

Submittal Data Sheet

Features

- Hinged double disc check valve.
- Removable center section (3 piece design) allows for easy field replacement (no cutting into pipe & recertification).
- Available in sizes ¾" to 4".
- Maximum 300 psig.
- Install in any position.
- Straight through configuration minimizes changes in flow velocity.
- Spring assisted closing ensures valve closes quickly, before reversal of flow.
- Dual ½ NPT purge ports.
- Factory brazed extensions allow for fast, lower cost field installation.
- 100% hydrostatically factory tested.
- Cleaned & individually bagged for use with Oxygen in accordance with CGA G-4.1.

Materials of Construction

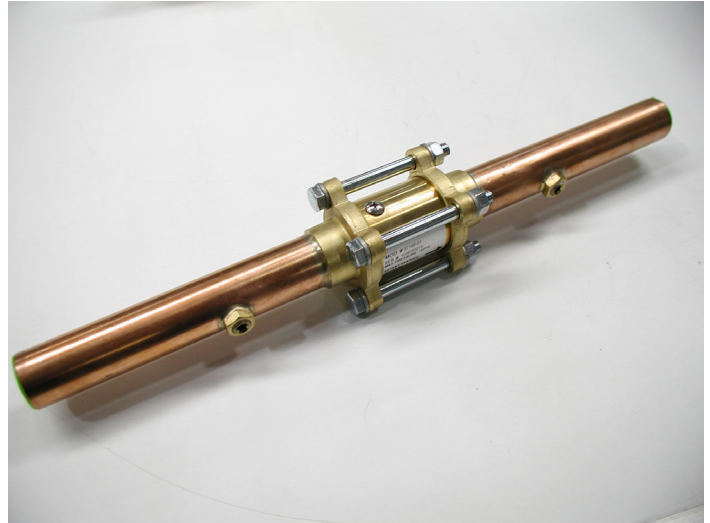
- Body – Brass B16 C360000.
- Flanges – Forged brass B124 C37700.
- Tubing is type K copper.
- Seal – EPDM.
- Spring – Steel AISI 316 Stainless Steel.

Specification

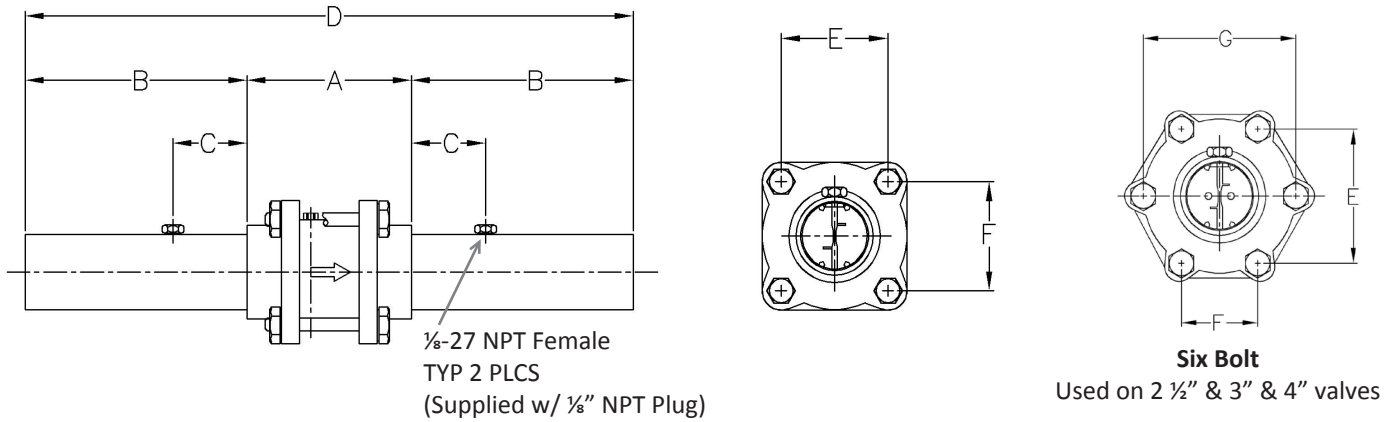
All check valves shall be Powerex CV-xxxEXT series and must be installed and tested in strict accordance with NFPA 99 standards and or any local codes before use.

The check valve shall be of a three-piece in-line repairable design with brazed extensions. Check valves with threaded ends are not acceptable. All valves shall be equipped with type K copper tubing extensions with two ½ NPT female gauge/purge ports (one on each side of the valve) to facilitate installation and allow monitoring of the pressure on either side of the check valve. The check valve shall be of the double disc hinged design with EPDM seals. Valves shall be rated at 300 psig working pressure.

The check valves shall be factory brazed and cleaned in accordance with CGA G-4.1, capped on both ends, sealed in a heavy duty plastic bag with a desiccant pouch, and include a label stating that the valve has been cleaned for use with oxygen per CGA-G4.1.



Dimensions



Note:

- Body Material – Brass B16 C36000.
- Flange Material – Forged Brass B124 C37700.
- Spring Material – Steel AISI 316 Stainless Steel.
- Braze Material – Braze Alloy BAg-34.
- Tubing is Type “K” Copper Tubing.
- Dimension “D” Tolerance ± .125.
- Max. Pressure 300 PSI.

Ordering Information

Size Valve	Part Number	Dimensions						
		A	B	C	D	E	F	G
1/2"	PX-CV-050EXT	3.21	6.00	2.00	15.21	1.43	1.43	–
3/4"	PX-CV-075EXT	3.21	6.00	2.00	15.21	1.43	1.43	–
1"	PX-CV-100EXT	3.72	6.00	2.00	15.72	1.62	1.62	–
1 1/4"	PX-CV-125EXT	4.06	6.00	2.00	16.06	2.00	2.00	–
1 1/2"	PX-CV-150EXT	4.45	6.00	2.00	16.45	2.25	2.25	–
2"	PX-CV-200EXT	5.18	6.00	2.00	17.18	2.86	2.86	–
2 1/2"	PX-CV-250EXT	6.10	6.00	2.00	18.10	4.28	2.47	4.94
3"	PX-CV-300EXT	6.76	6.00	2.00	18.78	4.77	2.75	5.51
4"	PX-CV-400EXT	8.56	6.00	2.00	20.56	6.46	3.73	7.46