

**Submittal Data Sheet**

**Description**

The Powerex 53-xxL (lug) and 53-xxW (wafer) Series Ductile Iron Butterfly Valves are ideal for use in Industrial and HVAC/Mechanical applications.

**Features**

- Sizes 2” through 6”.
- Compatible with ANSI 125# & 150# Flanges.
- ISO 5211 Top Plate Allows Choice of Apollo® Pneumatic Actuators and manual operators.
- Optional square drive shaft for direct mounting actuators (2”-6”).
- Conforms to MSS SP-67 & API 609.
- 53-XXL (lug) Series Suitable for End of Line Service to Rated Pressure.
- 3” -6” meet performance requirements of AWWA C-504.
- Pressure rating – 200 psig.



**Standard Materials**

Body            Ductile Iron ASTM A536  
 Bushings       PTFE  
 Stem Seal       Buna-N  
 Shaft            416 SS ASTM A276 Type 416

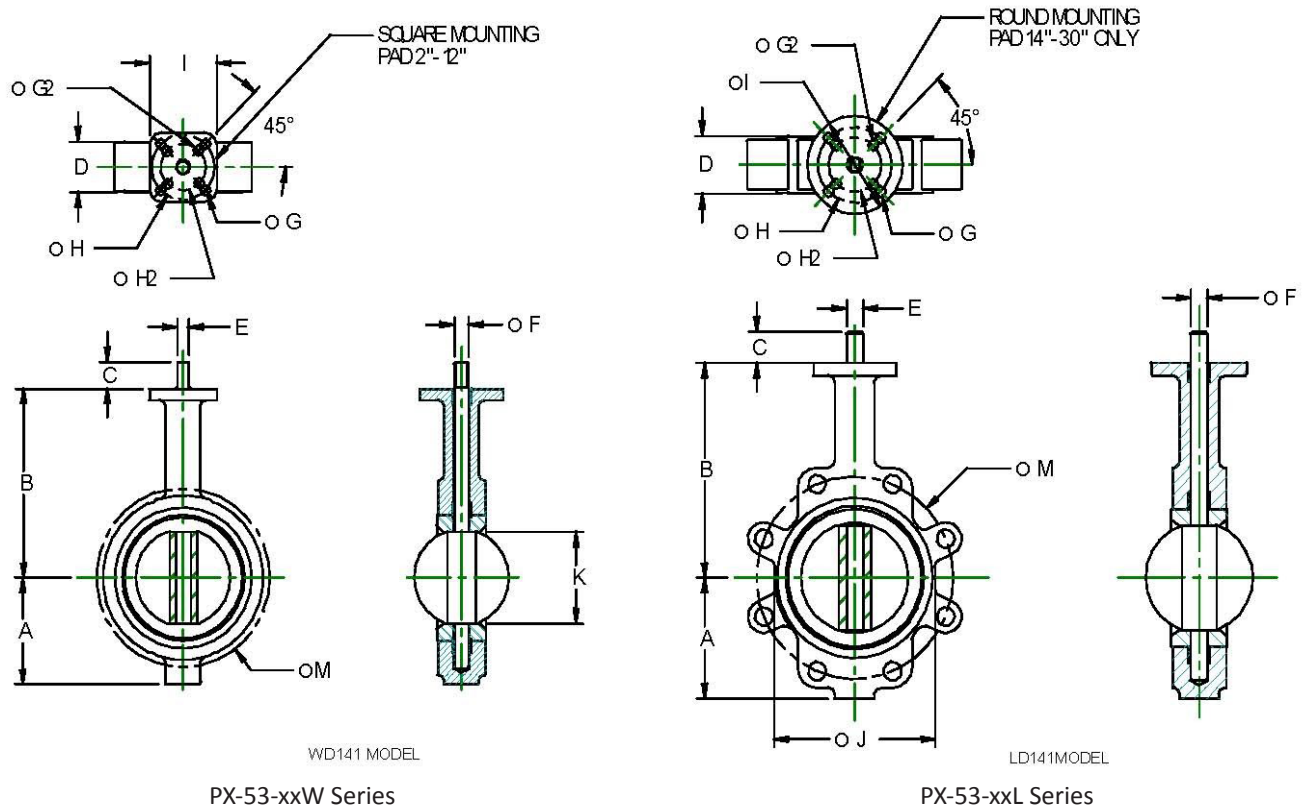
**Materials**

Body            Ductile Iron ASTM A536, (65-45-12)  
 Disc Material   Aluminum Bronze  
 Seat Material   BUNA-N: +10°F to +180°F  
 Operator        10 Position Handle

*TORQUE RATING (inch – lbs)												
Part Numbers		Valve Size		Fully Rated Pressures (psi)				Cv Full Open	Valve		Weight (lbs.)	
Lug	Wafer	IN	MM	ΔP 50	ΔP 100	ΔP 150	ΔP 200		IN	MM	53-xxW Series	53-xxL Series
PX-53-07L	PX-53-07W	2	50	100	106	111	117	115	2	50	6	9
PX-53-08L	PX-53-08W	2.5	65	150	163	176	189	196	2.5	65	8	10
PX-53-09L	PX-53-09W	3	80	207	220	232	244	302	3	80	9	11
PX-53-10L	PX-53-10W	4	100	290	323	357	390	600	4	100	11	18
PX-53-11L	PX-53-11W	5	125	423	481	540	598	1022	5	125	15	22
PX-53-12L	PX-53-12W	6	150	599	691	783	875	1579	6	150	18	26

\*Non-lubricating media service

Dimensions



Ordering Information

IN	MM	A	B	C	D	E	ØF	G	G2	KEY	H	H2	I	J	K	L	N (WD141)	M
2	50	3.25	6.375	1.25	1.75	0.394	0.496	0.375	-	-	2.756	-	2.699	4.00	2.09	1.113	0.688	4.75
2.5	65	3.75	6.880	1.25	1.88	0.394	0.496	0.375	-	-	2.756	-	2.699	4.75	2.54	1.706	0.688	5.50
3	80	4.00	7.130	1.25	1.88	0.394	0.496	0.375	-	-	2.756	-	2.699	5.13	3.09	2.450	0.688	6.00
4	100	4.88	7.880	1.25	2.13	0.472	0.621	0.375	-	-	2.756	-	2.699	6.75	4.09	3.488	0.688	7.50
5	125	5.38	8.380	1.25	2.25	0.551	0.745	0.375	-	-	2.756	-	2.699	7.75	4.85	4.296	0.813	8.50
6	150	5.88	8.880	1.25	2.25	0.551	0.745	0.375	-	-	2.756	-	2.699	8.63	6.13	5.697	0.813	9.50
8	200	7.13	10.250	1.75	2.50	0.669	0.870	0.563	0.438	-	4.921	4.015	4.606	10.56	7.89	7.468	0.813	11.75
10	250	8.25	11.500	1.88	2.75	0.866	1.120	0.563	0.438	-	4.921	4.015	4.606	13.06	9.89	9.484	0.938	14.25
12	300	9.75	13.250	1.88	3.13	0.866	1.244	0.563	-	-	4.921	-	4.606	16.00	11.89	11.456	0.938	17.00