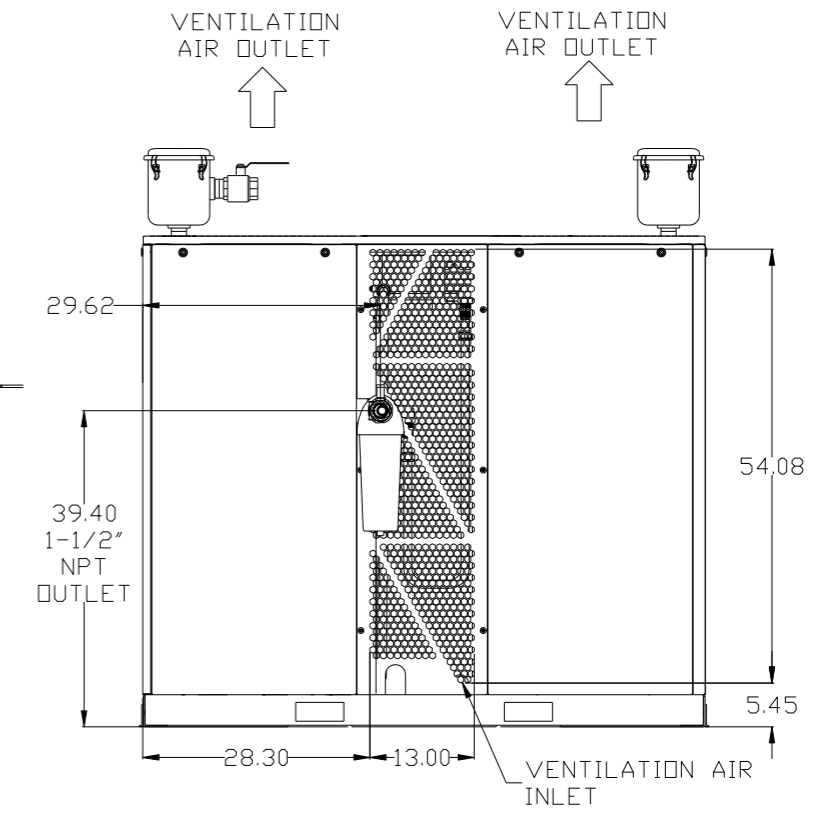
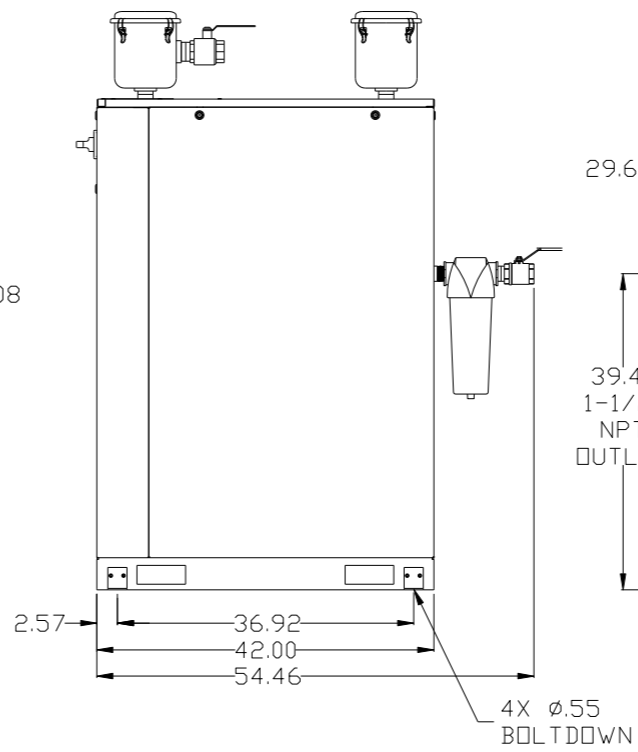
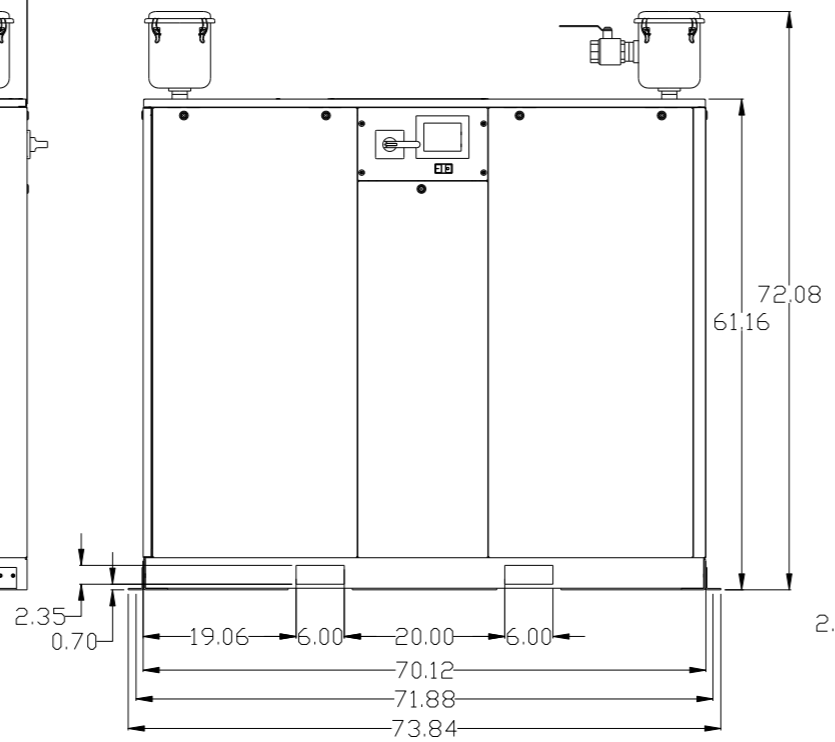
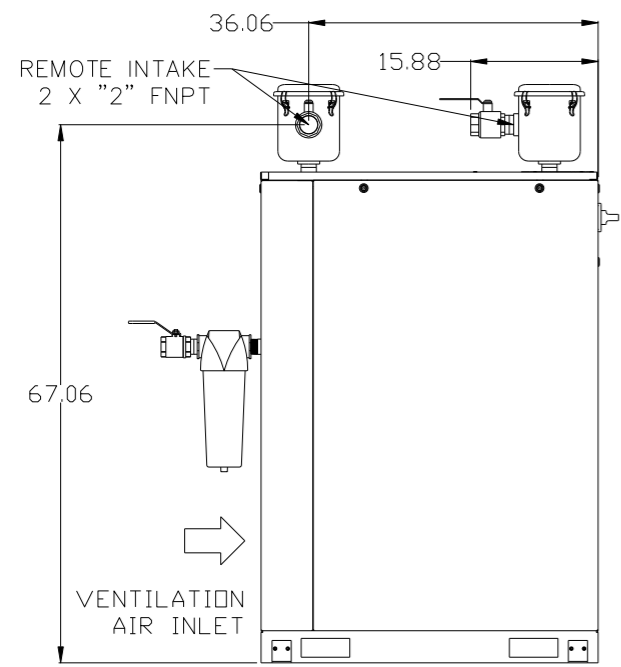
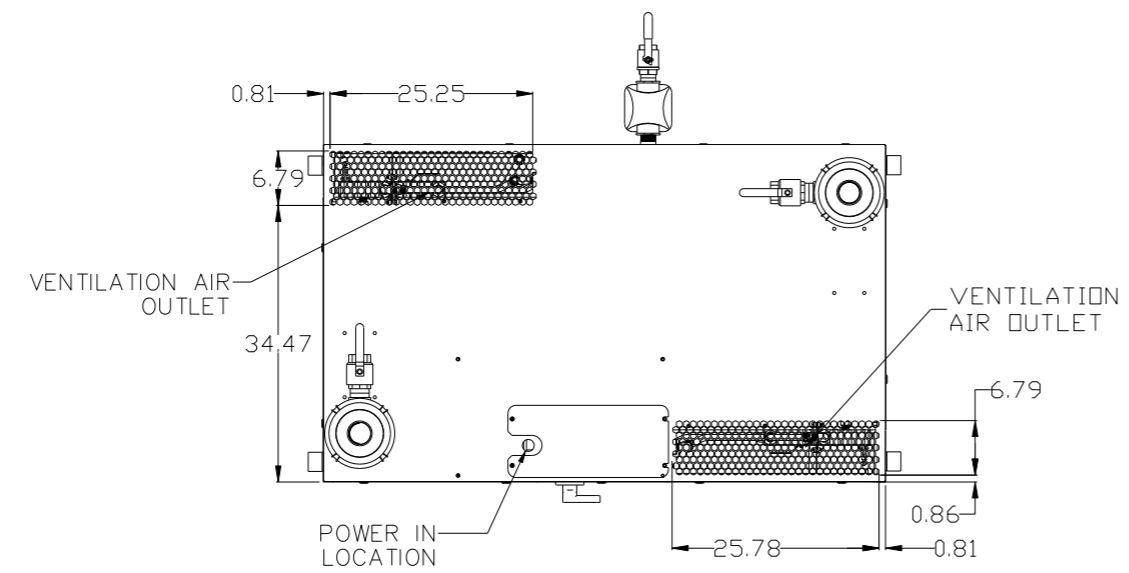


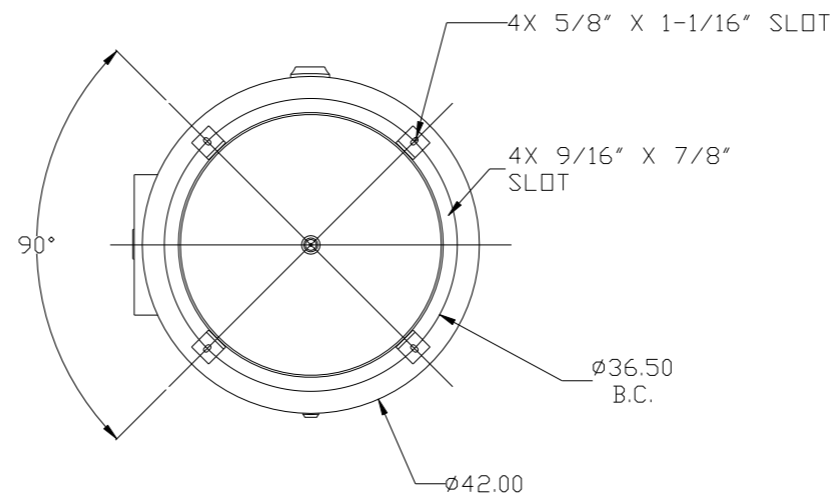
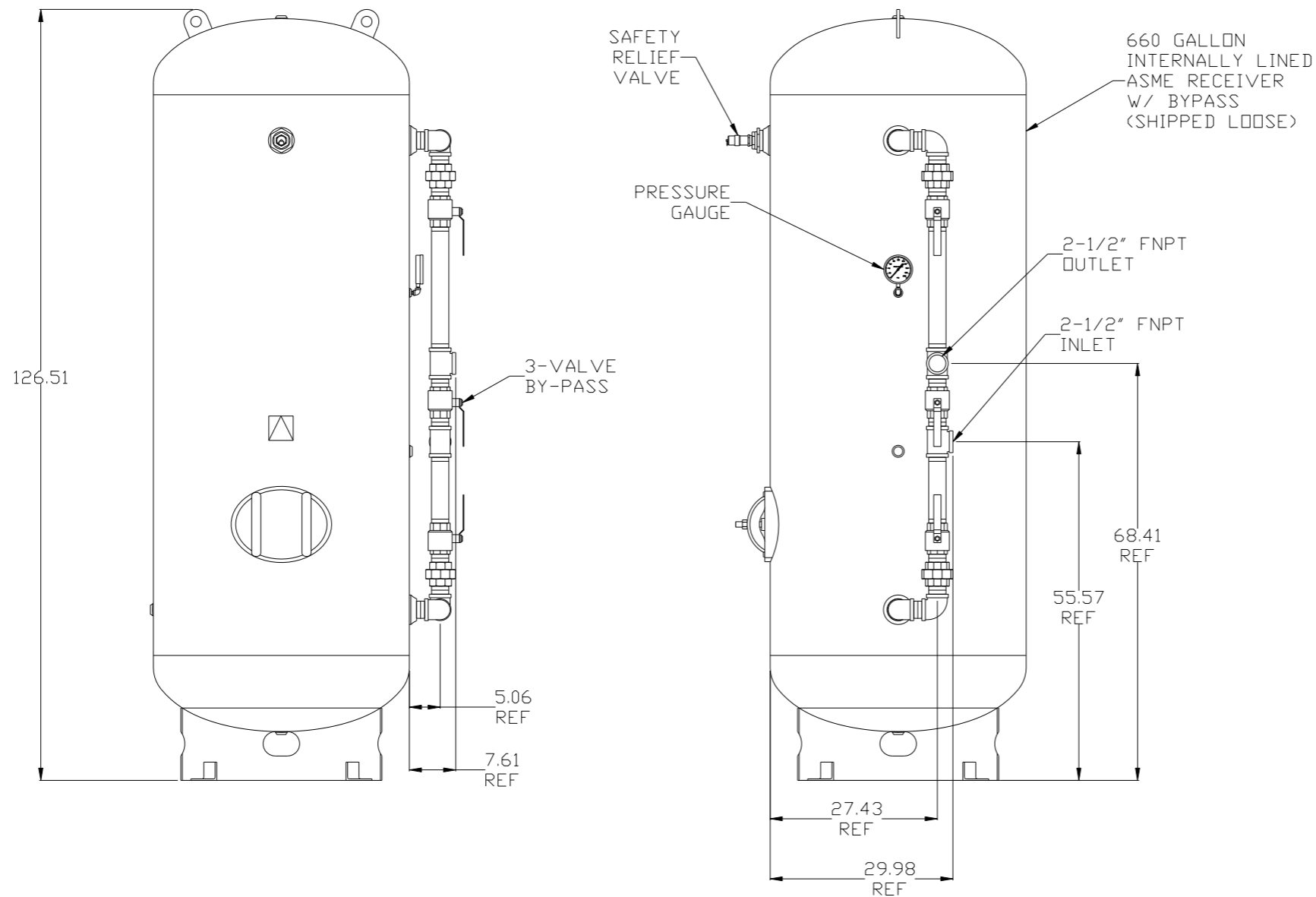
REV	ZONE	REVISION	DATE	ECN	NAME	CHKD
B-1	ALL	RELEASE TO PRODUCTION	12/8/16	PKE0180	RK	JA
B-2	1ALL 2ALL 3ALL 4ALL 5ALL	ADDED OUTLET SEPARATOR ADDED LINING TO TANK NOTE CHANGED TO NANO DRYERS CORRECTED FLOOR PLAN CORRECTED FLOW SCHEMATIC	2/2/17	PKE0180	GES	JA



- NOTES:
- 1) SHEET 1 - SCROLL ENCLOSURE LAYOUT  
SHEET 2 - RECEIVER LAYOUT  
SHEET 3 - AIR TREATMENT LAYOUT  
SHEET 4 - PLAN VIEW  
SHEET 5 - FLOW SCHEMATIC
  - 2) INLET CONNECTIONS: 2" FNPT X 8.
  - 3) OUTLET CONNECTION: 2-1/2" FNPT X 1.
  - 4) POWER CONNECTION : EACH ENCLOSURE: 1- 230, OR 460 VOLT.  
: ALTERNATION PANEL: 115V
  - 5) WHEN PACKAGE IS INSTALLED INTO THE FACILITY,  
VERIFY THE INSTALLER REFERENCES  
TABLE 110.26 (A) (1) FOR MINIMUM WORKING AREA.
  - 6.) DIRECTION OF THE INTAKE CONNECTIONS MAY BE MODIFIED  
AT INSTALLATION BY ADJUSTING THE PIPE THREAD CONNECTIONS.

SYMBOL LEGEND		= ADDITIONAL CONTROL REQ'D		Drawings to conform to the current revision of the following ANSI standards:	
⊖	MINUS DRAFT	⊕	PLUS DRAFT	⊖	BRINELL HARDNESS
TOLERANCES NOT SPECIFIED		AUTOCAD LT 2014		DO NOT SCALE DRAWING FOR DIMENSIONS	
.XX ±	.XXX ±	INCH		Sheet 1 of 5	SCALE 1:12
CONFIDENTIAL DISCLOSURE This drawing is the property of POWEREX, INC. of the SCOTT FETZER COMPANY and subject to return on demand. Its contents are confidential and must not be copied or submitted to outside parties for use or examination.					
DRAWN BY		CHECKED BY		APPROVED BY	
RK		JA		JA CT	
12/8/16		12/8/16		12/8/16 12/8/16	
MATERIAL		N/A		 150 PRODUCTION DRIVE, HARRISON, OHIO 45030 Ph: 888-769-7979 FAX: (513) 367-3125	
PART NAME		MEDICAL SCROLL		SIZE D	
		50HP QUADPLEX		DWG NO MSEQ50B8	

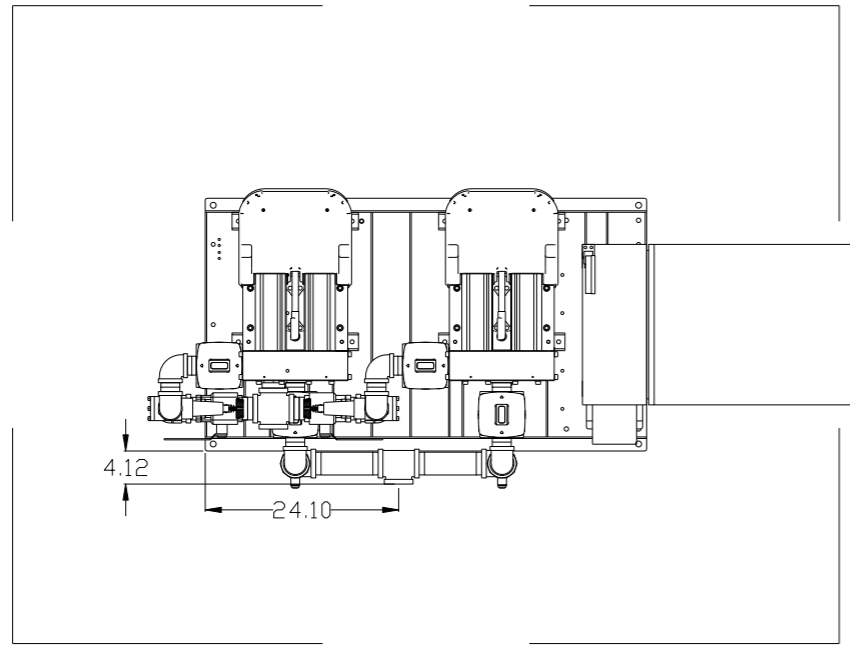
REV	ZONE	REVISION	DATE	ECN	NAME	CHKD
B-1	ALL	RELEASE TO PRODUCTION	12/8/16	PKEC0180	RK	JA
B-2	1ALL 3ALL 4ALL 5ALL	ADDED OUTLET SEPARATOR ADDED LINING TO TANK NOTE CHANGED TO NANO DRYERS CORRECTED FLOOR PLAN CORRECTED FLOW SCHEMATIC	2/2/17	PKEC0180	GES	JA



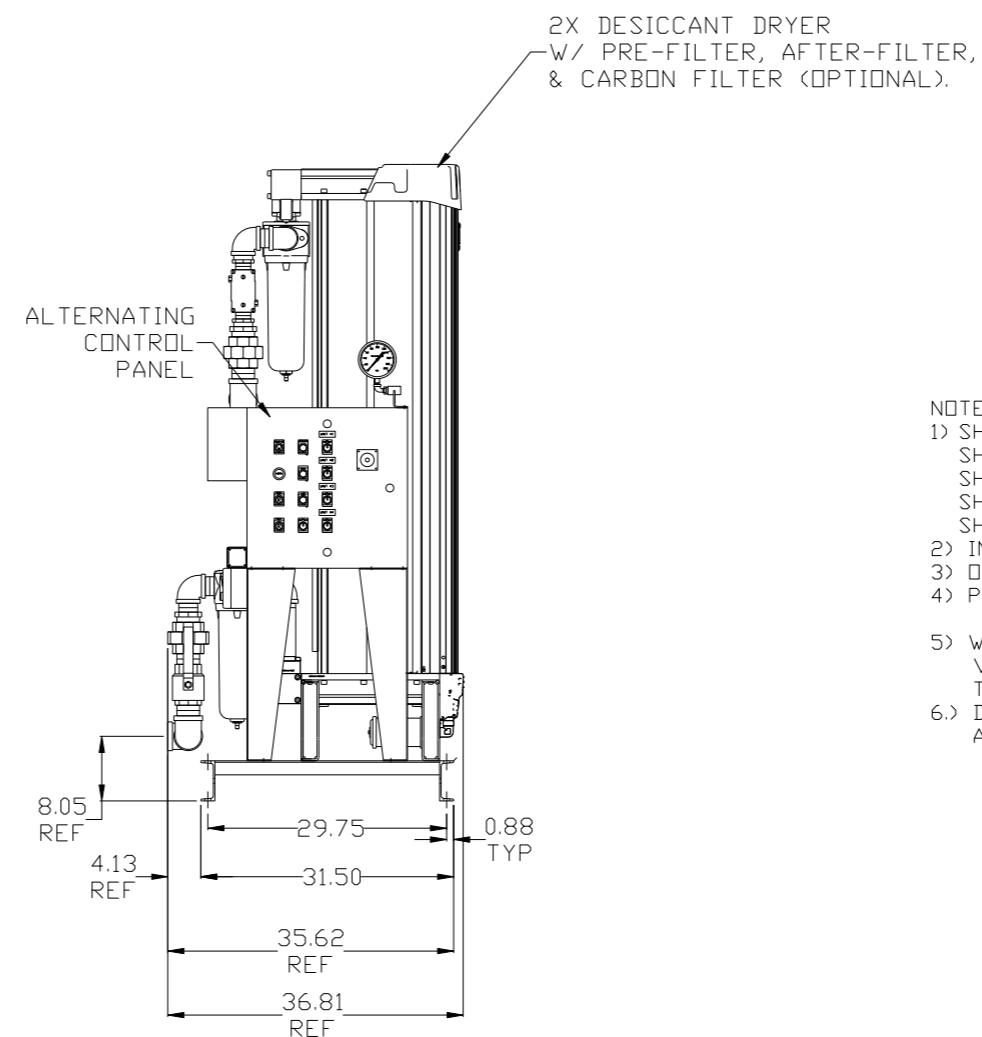
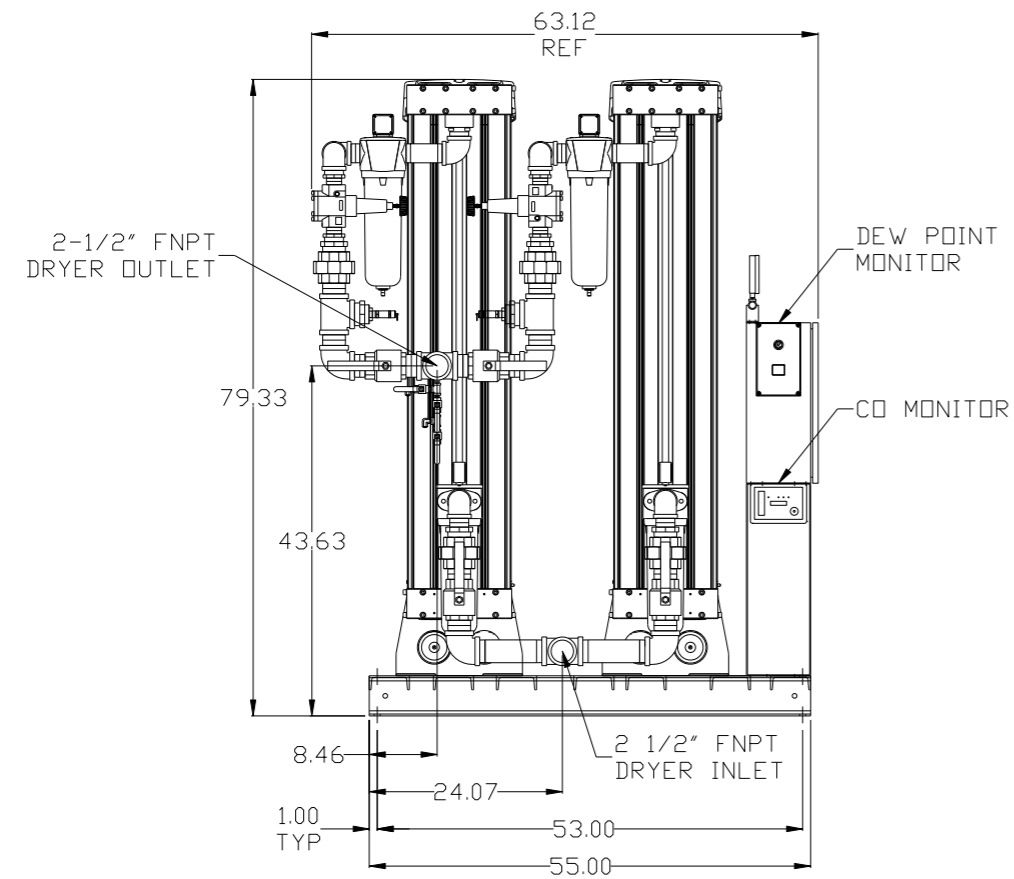
- NOTES:
- 1) SHEET 1 - SCROLL ENCLOSURE LAYOUT  
SHEET 2 - RECEIVER LAYOUT  
SHEET 3 - AIR TREATMENT LAYOUT  
SHEET 4 - PLAN VIEW  
SHEET 5 - FLOW SCHEMATIC
  - 2) INLET CONNECTIONS: 2" FNPT X 8.
  - 3) OUTLET CONNECTION: 2-1/2" FNPT X 1.
  - 4) POWER CONNECTION : EACH ENCLOSURE: 1- 230, OR 460 VOLT.  
: ALTERNATION PANEL: 115V
  - 5) WHEN PACKAGE IS INSTALLED INTO THE FACILITY,  
VERIFY THE INSTALLER REFERENCES  
TABLE 110.26 (A) (1) FOR MINIMUM WORKING AREA.
  - 6.) DIRECTION OF THE INTAKE CONNECTIONS MAY BE MODIFIED  
AT INSTALLATION BY ADJUSTING THE PIPE THREAD CONNECTIONS.

SYMBOL LEGEND ⊖ = MINUS DRAFT ⊕ = PLUS DRAFT		⊕ = ADDITIONAL CONTROL REQ'D HRC = BRINELL HARDNESS		Drawings to conform to the current revision of the following ANSI standards: Y14.3 Multi and sectional view dgs. Y14.5M Dimensioning and tolerancing	
TOLERANCES NOT SPECIFIED .XX ± .XXX ± <<DEG> ±		AUTOCAD LT 2014 INCH		DO NOT SCALE DRAWING FOR DIMENSIONS Sheet 2 of 5 SCALE 1:12	
CONFIDENTIAL DISCLOSURE This drawing is the property of POWEREX, INC. of the SCOTT FETZER COMPANY and subject to return on demand. Its contents are confidential and must not be copied or submitted to outside parties for use or examination.					
DRAWN BY RK		CHECKED BY JA		APPROVED BY ENGINEERING MFG/MRKTG JA CT	
MATERIAL N/A		DATE 12/8/16		DATE 12/8/16 12/8/16 12/8/16	
PART NAME MEDICAL SCROLL 50HP QUADPLEX		 150 PRODUCTION DRIVE, HARRISON, OHIO 45030 Ph: 888-769-7979 FAX: (513) 367-3125		DWG NO MSEQ50B8 SIZE D	

REV	ZONE	REVISION	DATE	ECN	NAME	CHKD
B-1	ALL	RELEASE TO PRODUCTION	12/8/16	PKE0180	RK	JA
B-2	1ALL 3ALL 4ALL 5ALL	ADDED OUTLET SEPARATOR ADDED LINING TO TANK NOTE CHANGED TO NANO DRYERS CORRECTED FLOOR PLAN CORRECTED FLOW SCHEMATIC	2/2/17	PKE0180	GES	JA



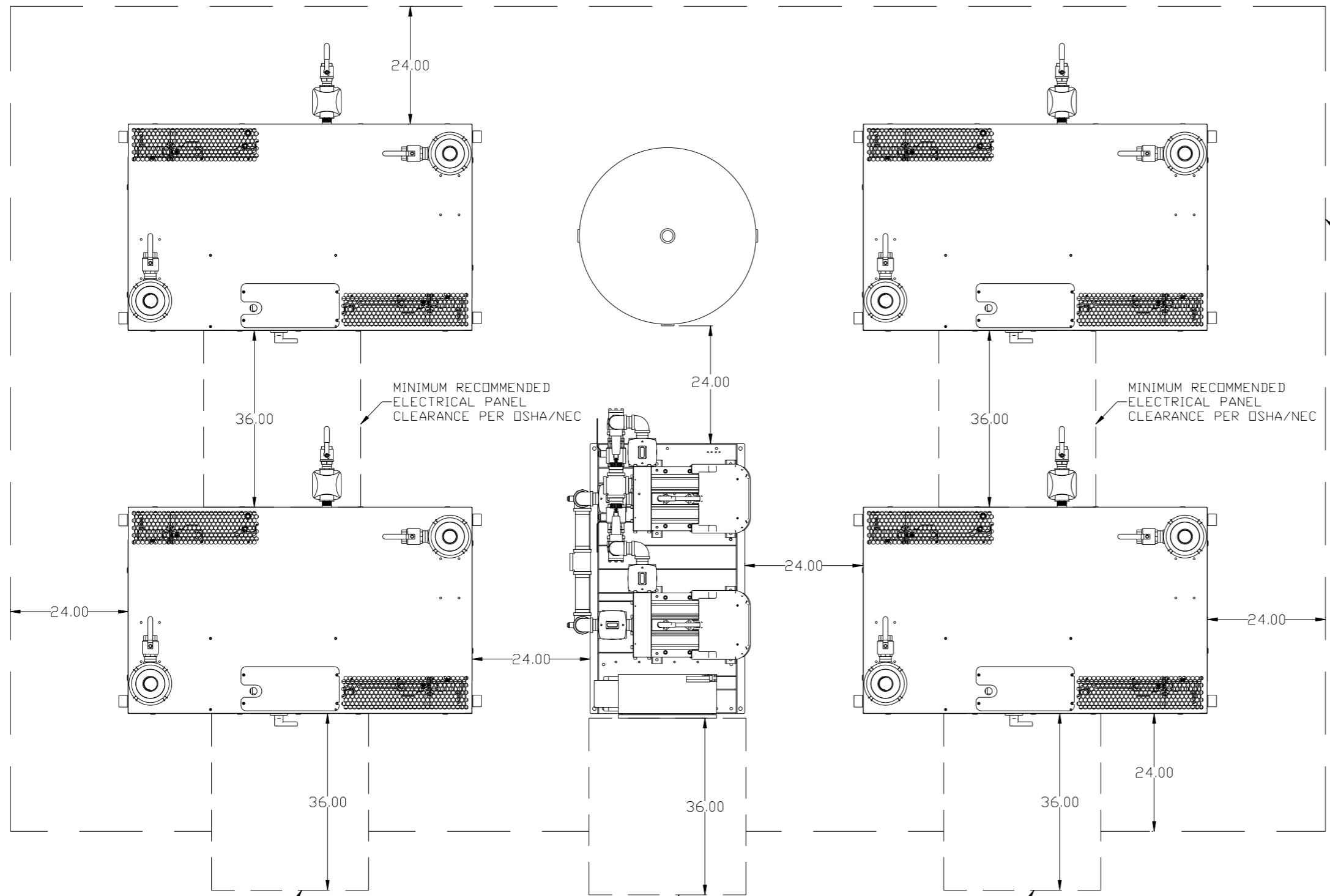
MINIMUM RECOMMENDED  
ELECTRICAL PANEL  
CLEARANCE PER OSHA/NEC



- NOTES:
- 1) SHEET 1 - SCROLL ENCLOSURE LAYOUT  
SHEET 2 - RECEIVER LAYOUT  
SHEET 3 - AIR TREATMENT LAYOUT  
SHEET 4 - PLAN VIEW  
SHEET 5 - FLOW SCHEMATIC
  - 2) INLET CONNECTIONS: 2" FNPT X 8.
  - 3) OUTLET CONNECTION: 2-1/2" FNPT X 1.
  - 4) POWER CONNECTION : EACH ENCLOSURE: 1- 230, OR 460 VOLT.  
: ALTERNATION PANEL: 115V
  - 5) WHEN PACKAGE IS INSTALLED INTO THE FACILITY,  
VERIFY THE INSTALLER REFERENCES  
TABLE 110.26 (A) (1) FOR MINIMUM WORKING AREA.
  - 6.) DIRECTION OF THE INTAKE CONNECTIONS MAY BE MODIFIED  
AT INSTALLATION BY ADJUSTING THE PIPE THREAD CONNECTIONS.

<b>SYMBOL LEGEND</b> ⊖ = MINUS DRAFT ⊕ = PLUS DRAFT .XX ± .XXX ± <math>\angle</math>(DEG) ±		= ADDITIONAL CONTROL REQ'D = BRINELL HARDNESS		Drawings to conform to the current revision of the following ANSI standards: Y14.3 Multi and sectional view dsgs. Y14.5M Dimensioning and tolerancing	
TOLERANCES NOT SPECIFIED .XX ± .XXX ± <math>\angle</math>(DEG) ±		AUTOCAD LT 2014 INCH		DO NOT SCALE DRAWING FOR DIMENSIONS Sheet 3 of 5 SCALE 1:12	
<b>CONFIDENTIAL DISCLOSURE</b> This drawing is the property of POWEREX, INC. of the SCOTT FETZER COMPANY and subject to return on demand. Its contents are confidential and must not be copied or submitted to outside parties for use or examination.					
DRAWN BY RK		CHECKED BY JA		APPROVED BY ENGINEERING MFG/MKTG JA CT	
MATERIAL N/A		DATE 12/8/16		DATE 12/8/16 12/8/16 12/8/16	
PART NAME MEDICAL SCROLL 50HP QUADPLEX		 150 PRODUCTION DRIVE, HARRISON, OHIO 45030 Ph: 888-769-7979 FAX: (513) 367-3125		DWG NO MSEQ50B8 SIZE D	

REV	ZONE	REVISION	DATE	ECN	NAME	CHKD
B-1	ALL	RELEASE TO PRODUCTION	12/8/16	PKEC0180	RK	JA
B-2	1ALL 3ALL 4ALL 5ALL	ADDED OUTLET SEPARATOR ADDED LINING TO TANK NOTE CHANGED TO NANO DRYERS CORRECTED FLOOR PLAN CORRECTED FLOW SCHEMATIC	2/2/17	PKEC0180	GES	JA



MINIMUM RECOMMENDED MAINTENANCE CLEARANCE

MINIMUM RECOMMENDED ELECTRICAL PANEL CLEARANCE PER OSHA/NEC

MINIMUM RECOMMENDED ELECTRICAL PANEL CLEARANCE PER OSHA/NEC

MINIMUM RECOMMENDED ELECTRICAL PANEL CLEARANCE PER OSHA/NEC

MINIMUM RECOMMENDED ELECTRICAL PANEL CLEARANCE PER OSHA/NEC

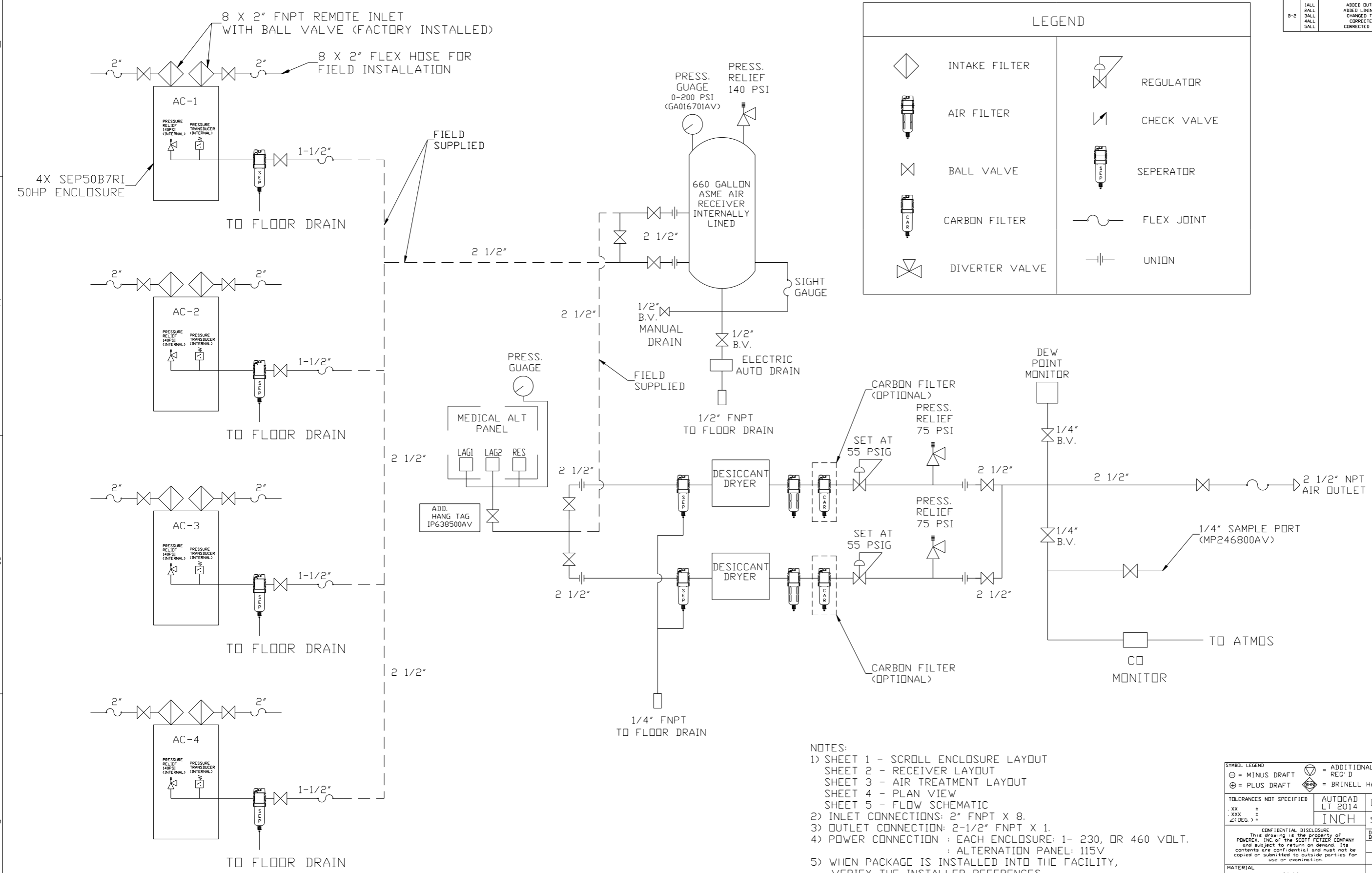
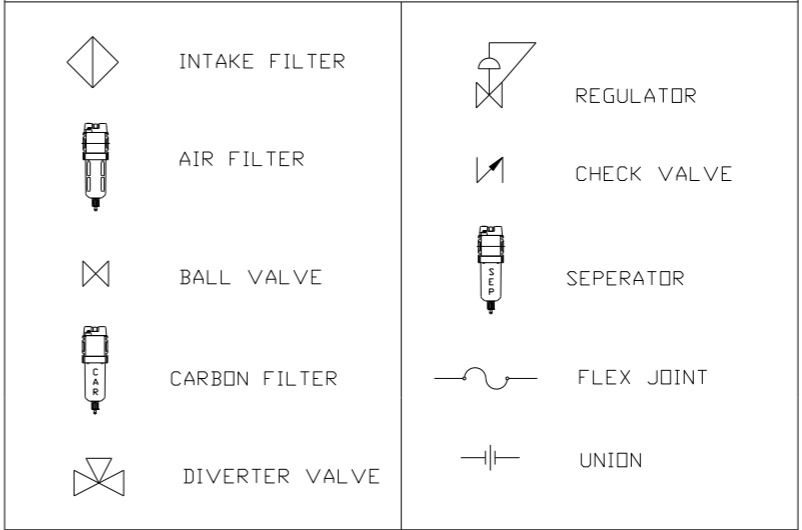
MINIMUM RECOMMENDED ELECTRICAL PANEL CLEARANCE PER OSHA/NEC

- NOTES:
- 1) SHEET 1 - SCROLL ENCLOSURE LAYOUT  
SHEET 2 - RECEIVER LAYOUT  
SHEET 3 - AIR TREATMENT LAYOUT  
SHEET 4 - PLAN VIEW  
SHEET 5 - FLOW SCHEMATIC
  - 2) INLET CONNECTIONS: 2" FNPT X 8.
  - 3) OUTLET CONNECTION: 2-1/2" FNPT X 1.
  - 4) POWER CONNECTION : EACH ENCLOSURE: 1- 230, OR 460 VOLT.  
: ALTERNATION PANEL: 115V
  - 5) WHEN PACKAGE IS INSTALLED INTO THE FACILITY, VERIFY THE INSTALLER REFERENCES TABLE 110.26 (A) (1) FOR MINIMUM WORKING AREA.
  - 6.) DIRECTION OF THE INTAKE CONNECTIONS MAY BE MODIFIED AT INSTALLATION BY ADJUSTING THE PIPE THREAD CONNECTIONS.

<b>SYMBOL LEGEND</b> ⊖ = MINUS DRAFT ⊕ = PLUS DRAFT ⊕ = ADDITIONAL CONTROL REQ'D HRC = BRINELL HARDNESS		Drawings to conform to the current revision of the following ANSI standards: Y14.3 Multi and sectional view dgs. Y14.5M Dimensioning and tolerancing
TOLERANCES NOT SPECIFIED .XX ± .XXX ± <DEG> ±	AUTOCAD LT 2014 INCH	DO NOT SCALE DRAWING FOR DIMENSIONS Sheet 4 of 5 SCALE 1:12
<b>CONFIDENTIAL DISCLOSURE</b> This drawing is the property of POWEREX, INC. of the SCOTT FETZER COMPANY and subject to return on demand. Its contents are confidential and must not be copied or submitted to outside parties for use or examination.		
<b>MATERIAL</b> N/A	<b>DRAWN BY</b> RK	<b>CHECKED BY</b> JA
<b>PART NAME</b> MEDICAL SCROLL 50HP QUADPLEX	<b>APPROVED BY</b> ENGINEERING MFG/MKTG JA CT	<b>DATE</b> 12/8/16 12/8/16 12/8/16 12/8/16
<b>DWG NO</b> MSEQ50B8	<b>SIZE</b> D	<b>SCALE</b> 1:12

REV	ZONE	REVISION	DATE	ECN	NAME	CHKD
B-1	ALL	RELEASE TO PRODUCTION	12/8/16	PKE0180	RK	JA
B-2	ALL	ADDED OUTLET SEPARATOR ADDED LINING TO TANK NOTE CHANGED TO NANO DRYERS CORRECTED FLOOR PLAN CORRECTED FLOW SCHEMATIC	2/2/17	PKE0180	GES	JA

LEGEND



- NOTES:
- 1) SHEET 1 - SCROLL ENCLOSURE LAYOUT  
SHEET 2 - RECEIVER LAYOUT  
SHEET 3 - AIR TREATMENT LAYOUT  
SHEET 4 - PLAN VIEW  
SHEET 5 - FLOW SCHEMATIC
  - 2) INLET CONNECTIONS: 2" FNPT X 8.
  - 3) OUTLET CONNECTION: 2-1/2" FNPT X 1.
  - 4) POWER CONNECTION : EACH ENCLOSURE: 1- 230, OR 460 VOLT.  
: ALTERNATION PANEL: 115V
  - 5) WHEN PACKAGE IS INSTALLED INTO THE FACILITY,  
VERIFY THE INSTALLER REFERENCES  
TABLE 110.26 (A) (1) FOR MINIMUM WORKING AREA.
  - 6.) DIRECTION OF THE INTAKE CONNECTIONS MAY BE MODIFIED  
AT INSTALLATION BY ADJUSTING THE PIPE THREAD CONNECTIONS.

SYMBOL LEGEND		= ADDITIONAL CONTROL REQ'D		Drawings to conform to the current revision of the following ANSI standards:	
= MINUS DRAFT		= BRINELL HARDNESS		Y14.3 Multi and sectional view dgs. Y14.5M Dimensioning and tolerancing	
TOLERANCES NOT SPECIFIED		AUTOCAD LT 2014		DO NOT SCALE DRAWING FOR DIMENSIONS	
.XX ±		INCH		Sheet 5 of 5	
.XXX ±				SCALE 1:12	
<math>\angle</math> (DEG) ±					
CONFIDENTIAL DISCLOSURE This drawing is the property of POWEREX, INC. of the SCOTT FETZER COMPANY and subject to return on demand. Its contents are confidential and must not be copied or submitted to outside parties for use or examination.					
DRAWN BY		CHECKED BY		APPROVED BY	
RK		JA		MFG/MRKTG	
12/8/16		12/8/16		12/8/16 12/8/16	
MATERIAL N/A					
PART NAME MEDICAL SCROLL					
50HP QUADPLEX					
DWG NO MSEQ50B8				SIZE D	