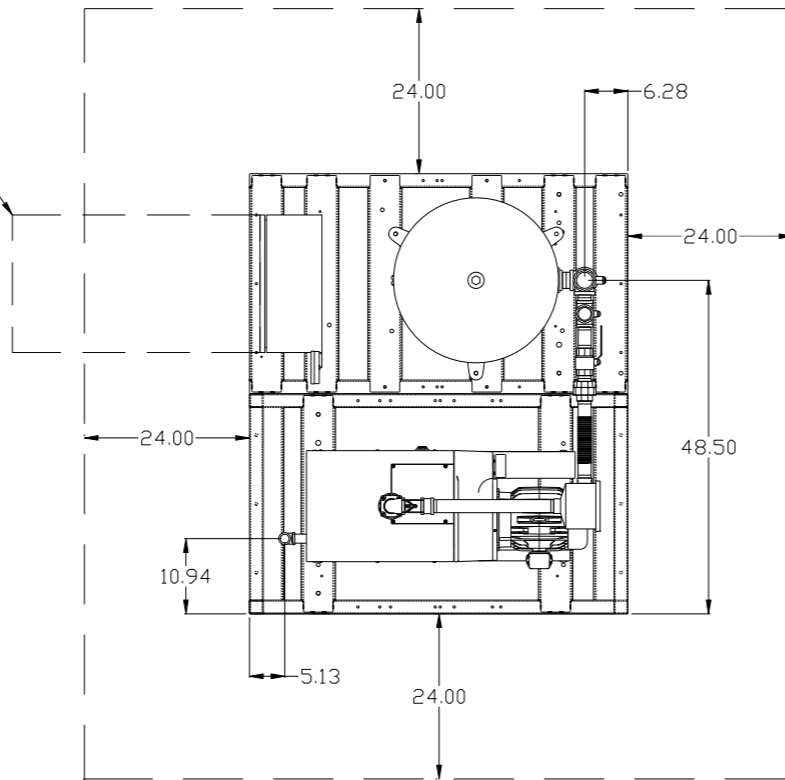


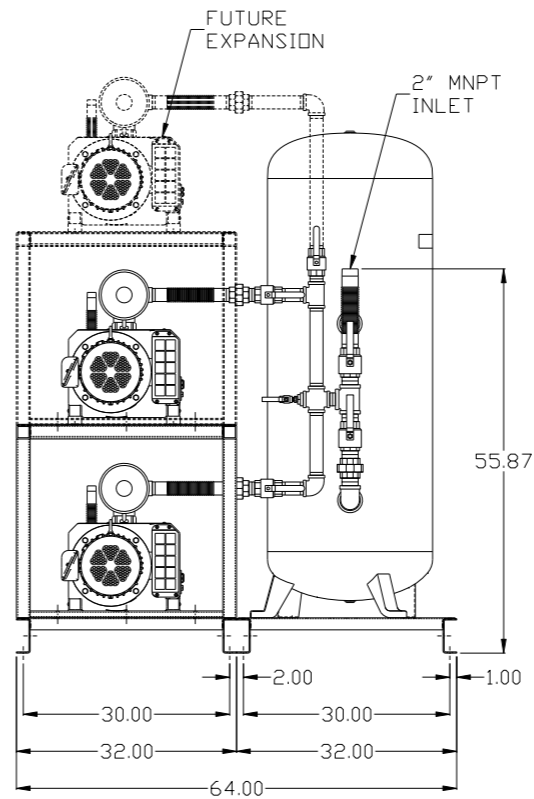
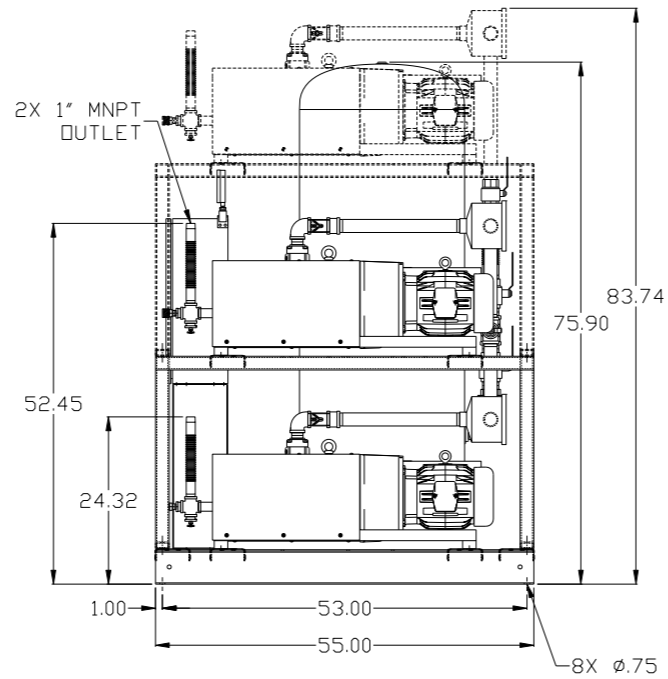
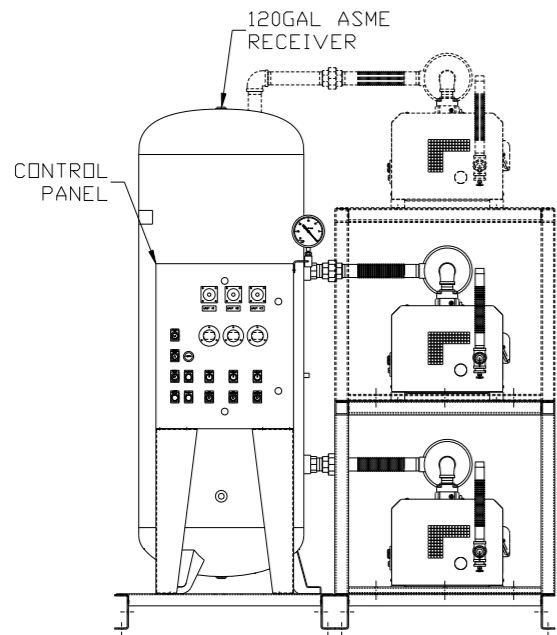
REV	ZONE	REVISION	DATE	ECN	NAME	CHKD
B-1	ALL	RELEASE TO PRODUCTION	12/29/16	PXEC0138	AEK	DMS

MINIMUM RECOMMENDED ELECTRICAL PANEL CLEARANCE PER OSHA/NEC REQUIREMENTS



MINIMUM RECOMMENDED MAINTENANCE CLEARANCE

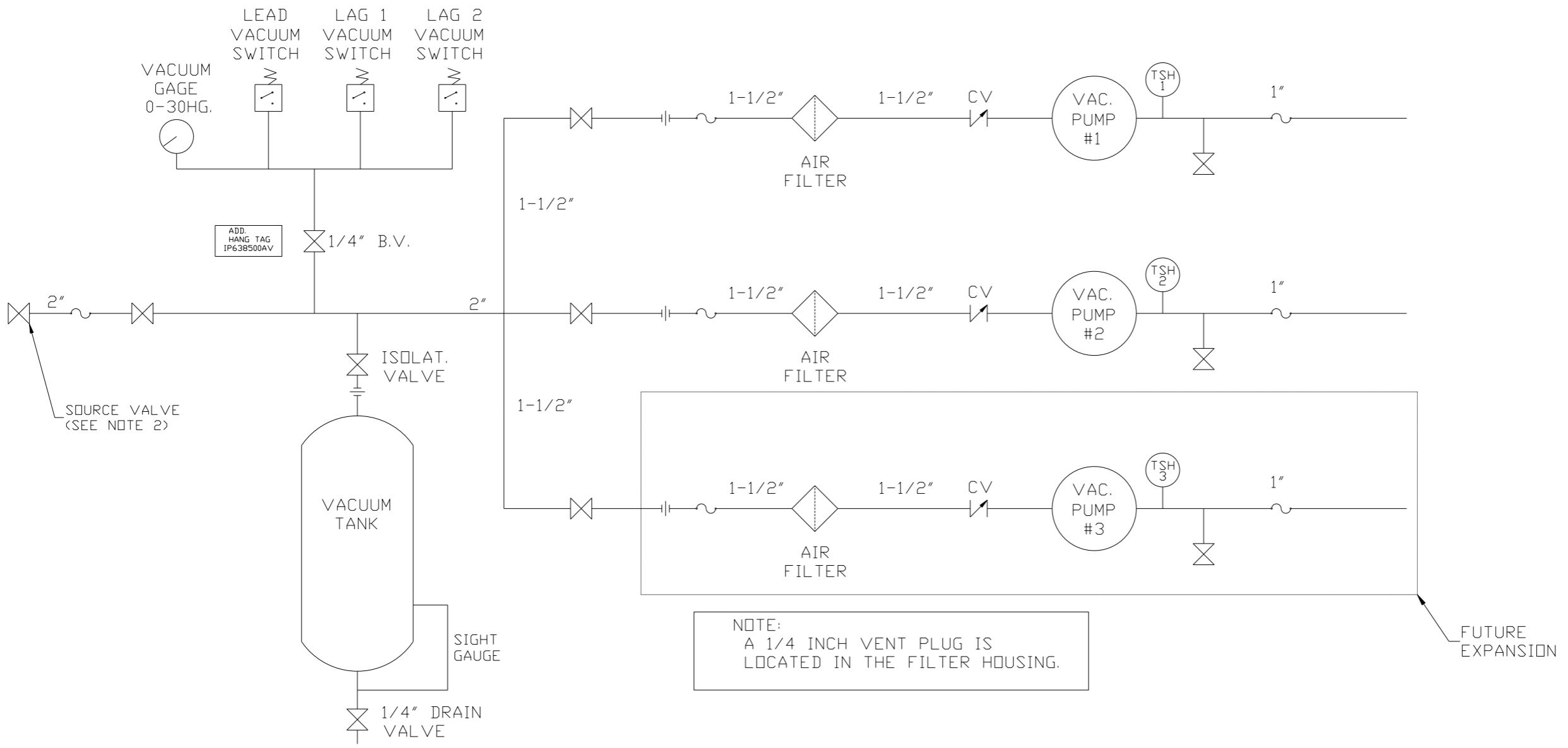
TOP FRAME & EXPANSION UNIT NOT SHOWN IN TOP VIEW FOR CLARITY



NOTE: SYSTEM DESIGNED IN COMPLIANCE WITH U.S. NFPA '99, LATEST EDITION.

SYMBOL LEGEND ⊖ = MINUS DRAFT ⊕ = PLUS DRAFT ⊕ = BRINELL HARDNESS		= ADDITIONAL CONTROL REQ'D = BRINELL HARDNESS		Drawings to conform to the current revision of the following ANSI standards: Y14.3 Multi and sectional view dsgs. Y14.5M Dimensioning and tolerancing
TOLERANCES NOT SPECIFIED .XX ± .XXX ± \angle (DEG) ±		AUTOCAD REL2014 LT INCH		DO NOT SCALE DRAWING FOR DIMENSIONS Sheet 1 of 2 SCALE 1:14
CONFIDENTIAL DISCLOSURE This drawing is the property of POWEREX, INC. of the SCOTT FETZER COMPANY and subject to return on demand. Its contents are confidential and must not be copied or submitted to outside parties for use or examination.		DRAWN BY AEK	CHECKED BY DMS	APPROVED BY ENGINEERING MFG/MKTG KMD RJR
MATERIAL N/A		12/29/16	12/29/16	12/29/16
PART NAME SHP CLAW VAC DUPLEX EXPANDABLE 120GAL		 150 PRODUCTION DRIVE, HARRISON, OHIO 45030 Ph: 888-769-7979 FAX: (513) 367-3125		DWG NO CVPD0504B-EX3 SIZE D

REV	ZONE	REVISION	DATE	ECN	NAME	CHKD
B-1	ALL	RELEASE TO PRODUCTION	12/29/16	PKC0138	AEK	DMS



NOTE:
A 1/4 INCH VENT PLUG IS
LOCATED IN THE FILTER HOUSING.

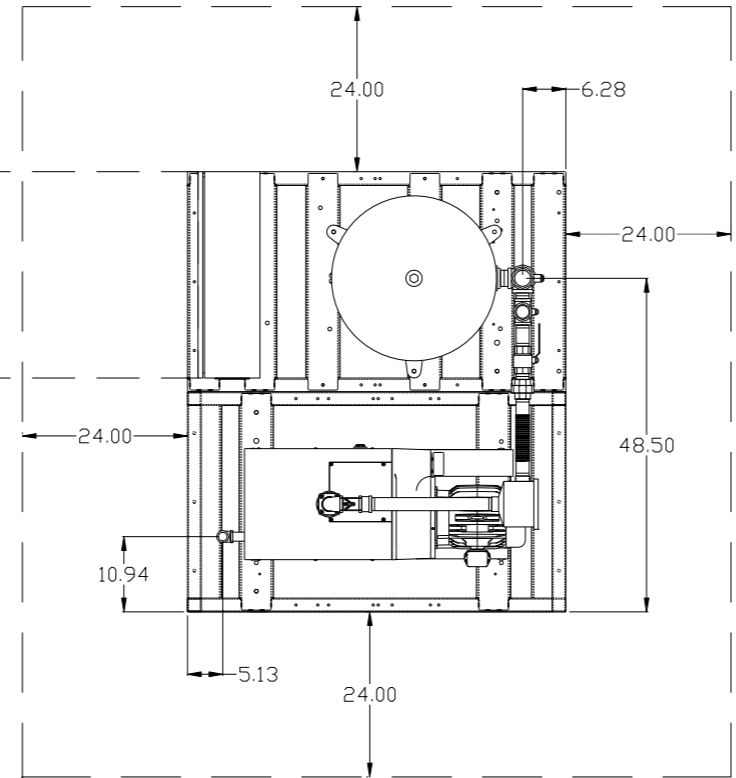
LEGEND	
	TEMP. SWITCH
	AIR FILTER
	BALL VALVE
	VACUUM SWITCH
	CHECK VALVE
	FLEX LINE
	UNION

NOTES:
1) TSH - TEMPERATURE SWITCH HIGH
2) PER NFPA THE SYSTEM WILL REQUIRE A SOURCE VALVE (SUPPLIED BY OTHERS).

SYMBOL LEGEND = MINUS DRAFT = PLUS DRAFT = ADDITIONAL CONTROL REQ'D = BRINELL HARDNESS		Drawings to conform to the current revision of the following ANSI standards: Y14.3 Multi and sectional view dsgs. Y14.5M Dimensioning and tolerancing															
TOLERANCES NOT SPECIFIED .XX ± .XXX ± \angle (DEG.) ±	AUTOCAD REL2014 LT INCH	DO NOT SCALE DRAWING FOR DIMENSIONS Sheet 2 of 2 SCALE 1: 14															
CONFIDENTIAL DISCLOSURE This drawing is the property of POWEREX, INC. of the SCOTT FETZER COMPANY and subject to return on demand. Its contents are confidential and must not be copied or submitted to outside parties for use or examination.																	
MATERIAL N/A	PART NAME TRIPLEX EXPANDABLE VAC PKG FLOW SCHEMATIC	<table border="1"> <tr> <th>DRAWN BY</th> <th>CHECKED BY</th> <th>APPROVED BY</th> <th>ENGINEERING</th> <th>MFG/MKTG</th> </tr> <tr> <td>AEK</td> <td>DMS</td> <td>KMD</td> <td>RJR</td> <td></td> </tr> <tr> <td>12/29/16</td> <td>12/29/16</td> <td>12/29/16</td> <td>12/29/16</td> <td>12/29/16</td> </tr> </table>	DRAWN BY	CHECKED BY	APPROVED BY	ENGINEERING	MFG/MKTG	AEK	DMS	KMD	RJR		12/29/16	12/29/16	12/29/16	12/29/16	12/29/16
DRAWN BY	CHECKED BY	APPROVED BY	ENGINEERING	MFG/MKTG													
AEK	DMS	KMD	RJR														
12/29/16	12/29/16	12/29/16	12/29/16	12/29/16													
DWG NO CVPD0504B-EX3		SIZE D															

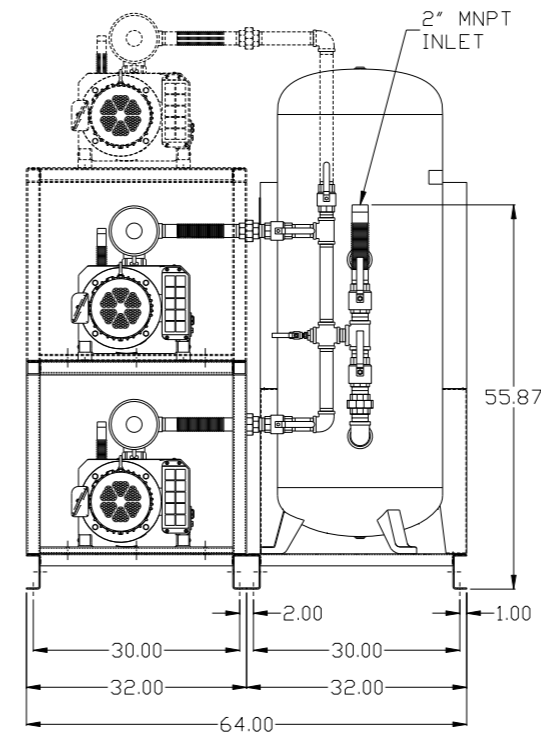
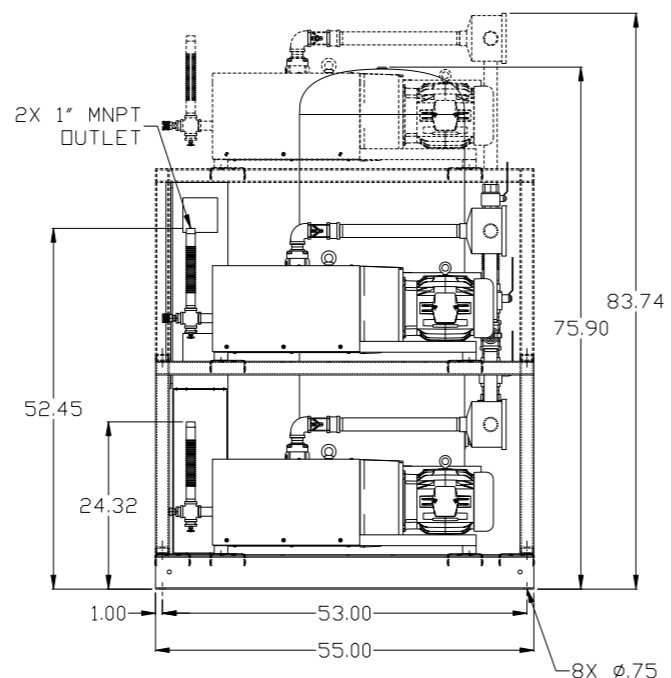
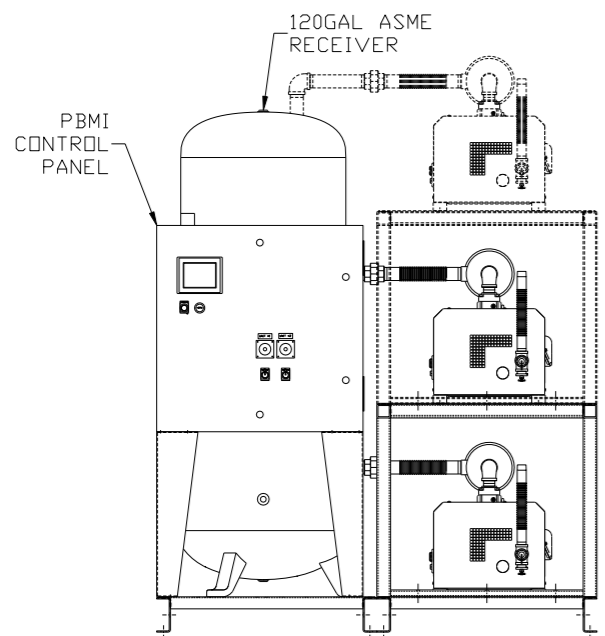
REV	ZONE	REVISION	DATE	ECN	NAME	CHKD
B-1	ALL	RELEASE TO PRODUCTION	12/29/16	PXEC0138	AEK	DMS

MINIMUM RECOMMENDED ELECTRICAL PANEL CLEARANCE PER OSHA/NEC REQUIREMENTS



MINIMUM RECOMMENDED MAINTENANCE CLEARANCE

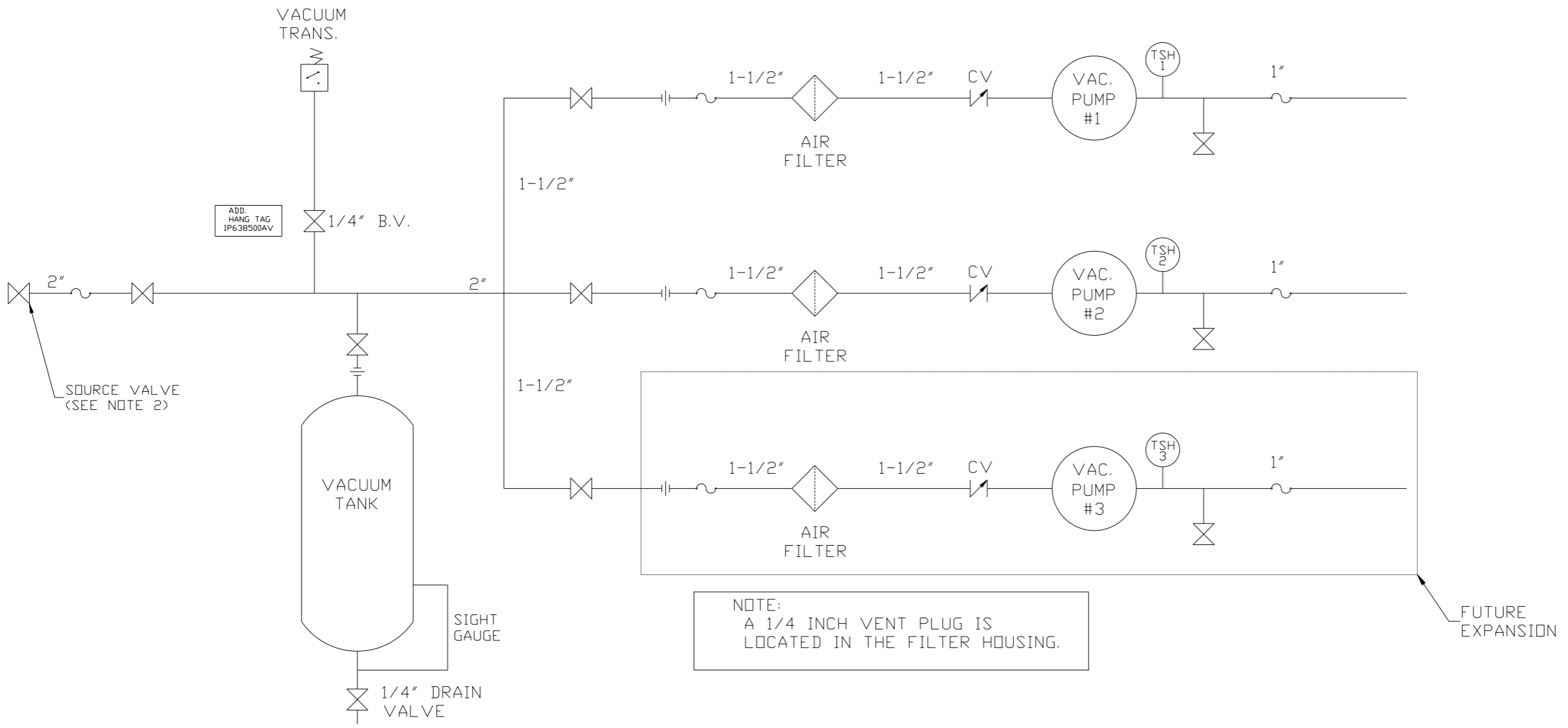
TOP FRAME & EXPANSION UNIT NOT SHOWN IN TOP VIEW FOR CLARITY



NOTE: SYSTEM DESIGNED IN COMPLIANCE WITH U.S. NFPA '99, LATEST EDITION.

SYMBOL LEGEND ⊖ = MINUS DRAFT ⊕ = PLUS DRAFT ⊕ = ADDITIONAL CONTROL REQ'D ⊕ = BRINELL HARDNESS		Drawings to conform to the current revision of the following ANSI standards: Y14.3 Multi and sectional view dsgs. Y14.5M Dimensioning and tolerancing	
TOLERANCES NOT SPECIFIED .XX ± .XXX ± \angle (DEG) ±		DO NOT SCALE DRAWING FOR DIMENSIONS Sheet 1 of 2 SCALE 1:14	
CONFIDENTIAL DISCLOSURE This drawing is the property of POWEREX, INC. of the SCOTT FEITZER COMPANY and subject to return on demand. Its contents are confidential and must not be copied or submitted to outside parties for use or examination.		AUTOCAD REL2014 LT INCH	
MATERIAL N/A		DRAWN BY AEK CHECKED BY DMS ENGINEERING KMD MFG/MKTG RJR 12/29/16 12/29/16 12/29/16 12/29/16	
PART NAME SHP CLAW VAC DUPLEX EXPANDABLE 120GAL		DWG NO CVPD0504B-EX3 SIZE D	

REV	ZONE	REVISION	DATE	ECN	NAME	CHKD
B-1	ALL	RELEASE TO PRODUCTION	12/29/16	PXEC0138	AEK	DMS



NOTE:
A 1/4 INCH VENT PLUG IS
LOCATED IN THE FILTER HOUSING.

LEGEND	
	TEMP. SWITCH
	AIR FILTER
	BALL VALVE
	VACUUM SWITCH
	CHECK VALVE
	FLEX LINE
	UNION

NOTES:
1) TSH - TEMPERATURE SWITCH HIGH
2) PER NFPA THE SYSTEM WILL REQUIRE A SOURCE VALVE (SUPPLIED BY OTHERS).

SYMBOL LEGEND = MINUS DRAFT = PLUS DRAFT = ADDITIONAL CONTROL REQ'D = BRINELL HARDNESS		Drawings to conform to the current revision of the following ANSI standards: Y14.3 Multi and sectional view dgs. Y14.5M Dimensioning and tolerancing
TOLERANCES NOT SPECIFIED .XX ± .XXX ± \angle (DEG) ±	AUTOCAD REL2014 LT INCH	DO NOT SCALE DRAWING FOR DIMENSIONS Sheet 2 of 2 SCALE 1: 14
CONFIDENTIAL DISCLOSURE This drawing is the property of POWEREX, INC. of the SCOTT FETZER COMPANY and subject to return on demand. Its contents are confidential and must not be copied or submitted to outside parties for use or examination.		
DRAWN BY AEK	CHECKED BY DMS	APPROVED BY ENGINEERING MFG/MKTG KMD RJR
MATERIAL N/A	DATE 12/29/16	DATE 12/29/16
PART NAME TRIPLEX EXPANDABLE VAC PKG	 150 PRODUCTION DRIVE, HARRISON, OHIO 45030 Ph: 888-769-7979 FAX: (513) 367-3125	DWG NO CVPD0504B-EX3
FLOW SCHEMATIC	SIZE D	CVPD0504B-EX3.dwg