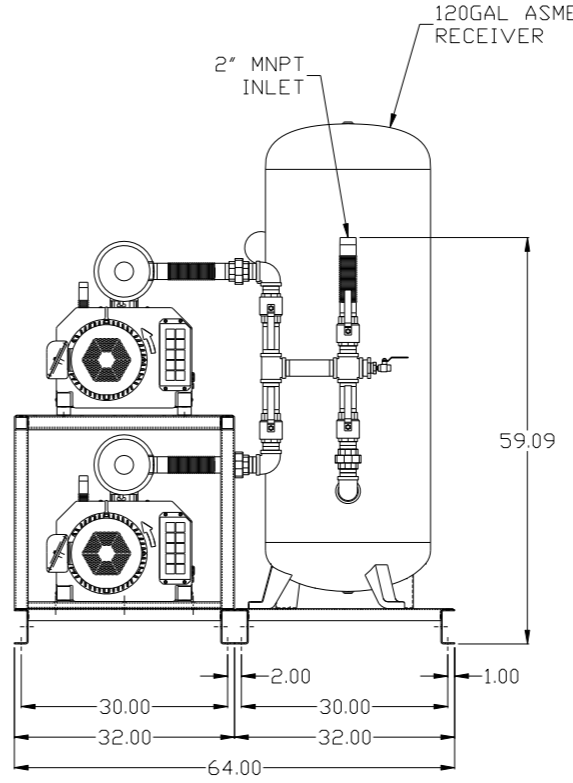
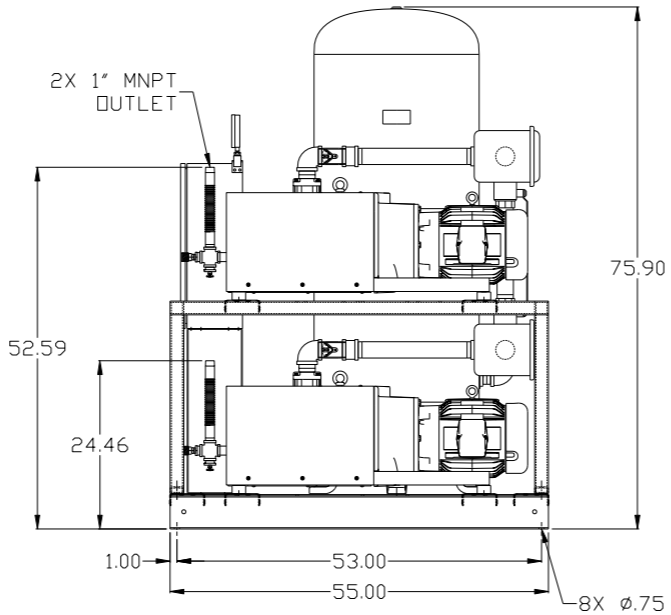
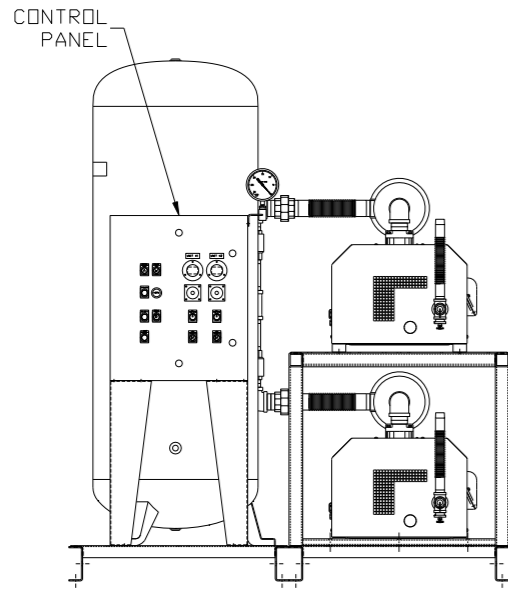
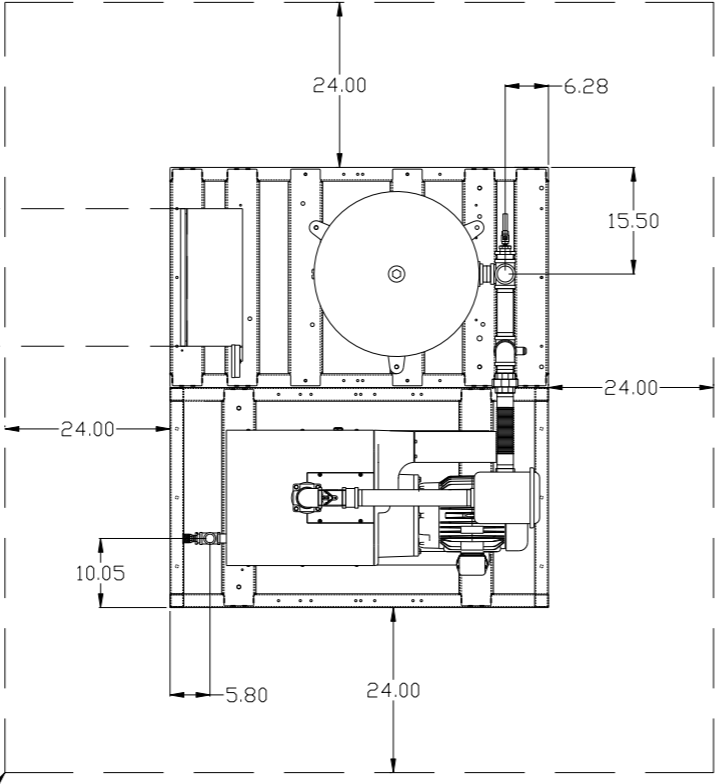


REV	ZONE	REVISION	DATE	ECN	NAME	CHKD
B-1	ALL	RELEASE TO PRODUCTION	2/8/08	21906	AEK	GES
C-1	2 B4	ADDED FILTER NOTE	3/6/08	21881	AEK	GES
C-2	ALL	ADDED PIPE SIZE TO FLOW, MOVED GAUGE TO PANEL	3/28/08	21881	AEK	GES
C-3	ALL	REMOVED SIGHT GAUGE FROM FLOW MOVED PUMPS TO OPPOSITE SIDE OF TANK SKID	4/18/08	21881	AEK	GES
D-1	1 ALL	REMOVED VACUUM SWITCHES FROM CONTROL PANEL	11/12/09	22127	AEK	GES
E-1	2 C3	ADDED DRIP LEGS	6/14/10	22390	AEK	DMS
F-1	3 ALL	ADDED SHEET 3, C.D.G.	7/20/10	22348	GES	DMS
G-1	2 B5 2 ALL	ADDED SIGHT GAUGE ADDED SOURCE VALVE INFORMATION	10/22/12	22723	AEK	DMS
H-1	4 ALL	ADDED SHEET 4 ADDED P&ID SHEETS	10/18/13	PXEC0030	AEK	GES
J-1	ALL	UPDATED TO PUMP WITH NEMA RATED MOTOR	8/3/16	PXEC0149	AEK	GES

MINIMUM RECOMMENDED
ELECTRICAL PANEL
CLEARANCE PER OSHA/NEC
REQUIREMENTS

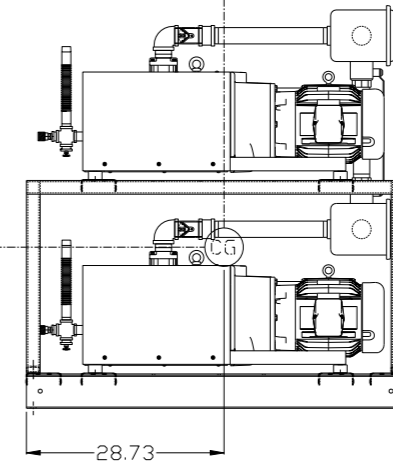
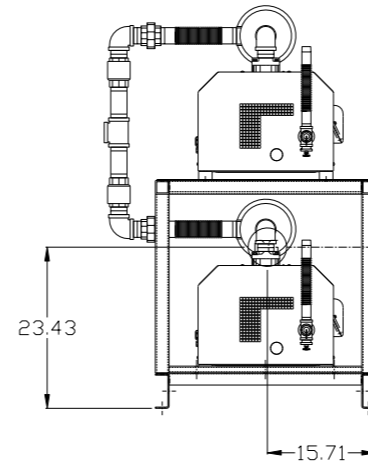
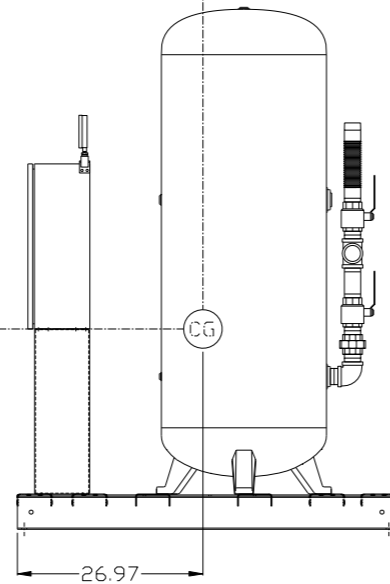
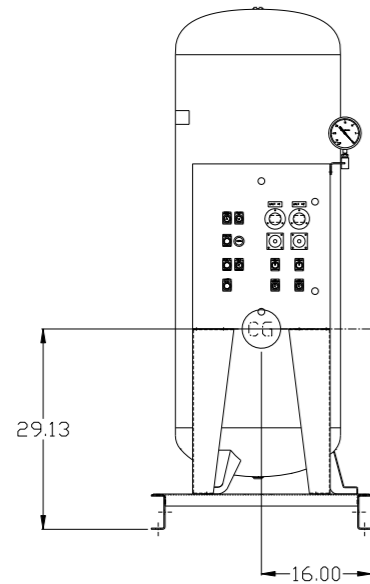
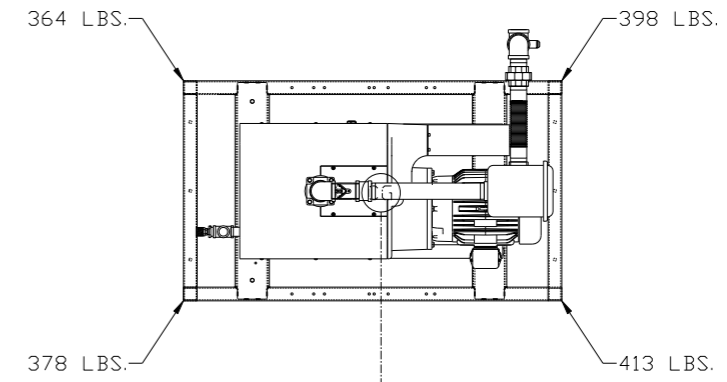
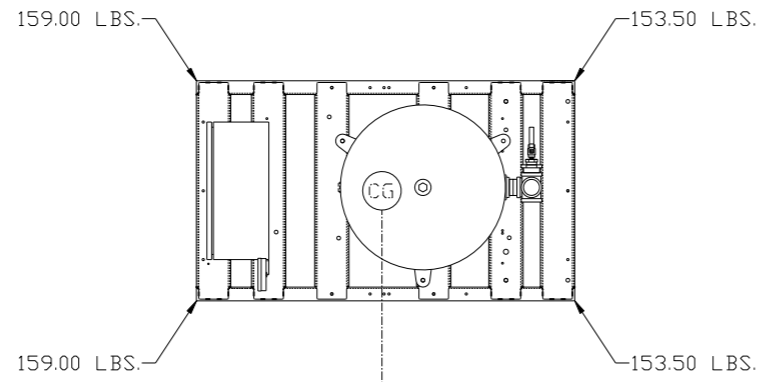
MINIMUM RECOMMENDED
MAINTENANCE CLEARANCE



NOTE: SYSTEM DESIGNED IN
COMPLIANCE WITH U.S. NFPA '99,
LATEST EDITION.

SYMBOL LEGEND ⊖ = MINUS DRAFT ⊕ = PLUS DRAFT Ⓢ = ADDITIONAL CONTROL REQ'D Ⓢ = BRINELL HARDNESS		Drawings to conform to the current revision of the following ANSI standards: Y14.3 Multi and sectional view dgs. Y14.5M Dimensioning and tolerancing	
TOLERANCES NOT SPECIFIED .XX ± .XXX ± \angle (DEG) ±		DO NOT SCALE DRAWING FOR DIMENSIONS AUTOCAD REL2008 LT INCH Sheet 1 of 4 SCALE 1:14	
CONFIDENTIAL DISCLOSURE This drawing is the property of POWEREX, INC. of the SCOTT FETZER COMPANY and subject to return on demand. Its contents are confidential and must not be copied or submitted to outside parties for use or examination.			
DRAWN BY AEK		CHECKED BY GES	
APPROVED BY DMS		MFG/MKTG RJR	
DATE 2/8/08		DATE 2/8/08	
MATERIAL N/A		POWEREX 150 PRODUCTION DRIVE, HARRISON, OHIO 45030 Ph: 888-769-7979 FAX: (513) 367-3125	
PART NAME 7.5HP CLAW VACUUM 120GAL. DUPLEX		DWG NO CVPD0754A SIZE D	

REV	ZONE	REVISION	DATE	ECN	NAME	CHKD
F-1	3 ALL	ADDED SHEET 3, C.O.G.	7/20/10	22348	GES	DMS
H-1	4 ALL	ADDED SHEET 4 ADDED PXMI SHEETS	10/18/13	PXEC0030	AEK	GES
J-1	ALL	UPDATED TO PUMP WITH NEMA RATED MOTOR	8/3/16	PXEC0149	AEK	GES



PANEL/RECEIVER SKID:

TOTAL WEIGHT: 625 LBS
 C.O.G. DIMENSIONS
 X (FRONT): -16"
 Y (RIGHT): 26.97"
 Z (HEIGHT): 29.13"

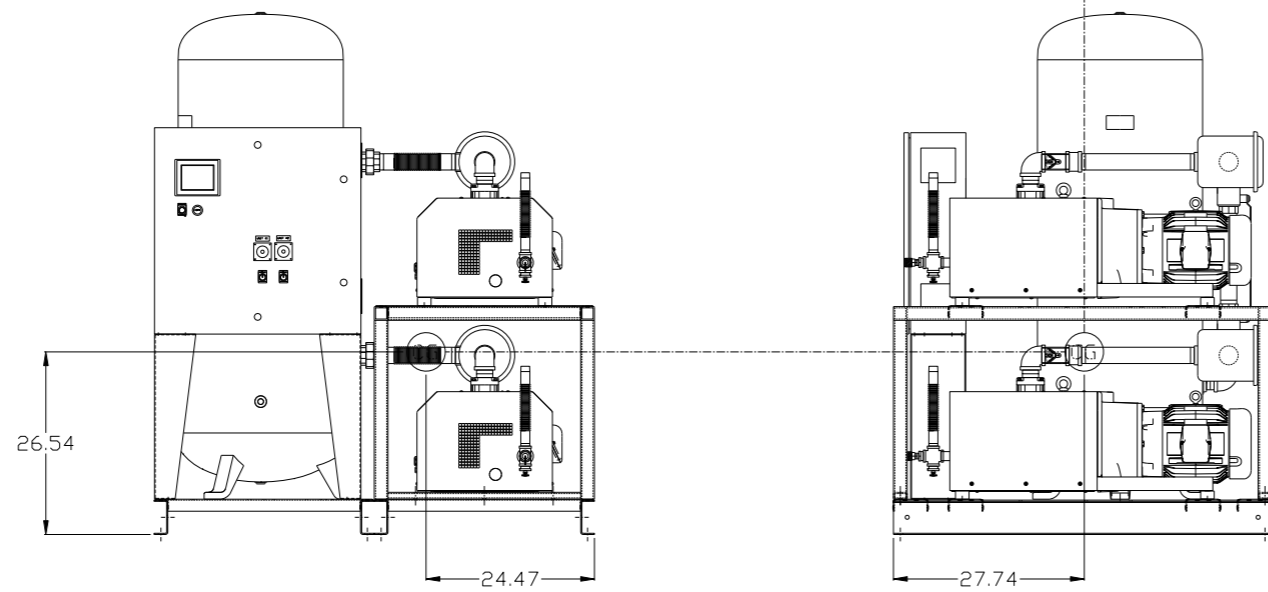
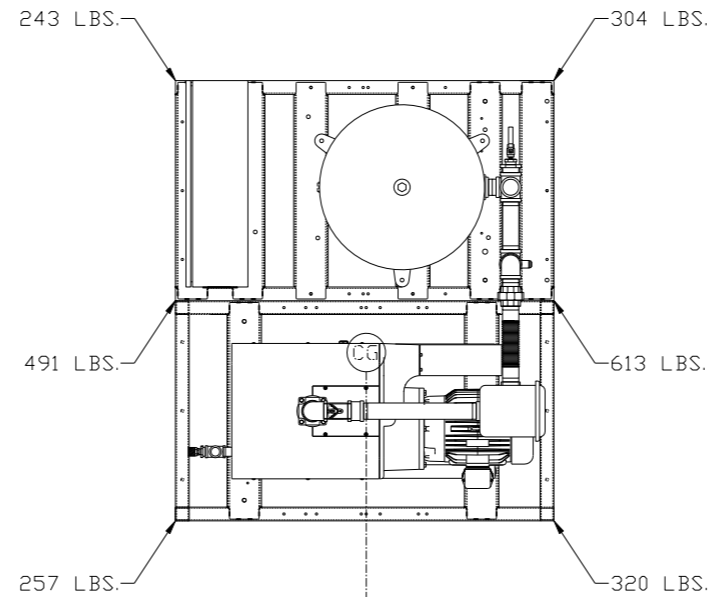
PUMP SKID:

TOTAL WEIGHT: 1553 LBS
 C.O.G. DIMENSIONS
 X (FRONT): -15.71"
 Y (RIGHT): 28.73"
 Z (HEIGHT): 23.43"

denotes center of gravity (CG)

SYMBOL LEGEND ⊖ = MINUS DRAFT ⊕ = PLUS DRAFT TOLERANCES NOT SPECIFIED .XX ± .XXX ± << DEG >> ±		= ADDITIONAL CONTROL REQ'D = BRINELL HARDNESS		Drawings to conform to the current revision of the following ANSI standards: Y14.3 Multi and sectional view dgs. Y14.5M Dimensioning and tolerancing
AUTOCAD REL2008 LT INCH		DO NOT SCALE DRAWING FOR DIMENSIONS Sheet 3 of 4 SCALE 1:14		
CONFIDENTIAL DISCLOSURE This drawing is the property of POWEREX, INC. of the SCOTT FEITZER COMPANY and subject to return on demand. Its contents are confidential and must not be copied or submitted to outside parties for use or examination.				
DRAWN BY GES		CHECKED BY DMS		
APPROVED BY GES		APPROVED BY TH		
DATE 7/20/10		DATE 7/20/10		
MATERIAL N/A		POWEREX 150 PRODUCTION DRIVE, HARRISON, OHIO 45030 Ph: 888-769-7979 FAX: (513) 367-3125		
PART NAME 7.5HP CLAW VACUUM 120GAL. DUPLEX		DWG NO CVPD0754A		
		SIZE D		

REV	ZONE	REVISION	DATE	ECN	NAME	CHKD
H-1	4 ALL	ADDED SHEET 4 ADDED P&MI SHEETS	10/18/13	PXEC0030	AEK	GES
J-1	ALL	UPDATED TO PUMP WITH NEMA RATED MOTOR	8/3/16	PXEC0149	AEK	GES



COMPLETE SYSTEM:

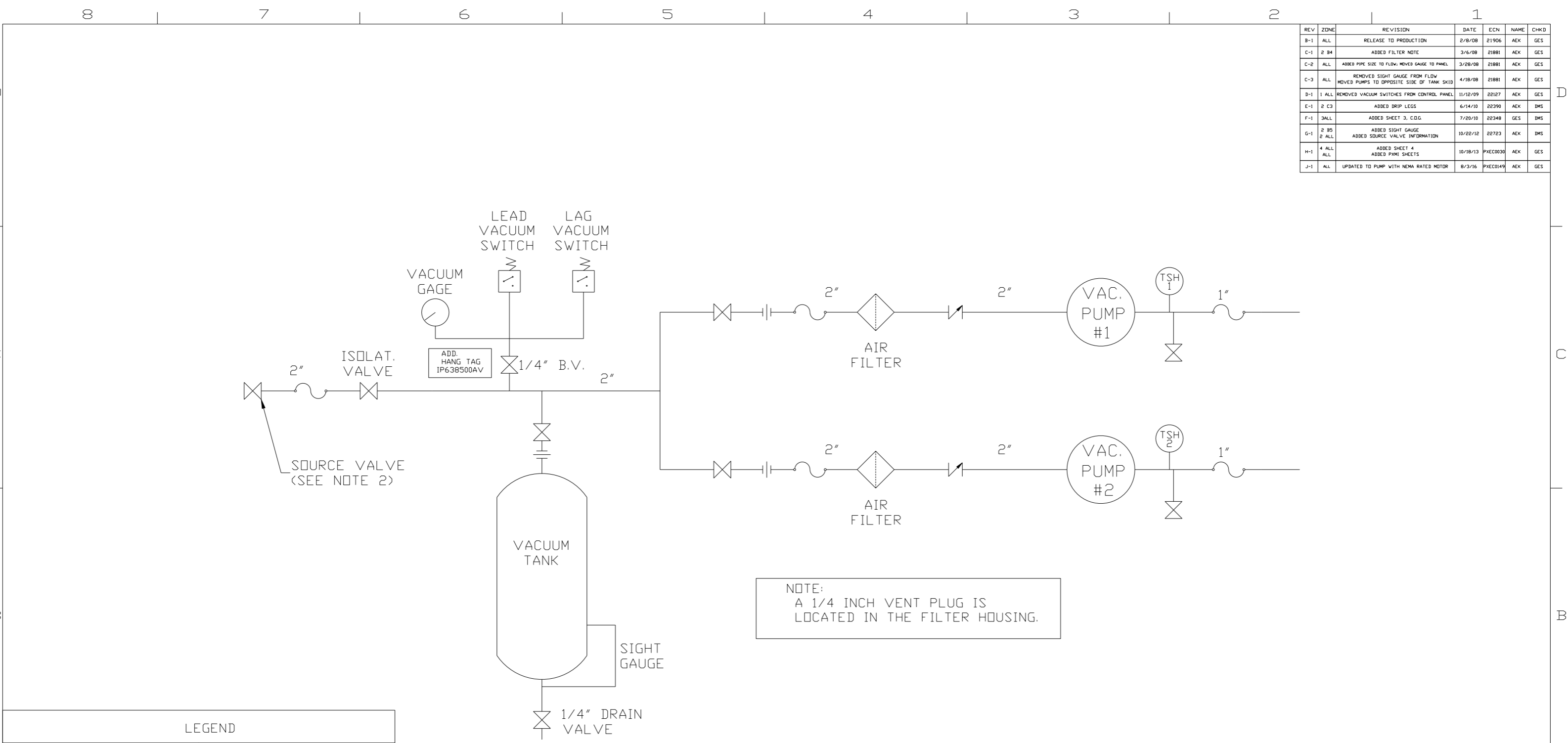
TOTAL WEIGHT: 2228 LBS
 C.O.G. DIMENSIONS
 X (FRONT): 24.47"
 Y (RIGHT): 27.74"
 Z (HEIGHT): 26.54"

denotes center of gravity (CG)

SYMBOL LEGEND ⊖ = MINUS DRAFT ⊕ = PLUS DRAFT TOLERANCES NOT SPECIFIED .XX ± .XXX ± <DEG. > ±		= ADDITIONAL CONTROL REQ'D = BRINELL HARDNESS		Drawings to conform to the current revision of the following ANSI standards: Y14.2 Multi- and sectional view dsgs Y14.5M Dimensioning and tolerancing	
AUTOCAD REL2008 LT INCH		DO NOT SCALE DRAWING FOR DIMENSIONS Sheet 4 of 4 SCALE 1: 14		DRAWN BY AEK	
CONFIDENTIAL DISCLOSURE This drawing is the property of POWEREX, INC. of the SCOTT FELTZER COMPANY and subject to return on demand. Its contents are confidential and must not be copied or submitted to outside parties for use or examination.		CHECKED BY GES		APPROVED BY DMS DFG 10/18/13 10/18/13 10/18/13 10/18/13	
MATERIAL N/A		PART NAME 7.5HP CLAW VACUUM 120GAL. DUPLEX		DWG NO CVPD0754A	



REV	ZONE	REVISION	DATE	ECN	NAME	CHKD
B-1	ALL	RELEASE TO PRODUCTION	2/8/08	21906	AEK	GES
C-1	2 B4	ADDED FILTER NOTE	3/6/08	21881	AEK	GES
C-2	ALL	ADDED PIPE SIZE TO FLOW, MOVED GAUGE TO PANEL	3/28/08	21881	AEK	GES
C-3	ALL	REMOVED SIGHT GAUGE FROM FLOW MOVED PUMPS TO OPPOSITE SIDE OF TANK SKID	4/18/08	21881	AEK	GES
D-1	1 ALL	REMOVED VACUUM SWITCHES FROM CONTROL PANEL	11/12/09	22127	AEK	GES
E-1	2 C3	ADDED DRIP LEGS	6/14/10	22390	AEK	DMS
F-1	3 ALL	ADDED SHEET 3, C.D.G.	7/20/10	22348	GES	DMS
G-1	2 B5 2 ALL	ADDED SIGHT GAUGE ADDED SOURCE VALVE INFORMATION	10/22/12	22723	AEK	DMS
H-1	4 ALL	ADDED SHEET 4 ADDED P&ID SHEETS	10/18/13	PXEC0030	AEK	GES
J-1	ALL	UPDATED TO PUMP WITH NEMA RATED MOTOR	8/3/16	PXEC0149	AEK	GES



NOTE:
A 1/4 INCH VENT PLUG IS
LOCATED IN THE FILTER HOUSING.

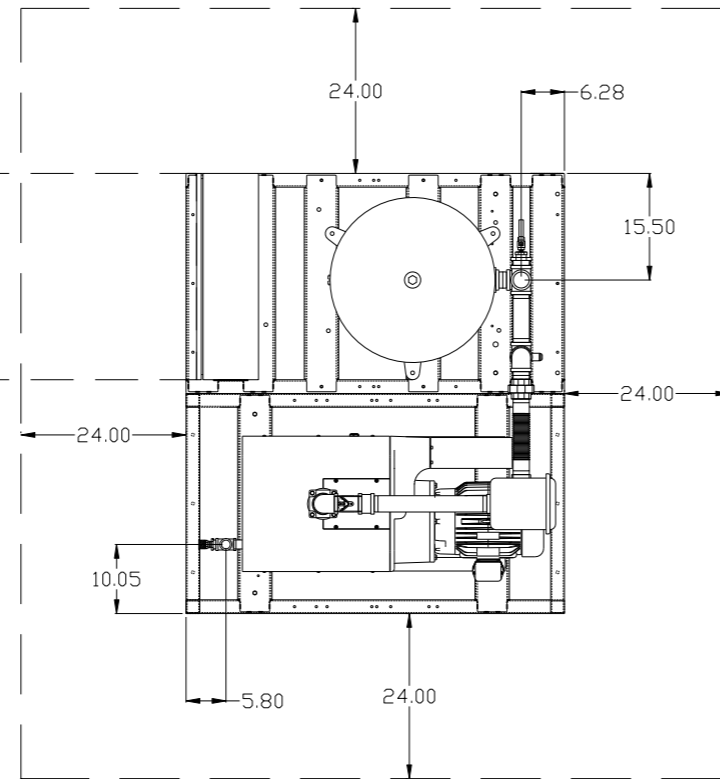
LEGEND	
	TEMP. SWITCH
	LOW OIL LEVEL SW.
	AIR FILTER
	BALL VALVE
	VACUUM SWITCH
	CHECK VALVE
	FLEX LINE
	UNION

NOTES:
1) TSH - TEMPERATURE SWITCH HIGH
2) PER NFPA THE SYSTEM WILL REQUIRE A SOURCE VALVE (SUPPLIED BY OTHERS).

SYMBOL LEGEND			= ADDITIONAL CONTROL REQ'D	Drawings to conform to the current revision of the following ANSI standards:
	= MINUS DRAFT		= BRINELL HARDNESS	Y14.3 Multi and sectional view dgs. Y14.5M Dimensioning and tolerancing
TOLERANCES NOT SPECIFIED		AUTOCAD REL2008 LT	DO NOT SCALE DRAWING FOR DIMENSIONS	
.XX ±	.XXX ±	INCH	Sheet 2 of 4	SCALE 1:14
CONFIDENTIAL DISCLOSURE This drawing is the property of POWEREX, INC. or the SCOTT FETZER COMPANY and subject to return on demand. Its contents are confidential and must not be copied or submitted to outside parties for use or examination.		DRAWN BY AEK	CHECKED BY GES	APPROVED BY ENGINEERING MFG/MRKTG DMS RJR
MATERIAL N/A		2/8/08	2/8/08	2/8/08 2/8/08
PART NAME CLAW VAC DUPLEX FLOW SCHEMATIC				SIZE D
		DWG NO CVPD0754A		

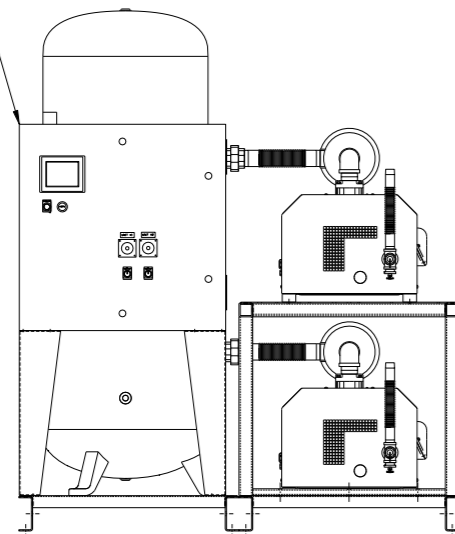
REV	ZONE	REVISION	DATE	ECN	NAME	CHKD
H-1	4 ALL	ADDED SHEET 4 ADDED P&MI SHEETS	10/18/13	PXEC0030	AEK	GES
J-1	ALL	UPDATED TO PUMP WITH NEMA RATED MOTOR	8/3/16	PXEC0149	AEK	GES

MINIMUM RECOMMENDED
ELECTRICAL PANEL
CLEARANCE PER OSHA/NEC
REQUIREMENTS

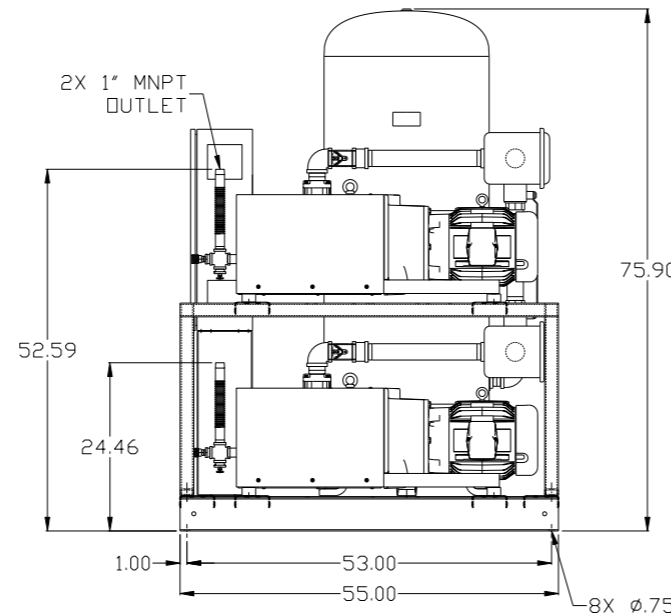


MINIMUM RECOMMENDED
MAINTENANCE CLEARANCE

PBMI
CONTROL
PANEL

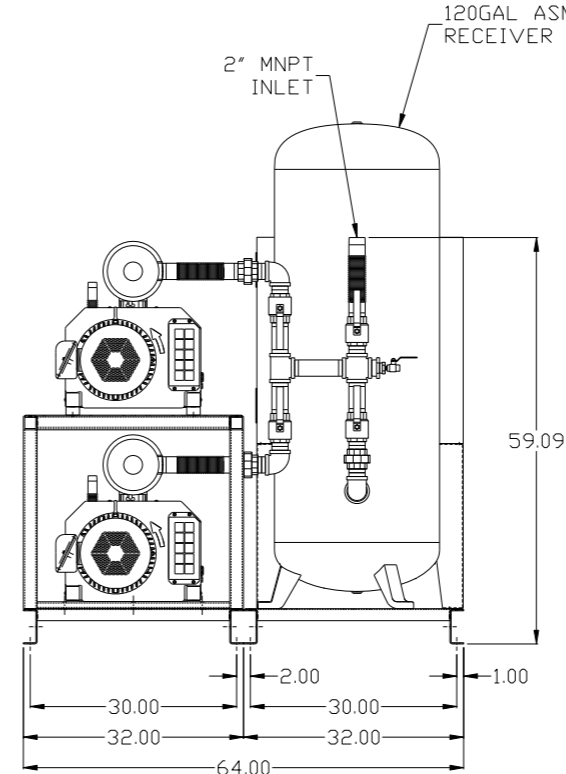


2X 1" MNPT
OUTLET



120GAL ASME
RECEIVER

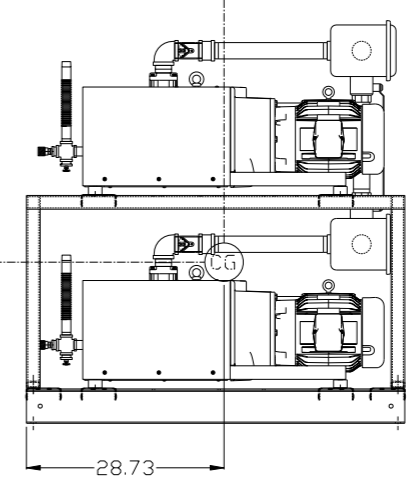
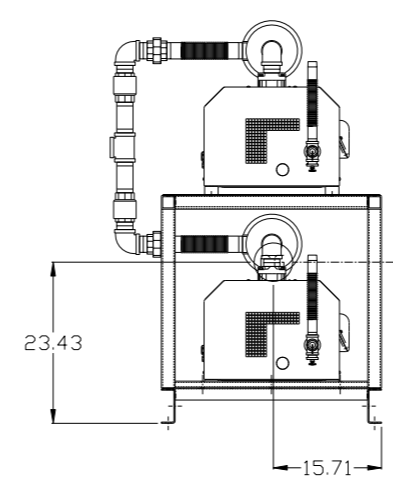
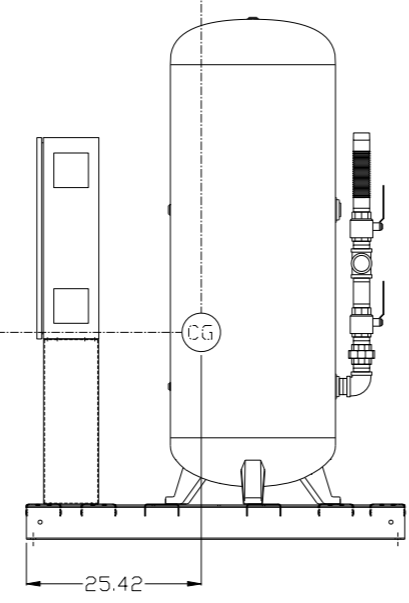
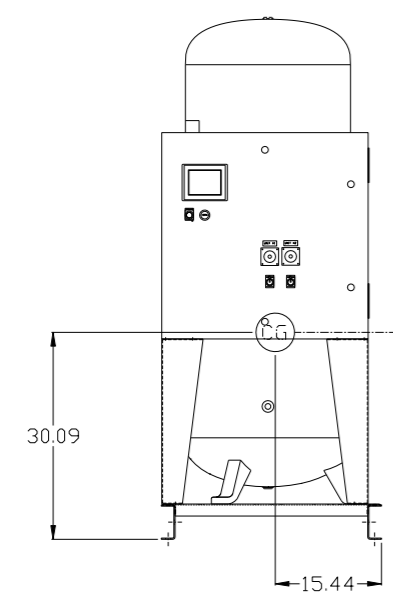
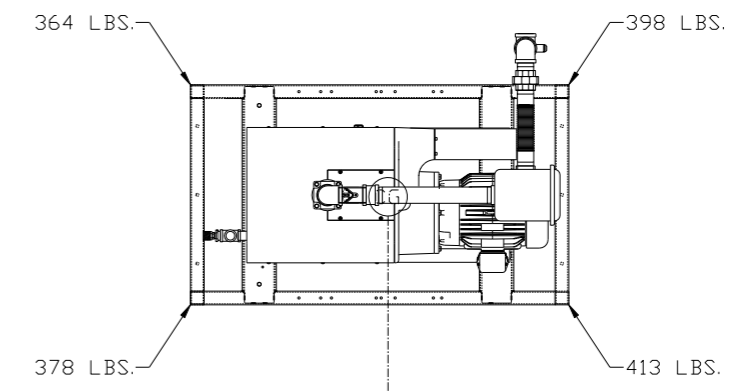
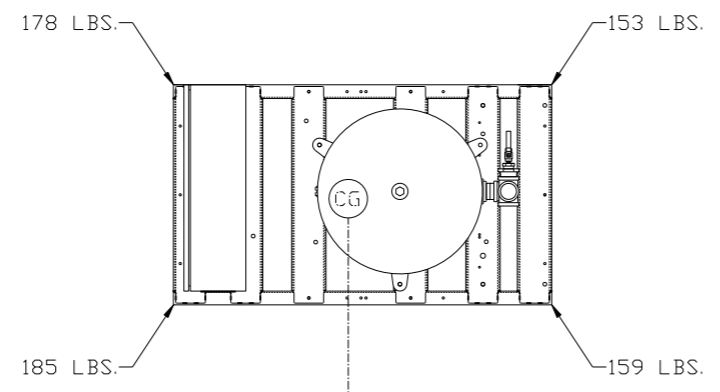
2" MNPT
INLET



NOTE: SYSTEM DESIGNED IN
COMPLIANCE WITH U.S. NFPA '99,
LATEST EDITION.

SYMBOL LEGEND ⊖ = MINUS DRAFT ⊕ = PLUS DRAFT TOLERANCES NOT SPECIFIED .XX ± .XXX ± \angle (DEG.) ±		= ADDITIONAL CONTROL REQ'D = BRINELL HARDNESS		Drawings to conform to the current revision of the following ANSI standards: Y14.3 Multi and sectional view dgs. Y14.5M Dimensioning and tolerancing
AUTOCAD REL2008 LT INCH		DO NOT SCALE DRAWING FOR DIMENSIONS Sheet 1 of 4 SCALE 1:14		
CONFIDENTIAL DISCLOSURE This drawing is the property of POWEREX, INC. of the SCOTT FEITZER COMPANY and subject to return on demand. Its contents are confidential and must not be copied or submitted to outside parties for use or examination.				
DRAWN BY AEK		CHECKED BY GES		
10/18/13		APPROVED BY ENGINEERING MFG/MRKTG DMS DFG 10/18/13 10/18/13		
MATERIAL N/A		POWEREX 150 PRODUCTION DRIVE, HARRISON, OHIO 45030 Ph: 888-769-7979 FAX: (513) 367-3125		
PART NAME 7.5HP CLAW VACUUM 120GAL. DUPLEX		DWG NO CVPD0754A SIZE D		

REV	ZONE	REVISION	DATE	ECN	NAME	CHKD
H-1	4 ALL	ADDED SHEET 4 ADDED P&MI SHEETS	10/18/13	PXEC0030	AEK	GES
J-1	ALL	UPDATED TO PUMP WITH NEMA RATED MOTOR	8/3/16	PXEC0149	AEK	GES



PANEL/RECEIVER SKID:

TOTAL WEIGHT: 675 LBS
 C.O.G. DIMENSIONS
 X (FRONT): -15.44"
 Y (RIGHT): 25.42"
 Z (HEIGHT): 30.09"

PUMP SKID:

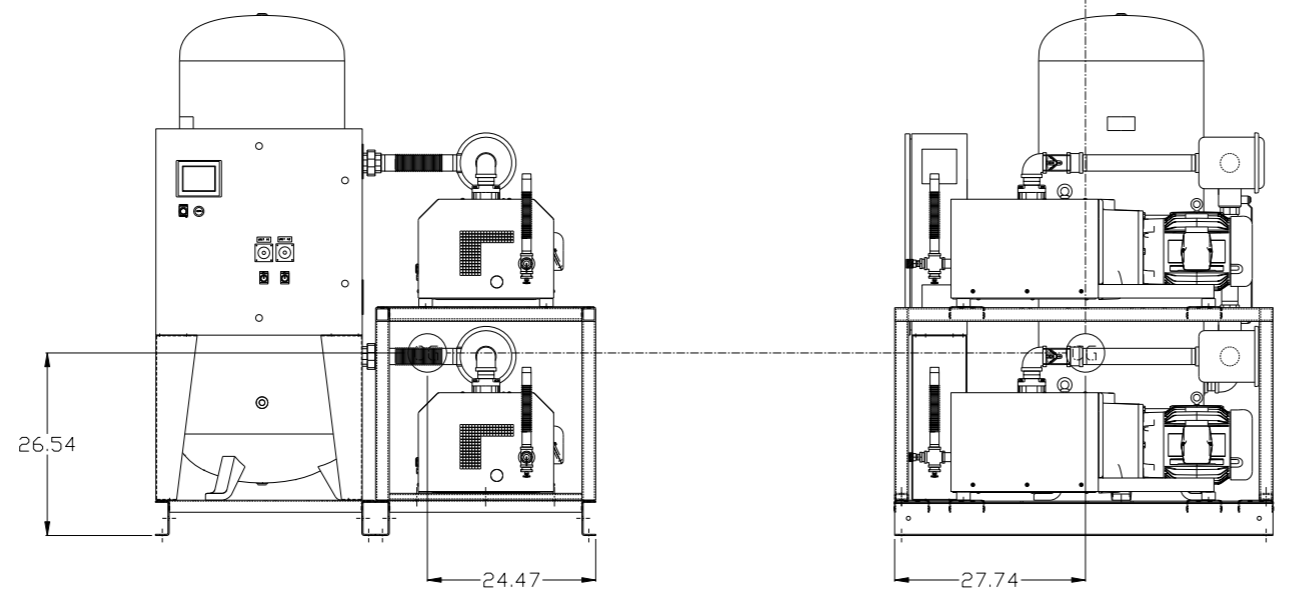
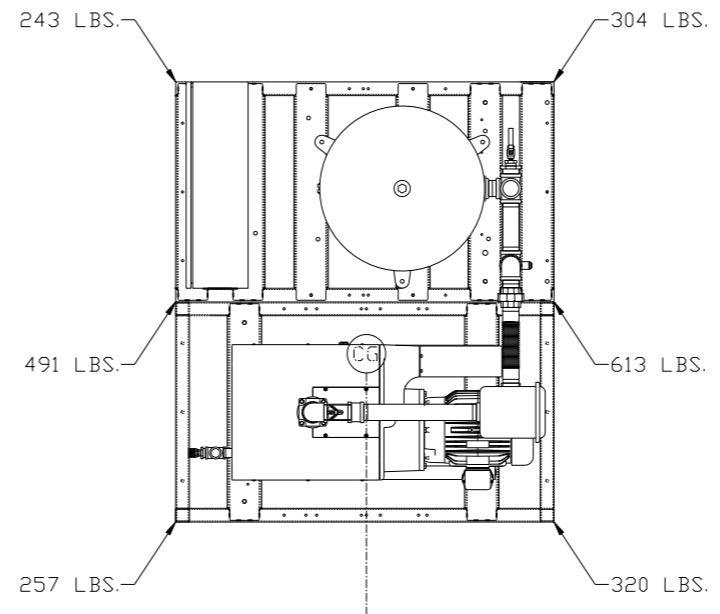
TOTAL WEIGHT: 1553 LBS
 C.O.G. DIMENSIONS
 X (FRONT): -15.71"
 Y (RIGHT): 28.73"
 Z (HEIGHT): 23.43"

denotes center of gravity (CG)

SYMBOL LEGEND ⊖ = MINUS DRAFT ⊕ = PLUS DRAFT ⊕ = ADDITIONAL CONTROL REQ'D HRC = BRINELL HARDNESS		Drawings to conform to the current revision of the following ANSI standards: Y14.3 Multi and sectional view dgs. Y14.5M Dimensioning and tolerancing	
TOLERANCES NOT SPECIFIED .XX ± .XXX ± <<DEG> ±		AUTOCAD REL2008 LT INCH DO NOT SCALE DRAWING FOR DIMENSIONS Sheet 3 of 4 SCALE 1:14	
CONFIDENTIAL DISCLOSURE This drawing is the property of POWEREX, INC. of the SCOTT FETZER COMPANY and subject to return on demand. Its contents are confidential and must not be copied or submitted to outside parties for use or examination.			
MATERIAL N/A		POWEREX 150 PRODUCTION DRIVE, HARRISON, OHIO 45030 Ph: 888-769-7979 FAX: (513) 367-3125	
PART NAME 7.5HP CLAW VACUUM 120GAL. DUPLEX		DWG NO CVPD0754A SIZE D	
DRAWN BY AEK		CHECKED BY GES	
APPROVED BY DMS		ENGINEERING DFG	
10/18/13		10/18/13	

8 7 6 5 4 3 2 1

REV	ZONE	REVISION	DATE	ECN	NAME	CHKD
H-1	4 ALL	ADDED SHEET 4 ADDED P&MI SHEETS	10/18/13	PXEC0030	AEK	GES
J-1	ALL	UPDATED TO PUMP WITH NEMA RATED MOTOR	8/2/16	PXEC0149	AEK	GES



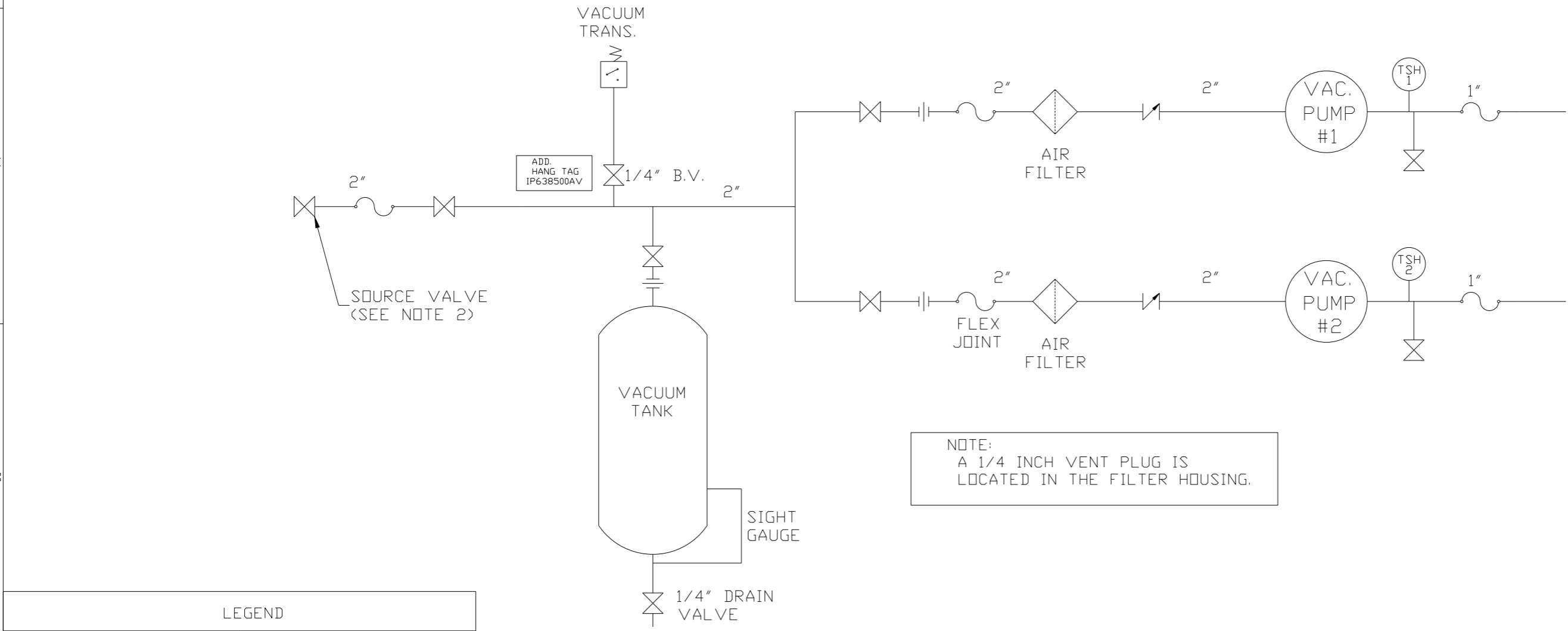
COMPLETE SYSTEM:
 TOTAL WEIGHT: 2228 LBS
 C.O.G. DIMENSIONS
 X (FRONT): 24.47"
 Y (RIGHT): 27.74"
 Z (HEIGHT): 26.54"

denotes center of gravity (CG)

SYMBOL LEGEND ⊖ = MINUS DRAFT ⊕ = PLUS DRAFT Ⓢ = ADDITIONAL CONTROL REQ'D Ⓢ = BRINELL HARDNESS		Drawings to conform to the current revision of the following ANSI standards: Y14.3 Multi and sectional view dgs. Y14.5M Dimensioning and tolerancing	
TOLERANCES NOT SPECIFIED .XX ± .XXX ± <DEG> ±		AUTOCAD REL2008 LT INCH DO NOT SCALE DRAWING FOR DIMENSIONS Sheet 4 of 4 SCALE 1: 14	
CONFIDENTIAL DISCLOSURE This drawing is the property of POWEREX, INC. of the SCOTT FETZER COMPANY and subject to return on demand. Its contents are confidential and must not be copied or submitted to outside parties for use or examination.			
DRAWN BY AEK		CHECKED BY GES	
APPROVED BY DMS		ENGINEERING MFG/MRKTG DFG	
MATERIAL N/A		10/18/13 10/18/13 10/18/13 10/18/13	
PART NAME 7.5HP CLAW VACUUM 120GAL. DUPLEX		POWEREX 150 PRODUCTION DRIVE, HARRISON, OHIO 45030 Ph: 888-769-7979 FAX: (513) 367-3125	
DWG NO CVPD0754A		SIZE D	

8 7 6 5 4 3 2 1

REV	ZONE	REVISION	DATE	ECN	NAME	CHKD
H-1	4 ALL	ADDED SHEET 4 ADDED P&ID SHEETS	10/18/13	PXEC0030	AEK	GES
J-1	ALL	UPDATED TO PUMP WITH NEMA RATED MOTOR	8/2/16	PXEC0149	AEK	GES



NOTE:
A 1/4 INCH VENT PLUG IS
LOCATED IN THE FILTER HOUSING.

LEGEND			
TSH 2	TEMP. SWITCH	W	VACUUM SWITCH
LOL 2	LOW OIL LEVEL SW.	↗	CHECK VALVE
◇	AIR FILTER	~	FLEX LINE
⊗	BALL VALVE	— — —	UNION

NOTES:
1) TSH - TEMPERATURE SWITCH HIGH
2) PER NFPA THE SYSTEM WILL REQUIRE A SOURCE VALVE (SUPPLIED BY OTHERS).

SYMBOL LEGEND		= ADDITIONAL CONTROL REQ'D	Drawings to conform to the current revision of the following ANSI standards		
⊖ = MINUS DRAFT	⊕ = PLUS DRAFT	HB	Y14.3 Multi and sectional view dsgs. Y14.5M Dimensioning and tolerancing		
TOLERANCES NOT SPECIFIED		AUTOCAD REL2008 LT	DO NOT SCALE DRAWING FOR DIMENSIONS		
.XX ±	.XXX ±	INCH	Sheet 2 of 4	SCALE 1:14	
CONFIDENTIAL DISCLOSURE This drawing is the property of POWEREX, INC. of the SCOTT FETZER COMPANY and subject to return on demand. Its contents are confidential and must not be copied or submitted to outside parties for use or examination.		DRAWN BY AEK	CHECKED BY GES	APPROVED BY ENGINEERING DMS	MFG/MKTG DFG
MATERIAL N/A		10/18/13	10/18/13	10/18/13	10/18/13
PART NAME CLAW VAC DUPLEX FLOW SCHEMATIC				SIZE D	
DWG NO CVPD0754A		CVPD0754A.dwg			