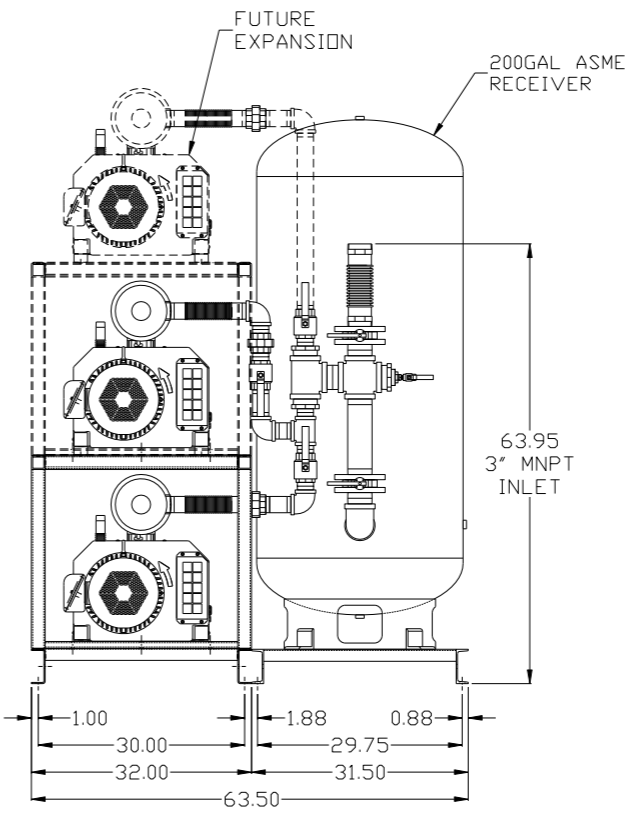
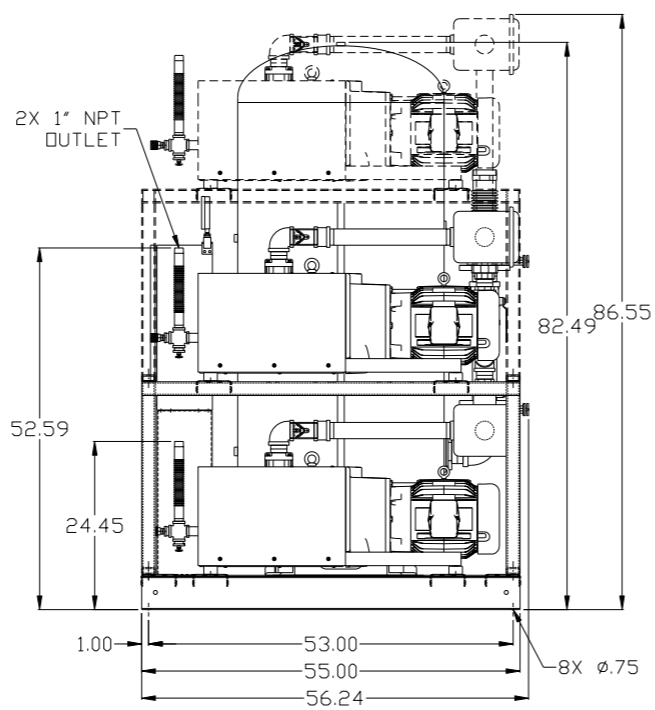
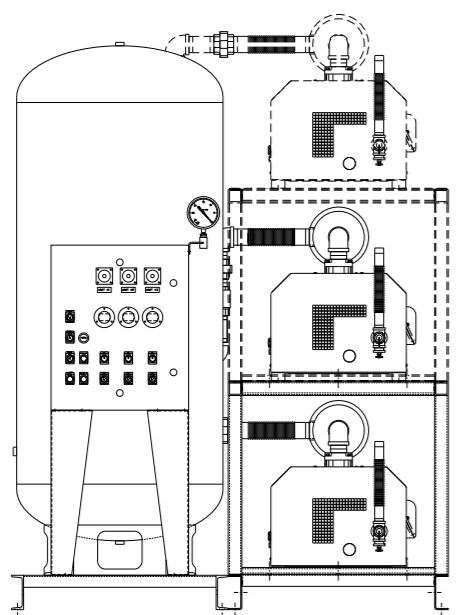
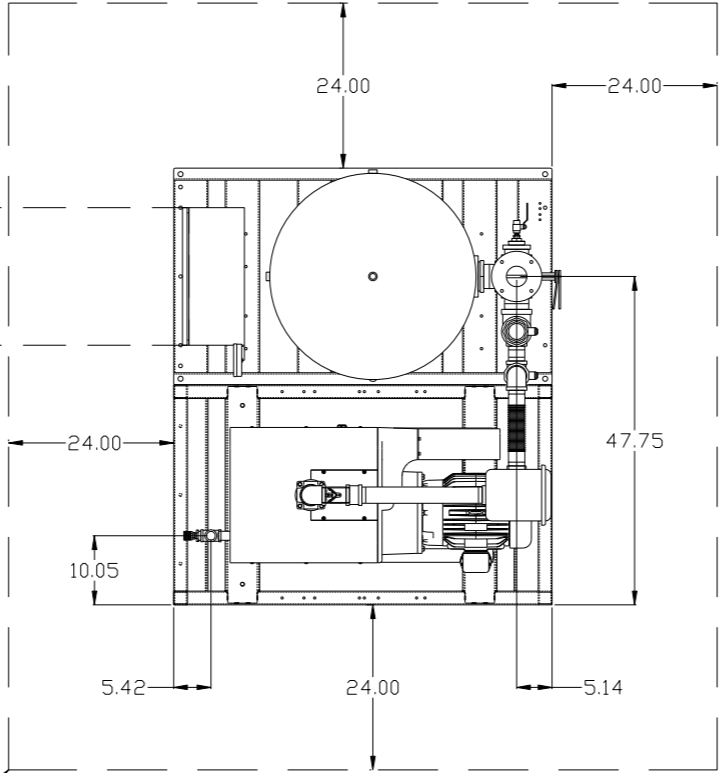


| REV | ZONE | REVISION                              | DATE     | ECN      | NAME | CHKD |
|-----|------|---------------------------------------|----------|----------|------|------|
| B-1 | ALL  | RELEASE TO PRODUCTION                 | 12/16/14 | PXEC0066 | AEK  | GES  |
| C-1 | ALL  | UPDATED TO PUMP WITH NEMA RATED MOTOR | 11/17/16 | PXEC0149 | AEK  | GES  |

MINIMUM RECOMMENDED ELECTRICAL PANEL CLEARANCE PER OSHA/NEC REQUIREMENTS

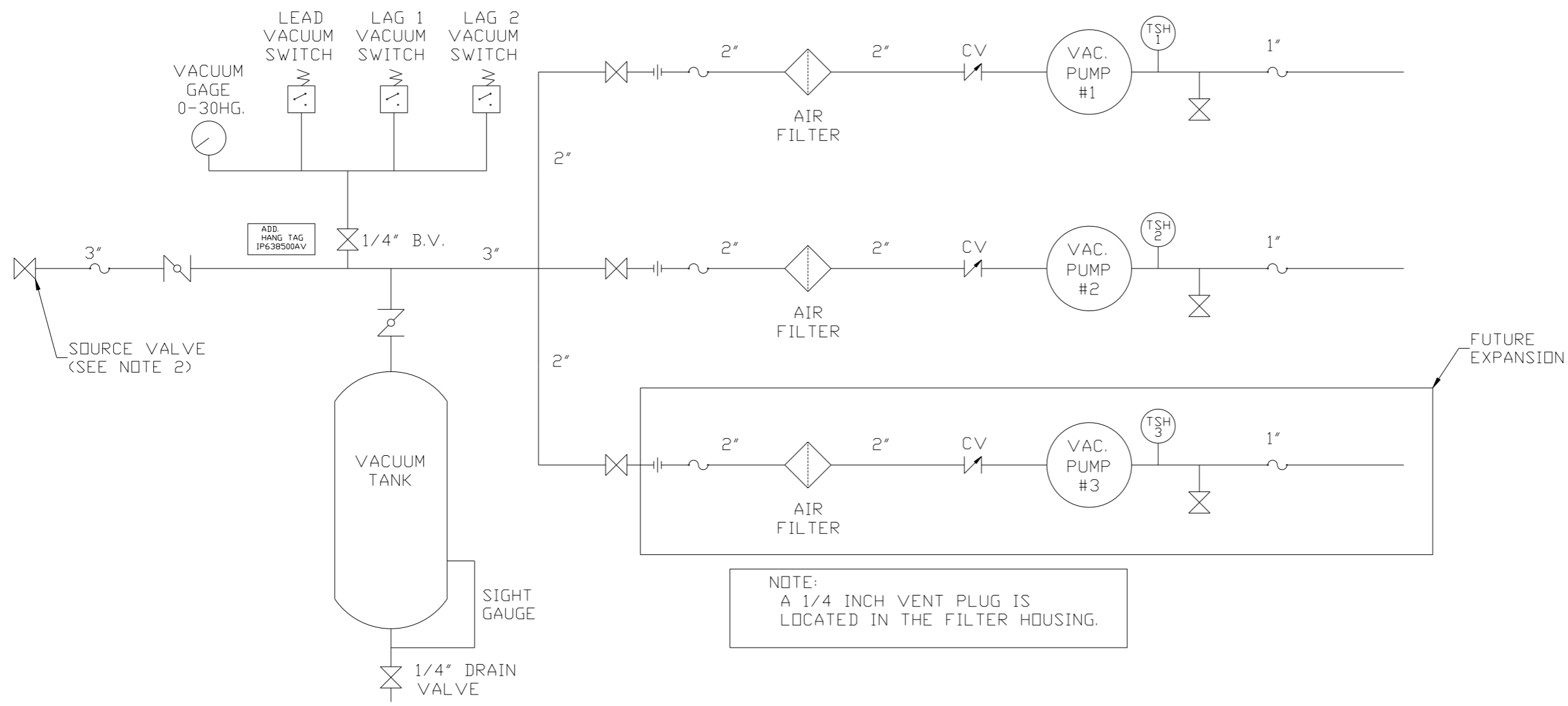
MINIMUM RECOMMENDED MAINTENANCE CLEARANCE



NOTE: SYSTEM DESIGNED IN COMPLIANCE WITH U.S. NFPA '99, LATEST EDITION.

|   |  |  |  |
|---|--|--|--|
| <b>SYMBOL LEGEND</b><br>⊖ = MINUS DRAFT<br>⊕ = PLUS DRAFT<br>∅ = ADDITIONAL CONTROL REQ'D<br>HRC = BRINELL HARDNESS   |  | Drawings to conform to the current revision of the following ANSI standards:<br>Y14.3 Multi and sectional view dgs.<br>Y14.5M Dimensioning and tolerancing |  |
| TOLERANCES NOT SPECIFIED<br>.XX ±<br>.XXX ±<br><math>\angle</math> (DEG) ±  |  | AUTOCAD REL2014 LT<br>INCH<br>DO NOT SCALE DRAWING FOR DIMENSIONS<br>Sheet 1 of 2<br>SCALE 1:14  |  |
| CONFIDENTIAL DISCLOSURE<br>This drawing is the property of POWEREX, INC. of the SCOTT FEITZER COMPANY and subject to return on demand. Its contents are confidential and must not be copied or submitted to outside parties for use or examination. |  | DRAWN BY: AEK<br>CHECKED BY: GES<br>ENGINEERING: DMS<br>APPROVED BY: RJR<br>12/16/14   12/16/14   12/16/14   12/16/14                                      |  |
| MATERIAL: N/A   |  | <b>POWEREX</b><br>150 PRODUCTION DRIVE, HARRISON, OHIO 45030<br>Ph: 888-769-7979 FAX: (513) 367-3125   |  |
| PART NAME: 7.5HP CLAW VAC DUPLEX 200GAL EXPANDABLE  |  | DWG NO: CVPD0755B-EX3<br>SIZE: D   |  |

| REV | ZONE | REVISION                              | DATE     | ECN      | NAME | CHKD |
|-----|------|---------------------------------------|----------|----------|------|------|
| B-1 | ALL  | RELEASE TO PRODUCTION                 | 12/16/14 | PXEC0066 | AEK  | GES  |
| C-1 | AL   | UPDATED TO PUMP WITH NEMA RATED MOTOR | 11/17/16 | PXEC0149 | AEK  | GES  |



NOTE:  
A 1/4 INCH VENT PLUG IS  
LOCATED IN THE FILTER HOUSING.

| LEGEND |                 |
|--------|-----------------|
|        | TEMP. SWITCH    |
|        | VACUUM SWITCH   |
|        | AIR FILTER      |
|        | BALL VALVE      |
|        | BUTTERFLY VALVE |
|        | CHECK VALVE     |
|        | FLEX LINE       |
|        | UNION           |

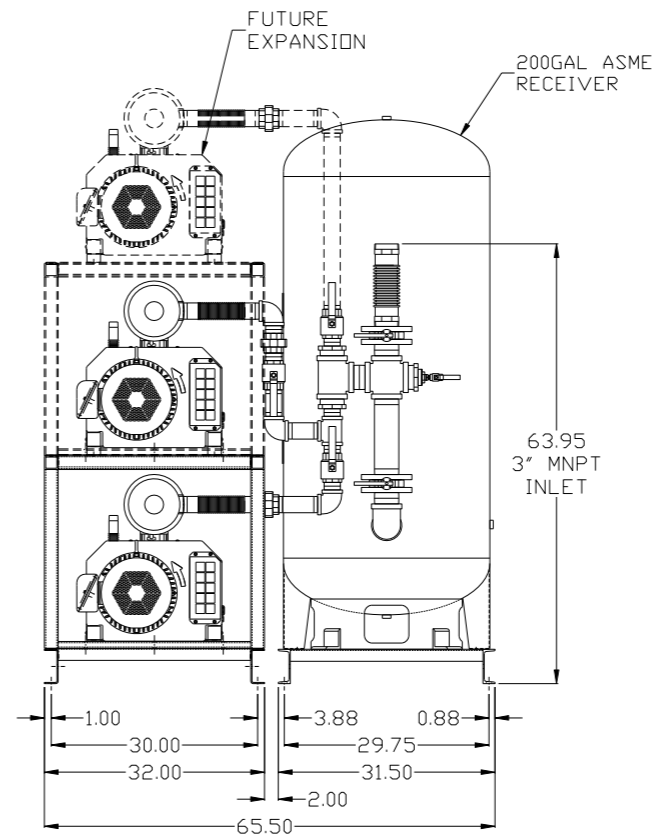
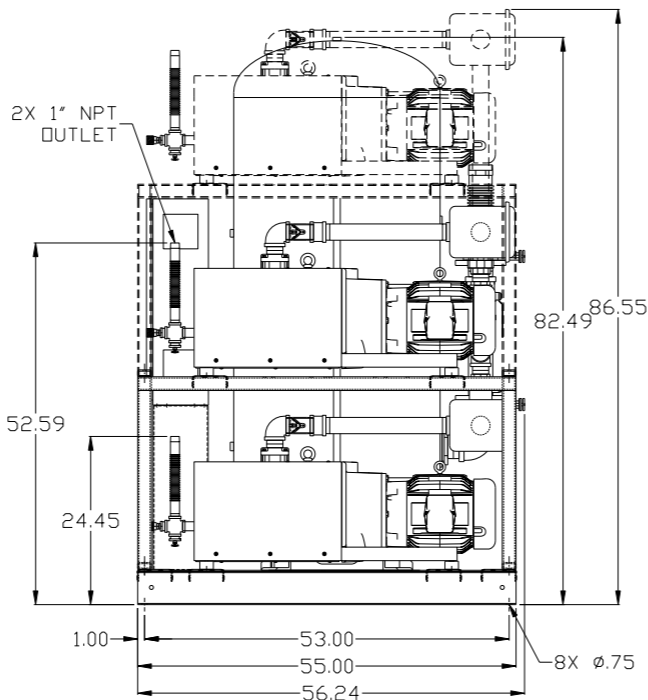
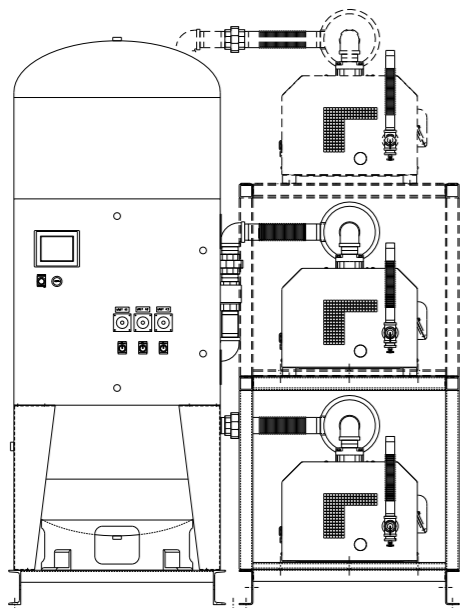
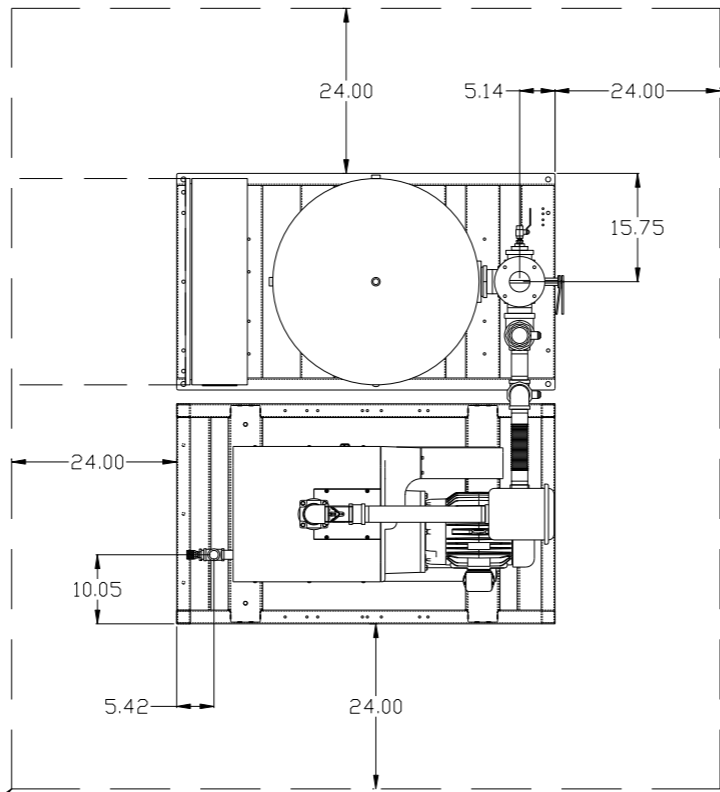
NOTES:  
1) TSH - TEMPERATURE SWITCH HIGH  
2) PER NFPA THE SYSTEM WILL REQUIRE A SOURCE VALVE (SUPPLIED BY OTHERS).

|  |  |  |                   |  |
|--|--|--|-------------------|--|
| SYMBOL LEGEND<br>⊖ = MINUS DRAFT<br>⊕ = PLUS DRAFT<br>TOLERANCES NOT SPECIFIED<br>.XX ±<br>.XXX ±<br><math>\angle</math> (DEG) ±   |  | = ADDITIONAL CONTROL REQ'D<br>= BRINELL HARDNESS                                     |                   | Drawings to conform to the current revision of the following ANSI standards:<br>Y14.3 Multi and sectional view dgs.<br>Y14.5M Dimensioning and tolerancing |
| AUTOCAD REL2014.LT<br>INCH   |  | DO NOT SCALE DRAWING FOR DIMENSIONS<br>Sheet 2 of 2<br>SCALE 1:14                    |                   |  |
| CONFIDENTIAL DISCLOSURE<br>This drawing is the property of POWEREX, INC. of the SCOTT FETZER COMPANY and subject to return on demand. Its contents are confidential and must not be copied or submitted to outside parties for use or examination. |  | DRAWN BY<br>AEK  | CHECKED BY<br>GES | APPROVED BY<br>ENGINEERING MFG/MKTG<br>DMS RJR   |
| MATERIAL<br>N/A  |  | 12/16/14   | 12/16/14          | 12/16/14   |
| PART NAME<br>DUPLEX VAC PACKAGE EXPANDABLE<br>FLOW SCHEMATIC   |  | <br>150 PRODUCTION DRIVE, HARRISON, OHIO 45030<br>Ph 888-769-7979 FAX (513) 367-3125 |                   | DWG NO<br>CVPD0755B-EX3<br>SIZE<br>D   |

| REV | ZONE | REVISION                              | DATE     | ECN      | NAME | CHKD |
|-----|------|---------------------------------------|----------|----------|------|------|
| B-1 | ALL  | RELEASE TO PRODUCTION                 | 12/16/14 | PXEC0066 | AEK  | GES  |
| C-1 | AL   | UPDATED TO PUMP WITH NEMA RATED MOTOR | 11/17/16 | PXEC0149 | AEK  | GES  |

MINIMUM RECOMMENDED ELECTRICAL PANEL CLEARANCE PER OSHA/NEC REQUIREMENTS

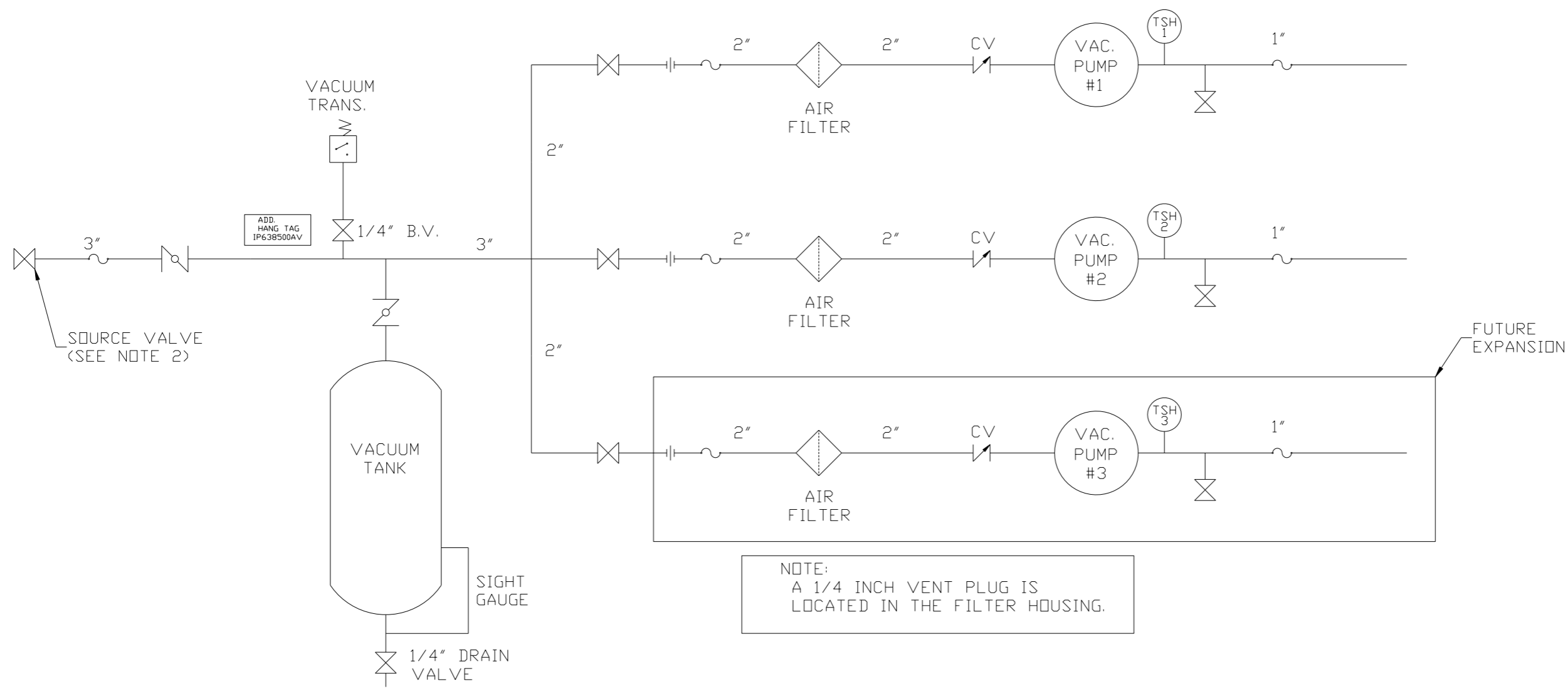
MINIMUM RECOMMENDED MAINTENANCE CLEARANCE



NOTE: SYSTEM DESIGNED IN COMPLIANCE WITH U.S. NFPA '99, LATEST EDITION.

|  |  |  |  |
|--|--|--|--|
| <b>SYMBOL LEGEND</b><br>⊖ = MINUS DRAFT<br>⊕ = PLUS DRAFT<br>Ⓢ = ADDITIONAL CONTROL REQ'D<br>ⓈH = BRINELL HARDNESS   |  | Drawings to conform to the current revision of the following ANSI standards:<br>Y14.3 Multi and sectional view dgs.<br>Y14.5M Dimensioning and tolerancing |  |
| TOLERANCES NOT SPECIFIED<br>.XX ±<br>.XXX ±<br><math>\angle</math>(DEG) ±  |  | AUTOCAD REL2014 LT<br>INCH<br>DO NOT SCALE DRAWING FOR DIMENSIONS<br>Sheet 1 of 2<br>SCALE 1:14  |  |
| <b>CONFIDENTIAL DISCLOSURE</b><br>This drawing is the property of POWEREX, INC. of the SCOTT FEITZER COMPANY and subject to return on demand. Its contents are confidential and must not be copied or submitted to outside parties for use or examination. |  |  |  |
| DRAWN BY<br>AEK  |  | CHECKED BY<br>GES  |  |
| 12/16/14   |  | 12/16/14   |  |
| MATERIAL<br>N/A  |  | APPROVED BY<br>DMS<br>RJR  |  |
| PART NAME<br>7.5HP CLAW VAC DUPLEX<br>200GAL EXPANDABLE  |  | DWG NO<br>CVPD0755B-EX3<br>SIZE<br>D   |  |

| REV | ZONE | REVISION                              | DATE     | ECN      | NAME | CHKD |
|-----|------|---------------------------------------|----------|----------|------|------|
| B-1 | ALL  | RELEASE TO PRODUCTION                 | 12/16/14 | PXEC0066 | AEK  | GES  |
| C-1 | AL   | UPDATED TO PUMP WITH NEMA RATED MOTOR | 11/17/16 | PXEC0149 | AEK  | GES  |



NOTE:  
A 1/4 INCH VENT PLUG IS  
LOCATED IN THE FILTER HOUSING.

| LEGEND |                 |
|--------|-----------------|
|        | TEMP. SWITCH    |
|        | VACUUM SWITCH   |
|        | AIR FILTER      |
|        | BALL VALVE      |
|        | BUTTERFLY VALVE |
|        | CHECK VALVE     |
|        | FLEX LINE       |
|        | UNION           |

NOTES:  
1) TSH - TEMPERATURE SWITCH HIGH  
2) PER NFPA THE SYSTEM WILL REQUIRE A SOURCE VALVE (SUPPLIED BY OTHERS).

|  |  |  |   |
|--|--|--|---|
| SYMBOL LEGEND<br>⊖ = MINUS DRAFT<br>⊕ = PLUS DRAFT<br>Ⓢ = ADDITIONAL CONTROL REQ'D<br>Ⓢ = BRINELL HARDNESS   |  | Drawings to conform to the current revision of the following ANSI standards:<br>Y14.3 Multi and sectional view dgs.<br>Y14.5M Dimensioning and tolerancing |   |
| TOLERANCES NOT SPECIFIED<br>.XX ±<br>.XXX ±<br><math>\angle</math> (DEG) ±   |  | AUTOCAD<br>REL2014 LT<br>INCH  | DO NOT SCALE DRAWING FOR DIMENSIONS<br>Sheet 2 of 2<br>SCALE 1:14 |
| CONFIDENTIAL DISCLOSURE<br>This drawing is the property of POWEREX, INC. of the SCOTT FETZER COMPANY and subject to return on demand. Its contents are confidential and must not be copied or submitted to outside parties for use or examination. |  | DRAWN BY<br>AEK  | CHECKED BY<br>GES   |
| MATERIAL<br>N/A  |  | APPROVED BY<br>ENGINEERING<br>DMS  | MFG/MKTG<br>RJR   |
| PART NAME<br>DUPLEX VAC PACKAGE EXPANDABLE<br>FLOW SCHEMATIC   |  | DWG NO<br>CVPD0755B-EX3  | SIZE<br>D   |