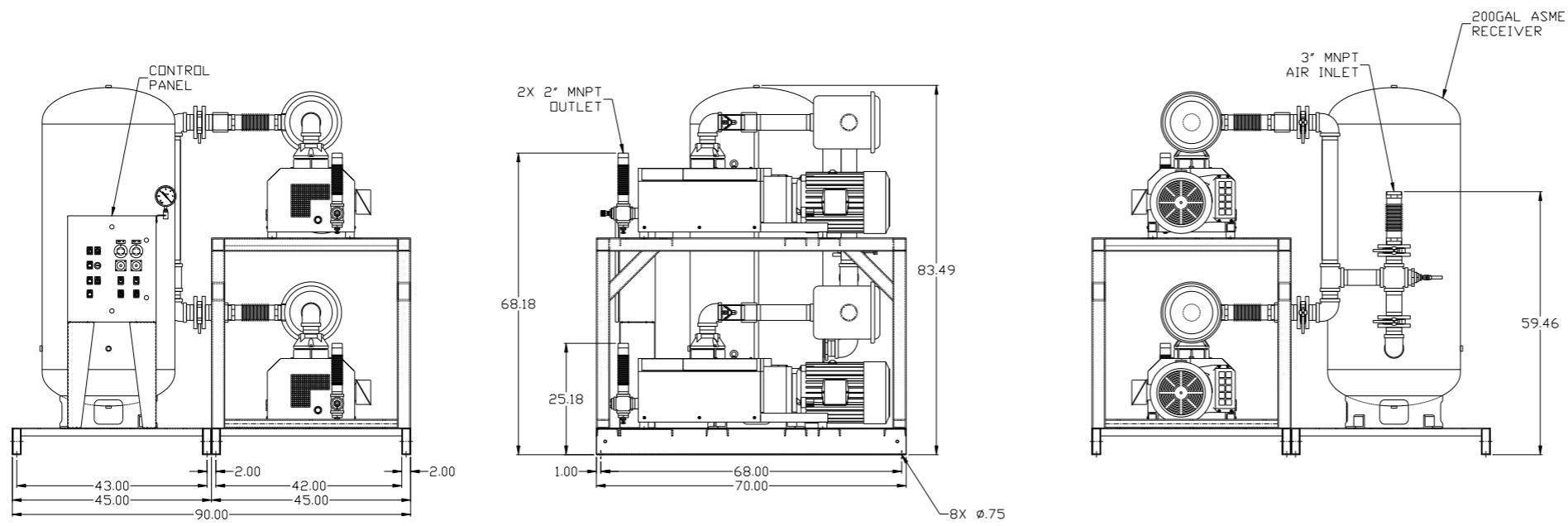
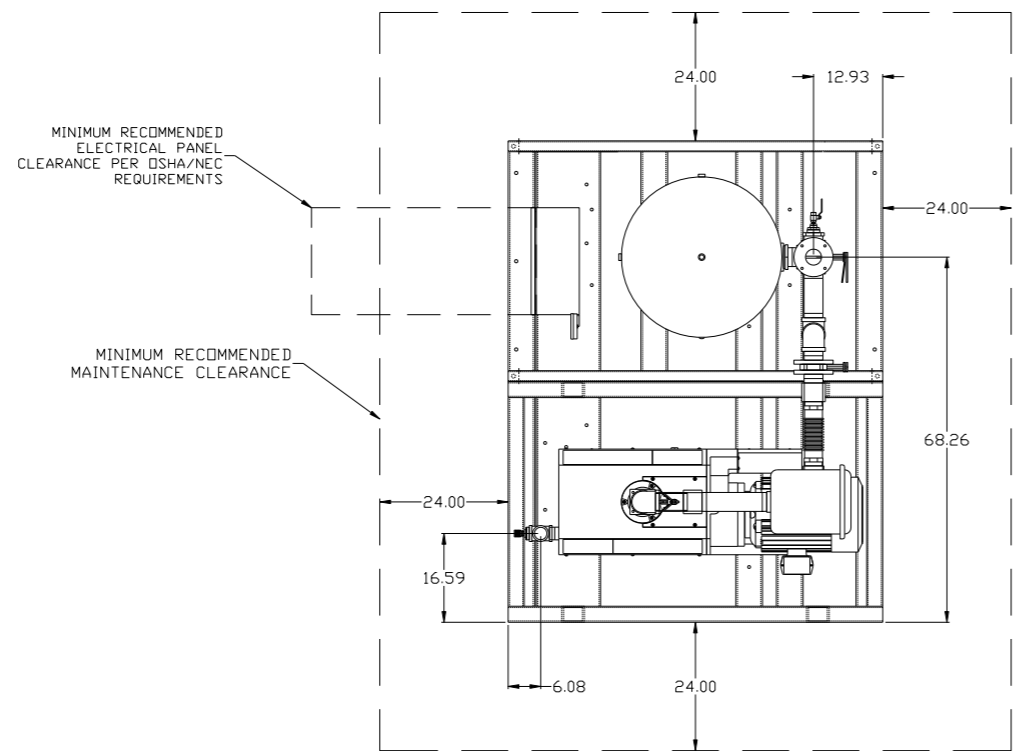


8 7 6 5 4 3 2 1

REV	ZONE	REVISION	DATE	ECN	NAME	CHKD
B-1	ALL	RELEASE TO PRODUCTION	1/21/08	21906	AEK	GES
C-1	ALL	CREATED LAYOUTS FOR DIFFERENT VOLTAGES UPDATED FLOW AND PLUMBING	2/21/08	21907	AEK	GES
D-1	ALL	CHANGED INLET TO 3" ADDED PIPE SIZING TO FLOW	3/28/08	21881	AEK	GES
D-2	ALL	REMOVED SIGHT GAUGE FROM FLOW SCHEMATIC MOVED PUMPS TO OPPOSITE SIDE OF TANK SKID	4/22/08	21881	AEK	GES
E-1	ALL	ADDED D2 CLEANED SHEETS	7/2/09	22127	AEK	DMS
E-2	1 ALL	REMOVED VACUUM SWITCHES FROM CONTROL PANEL	11/12/09	22127	AEK	GES
F-1	2 B6 2 ALL ALL	ADDED SIGHT GAUGE ADDED SOURCE VALVE INFORMATION ADDED BUTTERFLY VALVES	9/27/12	22723	AEK	DMS
G-1	ALL	REMOVED EXTRA VOLTAGE SHEETS ADDED PBM/HMI SHEETS	6/7/13	PXEC0030	AEK	GES
H-1	1 ALL ALL	CHANGED PUMP TO MH1502 REMOVED D2 CLEANED SHEETS	5/15/15	PXEC0098	AEK	GES
J-1	1 ALL	UPDATED TO PUMP WITH NEMA RATED MOTOR	8/11/16	PXEC0149	AEK	GES



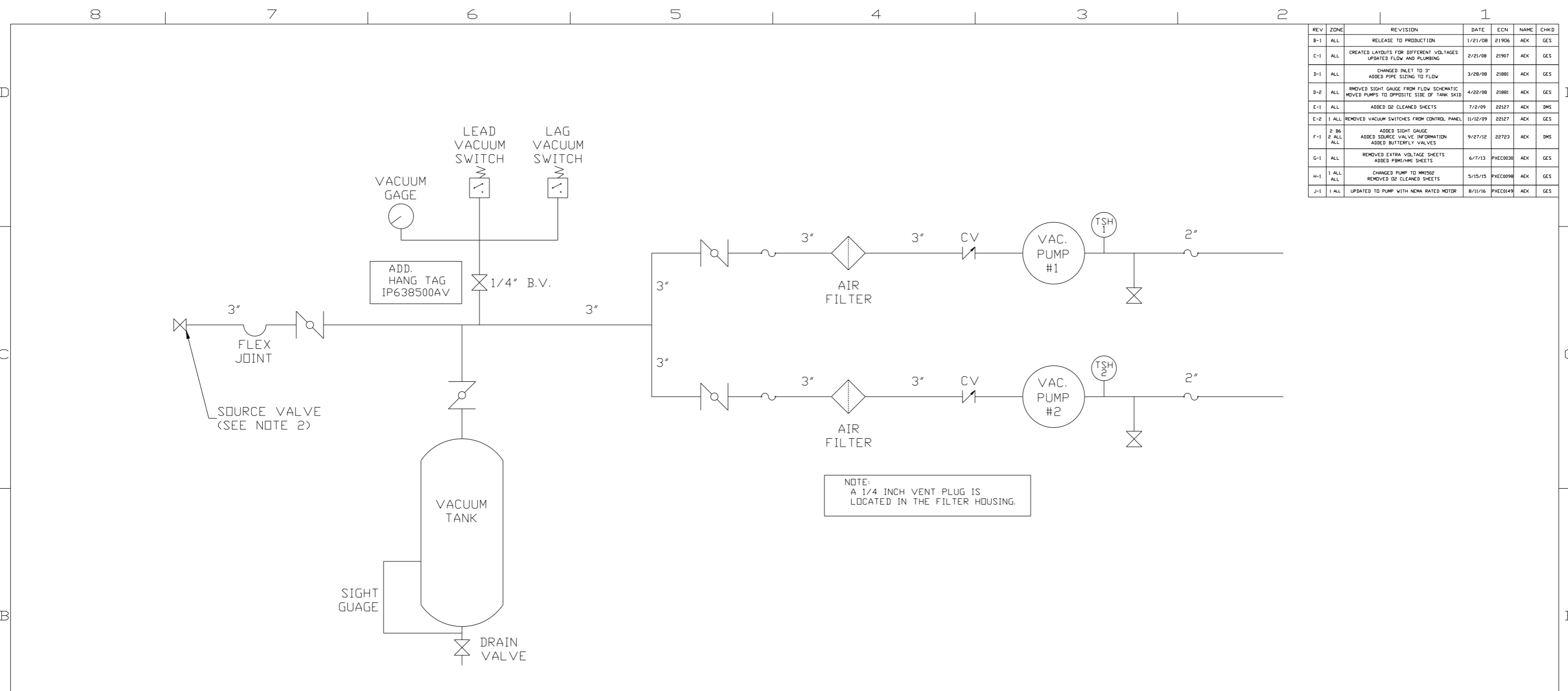
NOTE: SYSTEM DESIGNED IN COMPLIANCE WITH U.S. NFPA '99, LATEST EDITION.

<b>SYMBOL LEGEND</b> ⊖ = MINUS DRAFT ⊕ = PLUS DRAFT Ⓢ = ADDITIONAL CONTROL REQ'D Ⓢ = BRINELL HARDNESS		Drawings to conform to the current revision of the following ANSI standards: Y14.3 Multi and sectional view dsgs. Y14.5M Dimensioning and tolerancing	
TOLERANCES NOT SPECIFIED .XX ± .XXX ± <DEG> ±		DO NOT SCALE DRAWING FOR DIMENSIONS Sheet 1 of 2 SCALE 1:18	
<b>CONFIDENTIAL DISCLOSURE</b> This drawing is the property of POWEREX, INC. of the SCOTT FETZER COMPANY and subject to return on demand. Its contents are confidential and must not be copied or submitted to outside parties for use or examination.			
DRAWN BY AEK		CHECKED BY GES	
APPROVED BY DMS		APPROVED BY JJ	
DATE 1/21/08		DATE 1/21/08	
DATE 1/21/08		DATE 1/21/08	
MATERIAL N/A		<b>POWEREX</b> 150 PRODUCTION DRIVE, HARRISON, OHIO 45030 Ph 888-769-7979 FAX (513) 367-3125	
PART NAME 15HP CLAW VAC DUPLEX 200GAL PACKAGE		DWG NO CVPD1505 SIZE D	

8 7 6 5 4 3 2 1

CVPD1505B.dwg

REV	ZONE	REVISION	DATE	ECN	NAME	CHKD
B-1	ALL	RELEASE TO PRODUCTION	1/21/08	21906	AEK	GES
C-1	ALL	CREATED LAYOUTS FOR DIFFERENT VOLTAGES UPDATED FLOW AND PLUMBING	2/21/08	21907	AEK	GES
D-1	ALL	CHANGED INLET TO 3" ADDED PIPE SIZING TO FLOW	3/28/08	21881	AEK	GES
D-2	ALL	MOVED SIGHT GAUGE FROM FLOW SCHEMATIC MOVED PUMPS TO OPPOSITE SIDE OF TANK SKID	4/22/08	21881	AEK	GES
E-1	ALL	ADDED DR CLEANED SHEETS	7/2/09	22127	AEK	DMS
E-2	1 ALL	REMOVED VACUUM SWITCHES FROM CONTROL PANEL	11/12/09	22127	AEK	GES
F-1	2 B6 2 ALL	ADDED SIGHT GAUGE ADDED SOURCE VALVE INFORMATION ADDED BUTTERFLY VALVES	9/27/12	22723	AEK	DMS
G-1	ALL	REMOVED EXTRA VOLTAGE SHEETS ADDED PBM/HMI SHEETS	6/7/13	PXEC0030	AEK	GES
H-1	1 ALL 1 ALL	CHANGED PUMP TO MH1502 REMOVED DR CLEANED SHEETS	5/15/15	PXEC0098	AEK	GES
J-1	1 ALL	UPDATED TO PUMP WITH NEMA RATED MOTOR	8/11/16	PXEC0149	AEK	GES



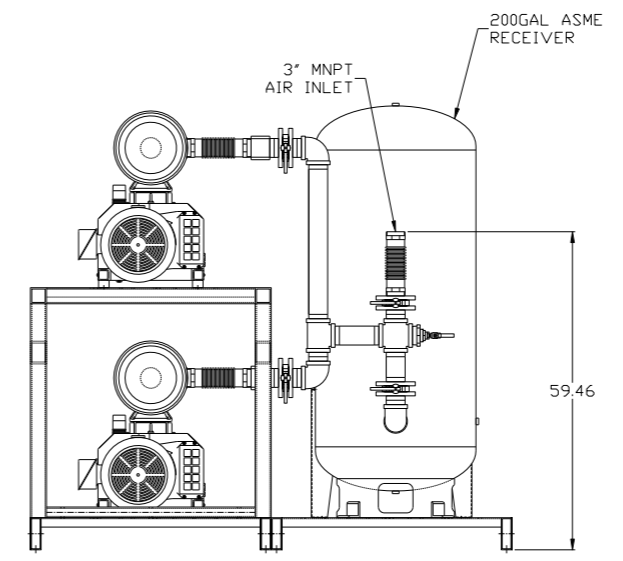
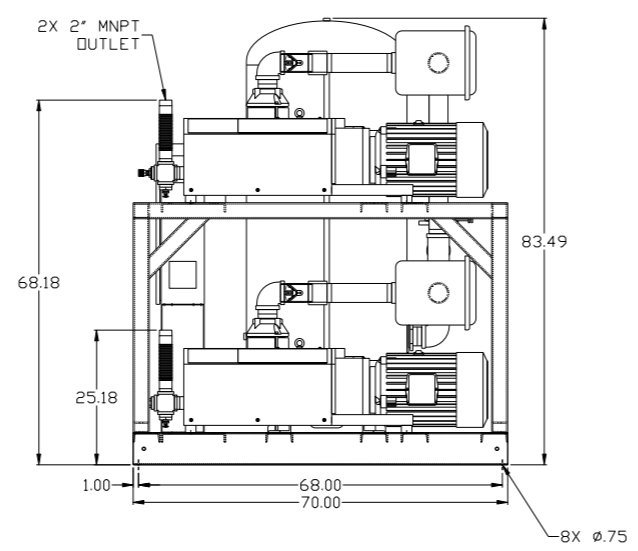
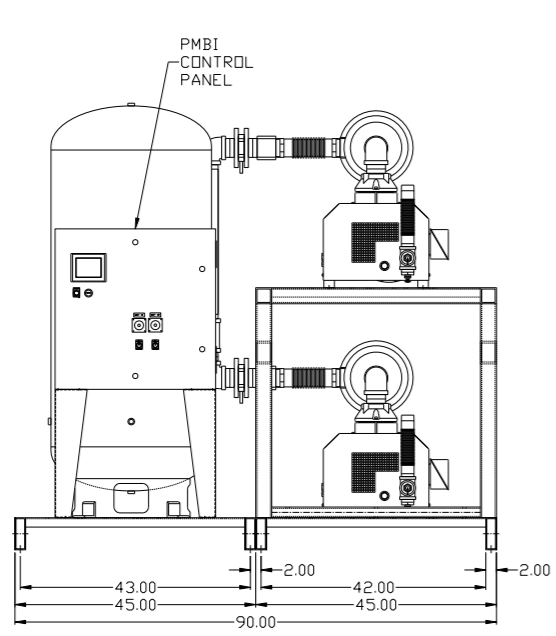
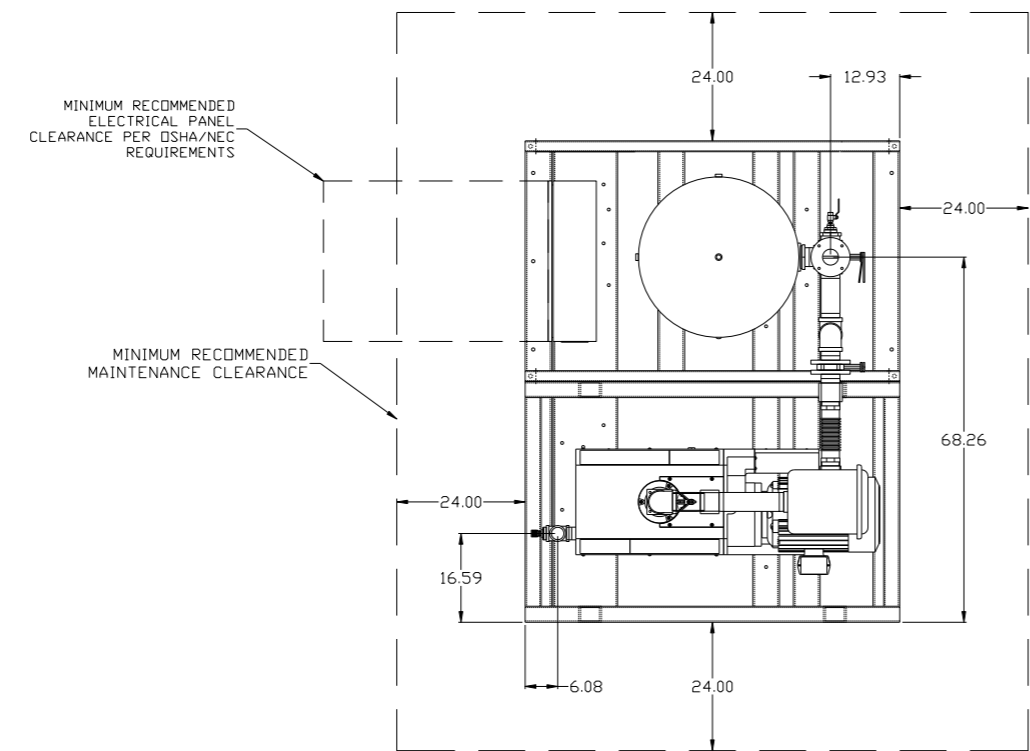
NOTE:  
A 1/4 INCH VENT PLUG IS  
LOCATED IN THE FILTER HOUSING.

LEGEND			
	TEMP. SWITCH		VACUUM SWITCH
	BUTTERFLY VALVE		CHECK VALVE
	AIR FILTER		FLEX LINE
	ISOLATION VALVE		UNION

NOTES:  
1) TSH - TEMPERATURE SWITCH HIGH  
2) PER NFPA THE SYSTEM WILL REQUIRE A SOURCE VALVE (SUPPLIED BY OTHERS).

SYMBOL LEGEND			ADDITIONAL CONTROL REQ'D	Drawings to conform to the current revision of the following ANSI standards:	
	MINUS DRAFT		BRINELL HARDNESS	Y14.3 Multi and sectional view dsgs. Y14.5M Dimensioning and tolerancing	
TOLERANCES NOT SPECIFIED		AUTOCAD REL2008 LT	DO NOT SCALE DRAWING FOR DIMENSIONS		
.XX ±	.XXX ±	INCH	Sheet 2 of 2	SCALE 1:18	
CONFIDENTIAL DISCLOSURE This drawing is the property of POWEREX, INC. of the SCOTT FETZER COMPANY and subject to return on demand. Its contents are confidential and must not be copied or submitted to outside parties for use or examination.					
DRAWN BY	CHECKED BY	APPROVED BY	ENGINEERING	MFG/MKTG	
AEK	GES	DMS	JJ		
1/21/08	1/21/08	1/21/08	1/21/08		
MATERIAL			N/A		
PART NAME			CLAW VAC DUPLEX FLOW SCHEMATIC		
DWG NO			CVPD1505		
SIZE			D		

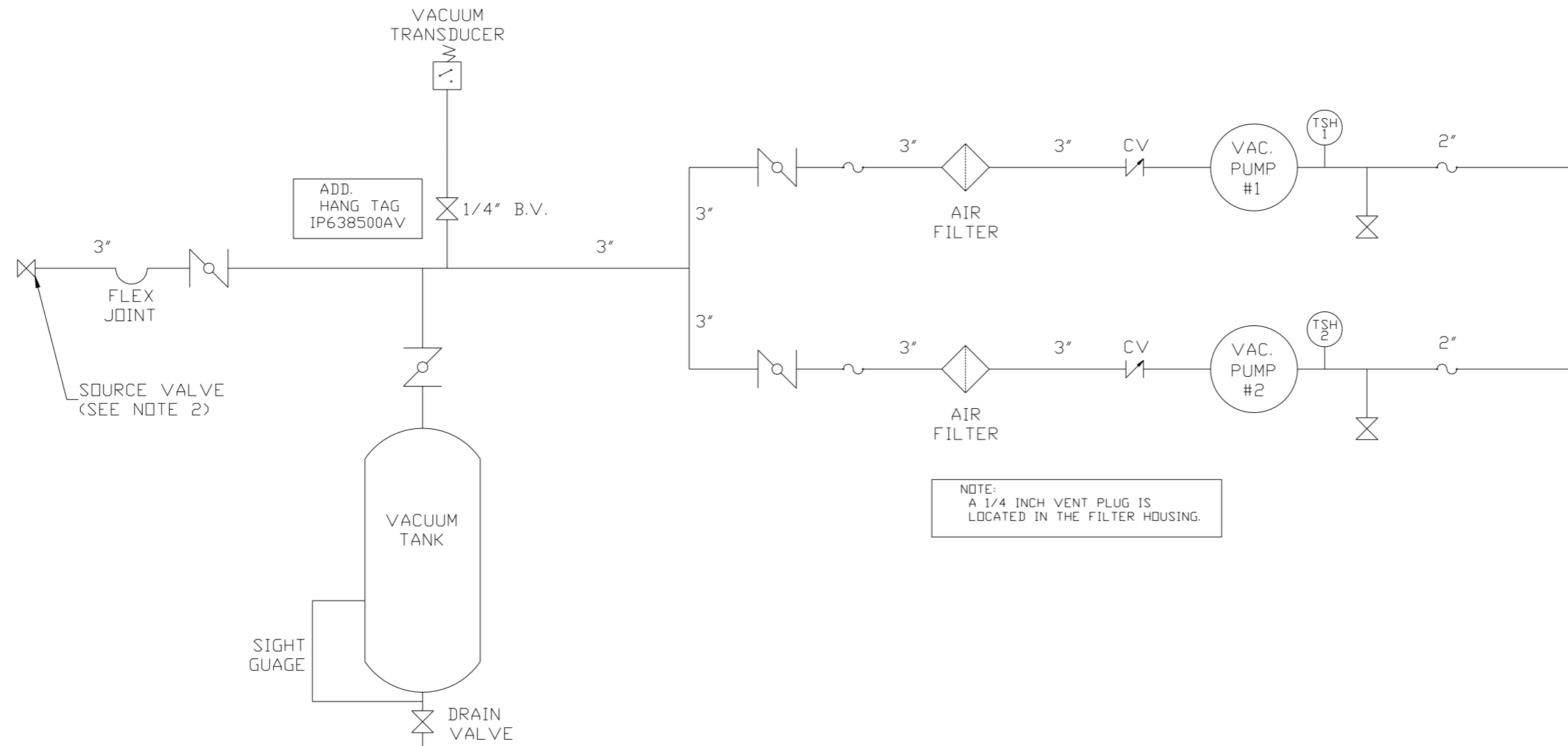
REV	ZONE	REVISION	DATE	ECN	NAME	CHKD
G-1	ALL	REMOVED EXTRA VOLTAGE SHEETS ADDED PBM/HMI SHEETS	6/7/13	PXEC0030	AEK	GES
H-1	1 ALL	CHANGED PUMP TO MH1502 REMOVED D2 CLEANED SHEETS	5/15/15	PXEC0098	AEK	GES
J-1	1 ALL	UPDATED TO PUMP WITH NEMA RATED MOTOR	8/11/16	PXEC0149	AEK	GES



NOTE: SYSTEM DESIGNED IN COMPLIANCE WITH U.S. NFPA '99, LATEST EDITION.

<b>SYMBOL LEGEND</b> ⊖ = MINUS DRAFT    ⊕ = PLUS DRAFT ⊕ = ADDITIONAL CONTROL REQ'D ⊕ = BRINELL HARDNESS		Drawings to conform to the current revision of the following ANSI standards: Y14.3 Multi and sectional view dgs. Y14.5M Dimensioning and tolerancing	
TOLERANCES NOT SPECIFIED .XX ± .XXX ± <math>\angle</math> (DEG.) ±		DO NOT SCALE DRAWING FOR DIMENSIONS Sheet 1 of 2    SCALE 1:18	
CONFIDENTIAL DISCLOSURE This drawing is the property of POWEREX, INC. of the SCOTT FETZER COMPANY and subject to return on demand. Its contents are confidential and must not be copied or submitted to outside parties for use or examination.		AUTOCAD REL2008 LT DRAWN BY: AEK    CHECKED BY: GES    APPROVED BY: DMS, JJ 6/7/13    6/7/13    6/7/13    6/7/13	
MATERIAL: N/A		PART NAME: 15HP CLAW VAC DUPLEX 200GAL PACKAGE DWG NO: CVPD1505    SIZE: D	

REV	ZONE	REVISION	DATE	ECN	NAME	CHKD
G-1	ALL	REMOVED EXTRA VOLTAGE SHEETS ADDED PBM/HMI SHEETS	6/7/13	PXEC0030	AEK	GES
H-1	1 ALL	CHANGED PUMP TO MH1502 REMOVED D2 CLEANED SHEETS	5/15/15	PXEC0098	AEK	GES
J-1	1 ALL	UPDATED TO PUMP WITH NEMA RATED MOTOR	8/11/16	PXEC0149	AEK	GES



NOTE:  
A 1/4 INCH VENT PLUG IS  
LOCATED IN THE FILTER HOUSING.

LEGEND

	TEMP. SWITCH		VACUUM SWITCH
	BUTTERFLY VALVE		CHECK VALVE
	AIR FILTER		FLEX LINE
	ISOLATION VALVE		UNION

NOTES:  
1) TSH - TEMPERATURE SWITCH HIGH  
2) PER NFPA THE SYSTEM WILL REQUIRE A SOURCE VALVE (SUPPLIED BY OTHERS).

SYMBOL LEGEND			ADDITIONAL CONTROL REQ'D	Drawings to conform to the current revision of the following ANSI standards:
	MINUS DRAFT		BRINELL HARDNESS	Y14.3 Multi and sectional view dgs. Y14.5M Dimensioning and tolerancing
TOLERANCES NOT SPECIFIED		AUTOCAD REL2008 LT	DO NOT SCALE DRAWING FOR DIMENSIONS	
.XX ±	.XXX ±	INCH	Sheet 2 of 2	SCALE 1:18
CONFIDENTIAL DISCLOSURE This drawing is the property of POWEREX, INC. OF THE SCOTT FETZER COMPANY and subject to return on demand. Its contents are confidential and must not be copied or submitted to outside parties for use or examination.				
DRAWN BY	CHECKED BY	ENGINEERING	MFG/MKTG	APPROVED BY
AEK	GES	DMS	JJ	
6/7/13	6/7/13	6/7/13	6/7/13	
MATERIAL		N/A		
PART NAME		CLAW VAC DUPLEX FLOW SCHEMATIC		
DWG NO		CVPD1505		
SIZE		D		