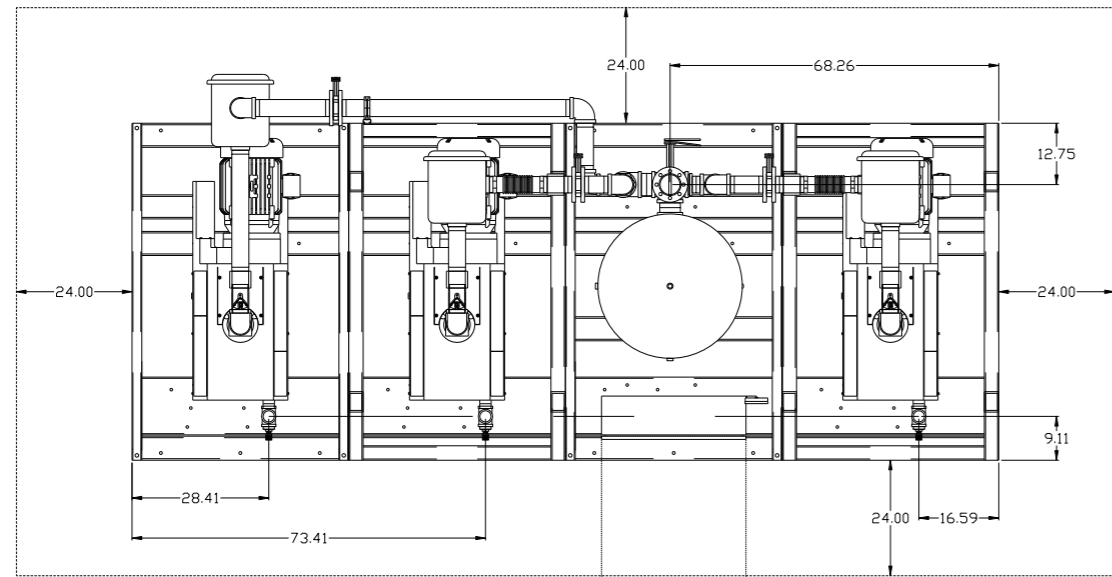
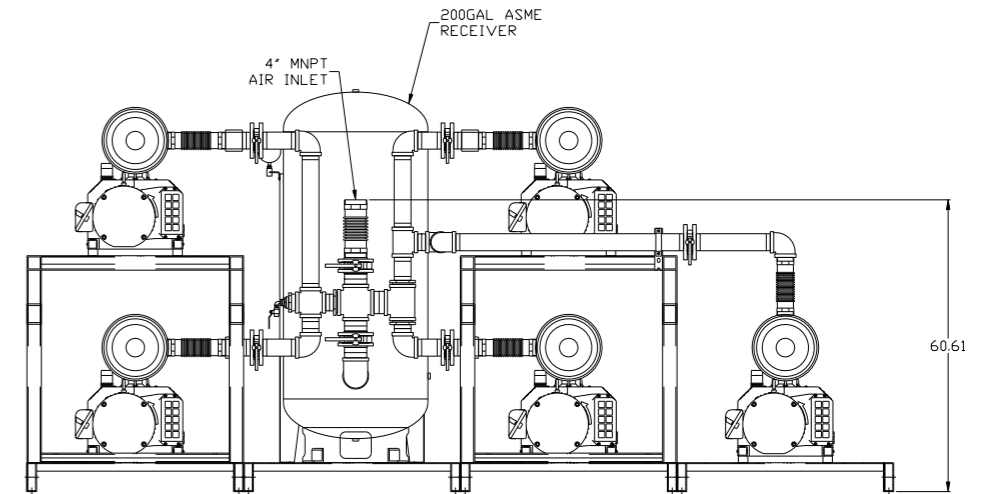
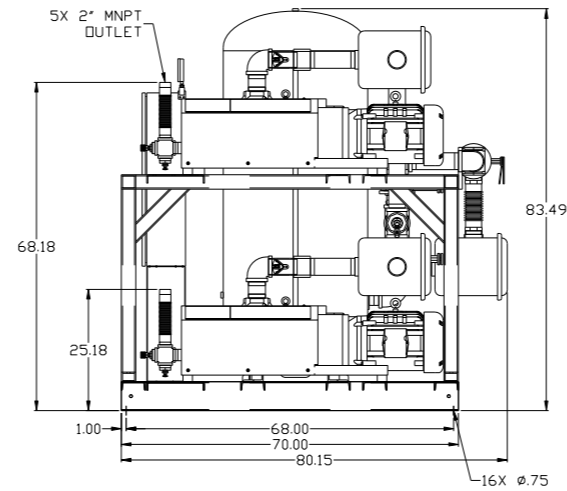
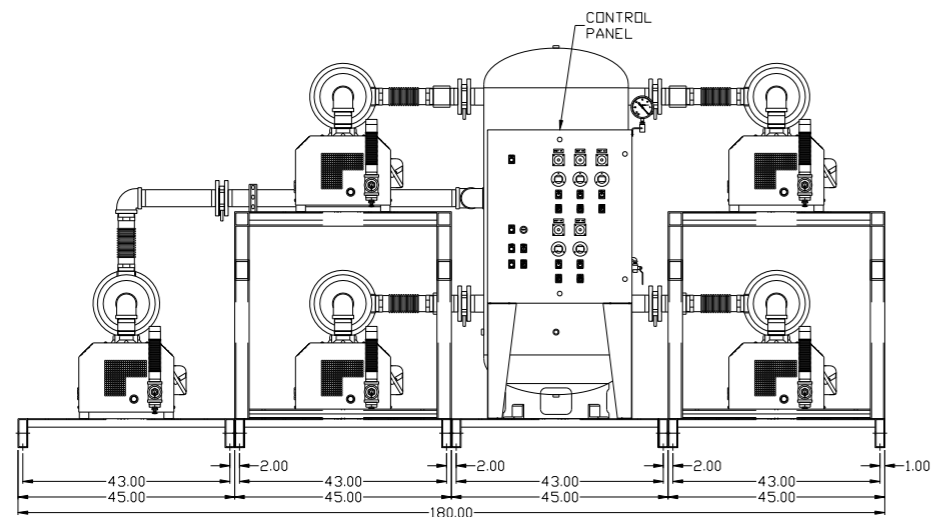


REV	ZONE	REVISION	DATE	ECN	NAME	CHKD
B-1	ALL	RELEASE TO PRODUCTION	7/19/10	22347	AEK	GES
C-1	1 ALL	UPDATED TO CURRENT STANDARD PANEL REMOVED VAC GAUGE	2/7/12	22723	AEK	GES
D-1	1 ALL	ADDED PBM-HMI BUILD SHEET	6/22/12	22610	AEK	DMS
E-1	ALL	UPDATED TO MM1502 PUMP	8/5/15	PKEC098	AEK	GES



MINIMUM RECOMMENDED
ELECTRICAL PANEL
CLEARANCE PER OSHA/NEC
REQUIREMENTS

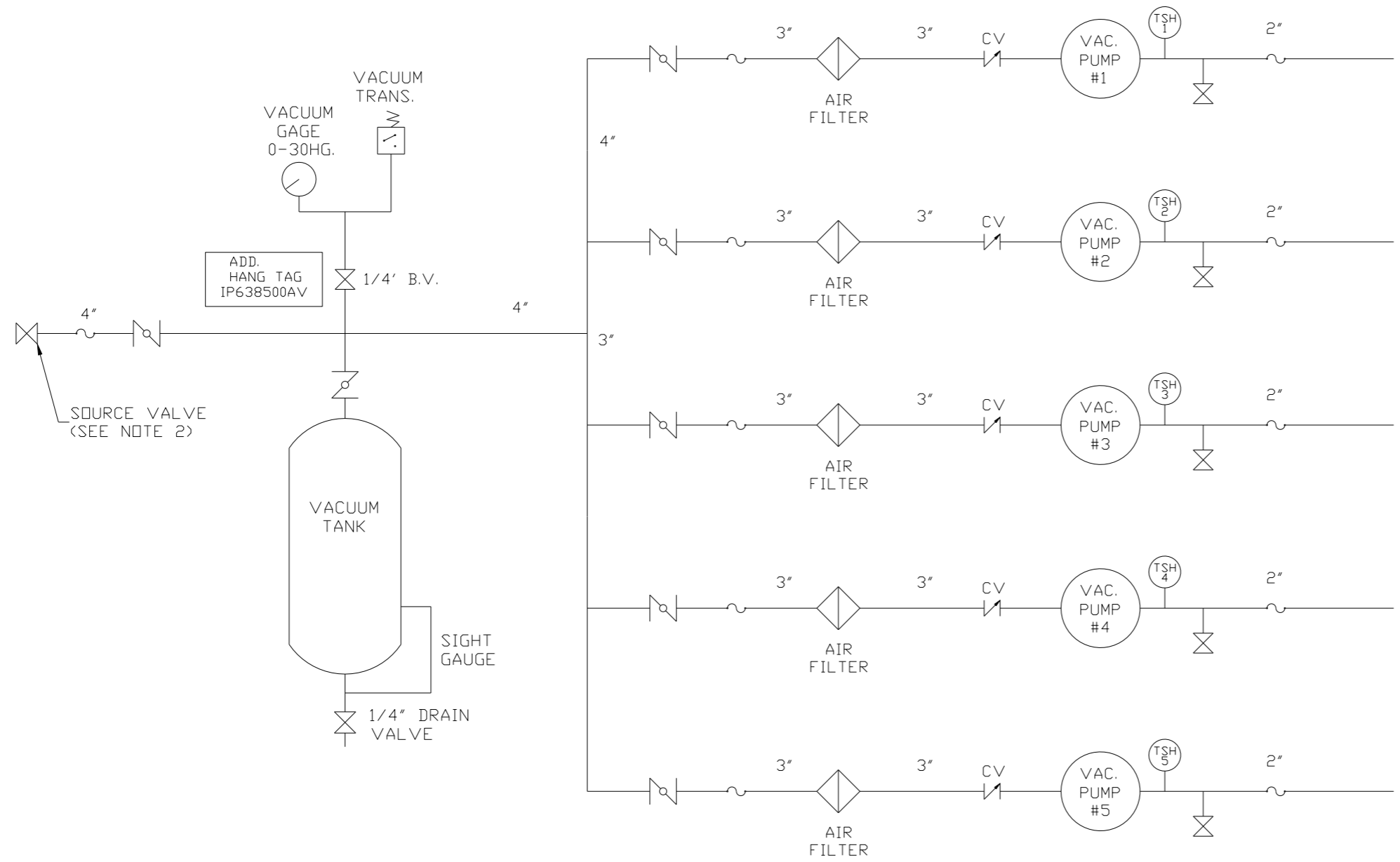
MINIMUM RECOMMENDED
MAINTENANCE CLEARANCE



NOTE: SYSTEM DESIGNED IN
COMPLIANCE WITH U.S. NFPA '99,
LATEST EDITION.

SYMBOL LEGEND		= ADDITIONAL CONTROL REQ'D		Drawings to conform to the current revision of the following ANSI standards:	
⊖	MINUS DRAFT	⊕	PLUS DRAFT	⊕	BRINELL HARDNESS
TOLERANCES NOT SPECIFIED		AUTOCAD REL2008 LT		DO NOT SCALE DRAWING FOR DIMENSIONS	
.XX ±		INCH		Sheet 1 of 2	SCALE 1:20
CONFIDENTIAL DISCLOSURE		DRAWN BY		CHECKED BY	
This drawing is the property of the CAMPBELL GROUP of the SCOTT FETZER COMPANY and subject to return on demand. Its contents are confidential and must not be copied or submitted to outside parties for use or examination.		AEK		GES	
		7/19/10		7/19/10	
		7/19/10		7/19/10	
MATERIAL		N/A		APPROVED BY	
PART NAME		15HP CLAW VAC PENTAPLEX		MFG/MKTG	
200GAL PACKAGE		CVPP1505		TH	
DWG NO		CVPP1505		SIZE	
				D	

REV	ZONE	REVISION	DATE	ECN	NAME	CHKD
B-1	ALL	RELEASE TO PRODUCTION	7/19/10	22347	AEK	GES
C-1	1 ALL	UPDATED TO CURRENT STANDARD PANEL REMOVED VAC GAUGE	2/7/12	22723	AEK	GES
D-1	1 ALL	ADDED PIMI-HMI BUILD SHEET	6/22/12	22610	AEK	DMS
E-1	ALL	UPDATED TO MM1502 PUMP	8/5/15	PKC0998	AEK	GES



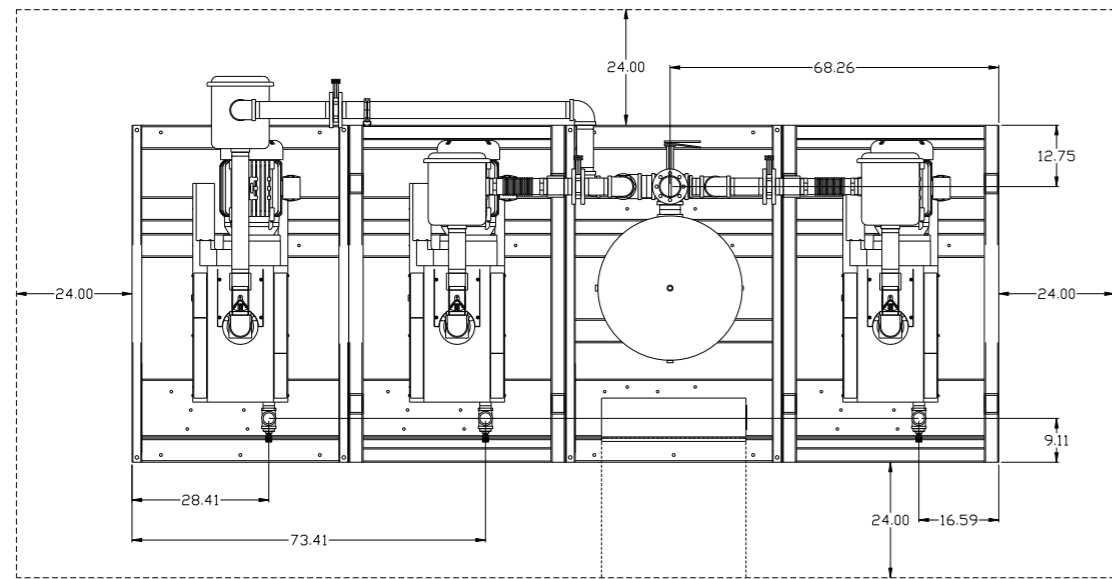
NOTE:
A 1/4 INCH VENT PLUG IS
LOCATED IN THE FILTER HOUSING.

NOTES:
1) TSH - TEMPERATURE SWITCH HIGH
2) PER NFPA THE SYSTEM WILL REQUIRE A SOURCE VALVE (SUPPLIED BY OTHERS).

LEGEND	
TSH	TEMP. SWITCH
	VACUUM SWITCH
	AIR FILTER
	BALL VALVE
	BUTTERFLY VALVE
	VACUUM SWITCH
	CHECK VALVE
	FLEX LINE
	UNION

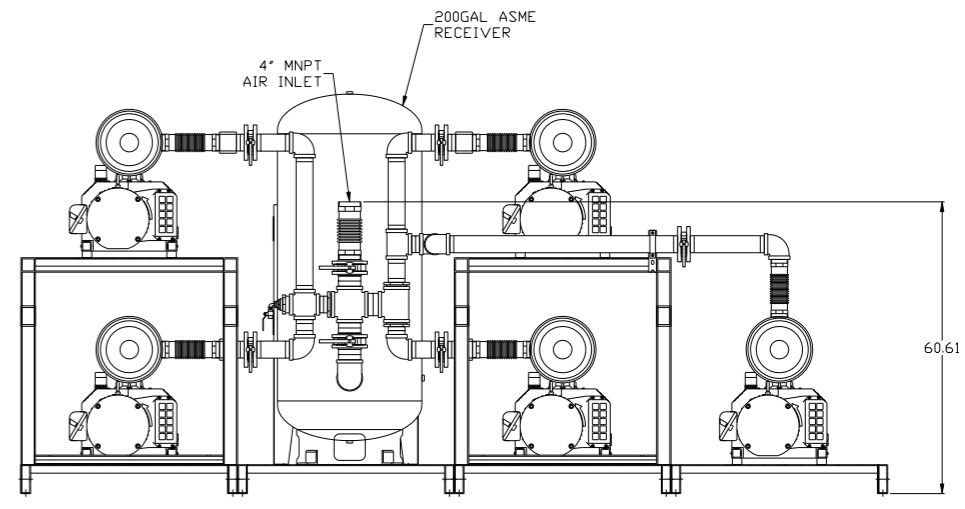
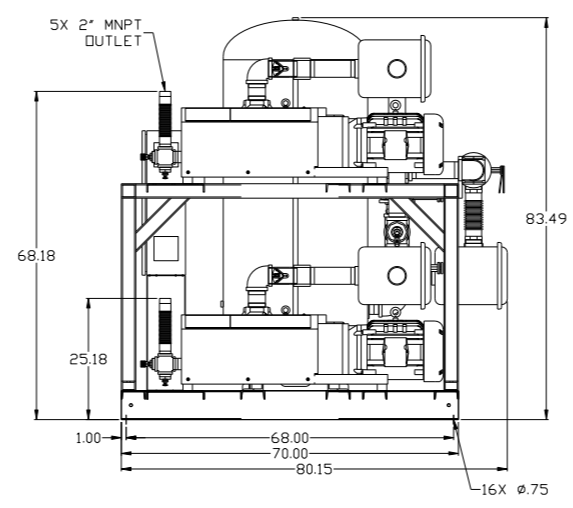
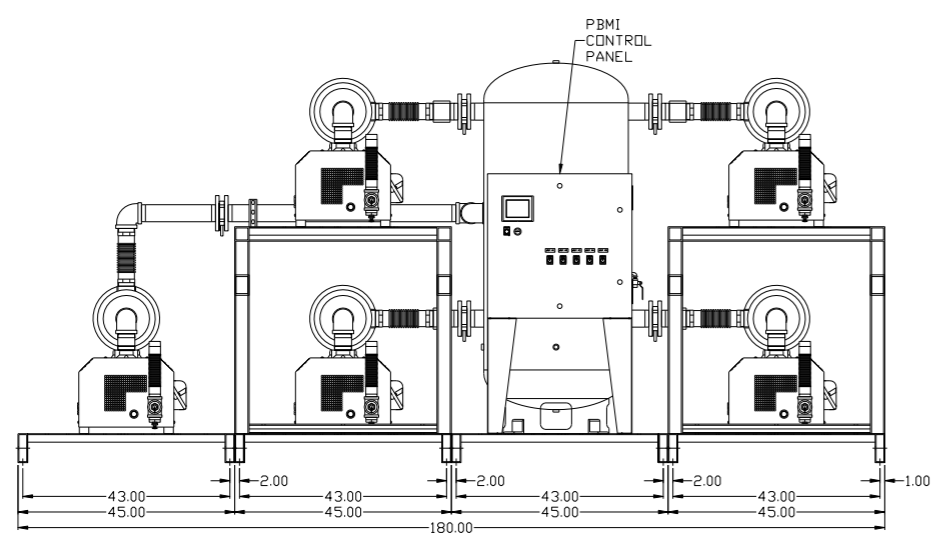
SYMBOL LEGEND		= ADDITIONAL CONTROL REQ'D	Drawings to conform to the current revision of the following ANSI standards: Y14.3 Multi and sectional view dgs. Y14.5M Dimensioning and tolerancing
= MINUS DRAFT	= PLUS DRAFT	= BRINELL HARDNESS	
TOLERANCES NOT SPECIFIED	AUTOCAD REL2008 LT	DO NOT SCALE DRAWING FOR DIMENSIONS	
.XX ±	INCH	Sheet 2 of 2	SCALE 1:20
CONFIDENTIAL DISCLOSURE This drawing is the property of the CAMPBELL GROUP OF THE SCOTT FETZER COMPANY and subject to return on demand. Its contents are confidential and must not be copied or submitted to outside parties for use or examination.			
DRAWN BY	CHECKED BY	APPROVED BY	MFG/MRKTG
AEK	GES	DMS	TH
7/19/10	7/19/10	7/19/10	7/19/10
MATERIAL N/A			
PART NAME CLAW VAC PENTAPLEX FLOW SCHEMATIC		150 PRODUCTION DRIVE, HARRISON, OHIO 45030 Ph: 888-769-7979 FAX: (513) 367-3125	
DWG NO CVPP1505		SIZE D	

REV	ZONE	REVISION	DATE	ECN	NAME	CHKD
D-1	ALL	ADDED PBMI-HMI BUILD SHEET	6/22/12	22610	AEK	DMS
E-1	ALL	UPDATED TO MM1502 PUMP	8/5/15	PRE0098	AEK	GES



MINIMUM RECOMMENDED ELECTRICAL PANEL CLEARANCE PER OSHA/NEC REQUIREMENTS

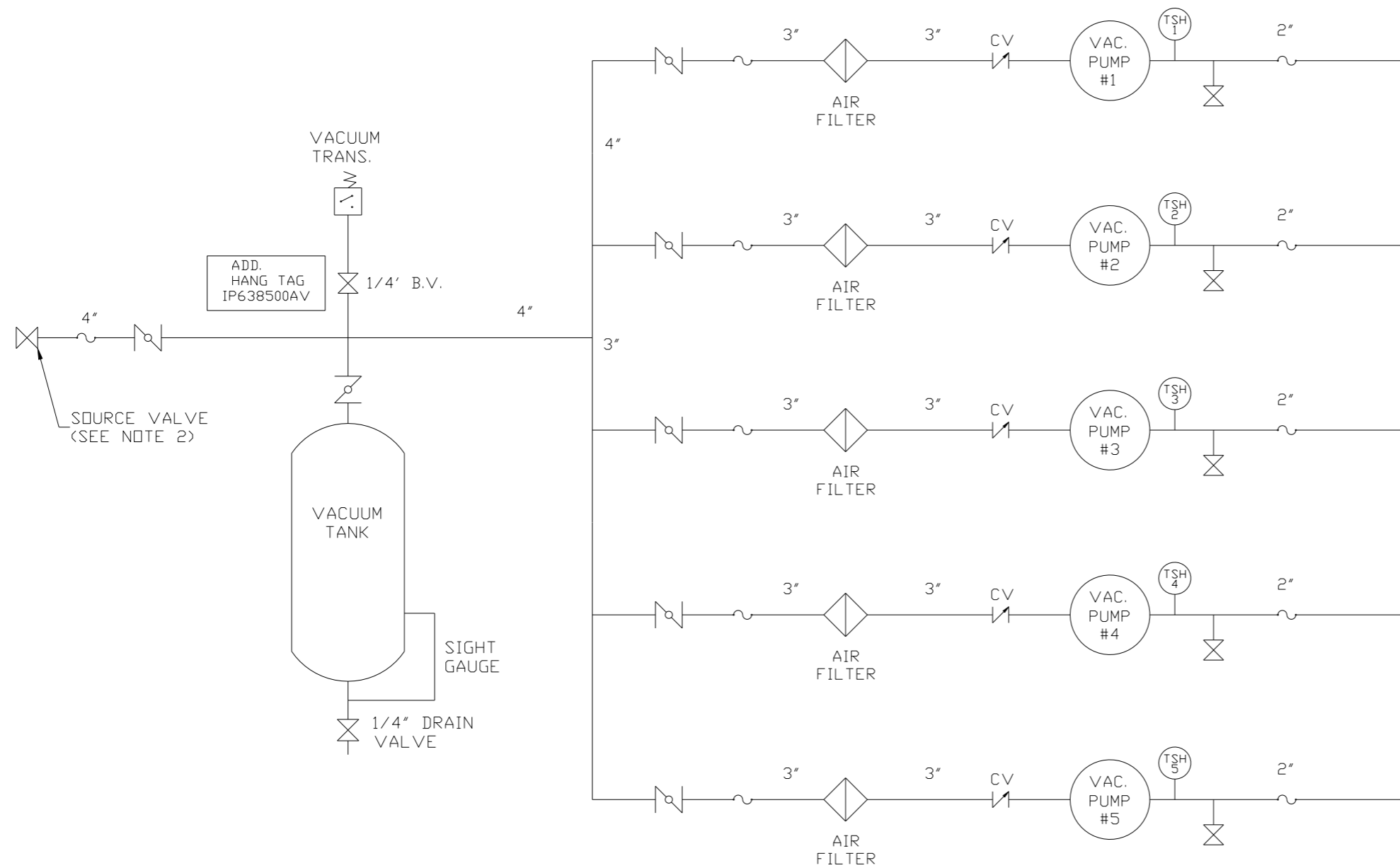
MINIMUM RECOMMENDED MAINTENANCE CLEARANCE



NOTE: SYSTEM DESIGNED IN COMPLIANCE WITH U.S. NFPA '99, LATEST EDITION.

SYMBOL LEGEND ⊖ = MINUS DRAFT ⊕ = PLUS DRAFT ⊕ = ADDITIONAL CONTROL REQ'D HRC = BRINELL HARDNESS		Drawings to conform to the current revision of the following ANSI standards: Y14.3 Multi and sectional view dgs. Y14.5M Dimensioning and tolerancing	
TOLERANCES NOT SPECIFIED .XX ± .XXX ± <<DEG> ±		AUTOCAD REL2008 LT INCH DO NOT SCALE DRAWING FOR DIMENSIONS Sheet 1 of 2 SCALE 1:20	
CONFIDENTIAL DISCLOSURE This drawing is the property of the CAMPBELL GROUP of the SCOTT FETZER COMPANY and subject to return on demand. Its contents are confidential and must not be copied or submitted to outside parties for use or examination.		DRAWN BY: AEK CHECKED BY: DMS APPROVED BY: AEK, RJR 6/22/12 6/22/12 6/22/12 6/22/12	
MATERIAL: N/A		POWEREX 150 PRODUCTION DRIVE, HARRISON, OHIO 45030 Ph 888-769-7979 FAX (513) 367-3125	
PART NAME: 15HP CLAW VAC PENTAPLEX 200GAL PACKAGE		DWG NO: CVPP1505 SIZE: D	

REV	ZONE	REVISION	DATE	ECN	NAME	CHKD
B-1	ALL	RELEASE TO PRODUCTION	7/19/10	22347	AEK	GES
C-1	1 ALL	UPDATED TO CURRENT STANDARD PANEL REMOVED VAC GAUGE	2/7/12	22723	AEK	GES
D-1	1 ALL	ADDED PBM-HMI BUILD SHEET	6/22/12	22610	AEK	DMS
E-1	ALL	UPDATED TO MM1502 PUMP	8/5/15	PKC0998	AEK	GES



NOTE:
A 1/4 INCH VENT PLUG IS
LOCATED IN THE FILTER HOUSING.

- NOTES:
1) TSH - TEMPERATURE SWITCH HIGH
2) PER NFPA THE SYSTEM WILL REQUIRE A SOURCE VALVE (SUPPLIED BY OTHERS).

LEGEND	
TSH	TEMP. SWITCH
	VACUUM SWITCH
	AIR FILTER
	BALL VALVE
	BUTTERFLY VALVE
	CHECK VALVE
	FLEX LINE
	UNION

SYMBOL LEGEND		= ADDITIONAL CONTROL REQ'D	Drawings to conform to the current revision of the following ANSI standards: Y14.3 Multi and sectional view dgs. Y14.5M Dimensioning and tolerancing		
= MINUS DRAFT	= PLUS DRAFT	= BRINELL HARDNESS			
TOLERANCES NOT SPECIFIED	AUTOCAD REL2008 LT	DO NOT SCALE DRAWING FOR DIMENSIONS			
.XX ±	INCH	Sheet 2 of 2	SCALE 1:20		
CONFIDENTIAL DISCLOSURE This drawing is the property of the CAMPBELL GROUP OF THE SCOTT FETZER COMPANY and subject to return on demand. Its contents are confidential and must not be copied or submitted to outside parties for use or examination.		DRAWN BY AEK	CHECKED BY GES	APPROVED BY ENGINEERING DMS	MFG/MKTG TH
MATERIAL N/A		7/19/10	7/19/10	7/19/10	7/19/10
PART NAME CLAW VAC PENTAPLEX FLOW SCHEMATIC				SIZE D	
		DWG NO CVPP1505		SIZE D	