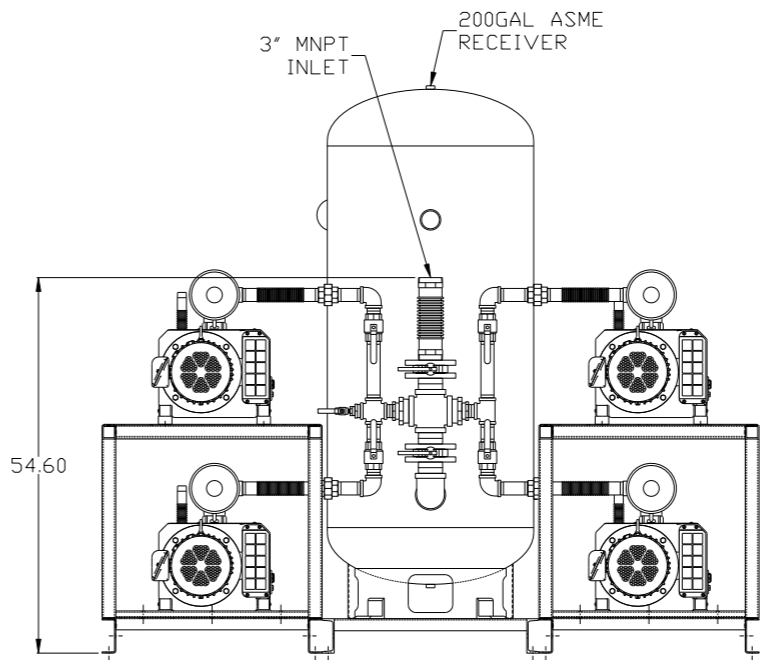
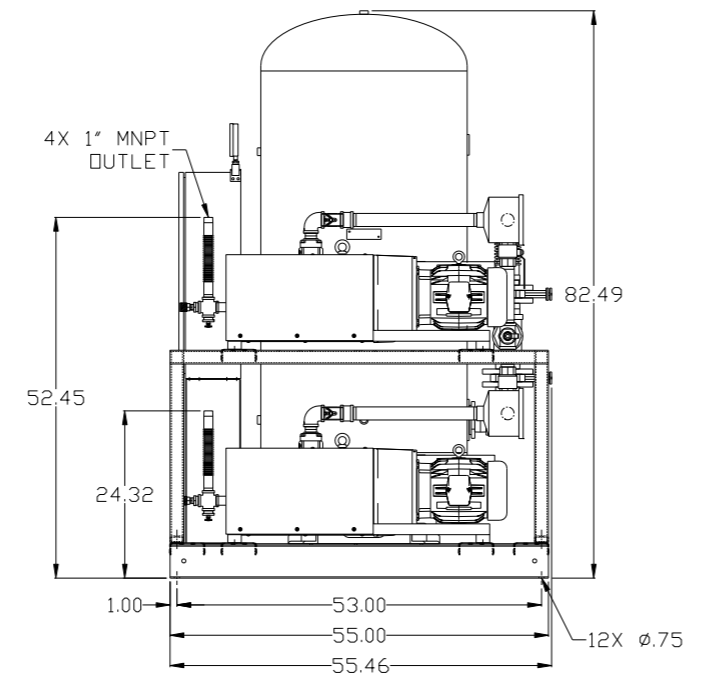
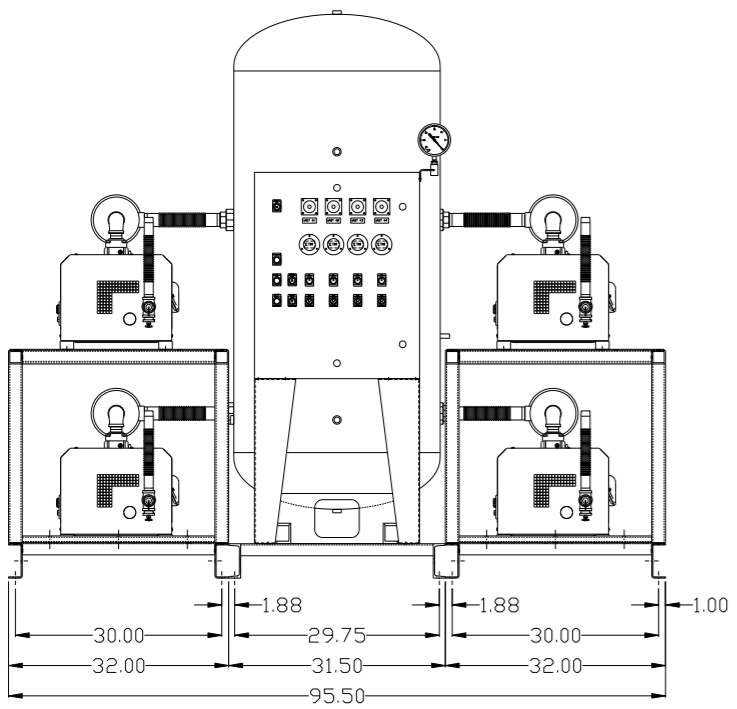
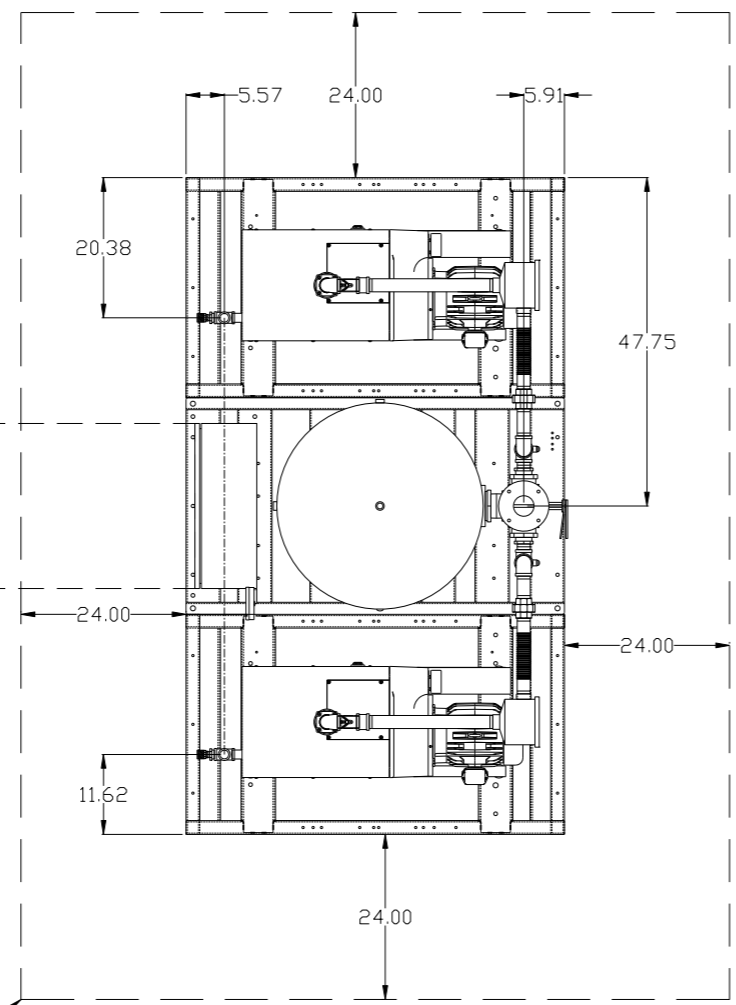


8 7 6 5 4 3 2 1

REV	ZONE	REVISION	DATE	ECN	NAME	CHKD
B-1	ALL	RELEASE TO PRODUCTION	6/27/08	21906	AEK	GES
C-1	1 ALL	REMOVED VACUUM SWITCHES FROM CONTROL PANEL	11/18/09	22127	AEK	GES
D-1	2 ALL 2 B6 ALL	ADDED SOURCE VALVE INFORMATION MADE HIGH TEMP STANDARDS ON BASIC CONTROLS ADDED SIGHT GAUGE CHANGED BALL VALVE/UNION TO BUTTERFLY VALVE ADDED P&ID SHEETS	12/10/15	PXEC0093	AEK	GES
E-1	1 ALL	UPDATED TO PUMP WITH NEMA RATED MOTOR	8/19/16	PXEC0149	AEK	GES

MINIMUM RECOMMENDED ELECTRICAL PANEL CLEARANCE PER OSHA/NEC REQUIREMENTS

MINIMUM RECOMMENDED MAINTENANCE CLEARANCE

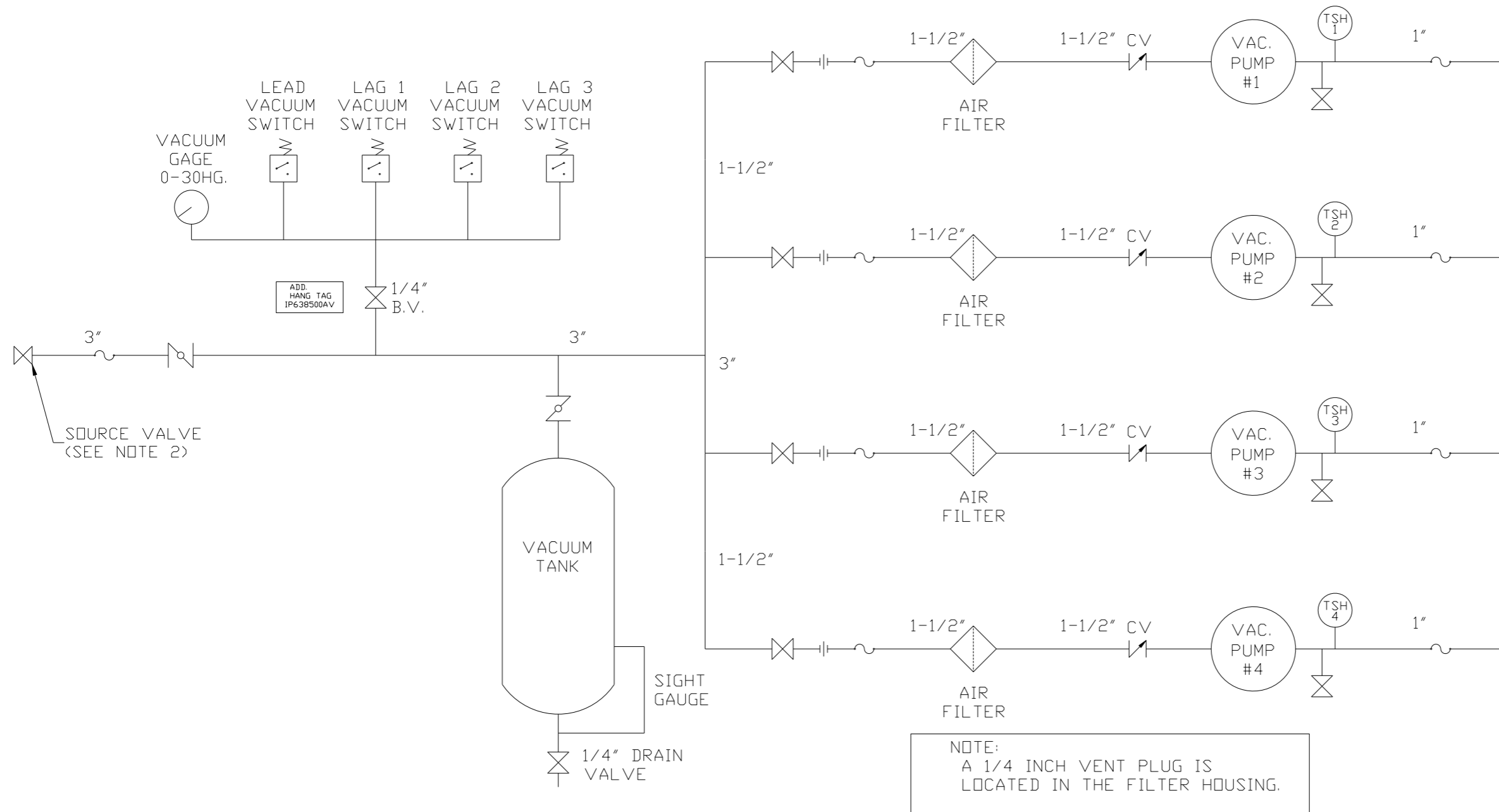


NOTE: SYSTEM DESIGNED IN COMPLIANCE WITH U.S. NFPA '99, LATEST EDITION.

SYMBOL LEGEND ⊖ = MINUS DRAFT ⊕ = PLUS DRAFT ⊕ = ADDITIONAL CONTROL REQ'D ⊕ = BRINELL HARDNESS		Drawings to conform to the current revision of the following ANSI standards: Y14.3 Multi and sectional view dgs. Y14.5M Dimensioning and tolerancing	
TOLERANCES NOT SPECIFIED .XX ± .XXX ± \angle (DEG) ±		AUTOCAD REL2008 LT INCH DO NOT SCALE DRAWING FOR DIMENSIONS Sheet 1 of 2 SCALE 1:14	
CONFIDENTIAL DISCLOSURE This drawing is the property of POWEREX, INC. of the SCOTT FEITZER COMPANY and subject to return on demand. Its contents are confidential and must not be copied or submitted to outside parties for use or examination.		DRAWN BY: AEK CHECKED BY: GES 6/27/08	
MATERIAL: N/A PART NAME: 5HP CLAW VACUUM 200GAL. QUADPLEX		APPROVED BY: DMS, RJR 6/27/08, 6/27/08, 6/27/08, 6/27/08 POWEREX 150 PRODUCTION DRIVE, HARRISON, OHIO 45030 Ph: 888-769-7979 FAX: (513) 367-3125	
DWG NO: CVPQ0505A		SIZE: D	

8 7 6 5 4 3 2 1

REV	ZONE	REVISION	DATE	ECN	NAME	CHKD
B-1	ALL	RELEASE TO PRODUCTION	6/27/08	21906	AEK	GES
C-1	1 ALL	REMOVED VACUUM SWITCHES FROM CONTROL PANEL	11/18/09	22127	AEK	GES
D-1	2 ALL 2 B6 ALL ALL	ADDED SOURCE VALVE INFORMATION MADE HIGH TEMP STANDARDS ON BASIC CONTROLS ADDED SIGHT GAUGE CHANGED BALL VALVE/UNION TO BUTTERFLY VALVE ADDED P&ID SHEETS	12/10/15	PXEC0093	AEK	GES
E-1	1 ALL	UPDATED TO PUMP WITH NEMA RATED MOTOR	8/19/16	PXEC0149	AEK	GES



NOTE:
A 1/4 INCH VENT PLUG IS
LOCATED IN THE FILTER HOUSING.

LEGEND	
	TEMP. SWITCH
	VACUUM SWITCH
	AIR FILTER
	BALL VALVE
	BUTTERFLY VALVE
	CHECK VALVE
	FLEX LINE
	UNION

NOTES:
1) TSH - TEMPERATURE SWITCH HIGH
2) PER NFPA THE SYSTEM WILL REQUIRE A SOURCE VALVE (SUPPLIED BY OTHERS).

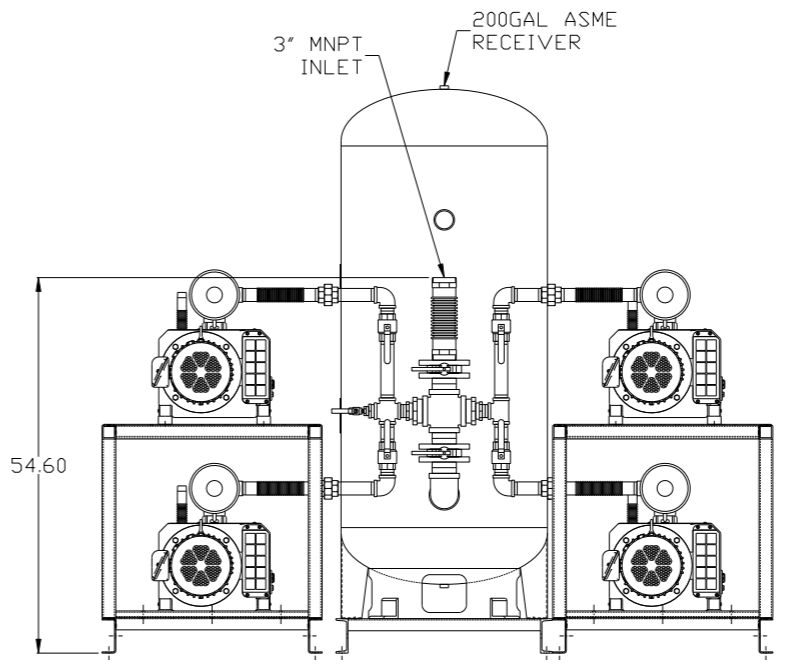
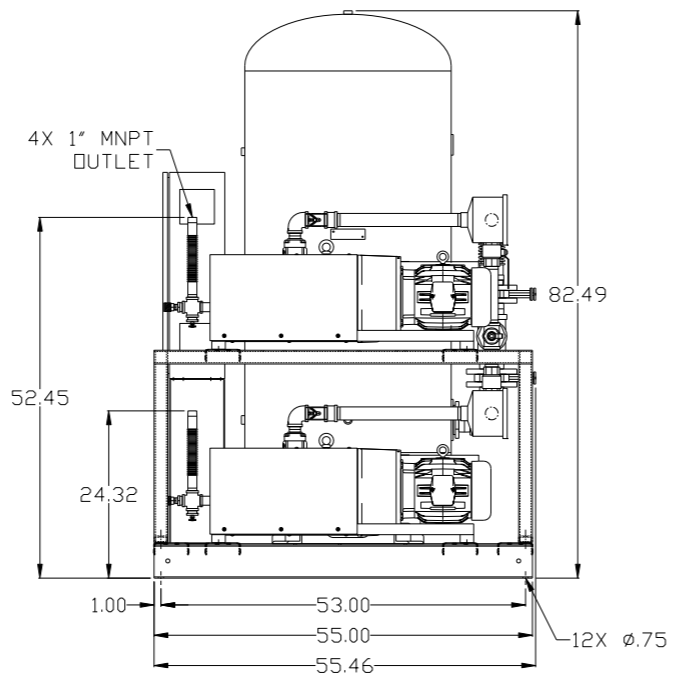
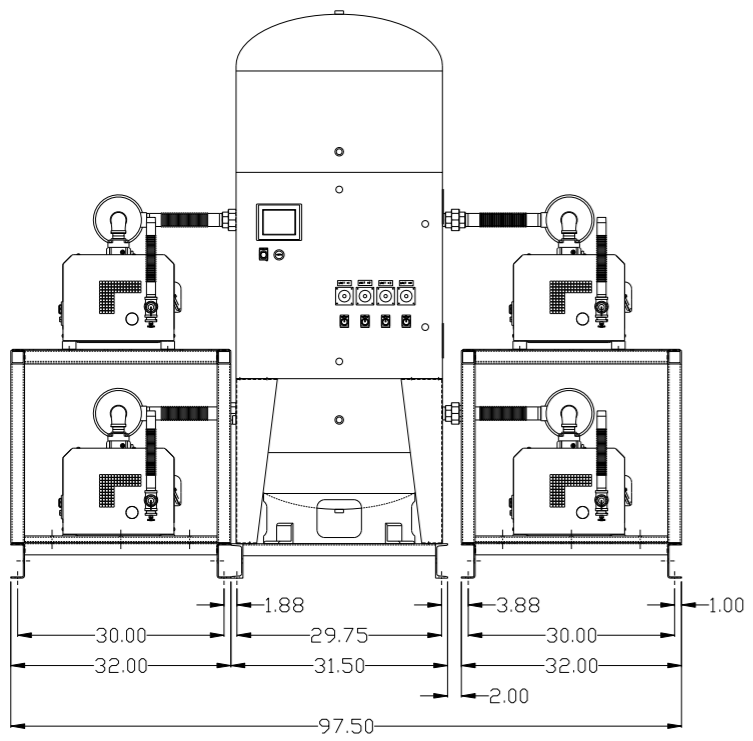
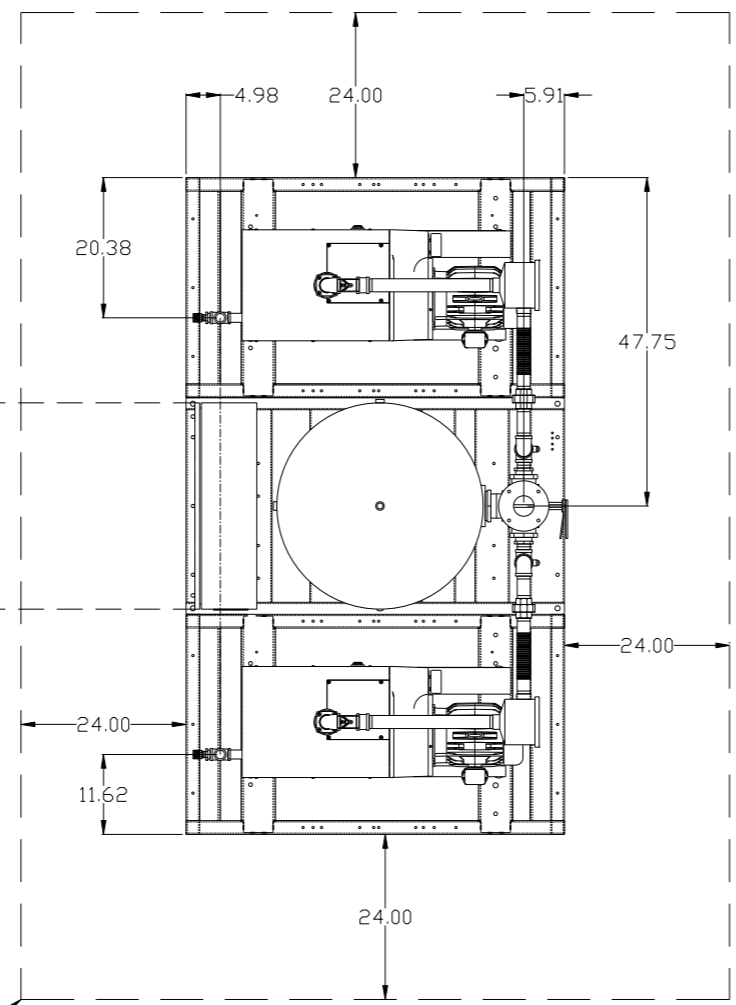
SYMBOL LEGEND			ADDITIONAL CONTROL REQ'D	Drawings to conform to the current revision of the following ANSI standards:	
	MINUS DRAFT		BRINELL HARDNESS	Y14.3 Multi and sectional view dsgs. Y14.5M Dimensioning and tolerancing	
TOLERANCES NOT SPECIFIED		AUTOCAD REL2008 LT	DO NOT SCALE DRAWING FOR DIMENSIONS		
.XX ±	.XXX ±	<<DEG> ±	INCH	Sheet 2 of 2	SCALE 1:14
CONFIDENTIAL DISCLOSURE This drawing is the property of POWEREX, INC. of the SCOTT FELTZER COMPANY and subject to return on demand. Its contents are confidential and must not be copied or submitted to outside parties for use or examination.					
DRAWN BY	CHECKED BY	ENGINEERING	MFG/MKTG		
AEK	GES	DMS	RJR		
DATE	DATE	DATE	DATE		
6/27/08	6/27/08	6/27/08	6/27/08		
MATERIAL		N/A			
PART NAME		VAC PACKAGE QUADPLEX FLOW SCHEMATIC			
DWG NO		CVPQ0505A		SIZE D	

8 7 6 5 4 3 2 1

REV	ZONE	REVISION	DATE	ECN	NAME	CHKD
2	ALL	ADDED SOURCE VALVE INFORMATION				
D-1	ALL	MADE HIGH TEMP STANDARD ON BASIC CONTROLS	12/10/15	PXEC0093	AEK	GES
	ALL	ADDED SIGHT GAUGE				
	ALL	CHANGED BALL VALVE/UNION TO BUTTERFLY VALVE				
	ALL	ADDED P&ID SHEETS				
E-1	ALL	UPDATED TO PUMP WITH NEMA RATED MOTOR	8/19/16	PXEC0149	AEK	GES

MINIMUM RECOMMENDED ELECTRICAL PANEL CLEARANCE PER OSHA/NEC REQUIREMENTS

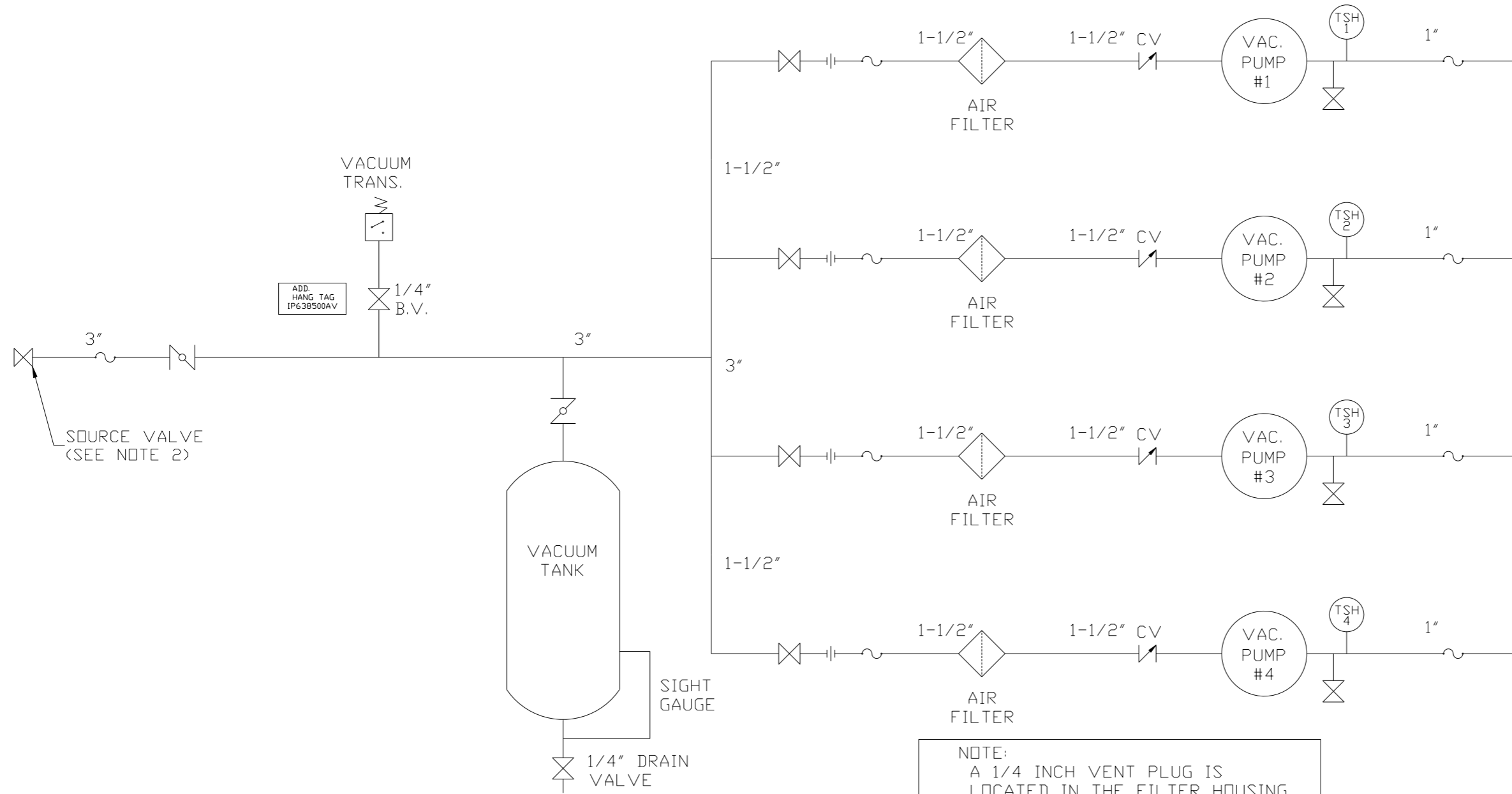
MINIMUM RECOMMENDED MAINTENANCE CLEARANCE



SYMBOL LEGEND		AUTOCAD REL2014 LT		DO NOT SCALE DRAWING FOR DIMENSIONS	
⊖	MINUS DRAFT	⊕	PLUS DRAFT	Sheet 1 of 2	
⊕	ADDITIONAL CONTROL REQ'D	⊕	BRINELL HARDNESS	SCALE 1:14	
TOLERANCES NOT SPECIFIED		INCH		12/10/15 12/10/15 12/10/15 12/10/15	
CONFIDENTIAL DISCLOSURE		DRAWN BY		CHECKED BY	
This drawing is the property of POWEREX, INC. of the SCOTT FEITZER COMPANY and subject to return on demand. Its contents are confidential and must not be copied or submitted to outside parties for use or examination.		AEK		GES	
		APPROVED BY		ENGINEERING MFG/MKTG	
		KMD		RJR	
MATERIAL		N/A		12/10/15 12/10/15 12/10/15 12/10/15	
PART NAME		5HP CLAW VACUUM		200GAL. QUADPLEX	
DWG NO		CVPQ0505A		SIZE D	

8 7 6 5 4 3 2 1

REV	ZONE	REVISION	DATE	ECN	NAME	CHKD
2	ALL	ADDED SOURCE VALVE INFORMATION				
1	ALL	MADE HIGH TEMP STANDARD DN BASIC CONTROLS				
D-1	2 BG	ADDED SIGHT GAUGE	12/10/15	PXEC0093	AEK	GES
	ALL	CHANGED BALL VALVE/UNION TO BUTTERFLY VALVE				
	ALL	ADDED P&ID SHEETS				
E-1	1 ALL	UPDATED TO PUMP WITH NEMA RATED MOTOR	8/19/16	PXEC0149	AEK	GES



NOTE:
A 1/4 INCH VENT PLUG IS
LOCATED IN THE FILTER HOUSING.

LEGEND	
	TEMP. SWITCH
	VACUUM SWITCH
	AIR FILTER
	BALL VALVE
	BUTTERFLY VALVE
	CHECK VALVE
	FLEX LINE
	UNION

NOTES:
1) TSH - TEMPERATURE SWITCH HIGH
2) PER NFPA THE SYSTEM WILL REQUIRE A SOURCE VALVE (SUPPLIED BY OTHERS).

SYMBOL LEGEND		Drawings to conform to the current revision of the following ANSI standards	
	MINUS DRAFT		ADDITIONAL CONTROL REQ'D
	PLUS DRAFT		BRINELL HARDNESS
TOLERANCES NOT SPECIFIED		DO NOT SCALE DRAWING FOR DIMENSIONS	
.XX ±		AUTOCAD REL2014	Sheet 2 of 2
.XXX ±		INCH	SCALE 1:14
<<DEG>> ±			
CONFIDENTIAL DISCLOSURE This drawing is the property of POWEREX, INC. or the SCOTT FETZER COMPANY and subject to return on demand. Its contents are confidential and must not be copied or submitted to outside parties for use or examination.			
DRAWN BY	CHECKED BY	ENGINEERING	APPROVED BY
AEK	GES	KMD	RJR
12/10/15	12/10/15	12/10/15	12/10/15
MATERIAL N/A			
PART NAME VAC PACKAGE QUADPLEX FLOW SCHEMATIC		150 PRODUCTION DRIVE, HARRISON, OHIO 45030 Ph 888-769-7979 FAX (513) 367-3125	
DWG NO CVPQ0505A		SIZE D	