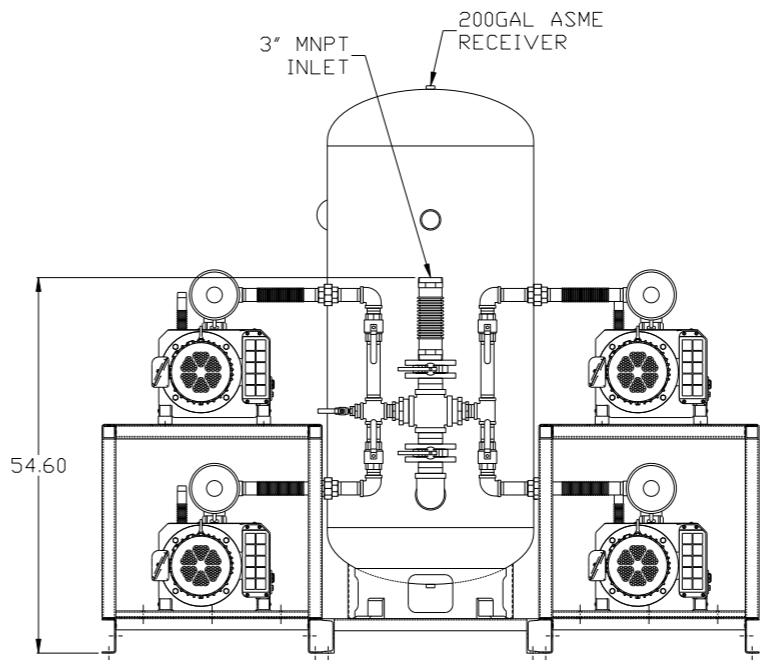
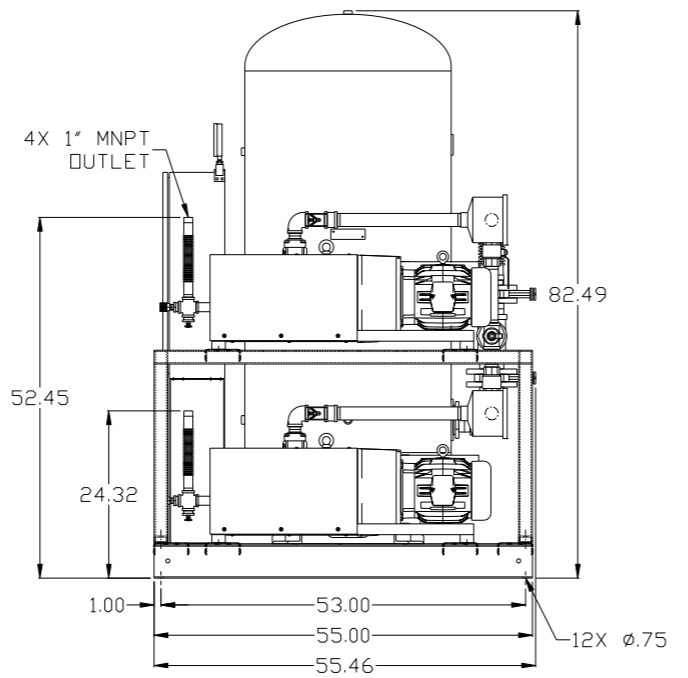
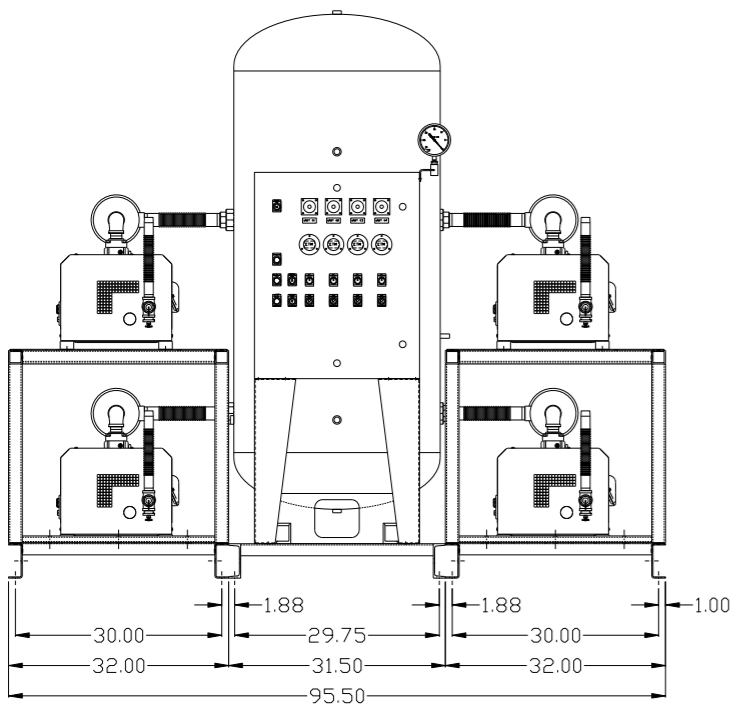
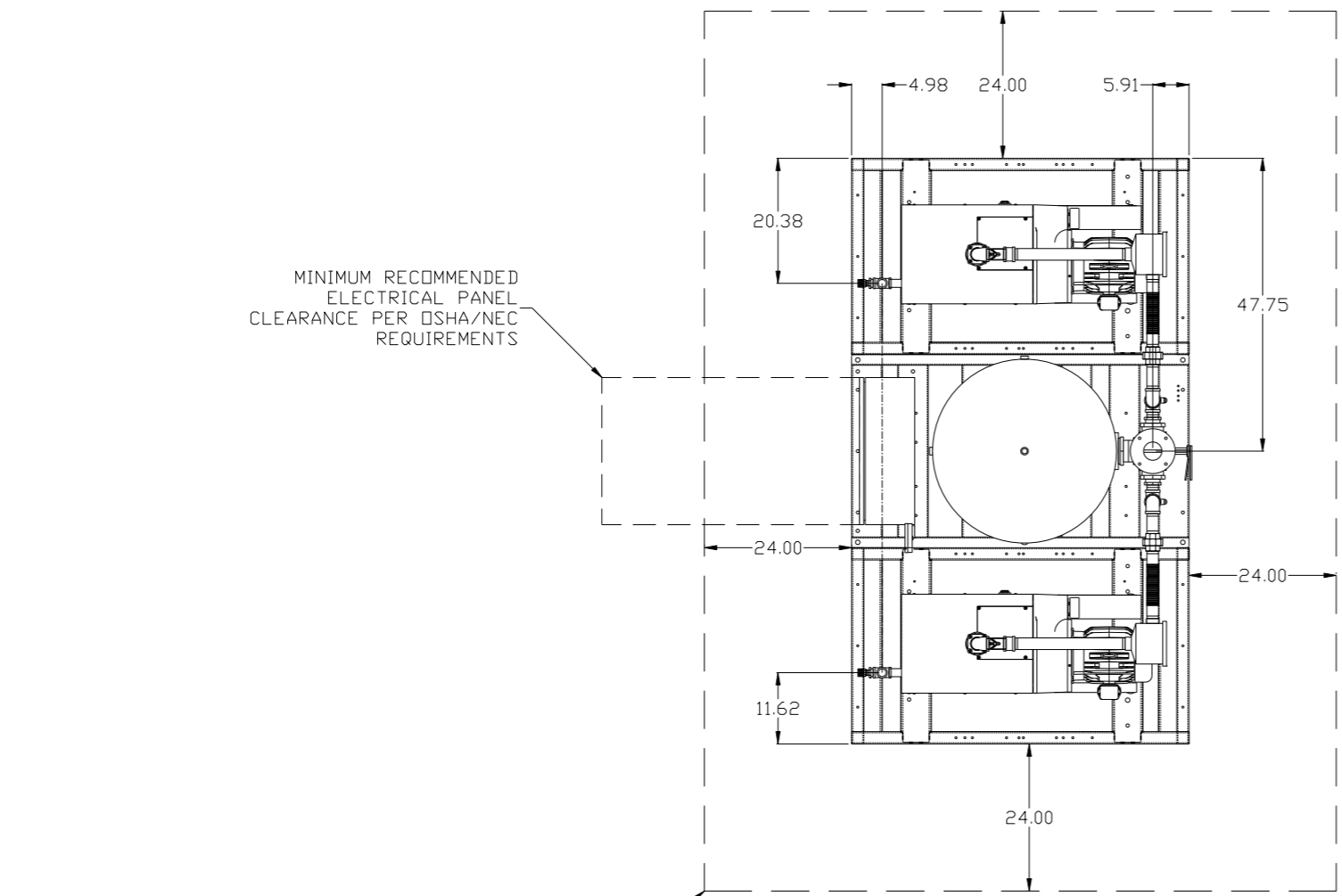


REV	ZONE	REVISION	DATE	ECN	NAME	CHKD
B-1	ALL	RELEASE TO PRODUCTION	6/27/08	21906	AEK	GES
C-1	1 ALL	REMOVED VACUUM SWITCHES FROM CONTROL PANEL	11/18/09	22127	AEK	GES
D-1	ALL	ADDED SHEETS 3 & 4	4/30/10	22348	AEK	GES
E-1	4 ALL	ADDED DRIP LEG	5/3/10	22390	AEK	GES
F-1	ALL	ADDED PBM/HMI SHEETS	12/23/13	PXEC0030	AEK	GES
G-1	ALL	UPDATED TO PUMP WITH NEMA RATED MOTOR	8/26/16	PXEC0149	AEK	GES

MINIMUM RECOMMENDED ELECTRICAL PANEL CLEARANCE PER OSHA/NEC REQUIREMENTS

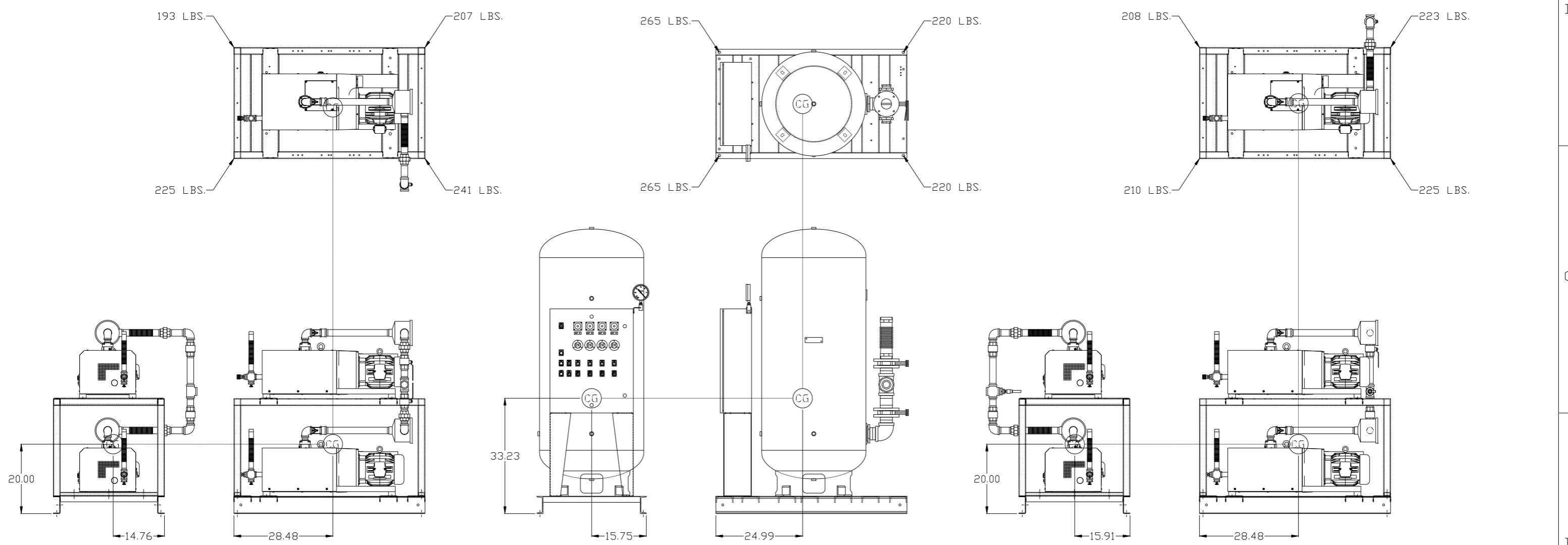
MINIMUM RECOMMENDED MAINTENANCE CLEARANCE



NOTE: SYSTEM DESIGNED IN COMPLIANCE WITH U.S. NFPA '99, LATEST EDITION.

SYMBOL LEGEND ⊖ = MINUS DRAFT ⊕ = PLUS DRAFT ⊕ = ADDITIONAL CONTROL REQ'D ⊕ = BRINELL HARDNESS		Drawings to conform to the current revision of the following ANSI standards: Y14.3 Multi and sectional view dgs. Y14.5M Dimensioning and tolerancing	
TOLERANCES NOT SPECIFIED .XX ± .XXX ± \angle (DEG) ±		DO NOT SCALE DRAWING FOR DIMENSIONS Sheet 1 of 4 SCALE 1:14	
CONFIDENTIAL DISCLOSURE This drawing is the property of POWEREX, INC. of the SCOTT FEITZER COMPANY and subject to return on demand. Its contents are confidential and must not be copied or submitted to outside parties for use or examination.		AUTOCAD REL2008 LT INCH	
MATERIAL N/A		PART NAME 5HP CLAW VACUUM 200GAL. QUADPLEX	
DRAWN BY AEK		CHECKED BY GES	
APPROVED BY DMS		ENGINEERING RJR	
6/27/08		6/27/08 6/27/08 6/27/08	
DWG NO CVPQ0505B		SIZE D	

REV	ZONE	REVISION	DATE	ECN	NAME	CHKD
D-1	ALL	ADDED SHEETS 3 & 4	4/30/10	22348	AEK	GES
E-1	4 ALL	ADDED DRIP LEG	5/3/10	22390	AEK	GES
F-1	ALL	ADDED PBM/HMI SHEETS	12/23/13	PXEC0030	AEK	GES
G-1	ALL	UPDATED TO PUMP WITH NEMA RATED MOTOR	8/26/16	PXEC0149	AEK	GES



PUMP SKID #2:
 TOTAL WEIGHT: 866 LBS
 C.O.G. DIMENSIONS
 X (FRONT): -14.76"
 Y (RIGHT): 28.48"
 Z (HEIGHT): 20.00"

PANEL/TANK SKID:
 TOTAL WEIGHT: 970 LBS
 C.O.G. DIMENSIONS
 X (FRONT): -15.75"
 Y (RIGHT): 24.99"
 Z (HEIGHT): 33.23"

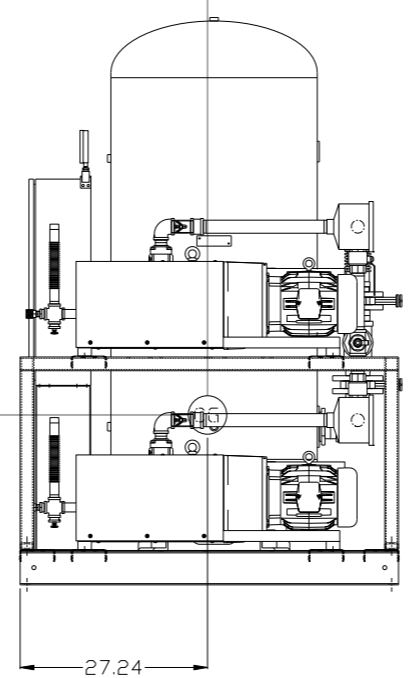
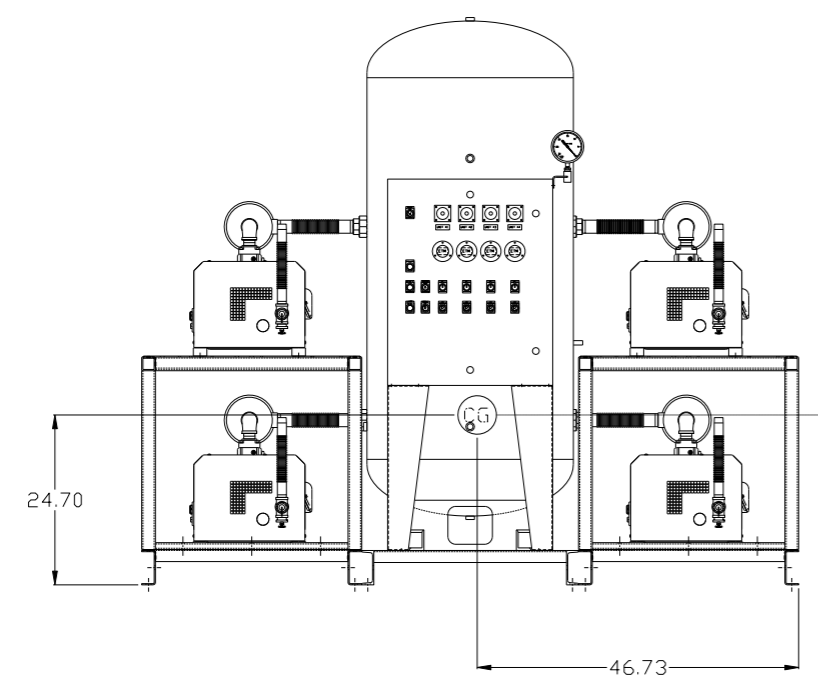
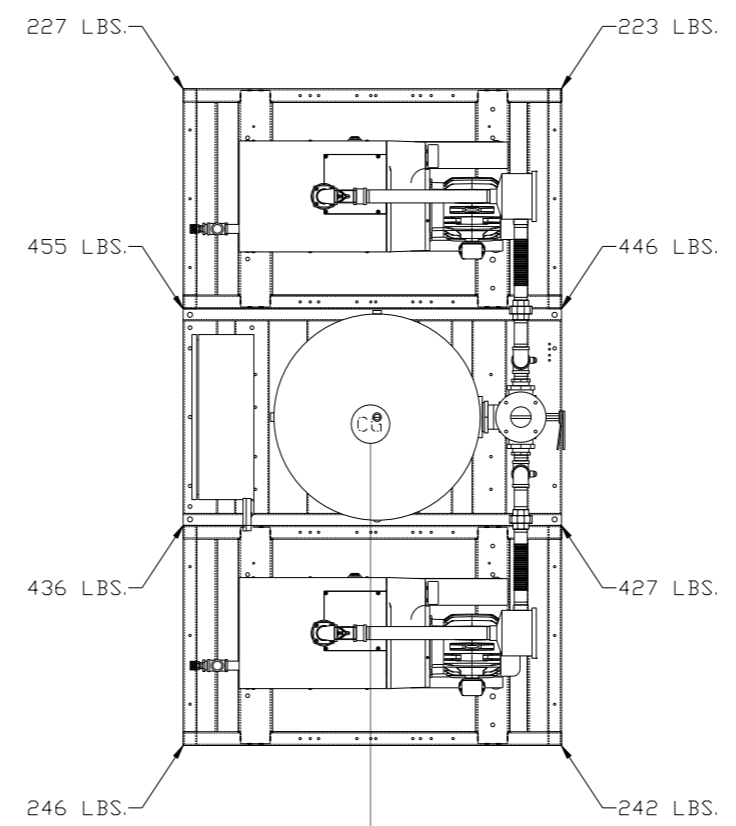
PUMP SKID #1:
 TOTAL WEIGHT: 866 LBS
 C.O.G. DIMENSIONS
 X (FRONT): -15.91"
 Y (RIGHT): 28.48"
 Z (HEIGHT): 20.00"

denotes center of gravity (CG)

SYMBOL LEGEND ⊖ = MINUS DRAFT ⊕ = PLUS DRAFT HRC = BRINELL HARDNESS		= ADDITIONAL CONTROL REQ'D = BRINELL HARDNESS		Drawings to conform to the current revision of the following ANSI standards: Y14.3 Multi and sectional view dgs. Y14.5M Dimensioning and tolerancing	
TOLERANCES NOT SPECIFIED .XX ± .XXX ± \angle (DEG) ±		AUTOCAD REL2008 LT INCH		DO NOT SCALE DRAWING FOR DIMENSIONS Sheet 2 of 4 SCALE 1:14	
CONFIDENTIAL DISCLOSURE This drawing is the property of POWEREX, INC. of the SCOTT FELTZER COMPANY and subject to return on demand. Its contents are confidential and must not be copied or submitted to outside parties for use or examination.					
DRAWN BY AEK		CHECKED BY GES		APPROVED BY ENGINEERING MFG/MKTG DMS RJR	
DATE 4/30/10		DATE 4/30/10		DATE 4/30/10	
MATERIAL N/A		150 PRODUCTION DRIVE, HARRISON, OHIO 45030 Ph: 888-769-7979 FAX: (513) 367-3125			
PART NAME 5HP CLAW VACUUM 200GAL. QUADPLEX		DWG NO CVPQ0505B		SIZE D	

8 7 6 5 4 3 2 1

REV	ZONE	REVISION	DATE	ECN	NAME	CHKD
D-1	ALL	ADDED SHEETS 3 & 4	4/30/10	22348	AEK	GES
E-1	4 ALL	ADDED DRIP LEG	5/3/10	22390	AEK	GES
F-1	ALL	ADDED PBM/HMI SHEETS	12/23/13	PXEC0030	AEK	GES
G-1	ALL	UPDATED TO PUMP WITH NEMA RATED MOTOR	8/26/16	PXEC0149	AEK	GES



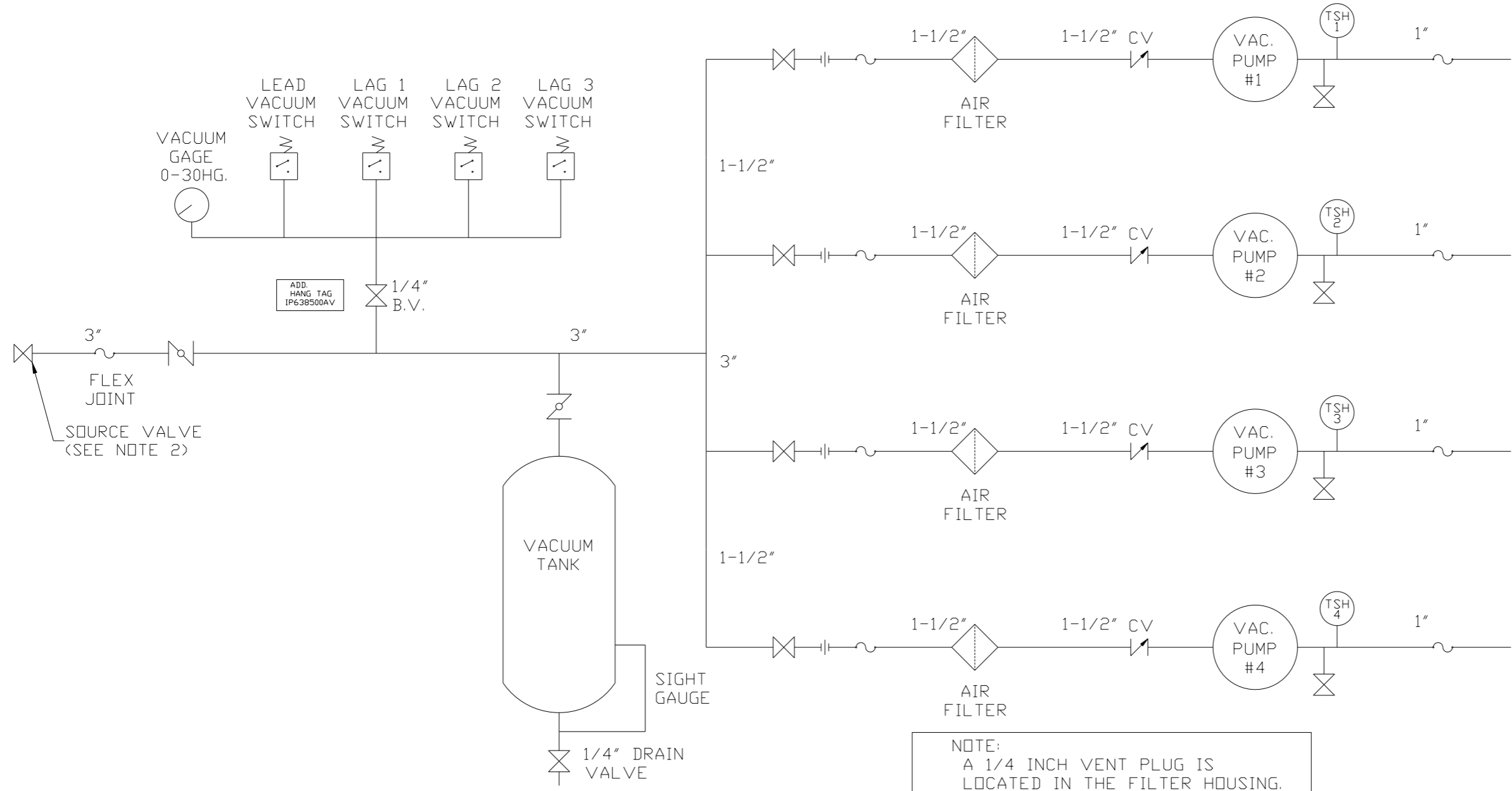
denotes center of gravity (CG)

VACUUM SYSTEM:
 TOTAL WEIGHT: 2702 LBS
 C.O.G. DIMENSIONS
 X (FRONT): -46.73"
 Y (RIGHT): 27.23"
 Z (HEIGHT): 24.70"

SYMBOL LEGEND ⊖ = MINUS DRAFT ⊕ = PLUS DRAFT ∅ = ADDITIONAL CONTROL REQ'D HRC = BRINELL HARDNESS		Drawings to conform to the current revision of the following ANSI standards: Y14.3 Multi and sectional view dgs. Y14.5M Dimensioning and tolerancing	
TOLERANCES NOT SPECIFIED .XX ± .XXX ± \angle (DEG) ±		AUTOCAD REL2008 LT INCH DO NOT SCALE DRAWING FOR DIMENSIONS Sheet 3 of 4 SCALE 1: 14	
CONFIDENTIAL DISCLOSURE This drawing is the property of POWEREX, INC. of the SCOTT FEITZER COMPANY and subject to return on demand. Its contents are confidential and must not be copied or submitted to outside parties for use or examination.		DRAWN BY: AEK CHECKED BY: GES ENGINEERING: DMS MFG/MKTG: RJR 4/30/10 4/30/10 4/30/10 4/30/10	
MATERIAL: N/A		POWEREX 150 PRODUCTION DRIVE, HARRISON, OHIO 45030 Ph: 888-769-7979 FAX: (513) 367-3125	
PART NAME: 5HP CLAW VACUUM 200GAL. QUADPLEX		DWG NO: CVPQ0505B SIZE: D	

8 7 6 5 4 3 2 1

REV	ZONE	REVISION	DATE	ECN	NAME	CHKD
B-1	ALL	RELEASE TO PRODUCTION	6/27/08	21906	AEK	GES
C-1	1 ALL	REMOVED VACUUM SWITCHES FROM CONTROL PANEL	11/18/09	22127	AEK	GES
D-1	ALL	ADDED SHEETS 3 & 4	4/30/10	22348	AEK	GES
E-1	4 ALL	ADDED DRIP LEG	5/3/10	22390	AEK	GES
F-1	ALL	ADDED PBM/HMI SHEETS	12/23/13	PXEC0030	AEK	GES
G-1	ALL	UPDATED TO PUMP WITH NEMA RATED MOTOR	8/26/16	PXEC0149	AEK	GES



NOTE:
A 1/4 INCH VENT PLUG IS
LOCATED IN THE FILTER HOUSING.

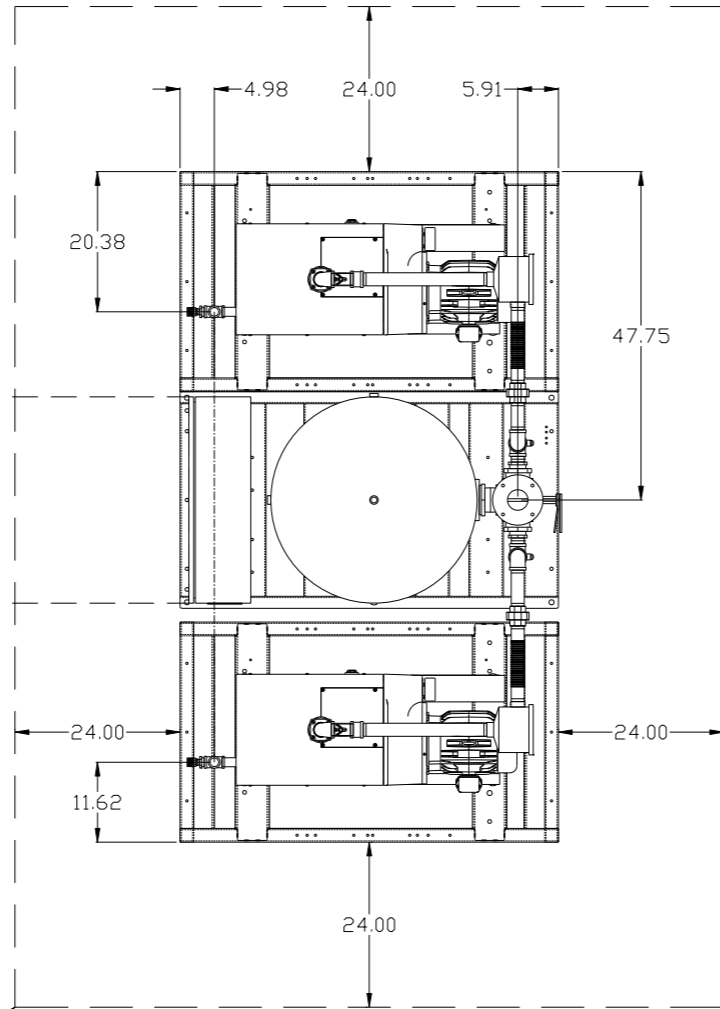
LEGEND	
	TEMP. SWITCH
	VACUUM SWITCH
	AIR FILTER
	BALL VALVE
	BUTTERFLY VALVE
	CHECK VALVE
	FLEX LINE
	UNION

NOTES:
1) TSH - TEMPERATURE SWITCH HIGH
2) PER NFPA THE SYSTEM WILL REQUIRE A SOURCE VALVE (SUPPLIED BY OTHERS).

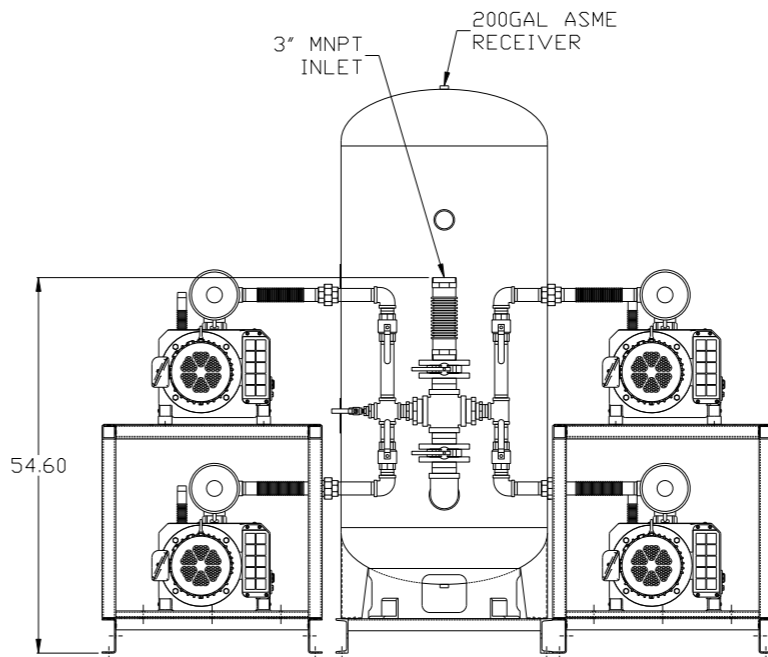
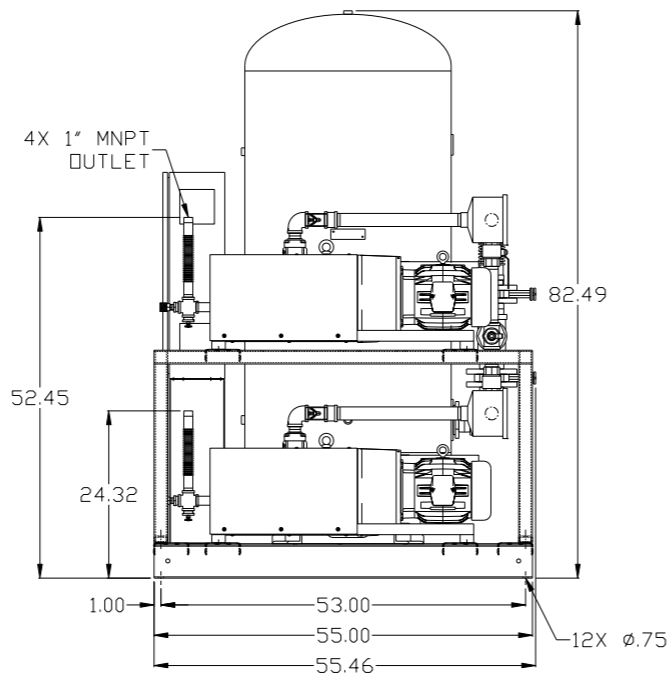
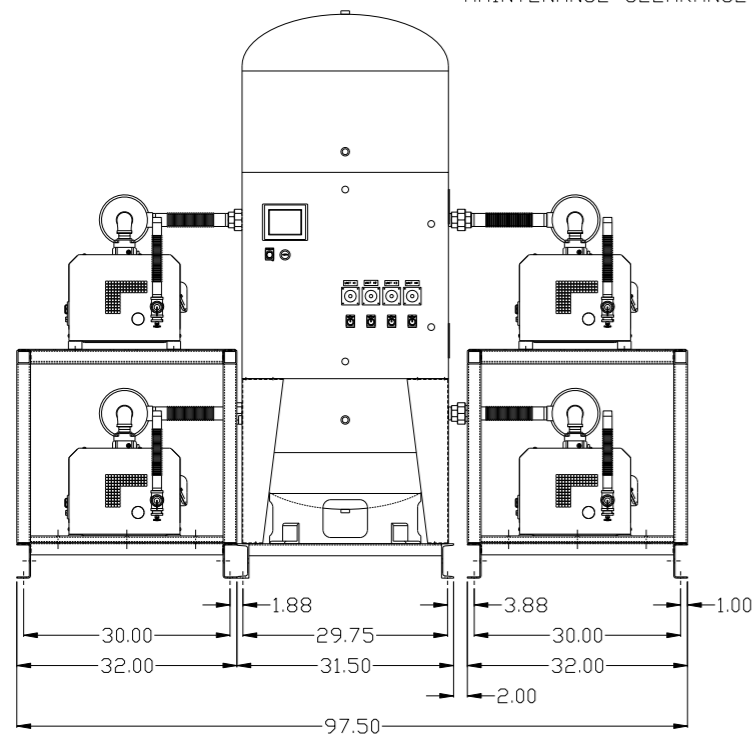
SYMBOL LEGEND			ADDITIONAL CONTROL REQ'D	Drawings to conform to the current revision of the following ANSI standards
	MINUS DRAFT		BRINELL HARDNESS	Y14.3 Multi and sectional view dgs. Y14.5M Dimensioning and tolerancing
TOLERANCES NOT SPECIFIED		AUTOCAD REL2008 LT	DO NOT SCALE DRAWING FOR DIMENSIONS	
.XX ±	.XXX ±	INCH	Sheet 4 of 4	SCALE 1:14
CONFIDENTIAL DISCLOSURE This drawing is the property of POWEREX, INC. of the SCOTT FETZER COMPANY and subject to return on demand. Its contents are confidential and must not be copied or submitted to outside parties for use or examination.				
DRAWN BY	CHECKED BY	ENGINEERING	MFG/MKTG	
AEK	GES	DMS	RJR	
6/27/08	6/27/08	6/27/08	6/27/08	
MATERIAL N/A				
PART NAME VAC PACKAGE QUADPLEX FLOW SCHEMATIC		150 PRODUCTION DRIVE, HARRISON, OHIO 45030 Ph 888-769-7979 FAX (513) 367-3125		
DWG NO CVPQ0505B		SIZE D		

REV	ZONE	REVISION	DATE	ECN	NAME	CHKD
F-1	ALL	ADDED PBM/AMI SHEETS	12/23/13	PXEC0030	AEK	GES
G-1	AL	UPDATED TO PUMP WITH NEMA RATED MOTOR	8/26/16	PXEC0149	AEK	GES

MINIMUM RECOMMENDED ELECTRICAL PANEL CLEARANCE PER OSHA/NEC REQUIREMENTS



MINIMUM RECOMMENDED MAINTENANCE CLEARANCE

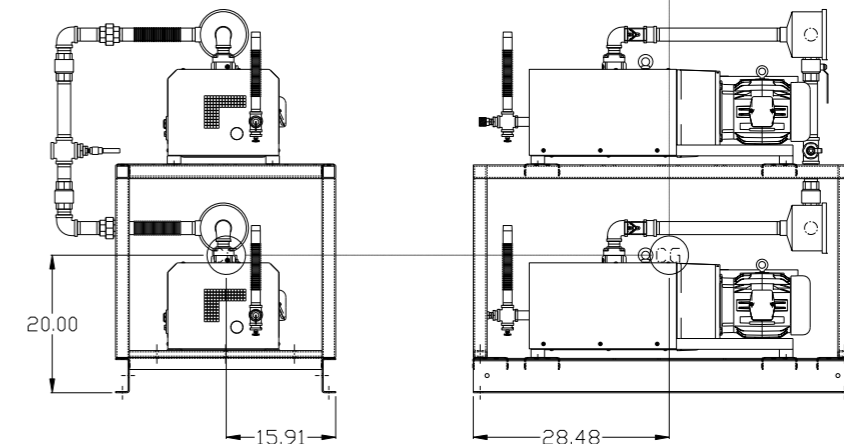
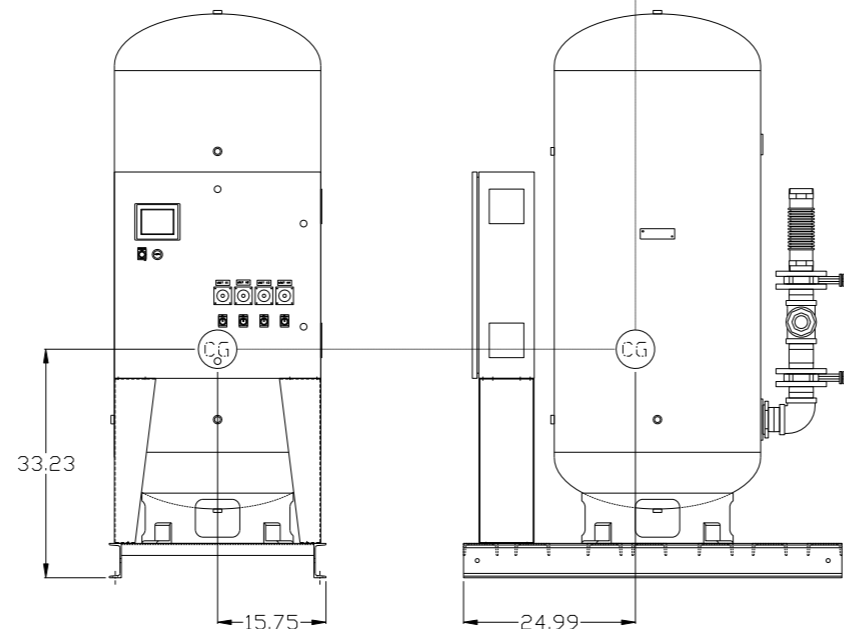
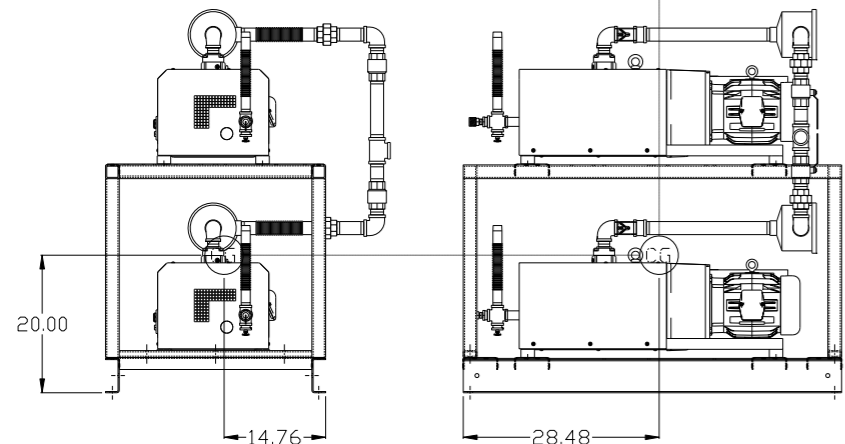
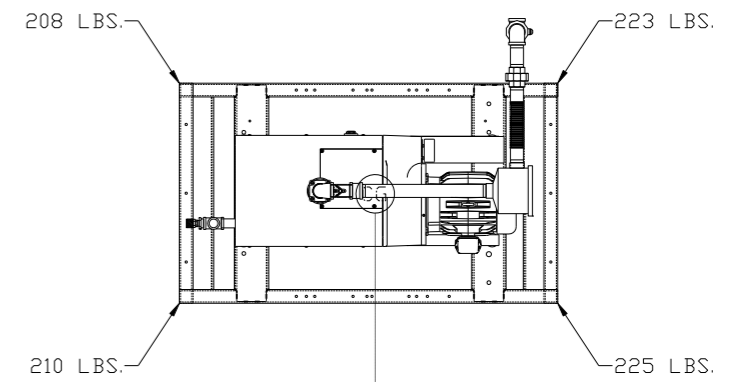
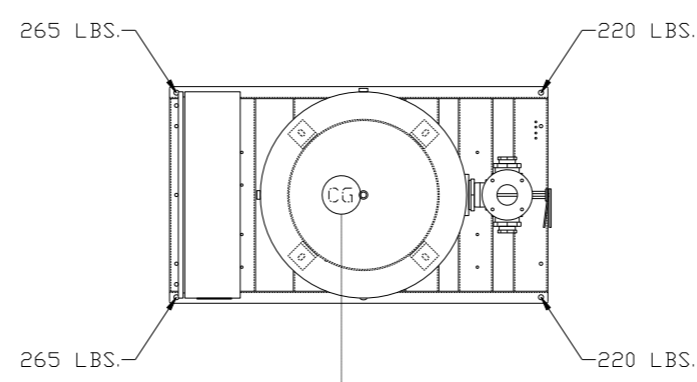
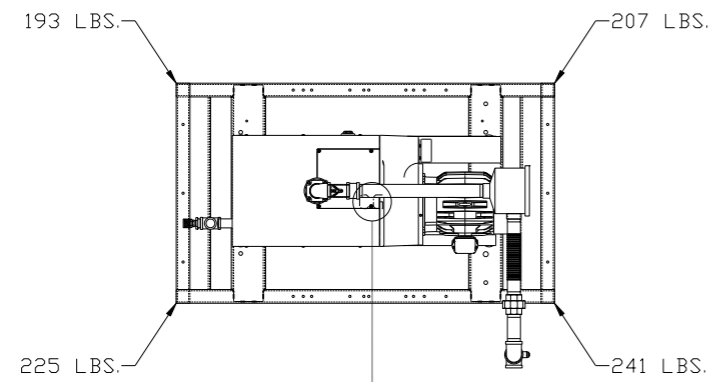


NOTE: SYSTEM DESIGNED IN COMPLIANCE WITH U.S. NFPA '99, LATEST EDITION.

SYMBOL LEGEND		= ADDITIONAL CONTROL REQ'D		Drawings to conform to the current revision of the following ANSI standards:	
⊖	MINUS DRAFT	⊕	PLUS DRAFT	Ⓢ	BRINELL HARDNESS
TOLERANCES NOT SPECIFIED		AUTOCAD REL2014 LT		DO NOT SCALE DRAWING FOR DIMENSIONS	
.XX	±	INCH		Sheet 1 of 4	SCALE 1:14
.XXX	±				
<Z<DEG>	±				
CONFIDENTIAL DISCLOSURE: This drawing is the property of POWEREX, INC. of the SCOTT FEITZER COMPANY and subject to return on demand. Its contents are confidential and must not be copied or submitted to outside parties for use or examination.					
MATERIAL		N/A		DRAWN BY: AEK, CHECKED BY: GES, ENGINEERING: DMS, MFG/MKTG: TH, APPROVED BY: DMS, TH	
PART NAME		5HP CLAW VACUUM		12/23/13 12/23/13 12/23/13 12/23/13	
		200GAL. QUADPLEX		POWEREX 150 PRODUCTION DRIVE, HARRISON, OHIO 45030 Ph 888-769-7979 FAX (513) 367-3125	
		DWG NO		CVPQ0505B	
				SIZE D	

8 7 6 5 4 3 2 1

REV	ZONE	REVISION	DATE	ECN	NAME	CHKD
F-1	ALL	ADDED PBM/AMI SHEETS	12/23/13	PXEC0030	AEK	GES
G-1	ALL	UPDATED TO PUMP WITH NEMA RATED MOTOR	8/26/16	PXEC0149	AEK	GES



PUMP SKID #2:
 TOTAL WEIGHT: 866 LBS
 C.O.G. DIMENSIONS
 X (FRONT): -14.76"
 Y (RIGHT): 28.48"
 Z (HEIGHT): 20.00"

PANEL/TANK SKID:
 TOTAL WEIGHT: 970 LBS
 C.O.G. DIMENSIONS
 X (FRONT): -15.75"
 Y (RIGHT): 24.99"
 Z (HEIGHT): 33.23"

PUMP SKID #1:
 TOTAL WEIGHT: 866 LBS
 C.O.G. DIMENSIONS
 X (FRONT): -15.91"
 Y (RIGHT): 28.48"
 Z (HEIGHT): 20.00"

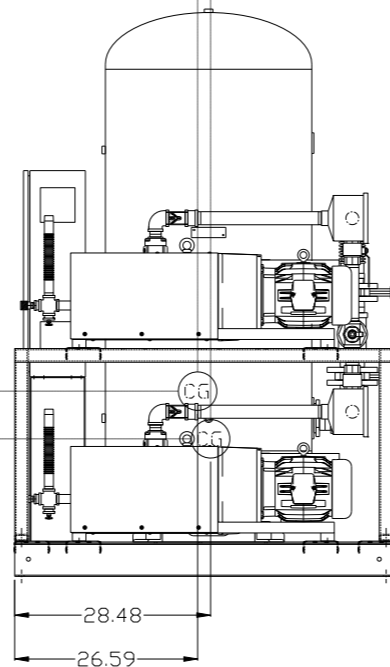
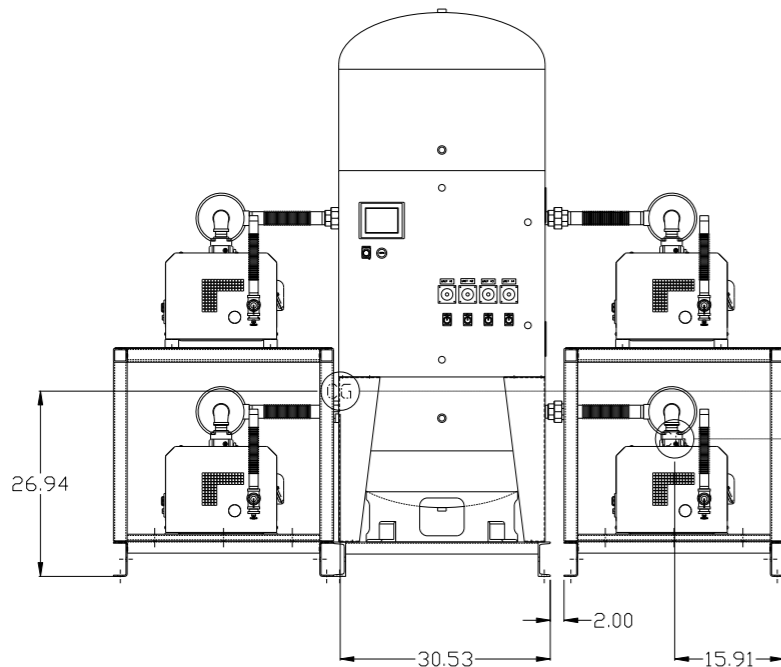
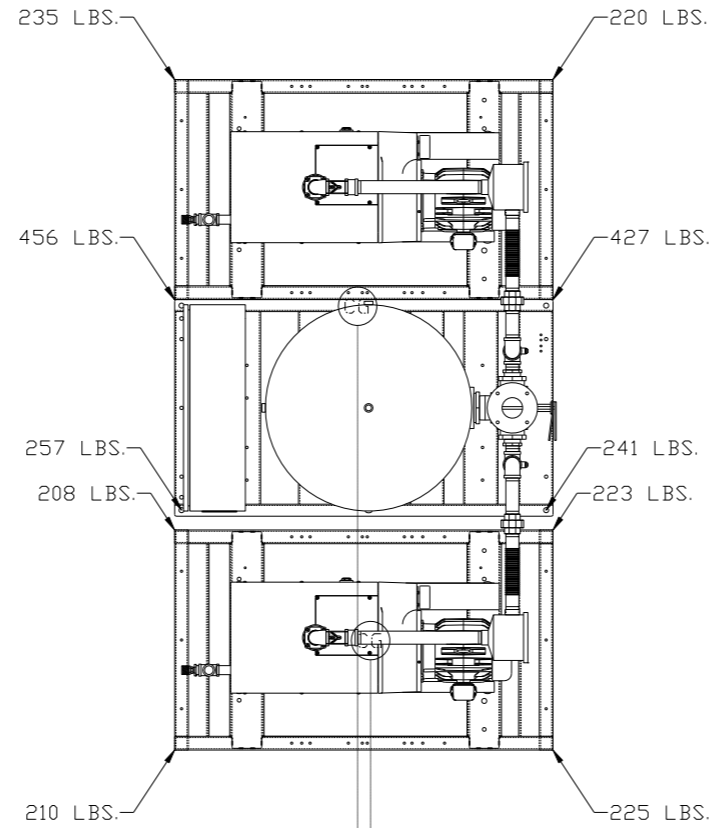
denotes center of gravity (CG)

SYMBOL LEGEND ⊖ = MINUS DRAFT ⊕ = PLUS DRAFT HRC = BRINELL HARDNESS		= ADDITIONAL CONTROL REQ'D = TOLERANCES NOT SPECIFIED		Drawings to conform to the current revision of the following ANSI standards: Y14.3 Multi and sectional view dgs. Y14.5M Dimensioning and tolerancing	
TOLERANCES NOT SPECIFIED .XX ± .XXX ± \angle (DEG) ±		AUTOCAD REL2014 LT INCH		DO NOT SCALE DRAWING FOR DIMENSIONS Sheet 2 of 4 SCALE 1:14	
CONFIDENTIAL DISCLOSURE This drawing is the property of POWEREX, INC. of the SCOTT FELTZER COMPANY and subject to return on demand. Its contents are confidential and must not be copied or submitted to outside parties for use or examination.					
DRAWN BY AEK		CHECKED BY GES		APPROVED BY ENGINEERING MFG/MKTG DMS TH	
DATE 12/23/13		DATE 12/23/13		DATE 12/23/13	
MATERIAL N/A		PART NAME 5HP CLAW VACUUM 200GAL. QUADPLEX		DWG NO CVPQ0505B	
				SIZE D	

8 7 6 5 4 3 2 1

8 7 6 5 4 3 2 1

REV	ZONE	REVISION	DATE	ECN	NAME	CHKD
F-1	ALL	ADDED PBM/HMI SHEETS	12/23/13	PXEC0030	AEK	GES
G-1	AL	UPDATED TO PUMP WITH NEMA RATED MOTOR	8/26/16	PXEC0149	AEK	GES



PUMP SKID #1:

TOTAL WEIGHT: 866 LBS
C.D.G. DIMENSIONS
X (FRONT): -15.91"
Y (RIGHT): 28.48"
Z (HEIGHT): 20.00"

denotes center of gravity (CG)

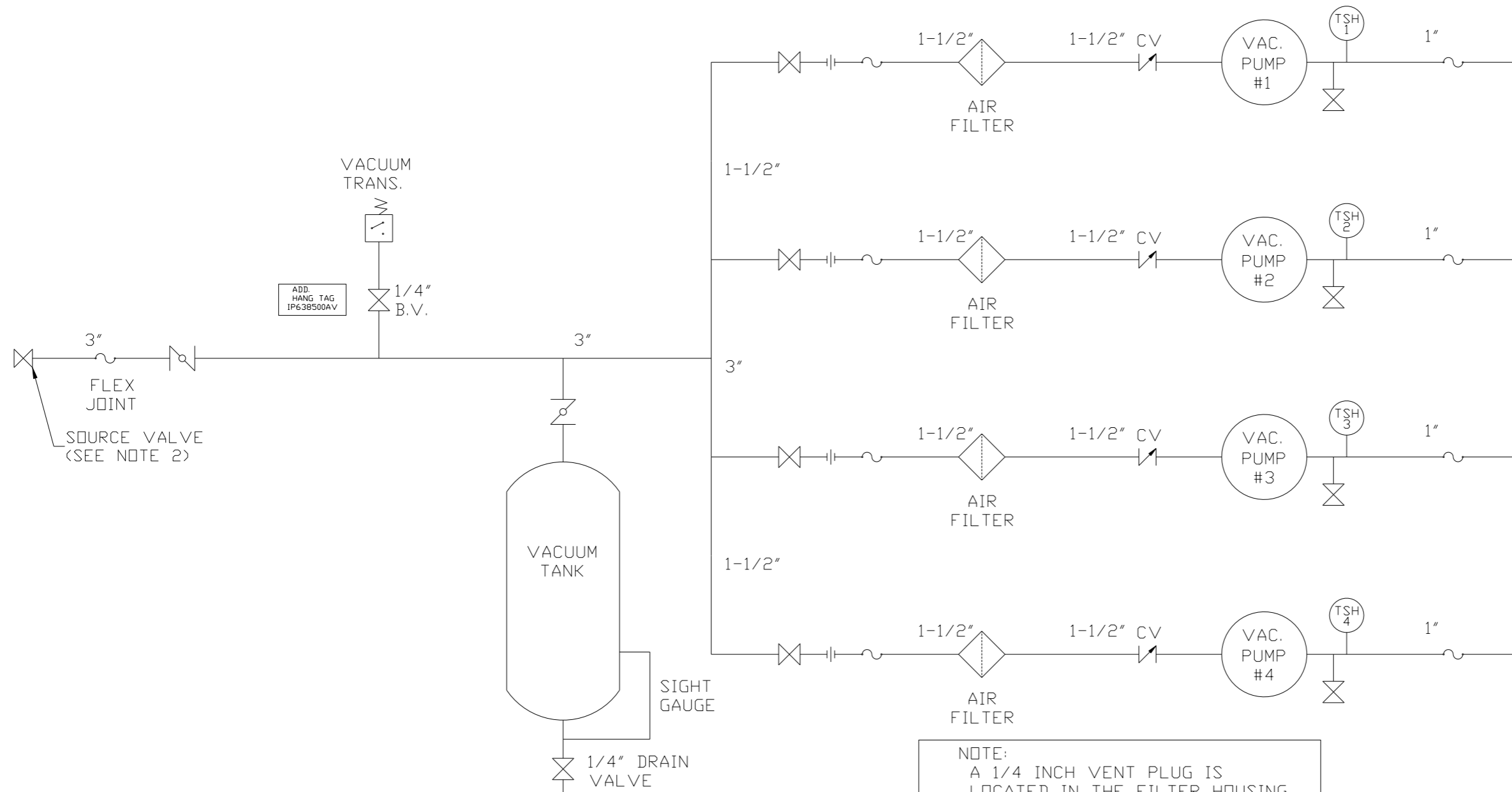
PUMP SKID #2-PANEL/TANK SKID:

TOTAL WEIGHT: 1836 LBS
C.D.G. DIMENSIONS
X (FRONT): -30.53"
Y (RIGHT): 26.59"
Z (HEIGHT): 26.94"

SYMBOL LEGEND ⊖ = MINUS DRAFT ⊕ = PLUS DRAFT ⊕ = ADDITIONAL CONTROL REQ'D HRC = BRINELL HARDNESS		Drawings to conform to the current revision of the following ANSI standards: Y14.3 Multi and sectional view dgs. Y14.5M Dimensioning and tolerancing	
TOLERANCES NOT SPECIFIED .XX ± .XXX ± <<DEG> ±		AUTOCAD REL2014 LT INCH DO NOT SCALE DRAWING FOR DIMENSIONS Sheet 3 of 4 SCALE 1: 14	
CONFIDENTIAL DISCLOSURE This drawing is the property of POWEREX, INC. of the SCOTT FETZER COMPANY and subject to return on demand. Its contents are confidential and must not be copied or submitted to outside parties for use or examination.			
DRAWN BY AEK		CHECKED BY GES	
APPROVED BY DMS		TH	
MATERIAL N/A		DATE 12/23/13 12/23/13 12/23/13 12/23/13	
PART NAME 5HP CLAW VACUUM 200GAL. QUADPLEX		 150 PRODUCTION DRIVE, HARRISON, OHIO 45030 Ph 888-769-7979 FAX (513) 367-3125	
DWG NO CVPQ0505B		SIZE D	

8 7 6 5 4 3 2 1

REV	ZONE	REVISION	DATE	ECN	NAME	CHKD
F-1	ALL	ADDED PBM/HMI SHEETS	12/23/13	PXEC0030	AEK	GES
G-1	ALL	UPDATED TO PUMP WITH NEMA RATED MOTOR	8/26/16	PXEC0149	AEK	GES



NOTE:
A 1/4 INCH VENT PLUG IS
LOCATED IN THE FILTER HOUSING.

LEGEND	
	TEMP. SWITCH
	AIR FILTER
	BALL VALVE
	BUTTERFLY VALVE
	VACUUM SWITCH
	CHECK VALVE
	FLEX LINE
	UNION

NOTES:
1) TSH - TEMPERATURE SWITCH HIGH
2) PER NFPA THE SYSTEM WILL REQUIRE A SOURCE VALVE (SUPPLIED BY OTHERS).

SYMBOL LEGEND		= ADDITIONAL CONTROL REQ'D = BRINELL HARDNESS		Drawings to conform to the current revision of the following ANSI standards: Y14.3 Multi and sectional view dngs. Y14.5M Dimensioning and tolerancing
TOLERANCES NOT SPECIFIED .XX ± .XXX ± \angle (DEG) ±		AUTOCAD REL2014 LT	DO NOT SCALE DRAWING FOR DIMENSIONS	
CONFIDENTIAL DISCLOSURE This drawing is the property of POWEREX, INC. of the SCOTT FETZER COMPANY and subject to return on demand. Its contents are confidential and must not be copied or submitted to outside parties for use or examination.		SCALE 1:14	Sheet 4 of 4	
MATERIAL N/A		DRAWN BY AEK	CHECKED BY GES	APPROVED BY DMS TH
PART NAME VAC PACKAGE QUADPLEX FLOW SCHEMATIC		 150 PRODUCTION DRIVE, HARRISON, OHIO 45030 Ph: 888-769-7979 FAX: (513) 367-3125		SIZE D