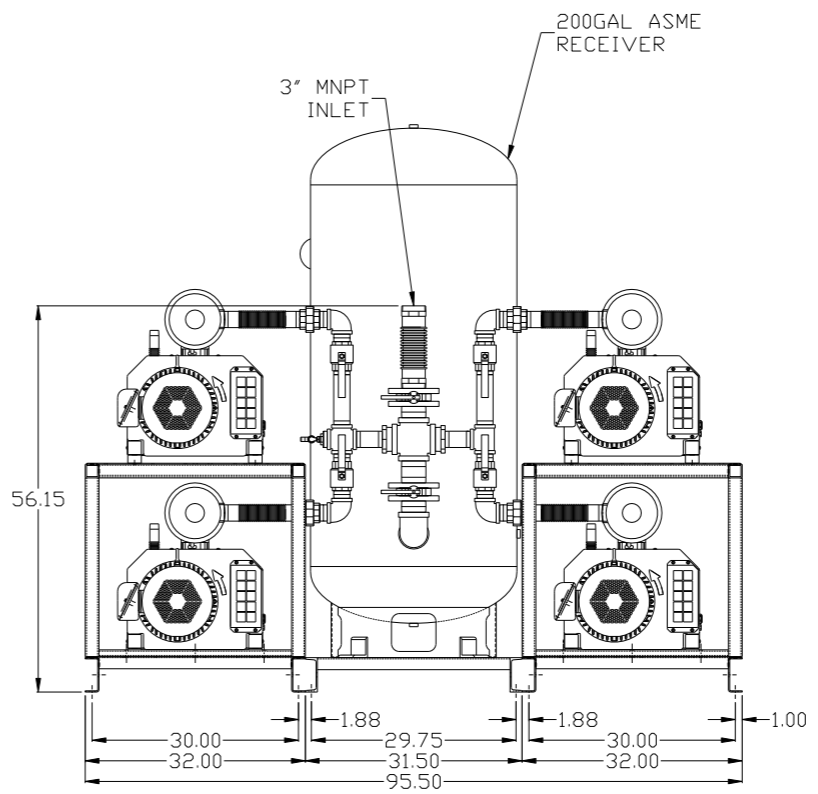
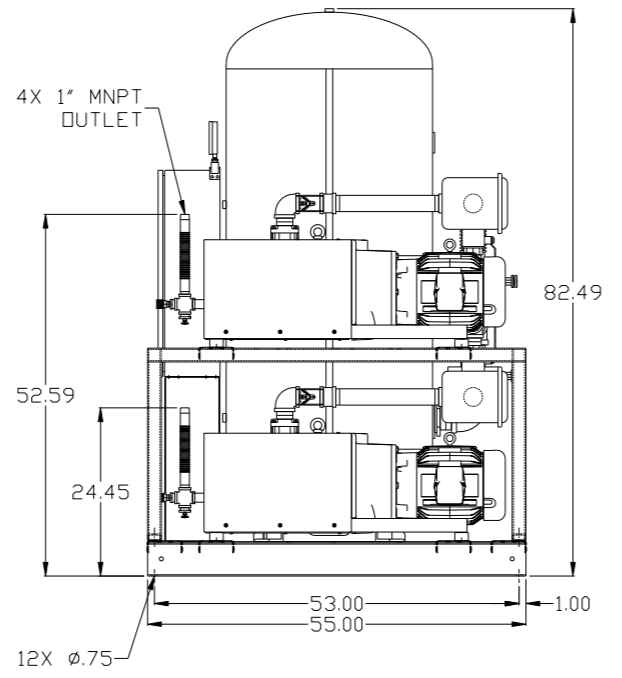
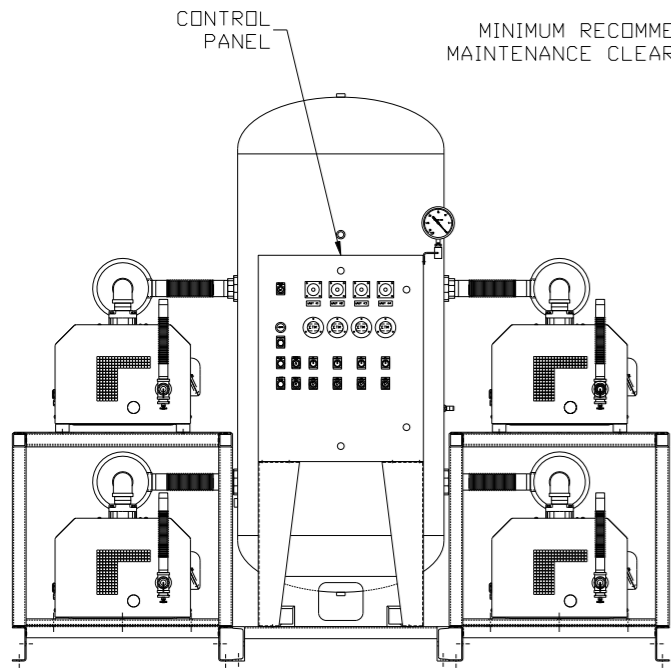
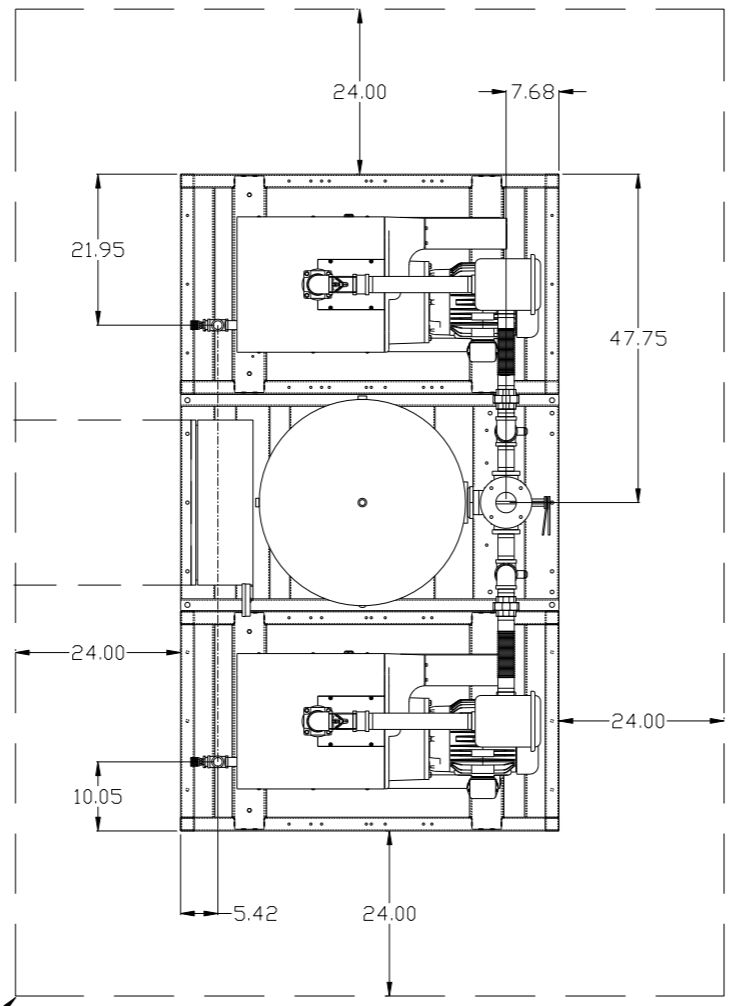


8 7 6 5 4 3 2 1

REV	ZONE	REVISION	DATE	ECN	NAME	CHKD
B-1	ALL	RELEASE TO PRODUCTION	2/28/08	21881	AEK	GES
B-2	ALL	ADDED PIPE SIZES TO FLOW SCHEMATIC CORRECTED LAYOUT PLUMBING	3/28/08	21881	AEK	GES
B-3	2 B6 1 ALL	REMOVED SIGHT GAUGE FROM FLOW REPLACED TOP FRAMES WITH SHORT TOP FRAMES ON LAYOUT	4/16/08	21881	AEK	GES
C-1	1 ALL	REMOVED VACUUM SWITCHES FROM CONTROL PANEL	11/18/09	22127	AEK	GES
D-1	2 B6 2 ALL 1 ALL	ADDED SIGHT GAUGE ADDED SOURCE VALVE INFORMATION ADDED P&ID/HMI SHEETS	9/26/13	PXEC0030	AEK	KMD
E-1	1 ALL	UPDATED TO PUMP WITH NEMA RATED MOTOR	12/27/16	PXEC0149	AEK	DMS

MINIMUM RECOMMENDED ELECTRICAL PANEL CLEARANCE PER OSHA/NEC REQUIREMENTS

MINIMUM RECOMMENDED MAINTENANCE CLEARANCE

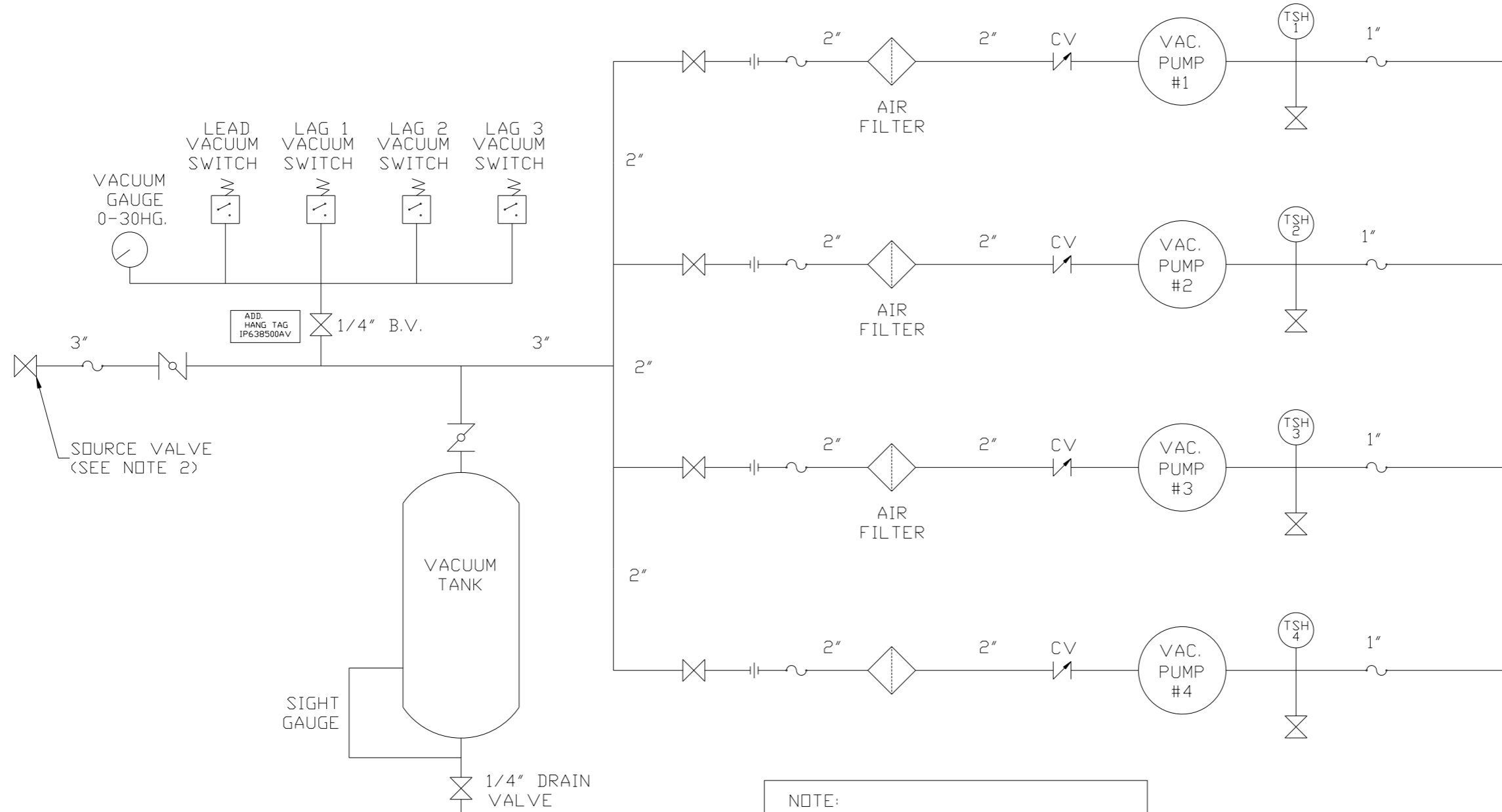


NOTE: SYSTEM DESIGNED IN COMPLIANCE WITH U.S. NFPA '99, LATEST EDITION.

SYMBOL LEGEND ⊖ = MINUS DRAFT ⊕ = PLUS DRAFT $XX \pm$ $.XXX \pm$ $Z(\text{DEG}) \pm$		= ADDITIONAL CONTROL REQ'D = BRINELL HARDNESS		Drawings to conform to the current revision of the following ANSI standards: Y14.3 Multi and sectional view dgs. Y14.5M Dimensioning and tolerancing	
TOLERANCES NOT SPECIFIED .XX ± .XXX ± Z(DEG) ±		AUTOCAD REL2008 LT INCH		DO NOT SCALE DRAWING FOR DIMENSIONS Sheet 1 of 2 SCALE 1:14	
CONFIDENTIAL DISCLOSURE This drawing is the property of POWEREX, INC. of the SCOTT FEITZER COMPANY and subject to return on demand. Its contents are confidential and must not be copied or submitted to outside parties for use or examination.					
DRAWN BY AEK		CHECKED BY GES		APPROVED BY ENGINEERING MFG/MKTG DMS RJR	
MATERIAL N/A		DATE 2/28/08		DATE 2/28/08	
PART NAME 7.5HP CLAW VACUUM 200GAL. QUADPLEX		DWG NO CVPQ0755B		SIZE D	

8 7 6 5 4 3 2 1

REV	ZONE	REVISION	DATE	ECN	NAME	CHKD
B-1	ALL	RELEASE TO PRODUCTION	2/28/08	21881	AEK	GES
B-2	ALL	ADDED PIPE SIZES TO FLOW SCHEMATIC CORRECTED LAYOUT PLUMBING	3/28/08	21881	AEK	GES
B-3	2 B6 1 ALL	REMOVED SIGHT GAUGE FROM FLOW REPLACED TOP FRAMES WITH SHORT TOP FRAMES ON LAYOUT	4/16/08	21881	AEK	GES
C-1	1 ALL	REMOVED VACUUM SWITCHES FROM CONTROL PANEL	11/18/09	22127	AEK	GES
D-1	2 B6 2 ALL	ADDED SIGHT GAUGE ADDED SOURCE VALVE INFORMATION ADDED P&ME/HMI SHEETS	9/26/13	PXEC0030	AEK	KMD
E-1	1 ALL	UPDATED TO PUMP WITH NEMA RATED MOTOR	12/27/16	PXEC0149	AEK	DMS



NOTE:
A 1/4 INCH VENT PLUG IS LOCATED IN THE FILTER HOUSING.

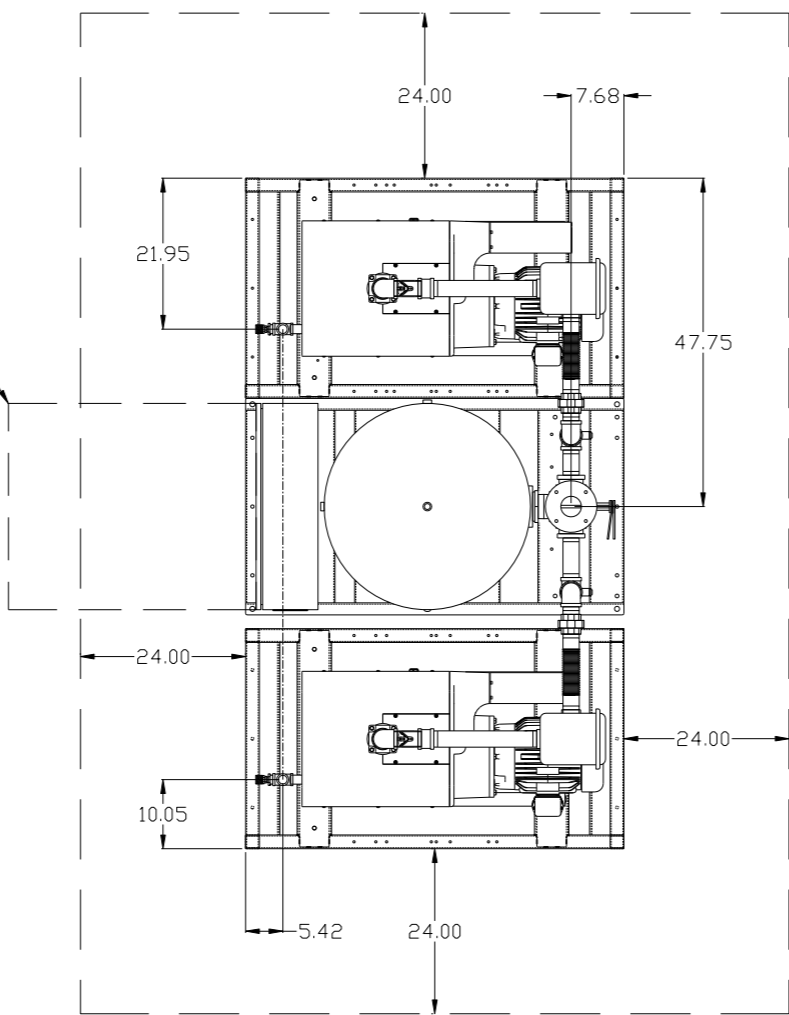
LEGEND	
	TEMP. SWITCH
	VACUUM SWITCH
	AIR FILTER
	BALL VALVE
	BUTTERFLY VALVE
	CHECK VALVE
	FLEX LINE
	UNION

NOTES:
1) TSH - TEMPERATURE SWITCH HIGH
2) PER NFPA THE SYSTEM WILL REQUIRE A SOURCE VALVE (SUPPLIED BY OTHERS).

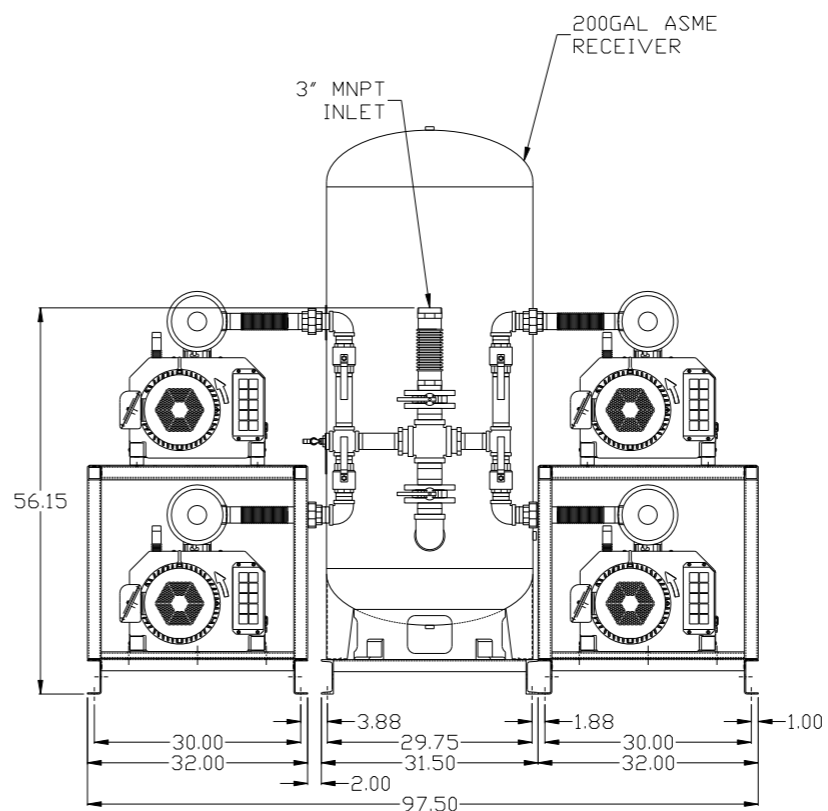
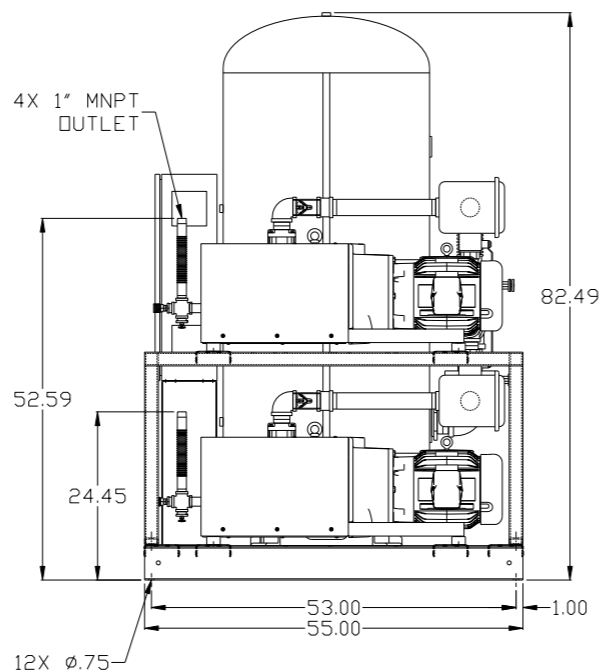
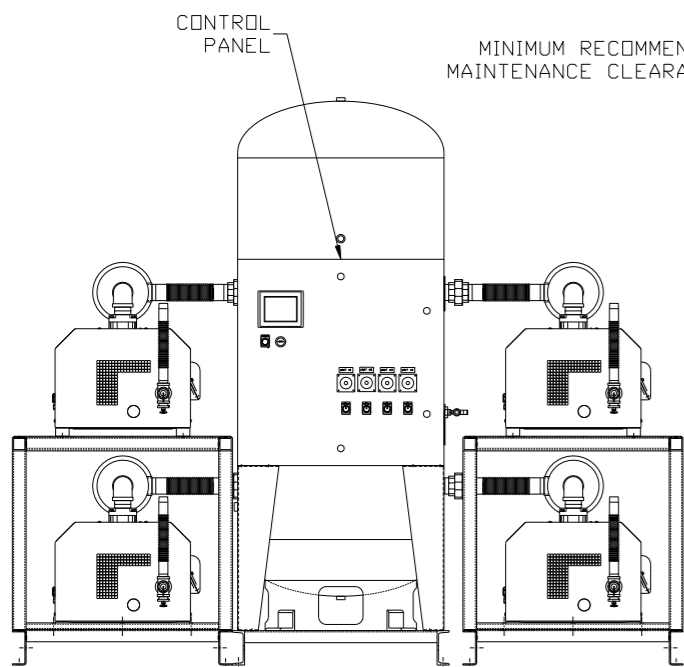
SYMBOL LEGEND ⊖ = MINUS DRAFT ⊕ = PLUS DRAFT Ⓢ = ADDITIONAL CONTROL REQ'D Ⓢ = BRINELL HARDNESS		Drawings to conform to the current revision of the following ANSI standards: Y14.3 Multi and sectional view dgs. Y14.5M Dimensioning and tolerancing
TOLERANCES NOT SPECIFIED .XX ± .XXX ± \angle (DEG.) ±	AUTOCAD REL2008 LT INCH	DO NOT SCALE DRAWING FOR DIMENSIONS Sheet 2 of 2 SCALE 1:14
CONFIDENTIAL DISCLOSURE This drawing is the property of POWEREX, INC. OF THE SCOTT FETZER COMPANY and subject to return on demand. Its contents are confidential and must not be copied or submitted to outside parties for use or examination.		
DRAWN BY AEK	CHECKED BY GES	APPROVED BY ENGINEERING MFG/MKTG DMS RJR
MATERIAL N/A	DATE 2/28/08	DATE 2/28/08
PART NAME QUADPLEX VAC PKG FLOW SCHEMATIC	DWG NO CVPQ0755B	SIZE D

REV	ZONE	REVISION	DATE	ECN	NAME	CHKD
2	B6	ADDED SIGHT GAUGE				
D-1	ALL	ADDED SOURCE VALVE INFORMATION ADDED PBM/HMI SHEETS	9/26/13	PXEC0030	AEK	KMB
E-1	ALL	UPDATED TO PUMP WITH NEMA RATED MOTOR	12/27/16	PXEC0149	AEK	DMS

MINIMUM RECOMMENDED ELECTRICAL PANEL CLEARANCE PER OSHA/NEC REQUIREMENTS



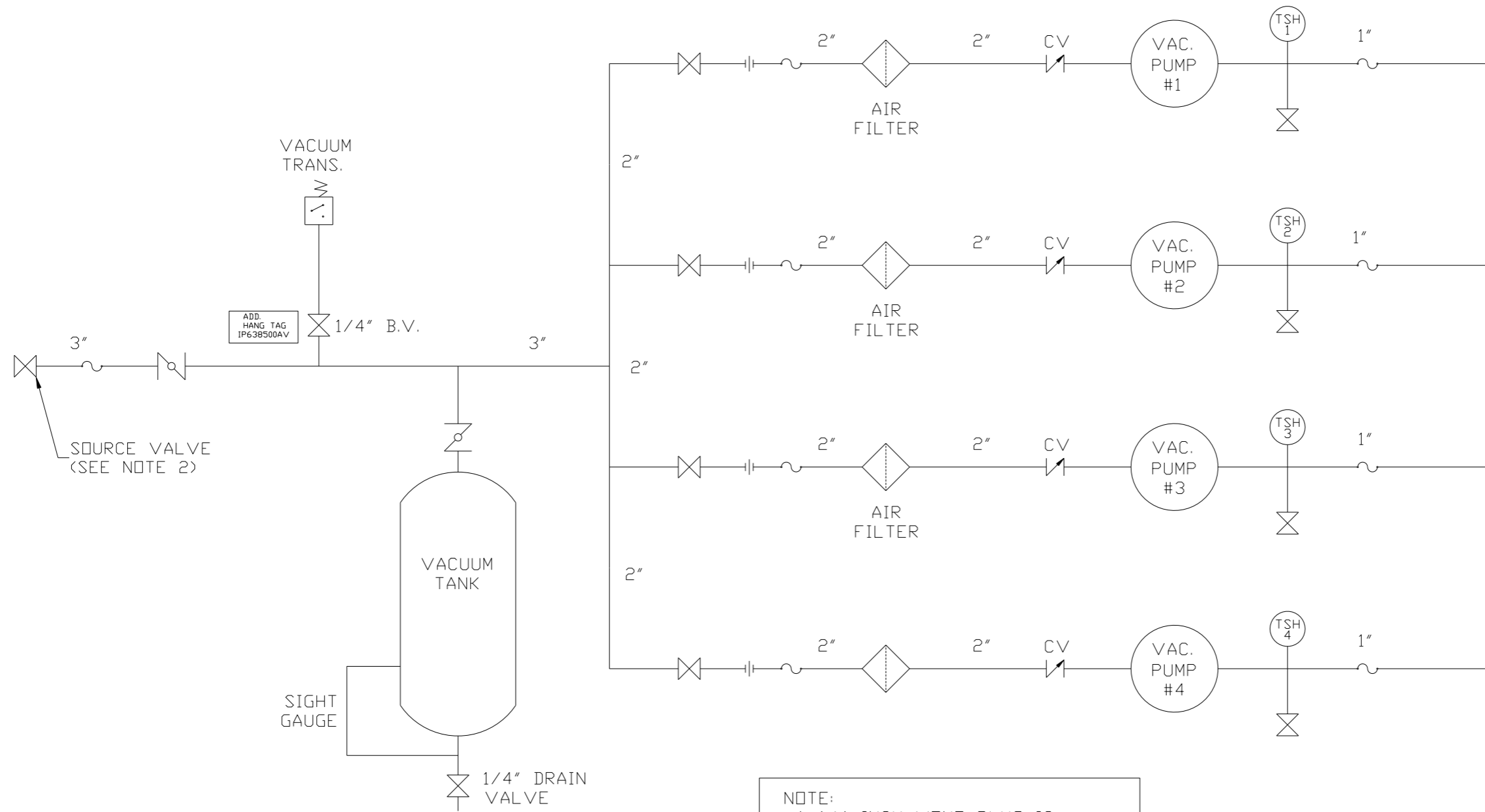
MINIMUM RECOMMENDED MAINTENANCE CLEARANCE



NOTE: SYSTEM DESIGNED IN COMPLIANCE WITH U.S. NFPA '99, LATEST EDITION.

SYMBOL LEGEND		= ADDITIONAL CONTROL REQ'D		Drawings to conform to the current revision of the following ANSI standards:	
⊖	MINUS DRAFT	⊕	PLUS DRAFT	Y14.3	Multi and sectional view dgs.
⊖	MINUS DRAFT	⊕	PLUS DRAFT	Y14.5M	Dimensioning and tolerancing
TOLERANCES NOT SPECIFIED		AUTOCAD REL2008 LT		DO NOT SCALE DRAWING FOR DIMENSIONS	
.XX	±	INCH		Sheet 1 of 2	
.XXX	±			SCALE 1:14	
<X DEG	±				
CONFIDENTIAL DISCLOSURE					
This drawing is the property of POWEREX, INC. of the SCOTT FEITZER COMPANY and subject to return on demand. Its contents are confidential and must not be copied or submitted to outside parties for use or examination.					
DRAWN BY		CHECKED BY		APPROVED BY	
AEK		KMD		DMS RJR	
9/26/13		9/26/13		9/26/13 9/26/13	
MATERIAL N/A					
PART NAME					
7.5HP CLAW VACUUM					
200GAL. QUADPLEX					
DWG NO				SIZE	
CVPQ0755B				D	

REV	ZONE	REVISION	DATE	ECN	NAME	CHKD
2	B6	ADDED SIGHT GAUGE				
D-1	ALL	ADDED SOURCE VALVE INFORMATION ADDED PBM/HMI SHEETS	9/26/13	PXEC0030	AEK	KMB
E-1	ALL	UPDATED TO PUMP WITH NEMA RATED MOTOR	12/27/16	PXEC0149	AEK	DMS



NOTE:
A 1/4 INCH VENT PLUG IS
LOCATED IN THE FILTER HOUSING.

LEGEND	
	TEMP. SWITCH
	VACUUM SWITCH
	AIR FILTER
	BALL VALVE
	BUTTERFLY VALVE
	CHECK VALVE
	FLEX LINE
	UNION

NOTES:
1) TSH - TEMPERATURE SWITCH HIGH
2) PER NFPA THE SYSTEM WILL REQUIRE A SOURCE VALVE (SUPPLIED BY OTHERS).

SYMBOL LEGEND		AUTOCAD REL2008 LT		DO NOT SCALE DRAWING FOR DIMENSIONS	
	MINUS DRAFT	INCH		Sheet 2 of 2	
	PLUS DRAFT	SCALE 1:14			
<small>CONFIDENTIAL DISCLOSURE This drawing is the property of POWEREX, INC. or the SCOTT FETZER COMPANY and subject to return on demand. Its contents are confidential and must not be copied or submitted to outside parties for use or examination.</small>		DRAWN BY	CHECKED BY	APPROVED BY	DATE
		AEK	KMD	DMS	RJR
		9/26/13	9/26/13	9/26/13	9/26/13
MATERIAL		N/A			
PART NAME		QUADPLEX VAC PKG			
		FLOW SCHEMATIC			
DWG NO		CVPQ0755B			
SIZE		D			