

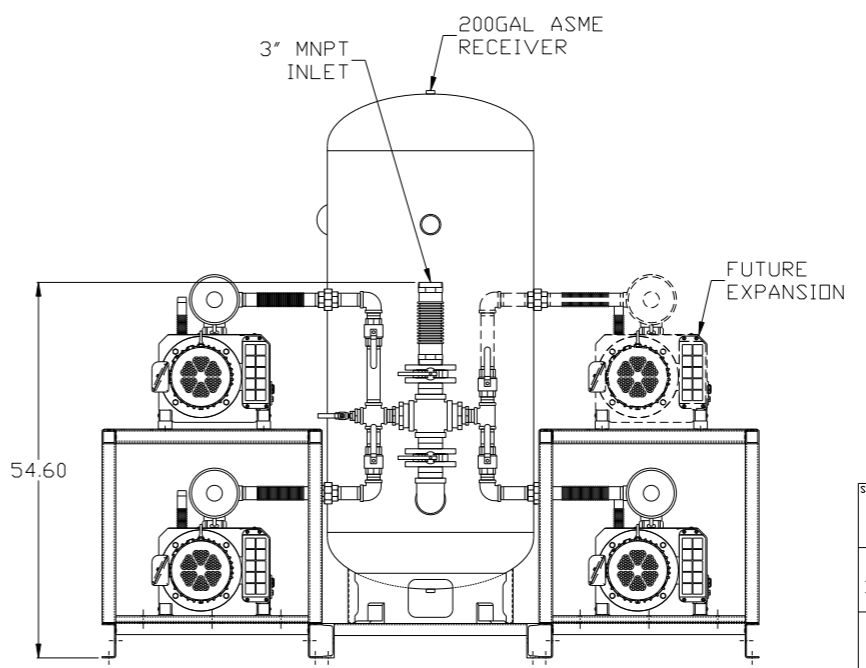
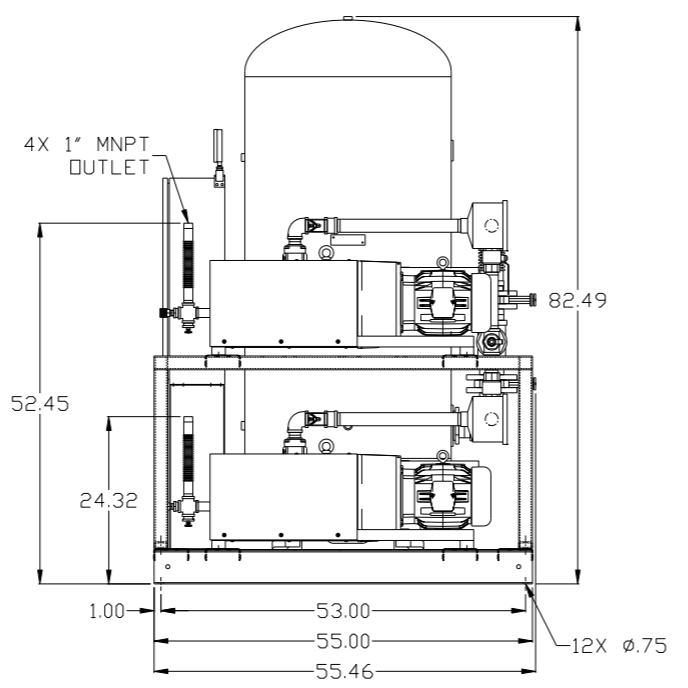
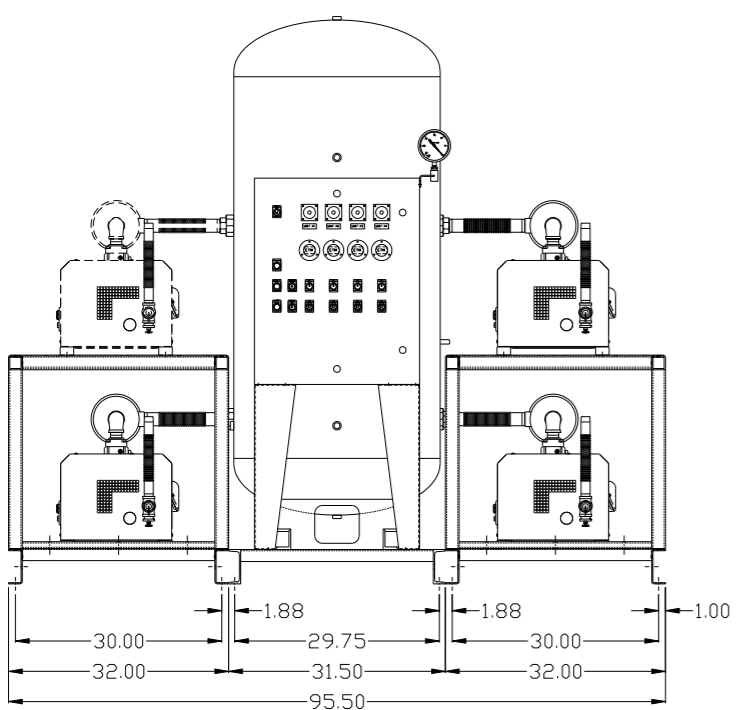
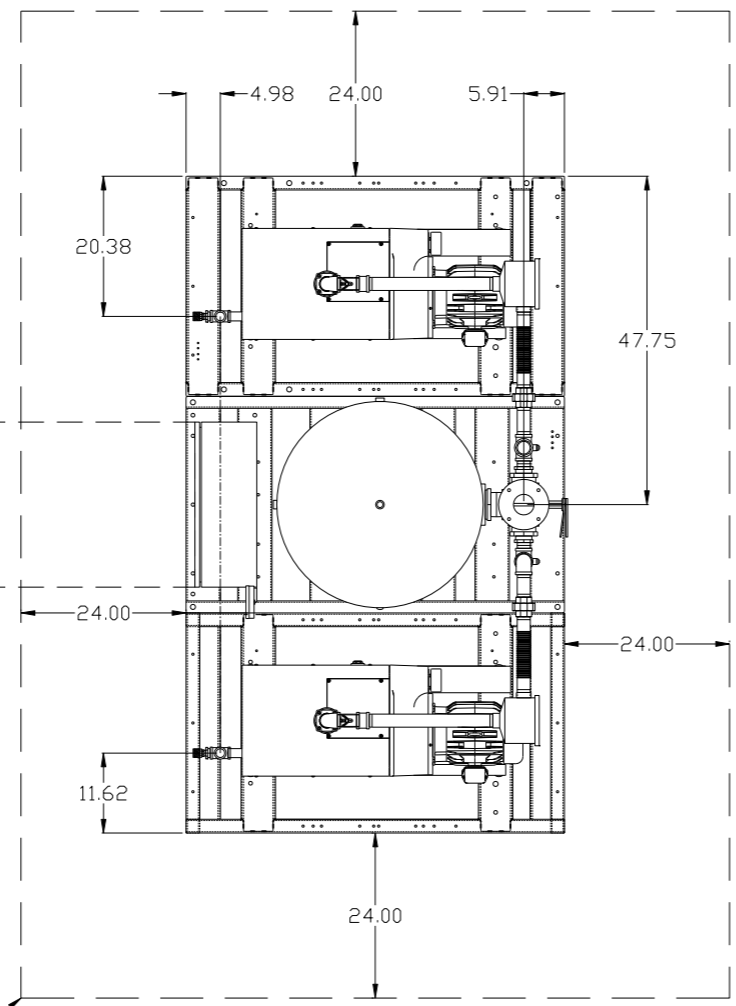
8 7 6 5 4 3 2 1

REV	ZONE	REVISION	DATE	ECN	NAME	CHKD
B-1	ALL	RELEASE TO PRODUCTION	2/14/17	PXCO186	AEK	GES

MINIMUM RECOMMENDED ELECTRICAL PANEL CLEARANCE PER OSHA/NEC REQUIREMENTS

MINIMUM RECOMMENDED MAINTENANCE CLEARANCE

EXPANSION PUMP AND TOP FRAME NOT SHOWN IN TOP VIEW FOR CLARITY



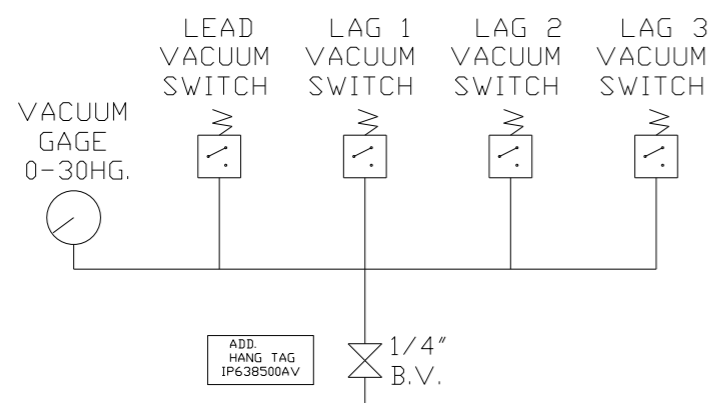
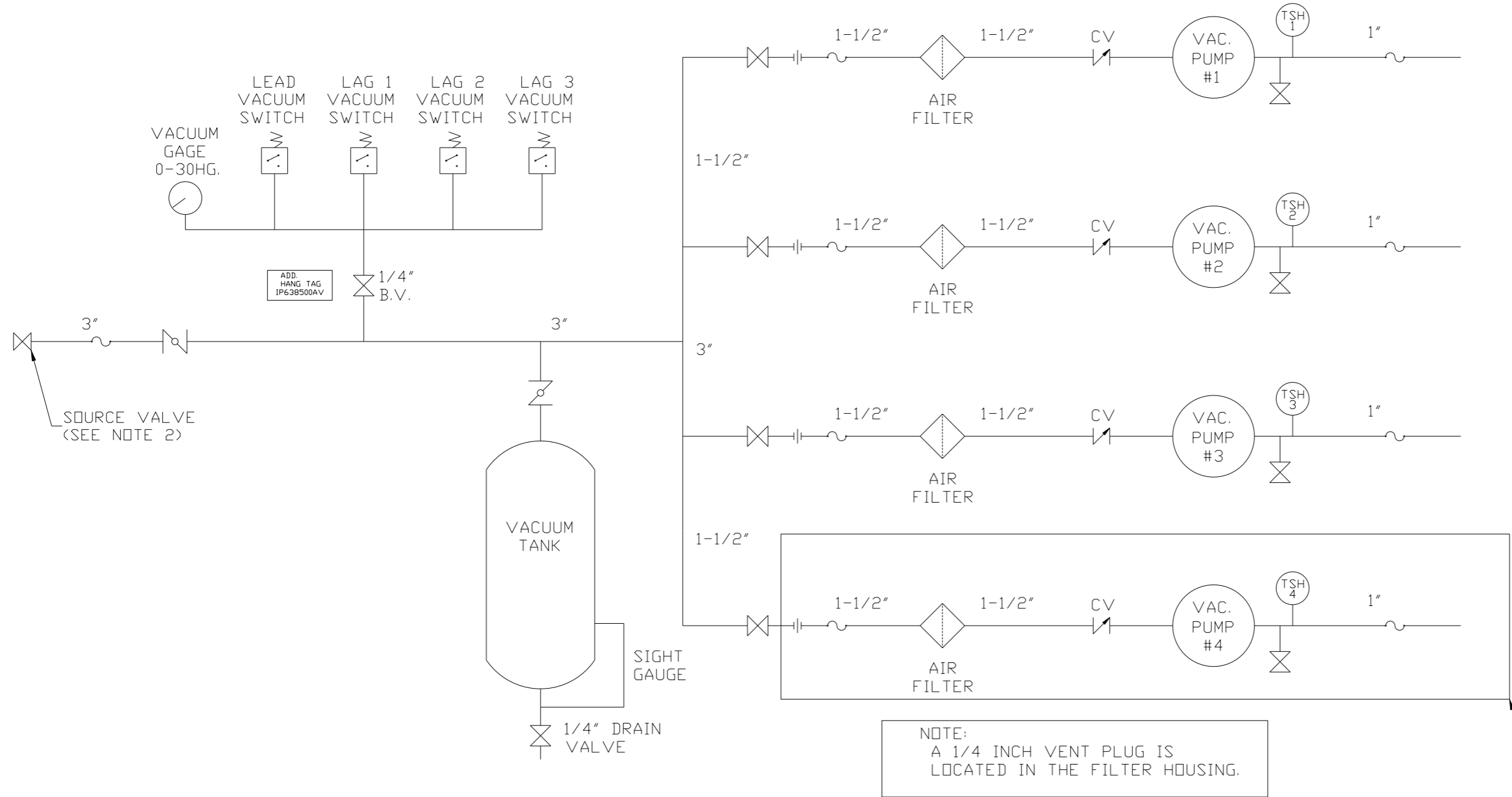
NOTE: SYSTEM DESIGNED IN COMPLIANCE WITH U.S. NFPA '99, LATEST EDITION.

<b>SYMBOL LEGEND</b> ⊖ = MINUS DRAFT    ⊕ = PLUS DRAFT Ⓢ = ADDITIONAL CONTROL REQ'D Ⓡ = BRINELL HARDNESS		Drawings to conform to the current revision of the following ANSI standards: Y14.3 Multi and sectional view dsgs. Y14.5M Dimensioning and tolerancing	
TOLERANCES NOT SPECIFIED .XX ± .XXX ± <math>\angle</math>(DEG) ±		DO NOT SCALE DRAWING FOR DIMENSIONS Sheet 1 of 2    SCALE 1:14	
CONFIDENTIAL DISCLOSURE This drawing is the property of POWEREX, INC. of the SCOTT FELTZER COMPANY and subject to return on demand. Its contents are confidential and must not be copied or submitted to outside parties for use or examination.		AUTOCAD REL2014 LT INCH	
DRAWN BY: AEK CHECKED BY: GES APPROVED BY: KMD, RJR 2/14/17    2/14/17    2/14/17    2/14/17		MATERIAL: N/A PART NAME: SHP CLAW VACUUM TRIPLEX 200GAL EXPANDABLE	
DWG NO: CVPT0505B-EX4		SIZE: D	

8 7 6 5 4 3 2 1

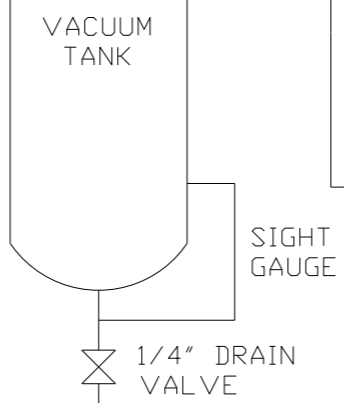
REV	ZONE	REVISION	DATE	ECN	NAME	CHKD
B-1	ALL	RELEASE TO PRODUCTION	2/14/17	PKC0186	AEK	GES

8 7 6 5 4 3 2 1



ADD. HANG TAG IP638500AV

SOURCE VALVE (SEE NOTE 2)



NOTE:  
A 1/4 INCH VENT PLUG IS LOCATED IN THE FILTER HOUSING.

FUTURE EXPANSION

LEGEND	
TSH 2	TEMP. SWITCH
	VACUUM SWITCH
	AIR FILTER
	BALL VALVE
	BUTTERFLY VALVE
	CHECK VALVE
	FLEX LINE
	UNION

NOTES:  
1) TSH - TEMPERATURE SWITCH HIGH  
2) PER NFPA THE SYSTEM WILL REQUIRE A SOURCE VALVE (SUPPLIED BY OTHERS).

SYMBOL LEGEND		= ADDITIONAL CONTROL REQ'D	Drawings to conform to the current revision of the following ANSI standards	
	= MINUS DRAFT		= BRINELL HARDNESS	
TOLERANCES NOT SPECIFIED		AUTOCAD REL2014 LT	DO NOT SCALE DRAWING FOR DIMENSIONS	
.XX ±		INCH	Sheet 2 of 2	SCALE 1:14
CONFIDENTIAL DISCLOSURE		This drawing is the property of POWEREX, INC. of the SCOTT FETZER COMPANY and subject to return on demand. Its contents are confidential and must not be copied or submitted to outside parties for use or examination.		
DRAWN BY	CHECKED BY	APPROVED BY	ENGINEERING MFG/MRKTG	
AEK	GES	KMD	RJR	
2/14/17	2/14/17	2/14/17	2/14/17	
MATERIAL N/A				
PART NAME VAC PKG TRIPLEX EXPANDABLE		150 PRODUCTION DRIVE, HARRISON, OHIO 45030 Ph 888-769-7979 FAX (513) 367-3125		
FLOW SCHEMATIC		DWG NO CVPT0505B-EX4	SIZE D	

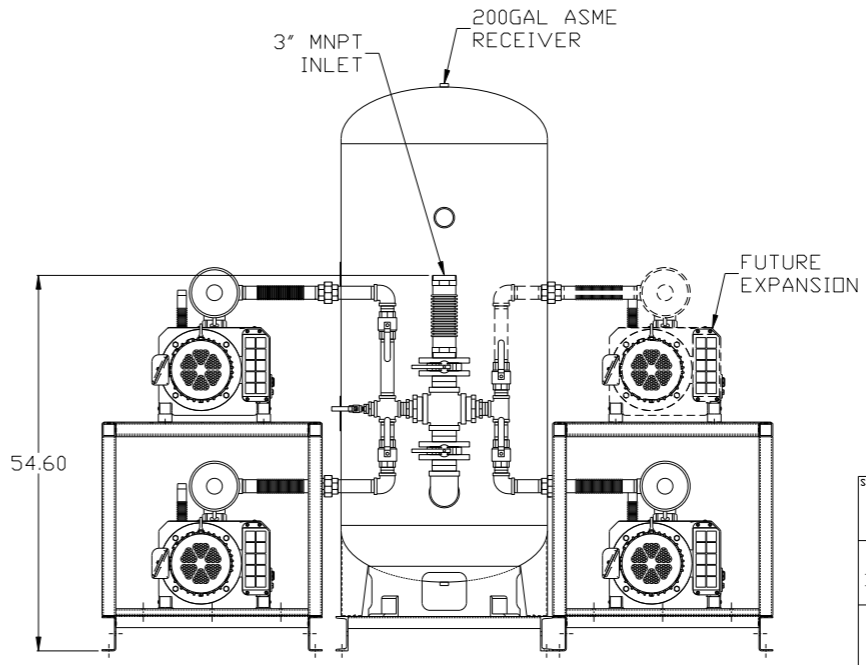
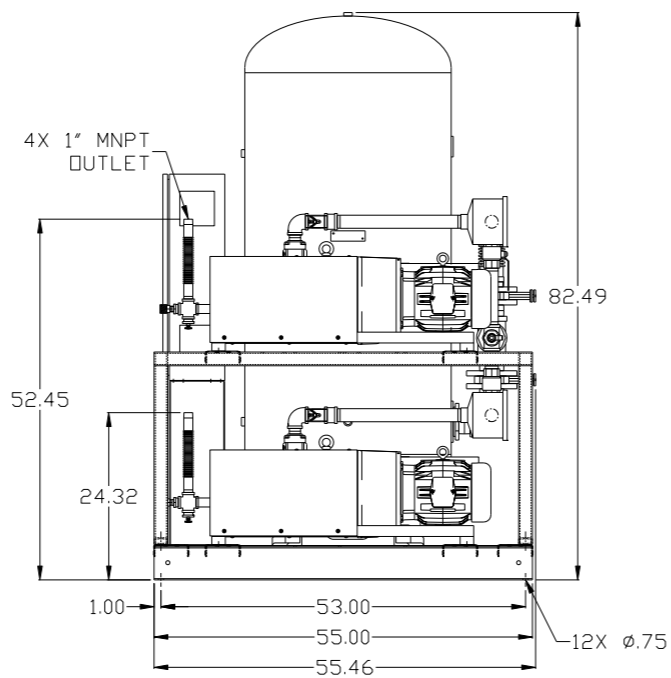
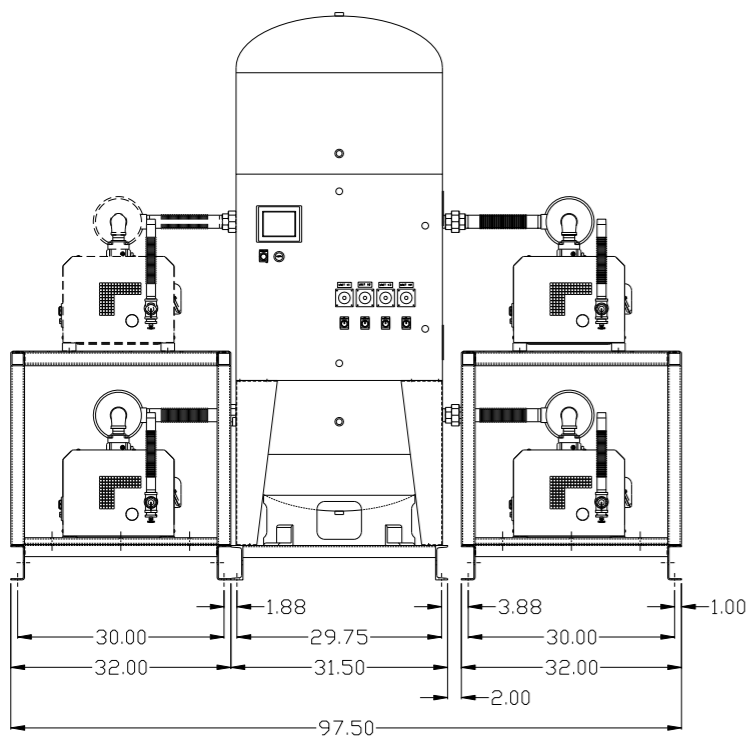
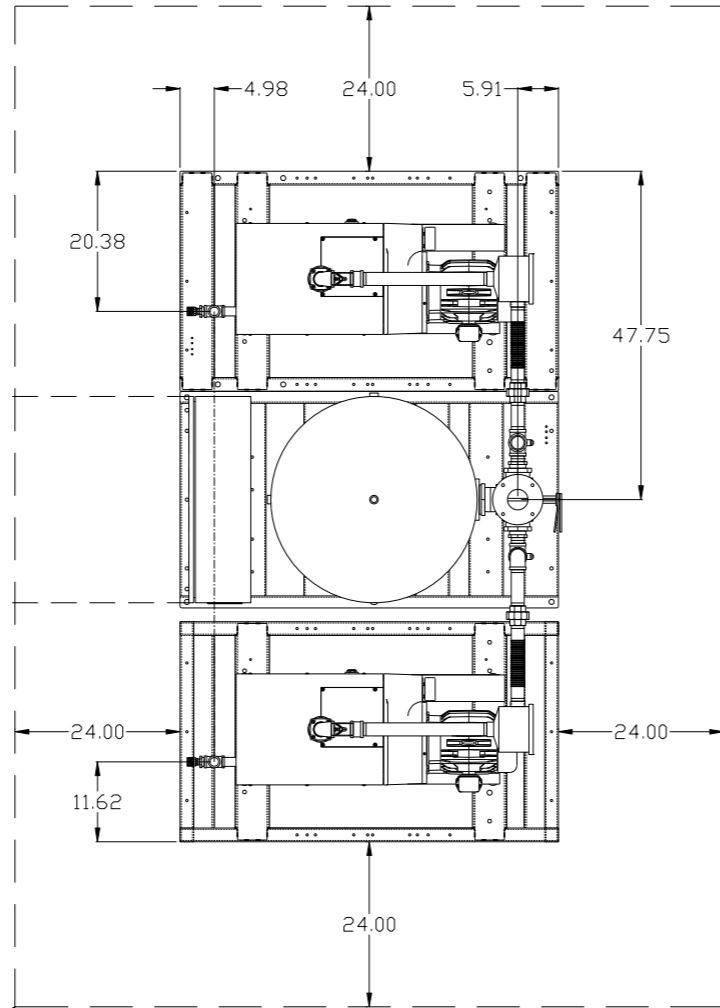
8 7 6 5 4 3 2 1

REV	ZONE	REVISION	DATE	ECN	NAME	CHKD
B-1	ALL	RELEASE TO PRODUCTION	2/14/17	PKC0186	AEK	GES

MINIMUM RECOMMENDED ELECTRICAL PANEL CLEARANCE PER OSHA/NEC REQUIREMENTS

MINIMUM RECOMMENDED MAINTENANCE CLEARANCE

EXPANSION PUMP AND TOP FRAME NOT SHOWN IN TOP VIEW FOR CLARITY

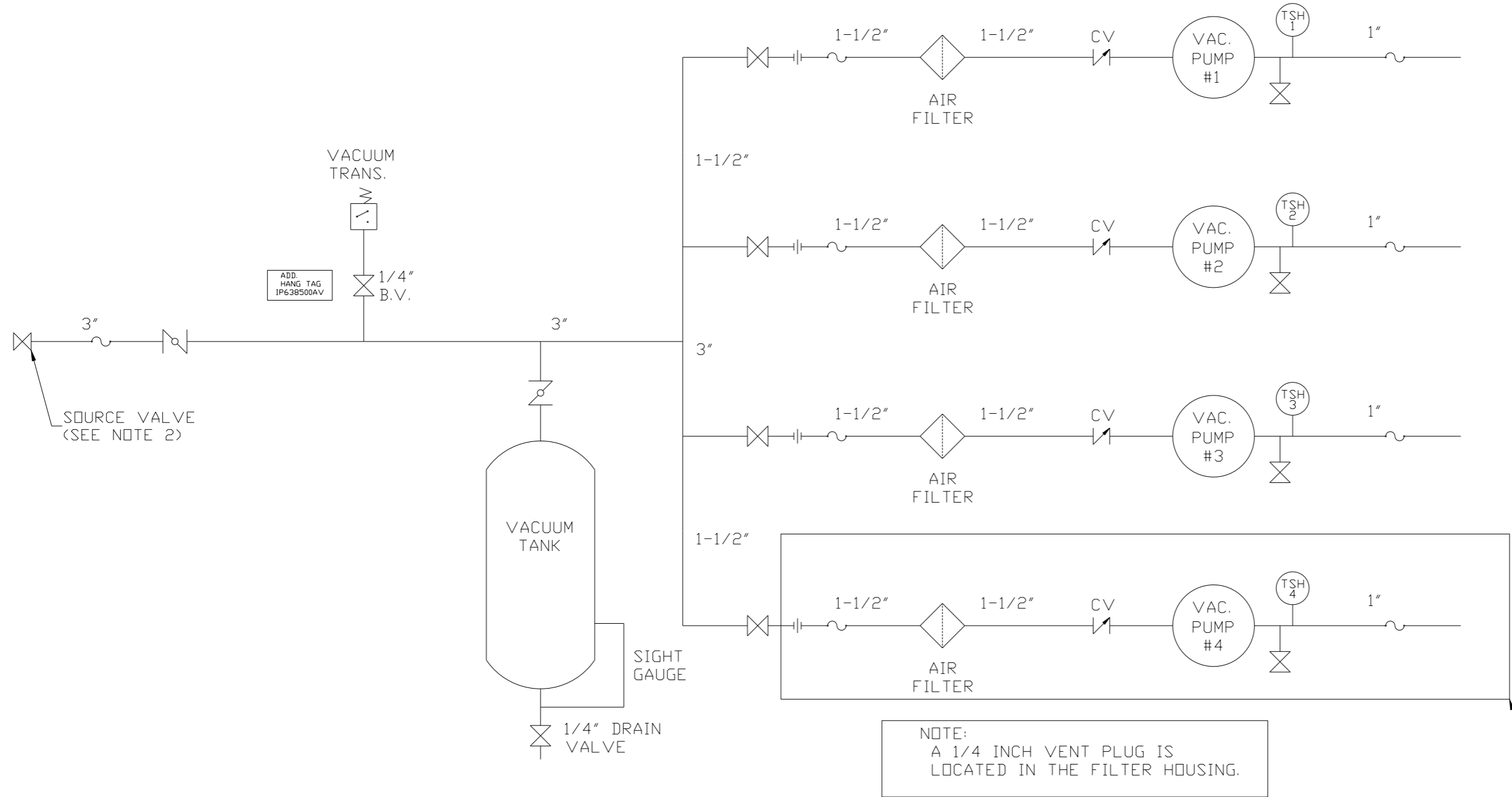


NOTE: SYSTEM DESIGNED IN COMPLIANCE WITH U.S. NFPA '99, LATEST EDITION.

<b>SYMBOL LEGEND</b> ⊖ = MINUS DRAFT    ⊕ = PLUS DRAFT ⊕ = ADDITIONAL CONTROL REQ'D ⊕ = BRINELL HARDNESS		Drawings to conform to the current revision of the following ANSI standards: Y14.3 Multi and sectional view dgs. Y14.5M Dimensioning and tolerancing	
TOLERANCES NOT SPECIFIED .XX ± .XXX ± <math>\angle</math> (DEG) ±		AUTOCAD REL2014 LT INCH DO NOT SCALE DRAWING FOR DIMENSIONS Sheet 1 of 2 SCALE 1:14	
<b>CONFIDENTIAL DISCLOSURE</b> This drawing is the property of POWEREX, INC. of the SCOTT FELTZER COMPANY and subject to return on demand. Its contents are confidential and must not be copied or submitted to outside parties for use or examination.			
DRAWN BY: AEK CHECKED BY: GES 2/14/17		APPROVED BY: ENGINEERING MFG/MKTG KMD RJR 2/14/17 2/14/17 2/14/17 2/14/17	
MATERIAL: N/A PART NAME: SHP CLAW VACUUM TRIPLEX 200GAL EXPANDABLE		DWG NO: CVPT0505B-EX4 SIZE: D 150 PRODUCTION DRIVE, HARRISON, OHIO 45030 Ph: 888-769-7979 FAX: (513) 367-3125	

REV	ZONE	REVISION	DATE	ECN	NAME	CHKD
B-1	ALL	RELEASE TO PRODUCTION	2/14/17	PKC0186	AEK	GES

8 7 6 5 4 3 2 1



ADD. HANG TAG IP638500AV

NOTE:  
A 1/4 INCH VENT PLUG IS LOCATED IN THE FILTER HOUSING.

FUTURE EXPANSION

LEGEND	
	TEMP. SWITCH
	VACUUM SWITCH
	AIR FILTER
	BALL VALVE
	BUTTERFLY VALVE
	CHECK VALVE
	FLEX LINE
	UNION

NOTES:  
1) TSH - TEMPERATURE SWITCH HIGH  
2) PER NFPA THE SYSTEM WILL REQUIRE A SOURCE VALVE (SUPPLIED BY OTHERS).

SYMBOL LEGEND		= ADDITIONAL CONTROL REQ'D		Drawings to conform to the current revision of the following ANSI standards	
= MINUS DRAFT		= BRINELL HARDNESS		Y14.3 Multi and sectional view dgs. Y14.5M Dimensioning and tolerancing	
= PLUS DRAFT					
TOLERANCES NOT SPECIFIED		AUTOCAD REL2014 LT		DO NOT SCALE DRAWING FOR DIMENSIONS	
.XX ±		INCH		Sheet 2 of 2	
.XXX ±				SCALE 1:14	
< < DEG > ±					
CONFIDENTIAL DISCLOSURE This drawing is the property of POWEREX, INC. or the SCOTT FETZER COMPANY and subject to return on demand. Its contents are confidential and must not be copied or submitted to outside parties for use or examination.					
DRAWN BY		CHECKED BY		APPROVED BY	
AEK		GES		KMD RJR	
2/14/17		2/14/17		2/14/17 2/14/17	
MATERIAL N/A					
PART NAME VAC PKG TRIPLEX EXPANDABLE					
FLOW SCHEMATIC					
DWG NO CVPT0505B-EX4				SIZE D	

8 7 6 5 4 3 2 1