

8

7

6

5

4

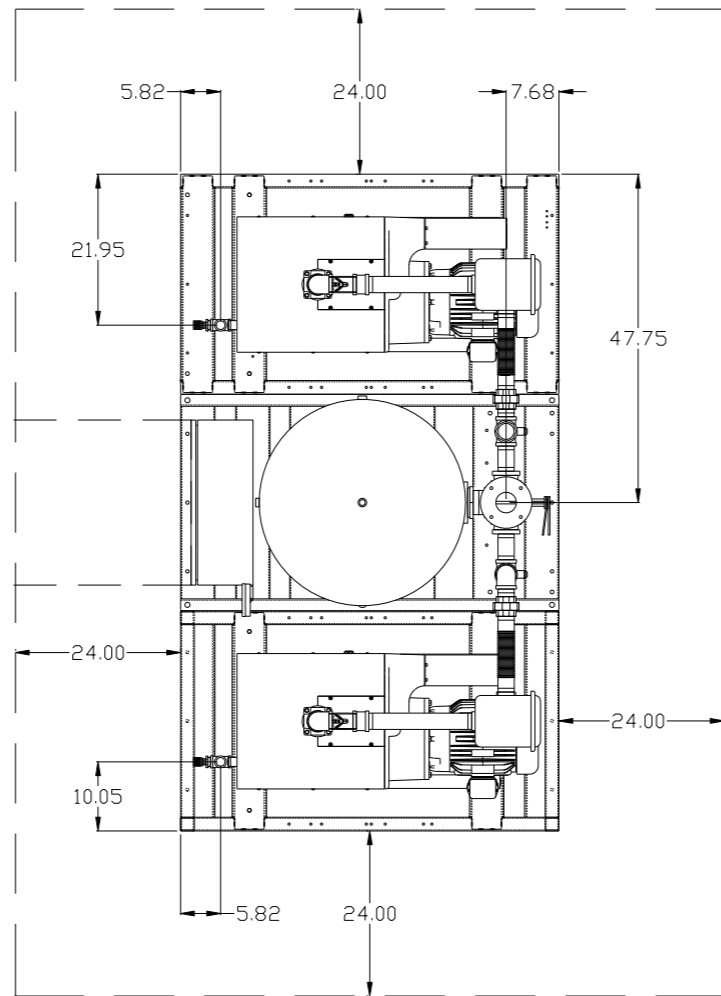
3

2

1

REV	ZONE	REVISION	DATE	ECN	NAME	CHKD
B-1	ALL	RELEASE TO PRODUCTION	4/2/14	PXEC0066	AEK	GES
C-1	1 ALL	UPDATED TO PUMP WITH NEMA RATED MOTOR	12/27/16	PXEC0149	AEK	DMS

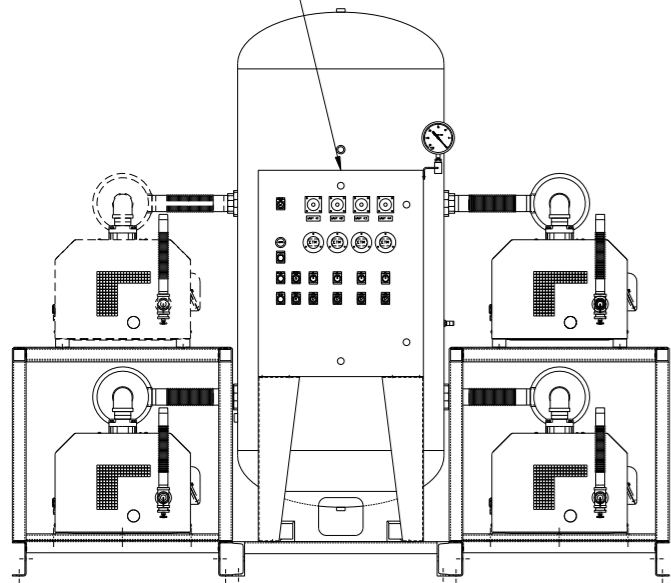
MINIMUM RECOMMENDED ELECTRICAL PANEL CLEARANCE PER OSHA/NEC REQUIREMENTS



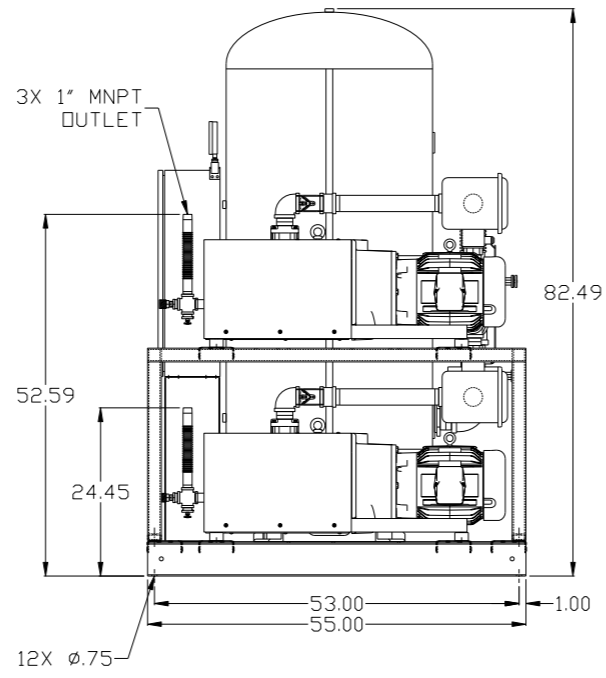
EXPANSION PUMP AND TOP FRAME NOT SHOWN IN TOP VIEW FOR CLARITY

CONTROL PANEL

MINIMUM RECOMMENDED MAINTENANCE CLEARANCE



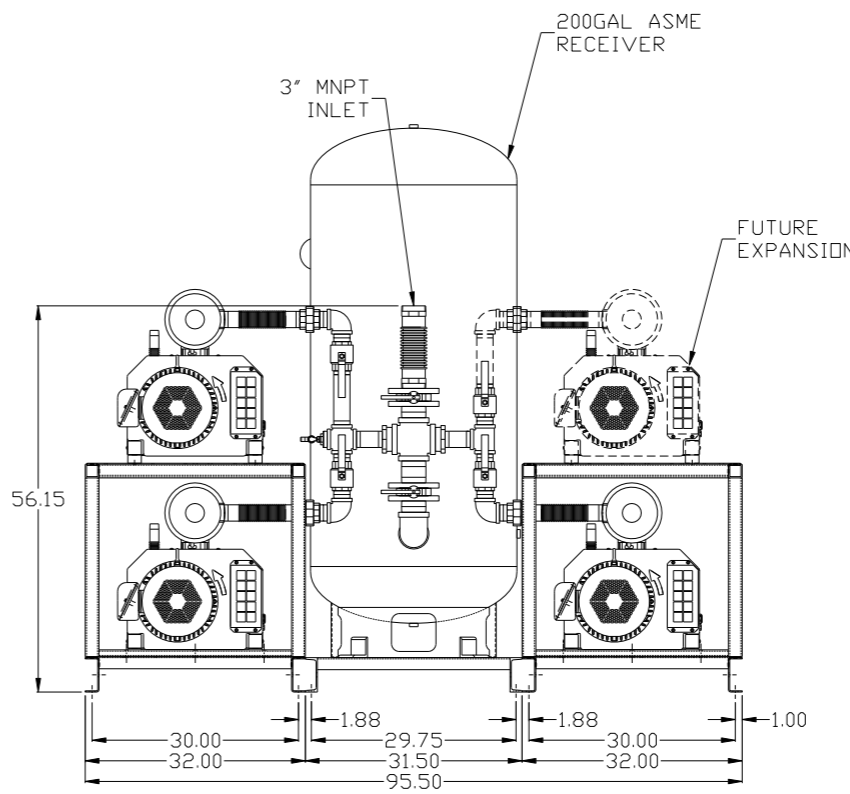
3X 1" MNPT OUTLET



200GAL ASME RECEIVER

3" MNPT INLET

FUTURE EXPANSION



NOTE: SYSTEM DESIGNED IN COMPLIANCE WITH U.S. NFPA '99, LATEST EDITION.

SYMBOL LEGEND		AUTOCAD REL2014 LT		DO NOT SCALE DRAWING FOR DIMENSIONS	
⊖	MINUS DRAFT	⊕	PLUS DRAFT	Sheet 1 of 2	
⊕	ADDITIONAL CONTROL REQ'D	⊕	BRINELL HARDNESS	SCALE 1:14	
TOLERANCES NOT SPECIFIED		INCH		MATERIAL N/A	
.XX ±				PART NAME	
.XXX ±				7.5HP CLAW VAC TRIPLEX	
\angle DEG ±				200GAL EXPANDABLE	
CONFIDENTIAL DISCLOSURE		DRAWN BY		DWG NO	
This drawing is the property of POWEREX, INC. of the SCOTT FEITZER COMPANY and subject to return on demand. Its contents are confidential and must not be copied or submitted to outside parties for use or examination.		AEK		CVPT0755A-EX4	
		CHECKED BY		SIZE	
		GES		D	
		ENGINEERING			
		DMS			
		MFG/MKTG			
		4/2/14			
		4/2/14			
		4/2/14			
		4/2/14			
		150 PRODUCTION DRIVE, HARRISON, OHIO 45030			
		Ph: 888-769-7979 FAX: (513) 367-3125			
		CVP10755A-EX4.dwg			

8

7

6

5

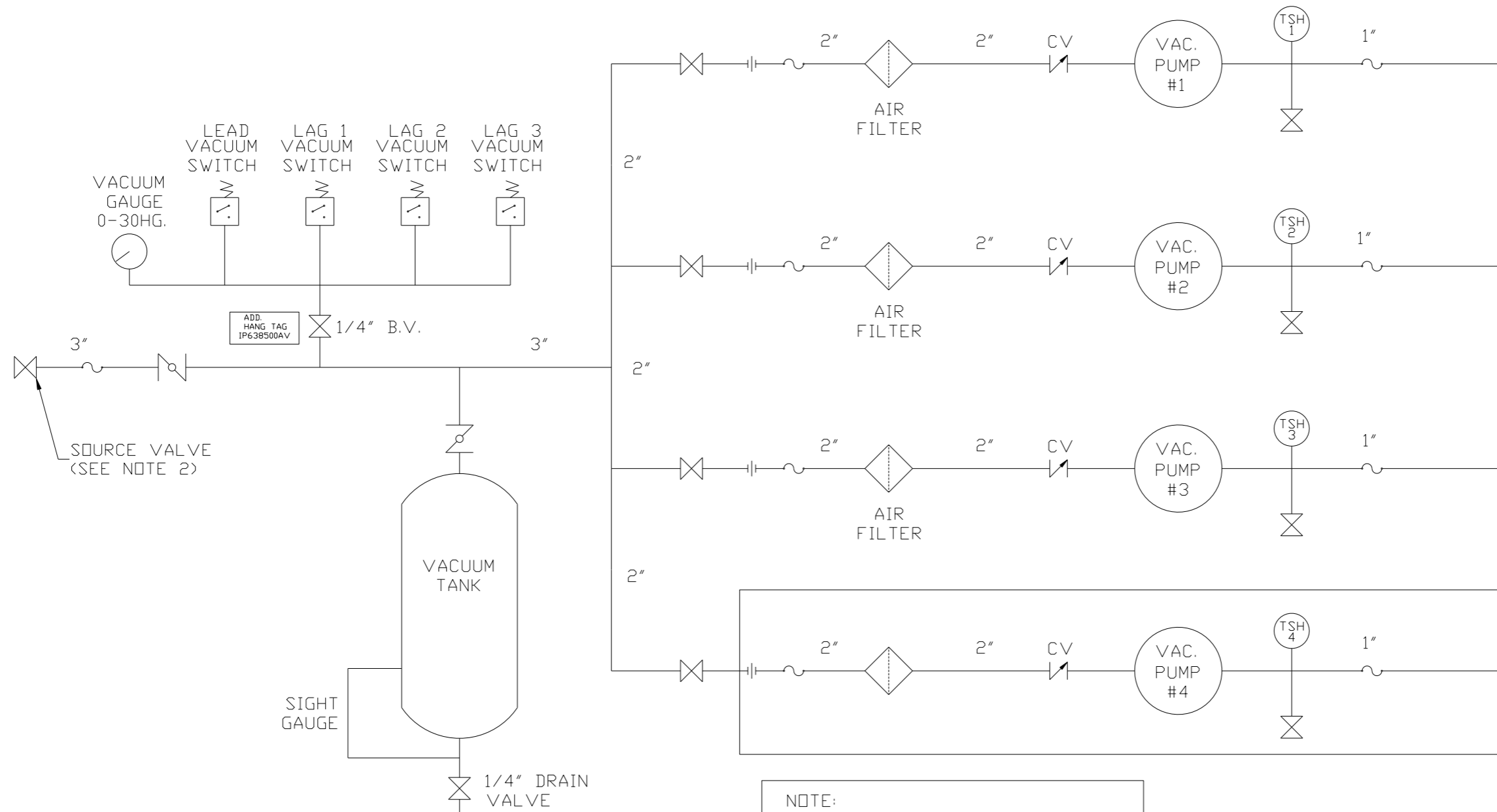
4

3

2

1

REV	ZONE	REVISION	DATE	ECN	NAME	CHKD
B-1	ALL	RELEASE TO PRODUCTION	4/2/14	PXEC0066	AEK	GES
C-1	ALL	UPDATED TO PUMP WITH NEMA RATED MOTOR	12/27/16	PXEC0149	AEK	DMS



NOTE:
A 1/4 INCH VENT PLUG IS
LOCATED IN THE FILTER HOUSING.

FUTURE
EXPANSION

LEGEND	
TEMP. SWITCH	VACUUM SWITCH
AIR FILTER	CHECK VALVE
BALL VALVE	FLEX LINE
BUTTERFLY VALVE	UNION

NOTES:
1) TSH - TEMPERATURE SWITCH HIGH
2) PER NFPA THE SYSTEM WILL REQUIRE A SOURCE VALVE (SUPPLIED BY OTHERS).

SYMBOL LEGEND		= ADDITIONAL CONTROL REQ'D	Drawings to conform to the current revision of the following ANSI standards
= MINUS DRAFT	= PLUS DRAFT	= BRINELL HARDNESS	Y14.3 Multi and sectional view dsgs. Y14.5M Dimensioning and tolerancing
TOLERANCES NOT SPECIFIED	AUTOCAD REL2014 LT	DO NOT SCALE DRAWING FOR DIMENSIONS	
.XX ±	INCH	Sheet 2 of 2	SCALE 1:14
CONFIDENTIAL DISCLOSURE This drawing is the property of POWEREX, INC. of the SCOTT FETZER COMPANY and subject to return on demand. Its contents are confidential and must not be copied or submitted to outside parties for use or examination.			
DRAWN BY	CHECKED BY	APPROVED BY	ENGINEERING MFG/MKTG
AEK	GES	DMS	DFG
DATE	DATE	DATE	DATE
4/2/14	4/2/14	4/2/14	4/2/14
MATERIAL N/A			
PART NAME CLAW VAC TRIPLEX EXPANDABLE		DWG NO CVPT0755A-EX4	SIZE D
FLOW SCHEMATIC		150 PRODUCTION DRIVE, HARRISON, OHIO 45030 Ph: 888-769-7979 FAX: (513) 367-3125	

8

7

6

5

4

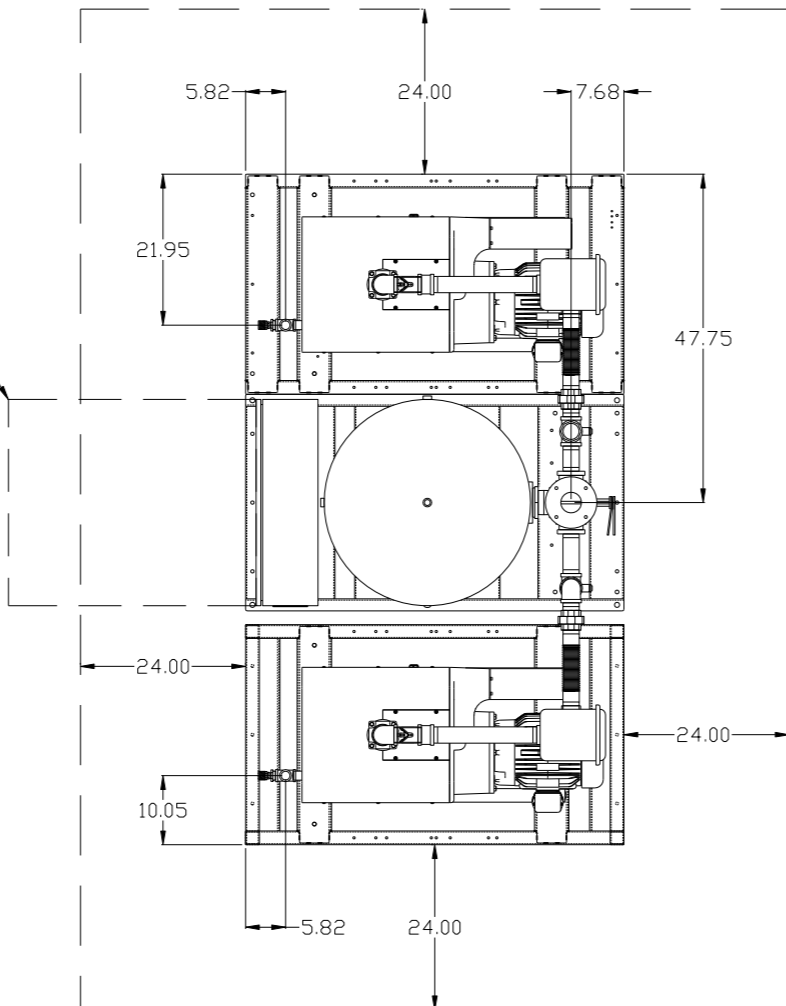
3

2

1

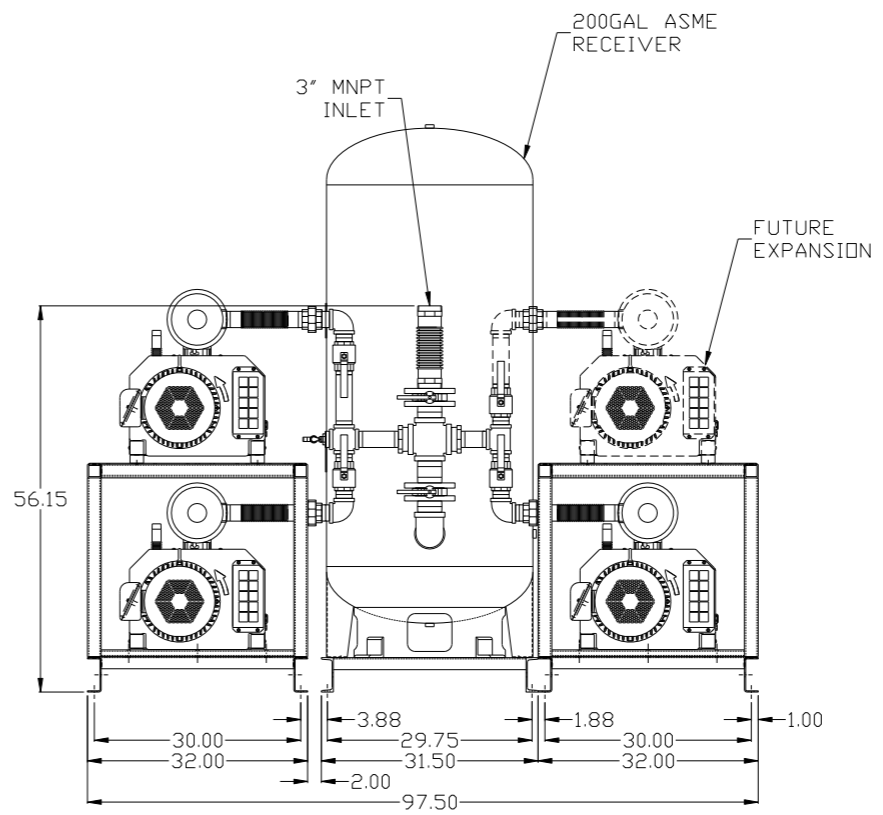
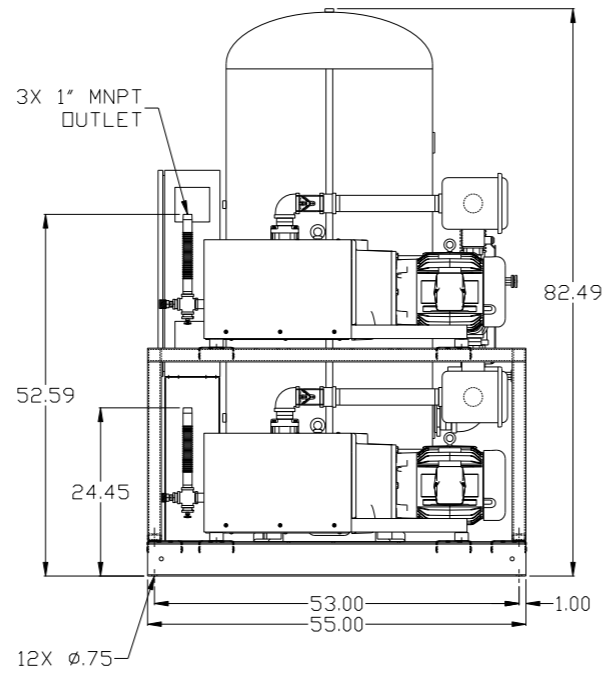
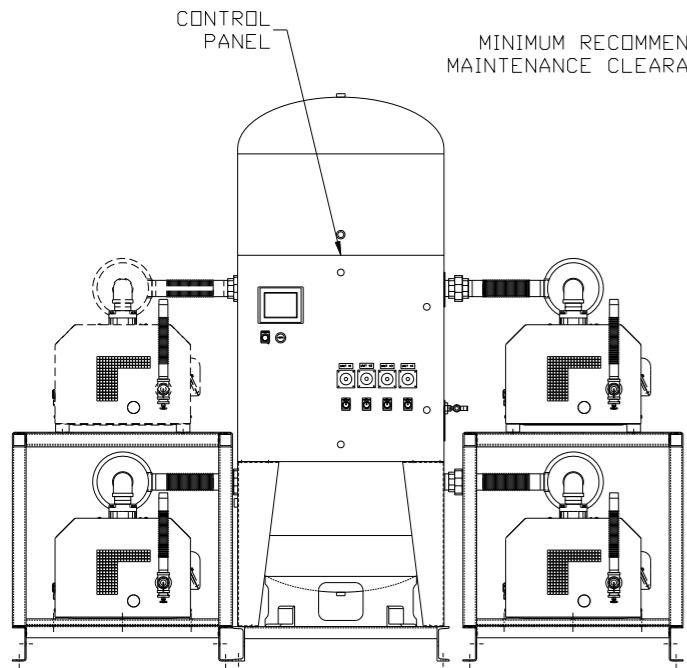
REV	ZONE	REVISION	DATE	ECN	NAME	CHKD
B-1	ALL	RELEASE TO PRODUCTION	4/2/14	PXEC0066	AEK	GES
C-1	1 ALL	UPDATED TO PUMP WITH NEMA RATED MOTOR	12/27/16	PXEC0149	AEK	DMS

MINIMUM RECOMMENDED ELECTRICAL PANEL CLEARANCE PER OSHA/NEC REQUIREMENTS



EXPANSION PUMP AND TOP FRAME NOT SHOWN IN TOP VIEW FOR CLARITY

MINIMUM RECOMMENDED MAINTENANCE CLEARANCE



NOTE: SYSTEM DESIGNED IN COMPLIANCE WITH U.S. NFPA '99, LATEST EDITION.

SYMBOL LEGEND		AUTOCAD REL2014 LT		DO NOT SCALE DRAWING FOR DIMENSIONS	
⊖	MINUS DRAFT	⊕	PLUS DRAFT	Sheet 1 of 2	
⊕	MINUS DRAFT	⊖	PLUS DRAFT	SCALE 1:14	
⊕	PLUS DRAFT	⊖	PLUS DRAFT	DRAWN BY: AEK	
⊕	PLUS DRAFT	⊖	PLUS DRAFT	CHECKED BY: GES	
⊕	PLUS DRAFT	⊖	PLUS DRAFT	APPROVED BY: DMS	
⊕	PLUS DRAFT	⊖	PLUS DRAFT	MFG/MKTG: DFG	
⊕	PLUS DRAFT	⊖	PLUS DRAFT	DATE: 4/2/14	
⊕	PLUS DRAFT	⊖	PLUS DRAFT	DATE: 4/2/14	
⊕	PLUS DRAFT	⊖	PLUS DRAFT	DATE: 4/2/14	
⊕	PLUS DRAFT	⊖	PLUS DRAFT	DATE: 4/2/14	
MATERIAL: N/A		PART NAME: 7.5HP CLAW VAC TRIPLEX 200GAL EXPANDABLE		DWG NO: CVPT0755A-EX4	
CONFIDENTIAL DISCLOSURE: This drawing is the property of POWEREX, INC. of the SCOTT FEITZER COMPANY and subject to return on demand. Its contents are confidential and must not be copied or submitted to outside parties for use or examination.		DRAWN BY: AEK		DATE: 4/2/14	
TOLERANCES NOT SPECIFIED: .XX ±, .XXX ±, <Z< DEG > ±		MATERIAL: N/A		DATE: 4/2/14	
PART NAME: 7.5HP CLAW VAC TRIPLEX 200GAL EXPANDABLE		DWG NO: CVPT0755A-EX4		DATE: 4/2/14	
MATERIAL: N/A		PART NAME: 7.5HP CLAW VAC TRIPLEX 200GAL EXPANDABLE		DATE: 4/2/14	
CONFIDENTIAL DISCLOSURE: This drawing is the property of POWEREX, INC. of the SCOTT FEITZER COMPANY and subject to return on demand. Its contents are confidential and must not be copied or submitted to outside parties for use or examination.		DRAWN BY: AEK		DATE: 4/2/14	
TOLERANCES NOT SPECIFIED: .XX ±, .XXX ±, <Z< DEG > ±		MATERIAL: N/A		DATE: 4/2/14	

8

7

6

5

4

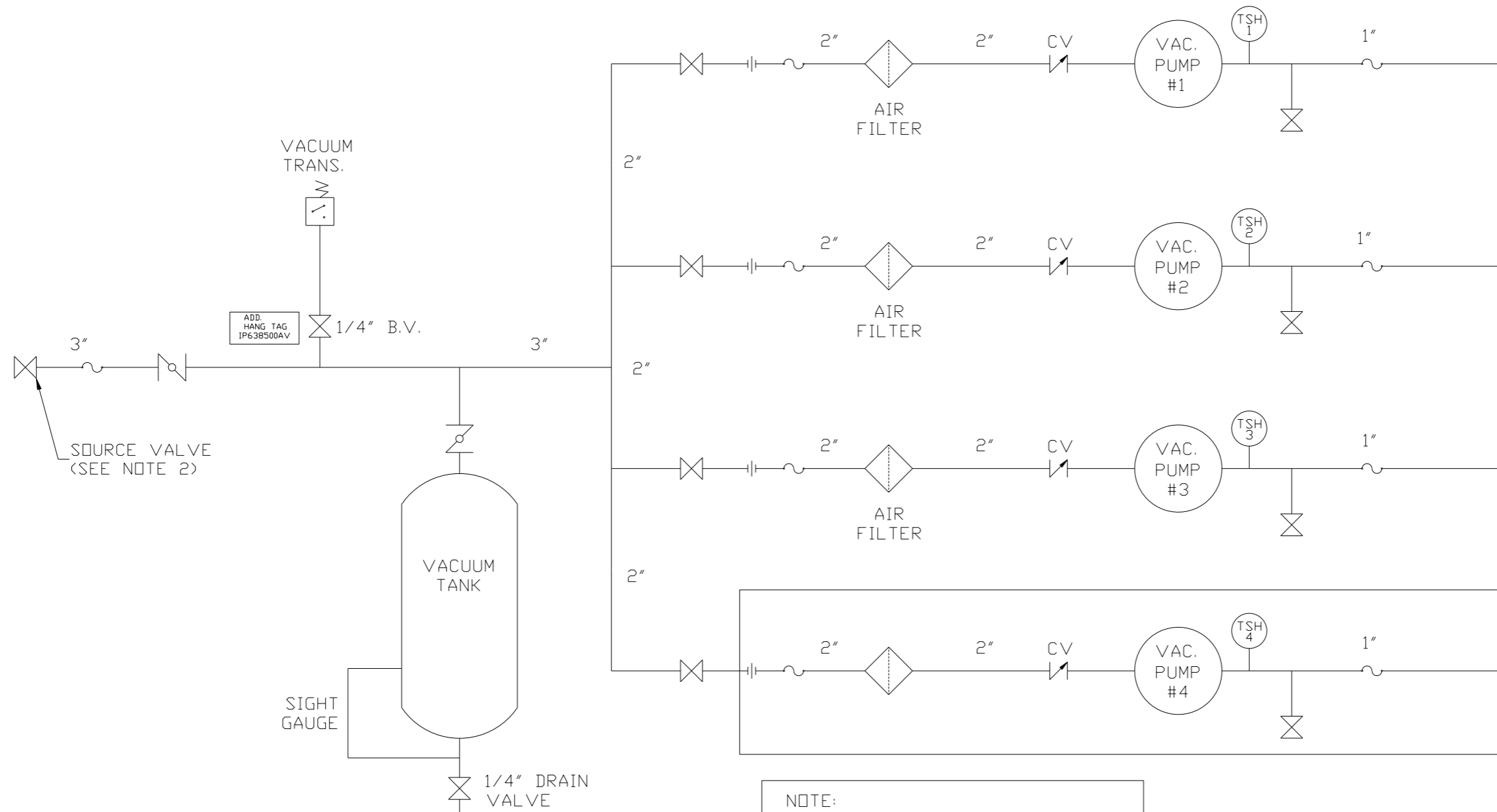
3

2

1

CVP10755A-EX4.dwg

REV	ZONE	REVISION	DATE	ECN	NAME	CHKD
B-1	ALL	RELEASE TO PRODUCTION	4/2/14	PXEC0066	AEK	GES
C-1	ALL	UPDATED TO PUMP WITH NEMA RATED MOTOR	12/27/16	PXEC0149	AEK	DMS



NOTE:
A 1/4 INCH VENT PLUG IS
LOCATED IN THE FILTER HOUSING.

NOTES:
1) TSH - TEMPERATURE SWITCH HIGH
2) PER NFPA THE SYSTEM WILL REQUIRE A SOURCE VALVE (SUPPLIED BY OTHERS).

LEGEND	
TEMP. SWITCH	VACUUM SWITCH
AIR FILTER	CHECK VALVE
BALL VALVE	FLEX LINE
BUTTERFLY VALVE	UNION

SYMBOL LEGEND = MINUS DRAFT = PLUS DRAFT = ADDITIONAL CONTROL REQ'D = BRINELL HARDNESS		Drawings to conform to the current revision of the following ANSI standards: Y14.3 Multi and sectional view dgs. Y14.5M Dimensioning and tolerancing
TOLERANCES NOT SPECIFIED .XX ± .XXX ± \angle (DEG.) ±	AUTOCAD REL2014.LT INCH	DO NOT SCALE DRAWING FOR DIMENSIONS Sheet 2 of 2 SCALE 1:14
CONFIDENTIAL DISCLOSURE This drawing is the property of POWEREX, INC. of the SCOTT FETZER COMPANY and subject to return on demand. Its contents are confidential and must not be copied or submitted to outside parties for use or examination.		
DRAWN BY AEK	CHECKED BY GES	APPROVED BY ENGINEERING MFG/MRKTG DMS DFG
MATERIAL N/A	 150 PRODUCTION DRIVE, HARRISON, OHIO 45030 Ph: 888-769-7979 FAX: (513) 367-3125	
PART NAME CLAW VAC TRIPLEX EXPANDABLE FLOW SCHEMATIC	DWG NO CVPT0755A-EX4	SIZE D