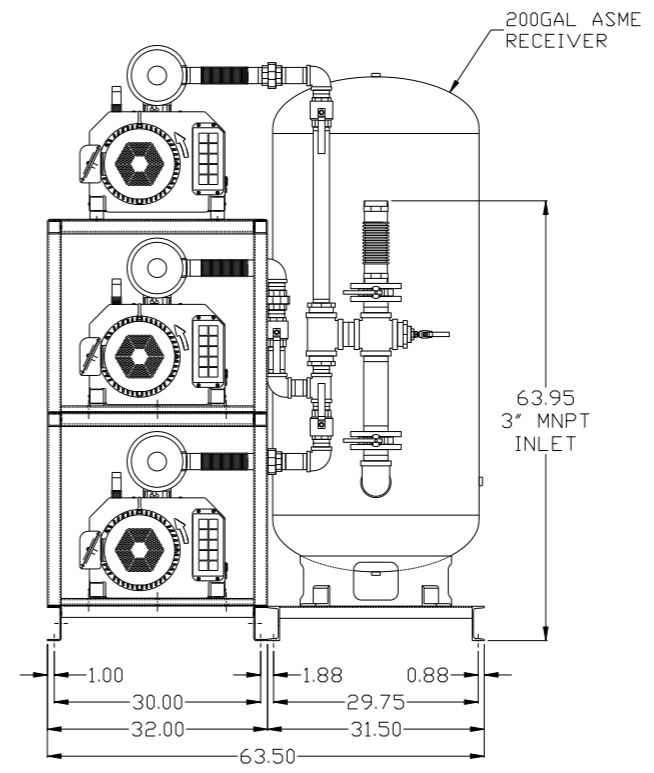
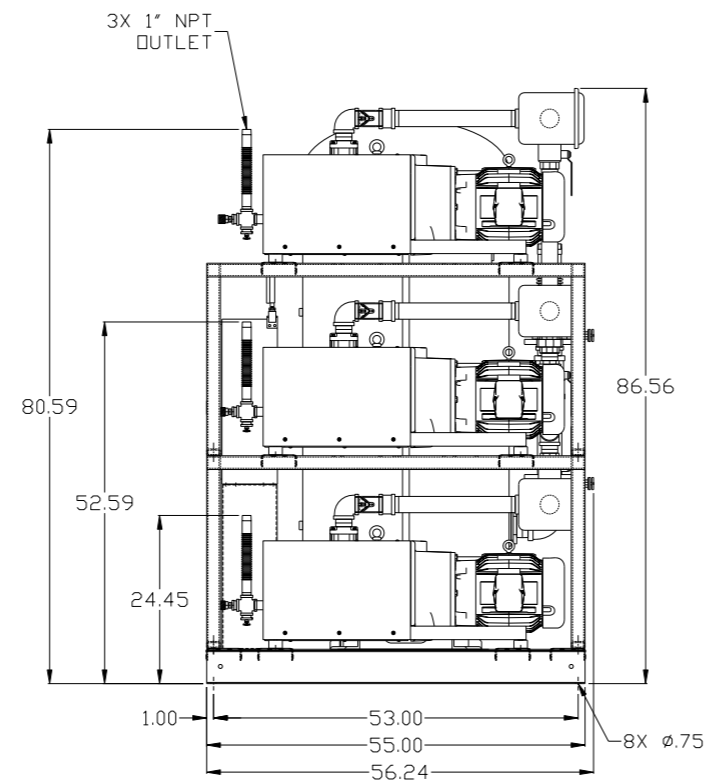
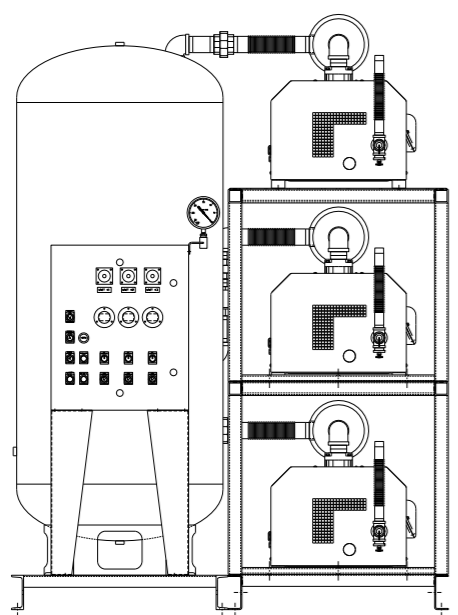


REV	ZONE	REVISION	DATE	ECN	NAME	CHKD
B-1	ALL	RELEASE TO PRODUCTION	2/28/08	21881	AEK	GES
B-2	ALL	ADDED PIPE SIZE TO FLOW SCHEMATIC CORRECTED PLUMBING ON LAYOUT	3/28/08	21881	AEK	GES
B-3	ALL	REMOVED SIGHT GAUGE FROM FLOW MOVED ALL PUMPS TO RIGHT SIDE OF PANEL/ TANK SKID	4/18/08	21881	AEK	GES
C-1	1 ALL	REMOVED VACUUM SWITCHES FROM CONTROL PANEL	11/17/09	22127	AEK	GES
D-1	2 B3.C3	ADDED DRIP LEG	3/26/10	22348	AEK	DMS
E-1	ALL	ADDED P&ID SHEETS	1/5/12	22610	AEK	GES
F-1	ALL	CHANGED 3" BV/UNION TO BUTTERFLY VALVES	6/13/13	PXEC0030	AEK	GES
G-1	ALL	MADE HIGH TEMP STANDARDS ON BASIC CONTROLS	12/8/15	PXEC0048	AEK	GES
H-1	1 ALL	ADDED DSP LAYOUT	2/10/16	PXEC0139	AEK	GES
J-1	ALL	ADDED CENTER OF GRAVITY INFORMATION UPDATED TO PUMP WITH NEMA RATED MOTOR	8/15/16	PXEC0149	AEK	GES

MINIMUM RECOMMENDED
ELECTRICAL PANEL
CLEARANCE PER OSHA/NEC
REQUIREMENTS

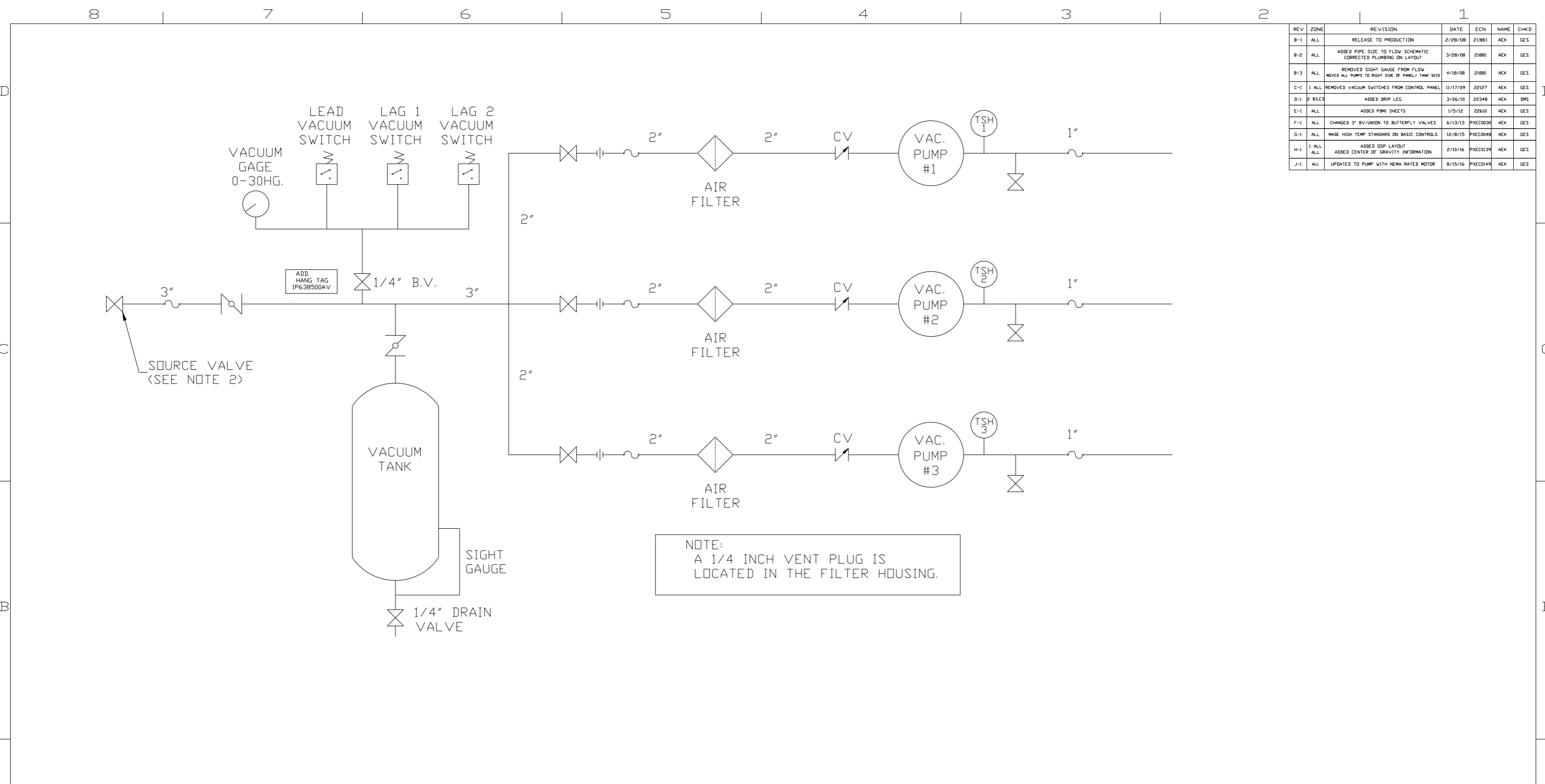
MINIMUM RECOMMENDED
MAINTENANCE
CLEARANCE



NOTE: SYSTEM DESIGNED IN
COMPLIANCE WITH U.S. NFPA '99,
LATEST EDITION.

SYMBOL LEGEND ⊖ = MINUS DRAFT ⊕ = PLUS DRAFT Ⓢ = ADDITIONAL CONTROL REQ'D Ⓢ = BRINELL HARDNESS		Drawings to conform to the current revision of the following ANSI standards: Y14.3 Multi and sectional view dgs. Y14.5M Dimensioning and tolerancing	
TOLERANCES NOT SPECIFIED .XX ± .XXX ± <<DEG> ±		AUTOCAD REL2008 LT INCH DO NOT SCALE DRAWING FOR DIMENSIONS Sheet 1 of 4 SCALE 1:14	
CONFIDENTIAL DISCLOSURE This drawing is the property of POWEREX, INC. of the SCOTT FETZER COMPANY and subject to return on demand. Its contents are confidential and must not be copied or submitted to outside parties for use or examination.			
DRAWN BY AEK		CHECKED BY GES	
APPROVED BY DMS		ENGINEERING MFG/MKTG RJR	
DATE 2/28/08		DATE 2/28/08	
DATE 2/28/08		DATE 2/28/08	
MATERIAL N/A		POWEREX 150 PRODUCTION DRIVE, HARRISON, OHIO 45030 Ph: 888-769-7979 FAX: (513) 367-3125	
PART NAME 7.5HP CLAW VACUUM 200GAL. TRIPLEX		DWG NO CVPT0755A SIZE D	

REV	ZONE	REVISION	DATE	ECN	NAME	CHKD
B-1	ALL	RELEASE TO PRODUCTION	2/28/08	21881	AEK	GES
B-2	ALL	ADDED PIPE SIZE TO FLOW SCHEMATIC CORRECTED PLUMBING ON LAYOUT	3/28/08	21881	AEK	GES
B-3	ALL	REMOVED SIGHT GAUGE FROM FLOW MOVED ALL PUMPS TO RIGHT SIDE OF PANEL/ TANK SKID	4/18/08	21881	AEK	GES
C-1	1 ALL	REMOVED VACUUM SWITCHES FROM CONTROL PANEL	11/17/09	22127	AEK	GES
D-1	2 B3.C3	ADDED DRIP LEG	3/26/10	22348	AEK	DMS
E-1	ALL	ADDED P&ID SHEETS	1/5/12	22610	AEK	GES
F-1	ALL	CHANGED 3" BV/UNION TO BUTTERFLY VALVES	6/13/13	PXEC0030	AEK	GES
G-1	ALL	MADE HIGH TEMP STANDARDS ON BASIC CONTROLS	12/8/15	PXEC0048	AEK	GES
H-1	1 ALL	ADDED DSP LAYOUT	2/10/16	PXEC0139	AEK	GES
J-1	ALL	ADDED CENTER OF GRAVITY INFORMATION	8/15/16	PXEC0149	AEK	GES



NOTE:
A 1/4 INCH VENT PLUG IS
LOCATED IN THE FILTER HOUSING.

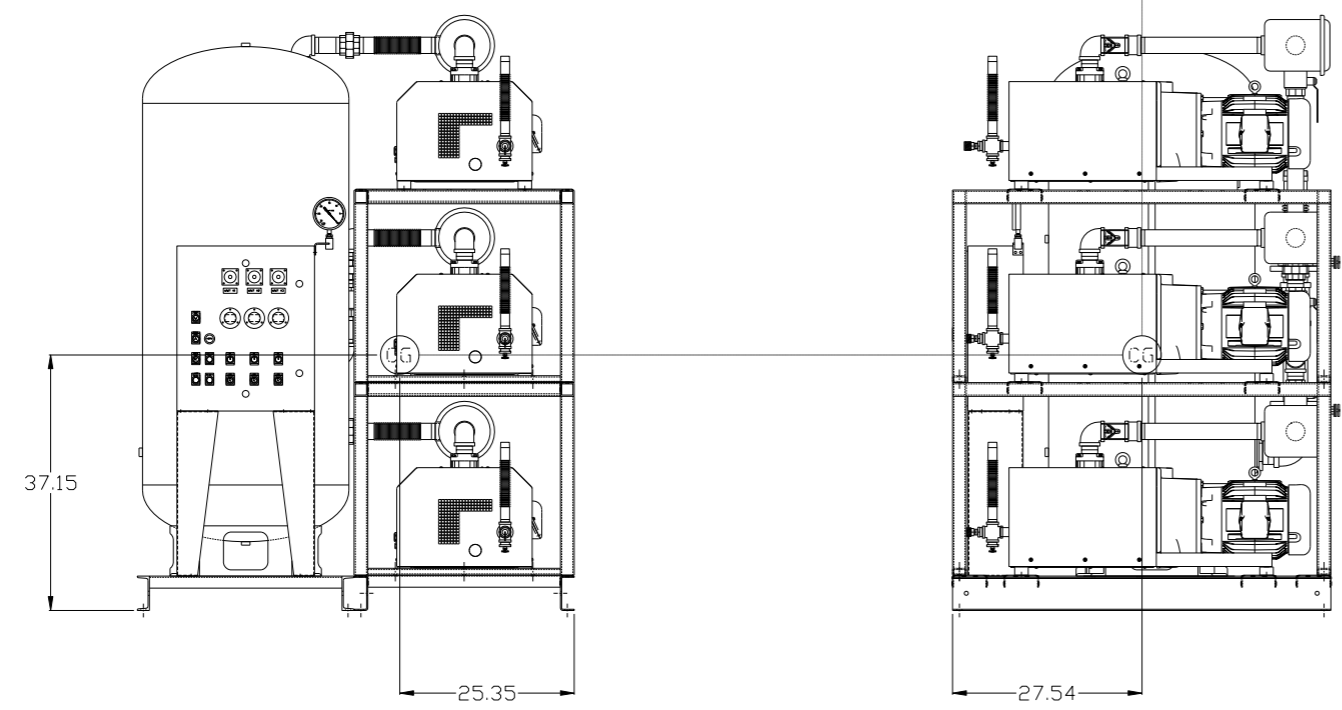
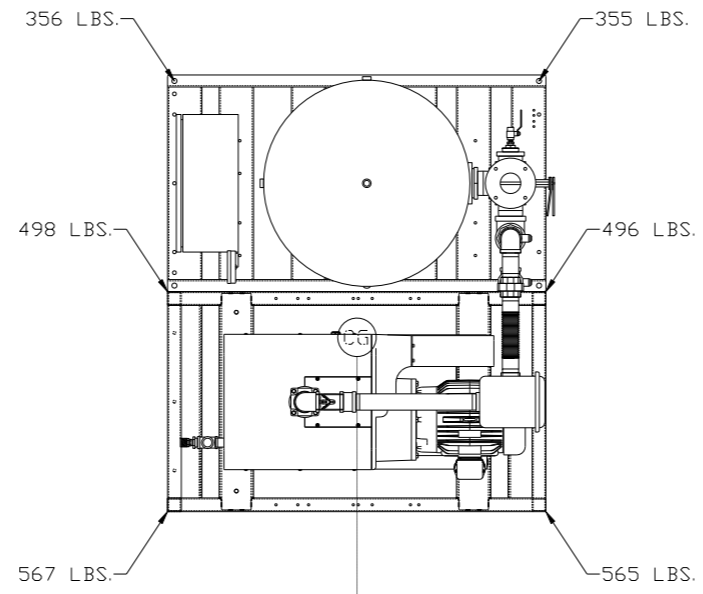
LEGEND	
TEMP. SWITCH	VACUUM SWITCH
AIR FILTER	CHECK VALVE
BALL VALVE	FLEX LINE
BUTTERFLY VALVE	UNION

NOTES:
1) TSH - TEMPERATURE SWITCH HIGH
2) PER NFPA THE SYSTEM WILL REQUIRE A SOURCE VALVE (SUPPLIED BY OTHERS).

SYMBOL LEGEND		= ADDITIONAL CONTROL REQ'D	Drawings to conform to the current revision of the following ANSI standards	
= MINUS DRAFT	= PLUS DRAFT	= BRINELL HARDNESS	Y14.3 Multi and sectional view dgs. Y14.5M Dimensioning and tolerancing	
TOLERANCES NOT SPECIFIED	AUTOCAD REL2008 LT	DO NOT SCALE DRAWING FOR DIMENSIONS		
.XX ±	INCH	Sheet 2 of 4	SCALE 1:14	
CONFIDENTIAL DISCLOSURE This drawing is the property of POWEREX, INC. OF THE SCOTT FETZER COMPANY and subject to return on demand. Its contents are confidential and must not be copied or submitted to outside parties for use or examination.		DRAWN BY AEK	CHECKED BY GES	APPROVED BY ENGINEERING MFG/MKTG DMS RJR
MATERIAL N/A		2/28/08	2/28/08 2/28/08 2/28/08	
PART NAME VACUUM PACKAGE TRIPLEX		 150 PRODUCTION DRIVE, HARRISON, OHIO 45030 Ph 888-769-7979 FAX (513) 367-3125		
DWG NO CVPT0755A		SIZE D		

8 7 6 5 4 3 2 1

REV	ZONE	REVISION	DATE	ECN	NAME	CHKD
H-1	ALL	ADDED DSP LAYOUT	2/10/16	PXEC0139	AEK	GES
J-1	ALL	ADDED CENTER OF GRAVITY INFORMATION				
J-1	ALL	UPDATED TO PUMP WITH NEMA RATED MOTOR	8/15/16	PXEC0149	AEK	GES



denotes center of gravity (CG)

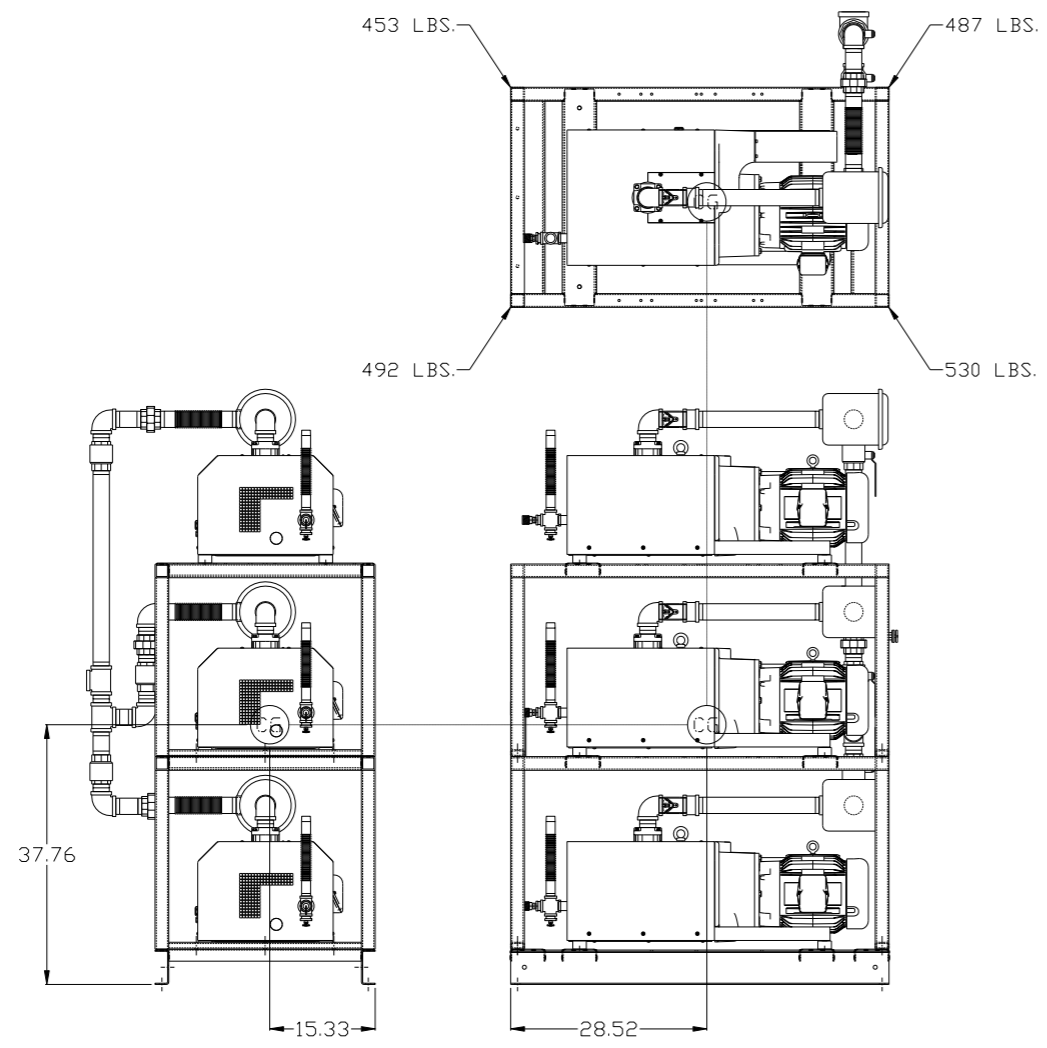
VACUUM SYSTEM:
 TOTAL WEIGHT: 2837 LBS
 C.O.G. DIMENSIONS
 X (FRONT): -25.35"
 Y (RIGHT): 27.54"
 Z (HEIGHT): 37.15"

SYMBOL LEGEND ⊖ = MINUS DRAFT ⊕ = PLUS DRAFT ⊕ = ADDITIONAL CONTROL REQ'D HRC = BRINELL HARDNESS		Drawings to conform to the current revision of the following ANSI standards: Y14.3 Multi and sectional view dgs. Y14.5M Dimensioning and tolerancing	
TOLERANCES NOT SPECIFIED .XX ± .XXX ± <DEG> ±		AUTOCAD REL2008 LT INCH DO NOT SCALE DRAWING FOR DIMENSIONS Sheet 4 of 4 SCALE 1: 14	
CONFIDENTIAL DISCLOSURE This drawing is the property of POWEREX, INC. of the SCOTT FEITZER COMPANY and subject to return on demand. Its contents are confidential and must not be copied or submitted to outside parties for use or examination.			
DRAWN BY AEK		CHECKED BY GES	
APPROVED BY KMD		APPROVED BY JJ	
DATE 2/10/16		DATE 2/10/16	
DATE 2/10/16		DATE 2/10/16	
MATERIAL N/A		PART NAME 7.5HP CLAW VACUUM 200GAL. TRIPLEX	
DWG NO CVPT0755A		SIZE D	

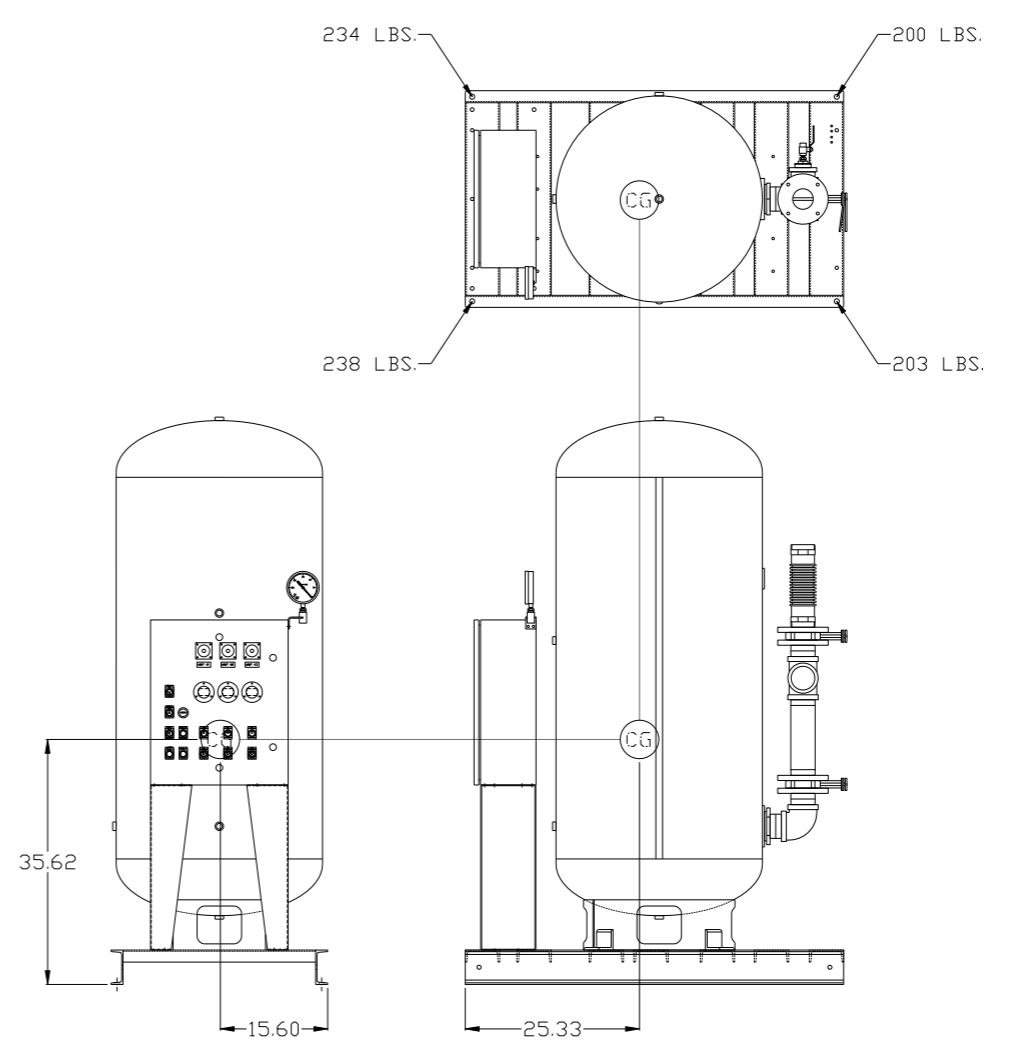
8 7 6 5 4 3 2 1

8 7 6 5 4 3 2 1

REV	ZONE	REVISION	DATE	ECN	NAME	CHKD
H-1	ALL	ADDED DSP LAYOUT	2/10/16	PXEC0139	AEK	GES
J-1	ALL	ADDED CENTER OF GRAVITY INFORMATION	2/10/16	PXEC0139	AEK	GES
J-1	ALL	UPDATED TO PUMP WITH NEMA RATED MOTOR	8/15/16	PXEC0149	AEK	GES



PUMP SKID:
 TOTAL WEIGHT: 1962 LBS
 C.O.G. DIMENSIONS
 X (FRONT): -15.33"
 Y (RIGHT): 28.52"
 Z (HEIGHT): 37.76"



PANEL/TANK SKID:
 TOTAL WEIGHT: 875 LBS
 C.O.G. DIMENSIONS
 X (FRONT): -15.60"
 Y (RIGHT): 25.33"
 Z (HEIGHT): 35.62"

denotes center of gravity (CG)

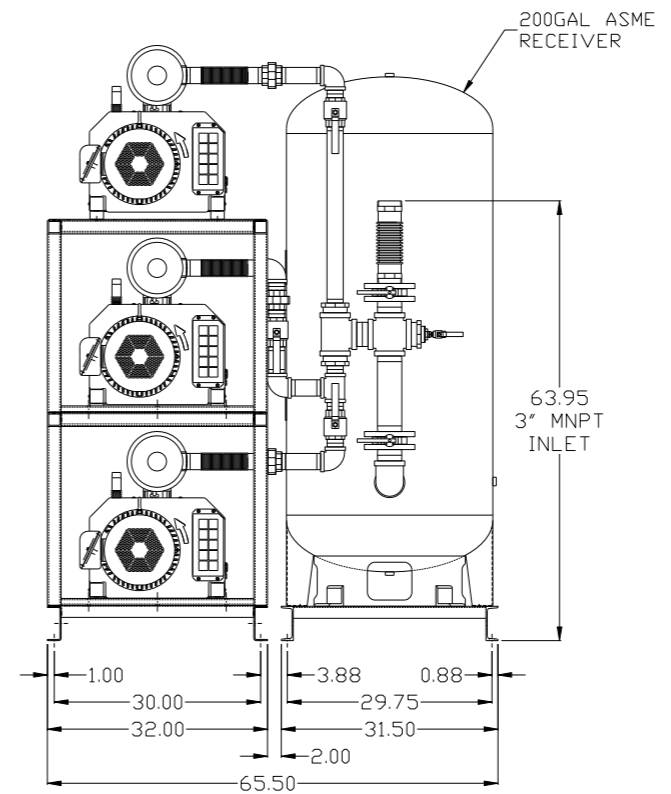
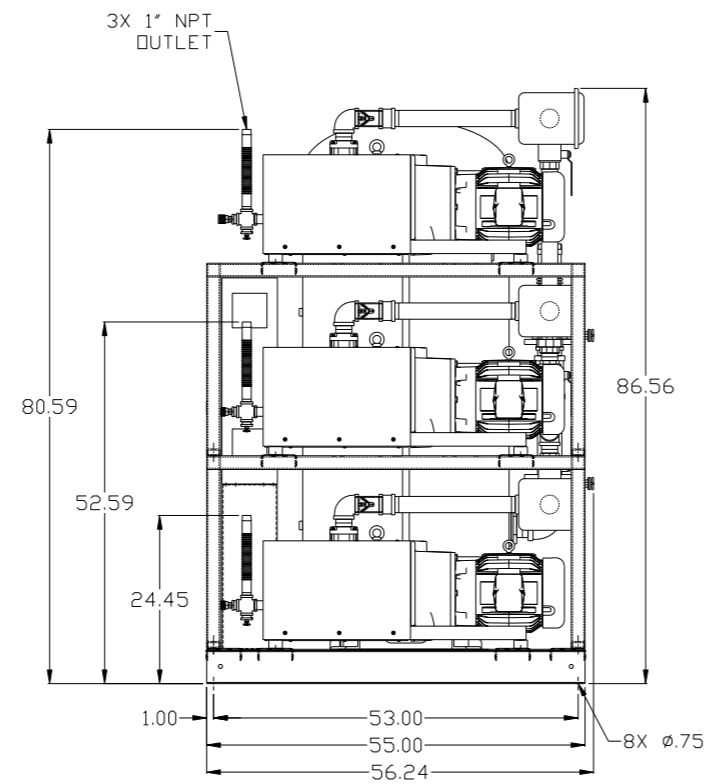
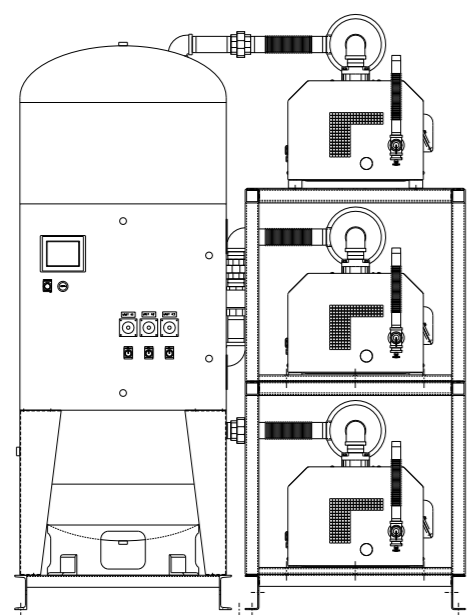
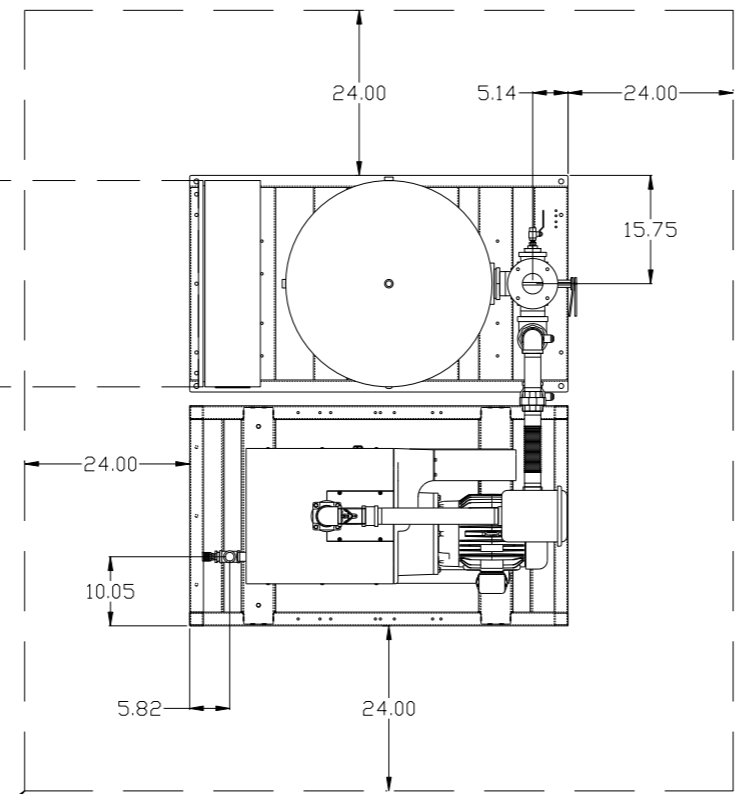
SYMBOL LEGEND ⊖ = MINUS DRAFT ⊕ = PLUS DRAFT ⊕ = ADDITIONAL CONTROL REQ'D HRC = BRINELL HARDNESS		Drawings to conform to the current revision of the following ANSI standards: Y14.3 Multi and sectional view dgs. Y14.5M Dimensioning and tolerancing	
TOLERANCES NOT SPECIFIED .XX ± .XXX ± << DEG >> ±		AUTOCAD REL2008 LT INCH DO NOT SCALE DRAWING FOR DIMENSIONS Sheet 3 of 4 SCALE 1:14	
CONFIDENTIAL DISCLOSURE This drawing is the property of POWEREX, INC. of the SCOTT FEITZER COMPANY and subject to return on demand. Its contents are confidential and must not be copied or submitted to outside parties for use or examination.			
DRAWN BY AEK		CHECKED BY GES	
APPROVED BY KMD		ENGINEERING JJ	
DATE 2/10/16		DATE 2/10/16	
MATERIAL N/A		APPROVED BY KMD	
PART NAME 7.5HP CLAW VACUUM 200GAL. TRIPLEX		APPROVED BY JJ	
DWG NO CVPT0755A		DATE 2/10/16	
SIZE D		APPROVED BY JJ	

8 7 6 5 4 3 2 1

REV	ZONE	REVISION	DATE	ECN	NAME	CHKD
E-1	ALL	ADDED PBM1 SHEETS	1/5/12	22610	AEK	GES
F-1	ALL	CHANGED 3" BV/UNION TO BUTTERFLY VALVES	6/13/13	PXEC0030	AEK	GES
G-1	ALL	MADE HIGH TEMP STANDARD ON BASIC CONTROLS	12/8/15	PXEC0048	AEK	GES
H-1	1 ALL	ADDED DSP LAYOUT	2/10/16	PXEC0139	AEK	GES
J-1	ALL	UPDATED TO PUMP WITH NEMA RATED MOTOR	8/15/16	PXEC0149	AEK	GES

MINIMUM RECOMMENDED ELECTRICAL PANEL CLEARANCE PER OSHA/NEC REQUIREMENTS

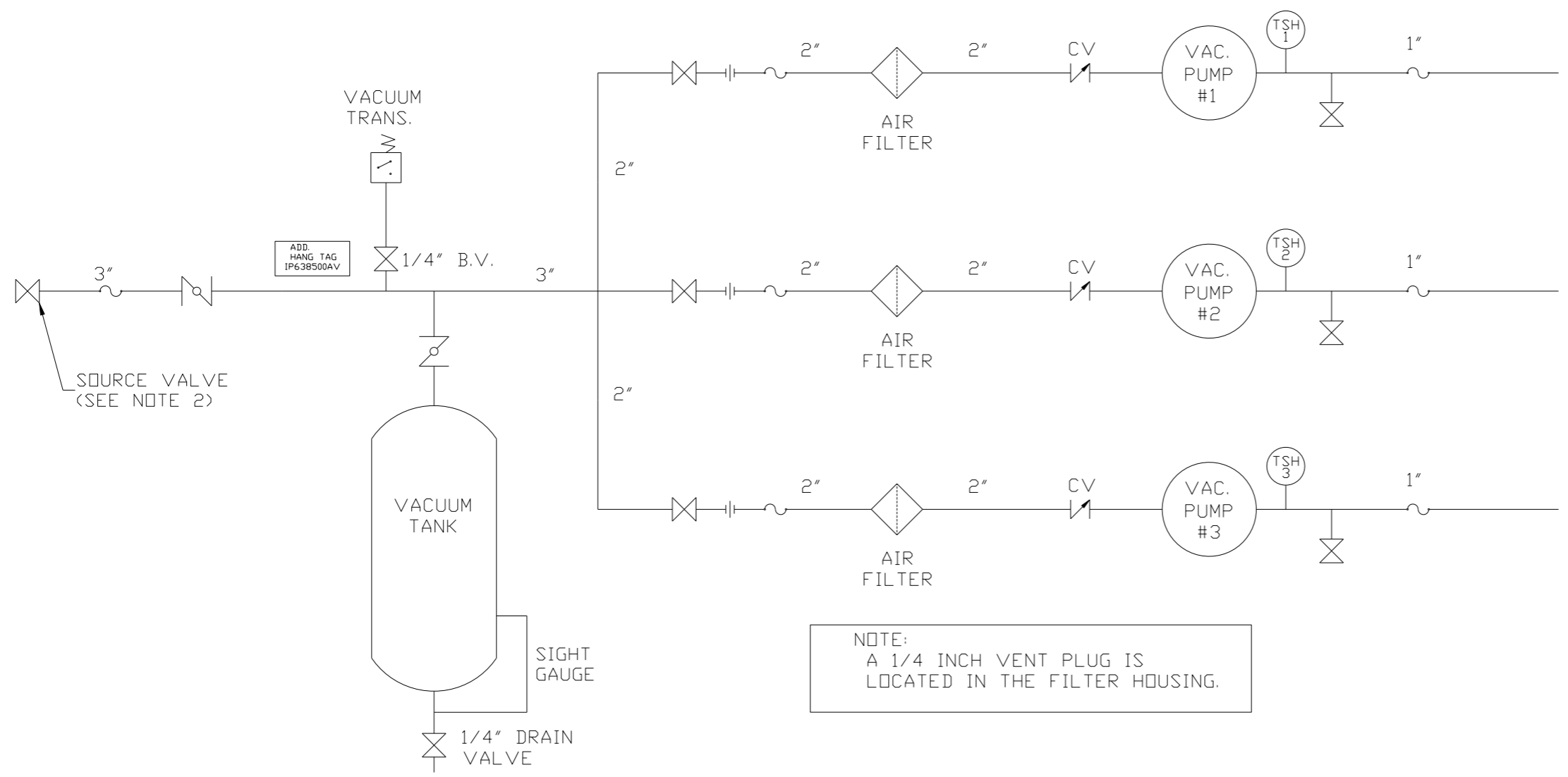
MINIMUM RECOMMENDED MAINTENANCE CLEARANCE



NOTE: SYSTEM DESIGNED IN COMPLIANCE WITH U.S. NFPA '99, LATEST EDITION.

SYMBOL LEGEND ⊖ = MINUS DRAFT ⊕ = PLUS DRAFT Ⓢ = ADDITIONAL CONTROL REQ'D ⓈH = BRINELL HARDNESS		Drawings to conform to the current revision of the following ANSI standards: Y14.3 Multi and sectional view dsgs. Y14.5M Dimensioning and tolerancing	
TOLERANCES NOT SPECIFIED .XX ± .XXX ± <DEG> ±		AUTOCAD REL2008 LT INCH DO NOT SCALE DRAWING FOR DIMENSIONS Sheet 1 of 3 SCALE 1:14	
CONFIDENTIAL DISCLOSURE This drawing is the property of POWEREX, INC. of the SCOTT FEITZER COMPANY and subject to return on demand. Its contents are confidential and must not be copied or submitted to outside parties for use or examination.		DRAWN BY: AEK CHECKED BY: GES 1/5/12 ENGINEERING: DMS APPROVED BY: RJR 1/5/12 MFG/MKTG	
MATERIAL: N/A		POWEREX 150 PRODUCTION DRIVE, HARRISON, OHIO 45030 Ph: 888-769-7979 FAX: (513) 367-3125	
PART NAME: 7.5HP CLAW VACUUM 200GAL. TRIPLEX		DWG NO: CVPT0755A SIZE: D	

REV	ZONE	REVISION	DATE	ECN	NAME	CHKD
E-1	ALL	ADDED PBM1 SHEETS	1/5/12	22610	AEK	GES
F-1	ALL	CHANGED 3" BV/UNION TO BUTTERFLY VALVES	6/13/13	PXEC0030	AEK	GES
G-1	ALL	MADE HIGH TEMP STANDARD ON BASIC CONTROLS	12/8/15	PXEC0048	AEK	GES
H-1	1 ALL	ADDED DSP LAYOUT	2/10/16	PXEC0139	AEK	GES
J-1	ALL	ADDED CENTER OF GRAVITY INFORMATION				
J-1	ALL	UPDATED TO PUMP WITH NEMA RATED MOTOR	8/15/16	PXEC0149	AEK	GES



NOTE:
A 1/4 INCH VENT PLUG IS
LOCATED IN THE FILTER HOUSING.

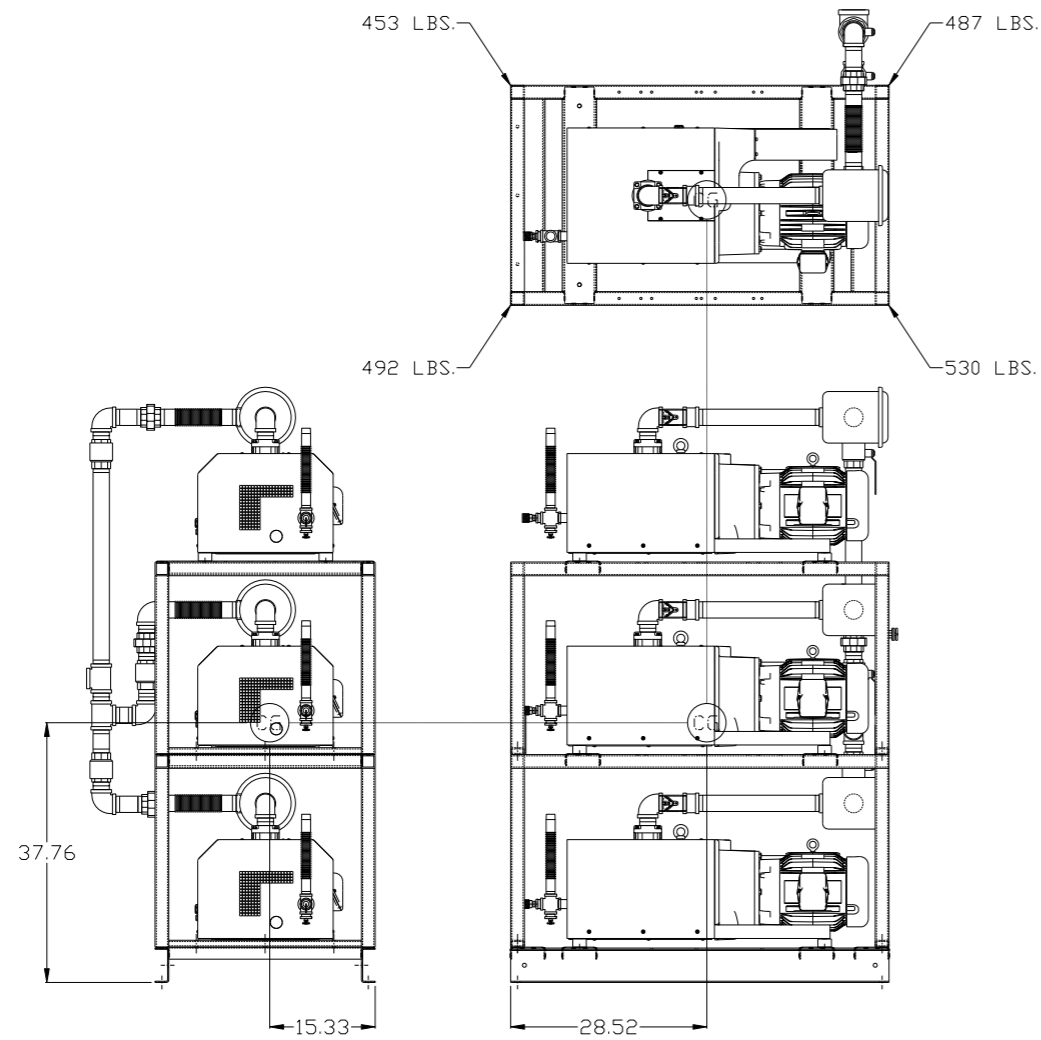
NOTES:
1) TSH - TEMPERATURE SWITCH HIGH
2) PER NFPA THE SYSTEM WILL REQUIRE A SOURCE VALVE (SUPPLIED BY OTHERS).

LEGEND	
	TEMP. SWITCH
	VACUUM SWITCH
	AIR FILTER
	BALL VALVE
	BUTTERFLY VALVE
	CHECK VALVE
	FLEX LINE
	UNION

SYMBOL LEGEND			= ADDITIONAL CONTROL REQ'D		Drawings to conform to the current revision of the following ANSI standards:
	= MINUS DRAFT		= BRINELL HARDNESS		Y14.3 Multi and sectional view dgs. Y14.5M Dimensioning and tolerancing
TOLERANCES NOT SPECIFIED		AUTOCAD REL2008 LT	DO NOT SCALE DRAWING FOR DIMENSIONS		
.XX ±	.XXX ±	INCH	Sheet 2 of 3	SCALE 1:14	
CONFIDENTIAL DISCLOSURE This drawing is the property of POWEREX, INC. of the SCOTT FETZER COMPANY and subject to return on demand. Its contents are confidential and must not be copied or submitted to outside parties for use or examination.					
DRAWN BY	CHECKED BY	ENGINEERING	MFG/MKTG		
AEK	GES	DMS	RJR		
1/5/12	1/5/12	1/5/12	1/5/12		
MATERIAL N/A					
PART NAME VACUUM PACKAGE TRIPLEX		DWG NO CVPT0755A		SIZE D	

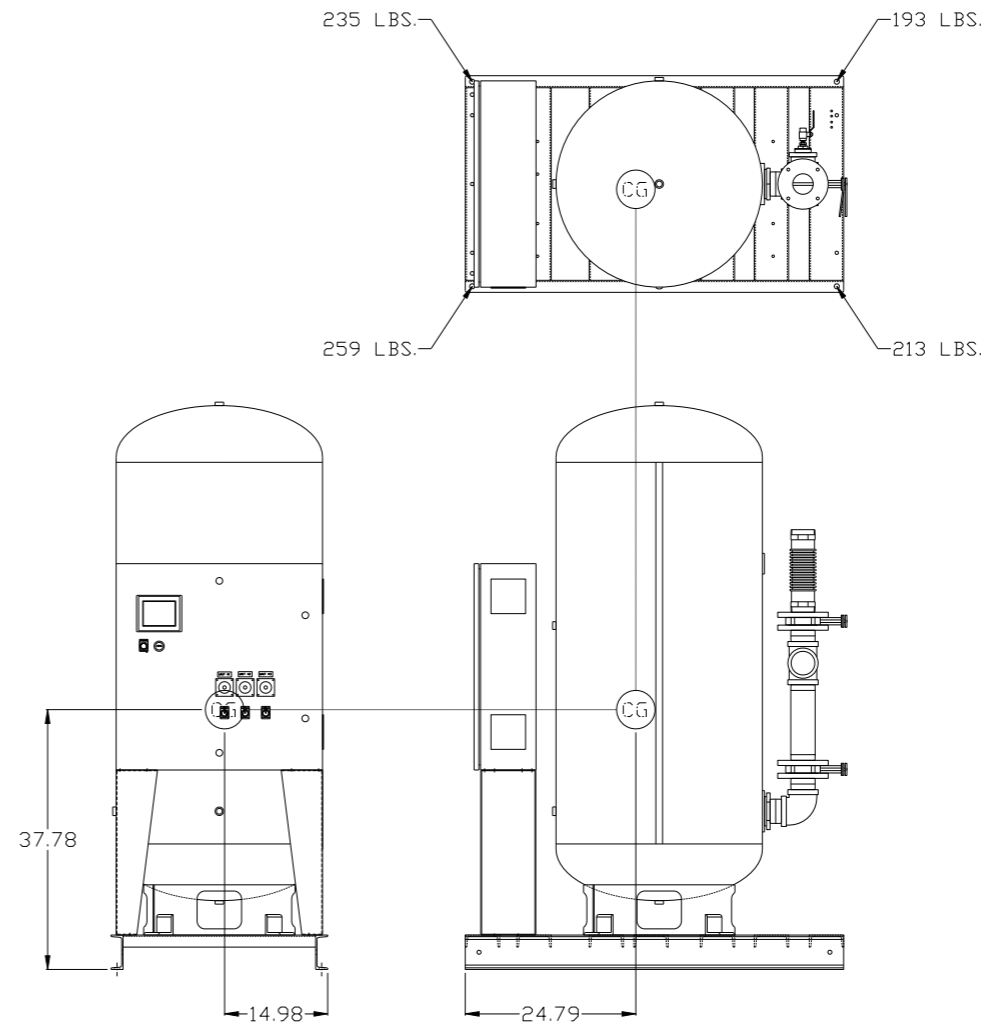
8 7 6 5 4 3 2 1

REV	ZONE	REVISION	DATE	ECN	NAME	CHKD
H-1	ALL	ADDED DSP LAYOUT	2/10/16	PXEC0139	AEK	GES
J-1	ALL	ADDED CENTER OF GRAVITY INFORMATION	2/10/16	PXEC0139	AEK	GES
J-1	ALL	UPDATED TO PUMP WITH NEMA RATED MOTOR	8/15/16	PXEC0149	AEK	GES



PUMP SKID:

TOTAL WEIGHT: 1962 LBS
C.O.G. DIMENSIONS
X (FRONT): -15.33"
Y (RIGHT): 28.52"
Z (HEIGHT): 37.76"



PANEL/TANK SKID:

TOTAL WEIGHT: 900 LBS
C.O.G. DIMENSIONS
X (FRONT): -14.98"
Y (RIGHT): 24.79"
Z (HEIGHT): 37.78"

denotes center of gravity (CG)

SYMBOL LEGEND		= ADDITIONAL CONTROL REQ'D		Drawings to conform to the current revision of the following ANSI standards:	
⊖	MINUS DRAFT	⊕	PLUS DRAFT	⊖	BRINELL HARDNESS
TOLERANCES NOT SPECIFIED		AUTOCAD REL2008 LT		DO NOT SCALE DRAWING FOR DIMENSIONS	
.XX ±	.XXX ±	INCH		Sheet 3 of 3	SCALE 1:14
CONFIDENTIAL DISCLOSURE This drawing is the property of POWEREX, INC. of the SCOTT FEITZER COMPANY and subject to return on demand. Its contents are confidential and must not be copied or submitted to outside parties for use or examination.					
DRAWN BY		CHECKED BY		APPROVED BY	
AEK		GES		KMD JJ	
2/10/16		2/10/16		2/10/16 2/10/16	
MATERIAL		N/A		 150 PRODUCTION DRIVE, HARRISON, OHIO 45030 Ph: 888-769-7979 FAX: (513) 367-3125	
PART NAME		7.5HP CLAW VACUUM		SIZE	
200GAL. TRIPLEX		CVPT0755A		D	

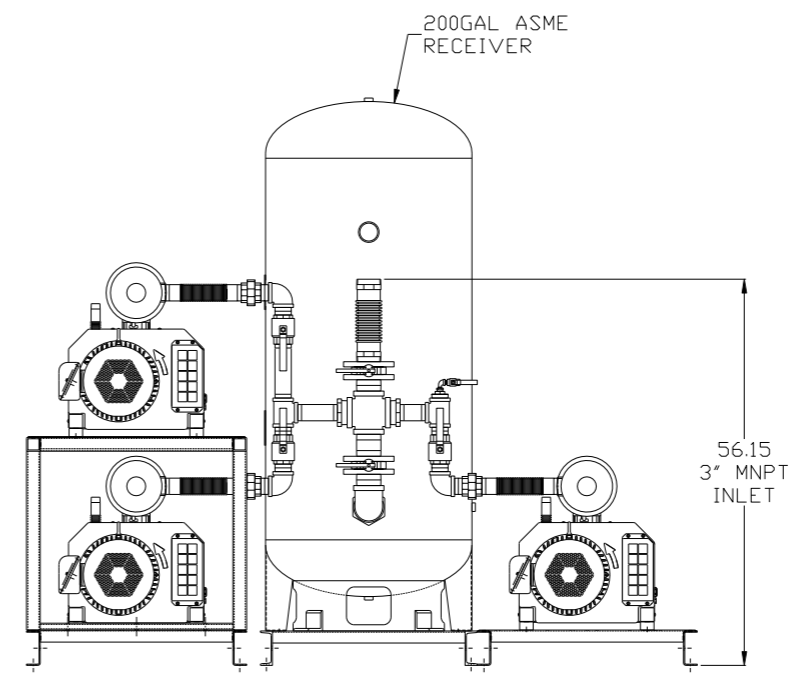
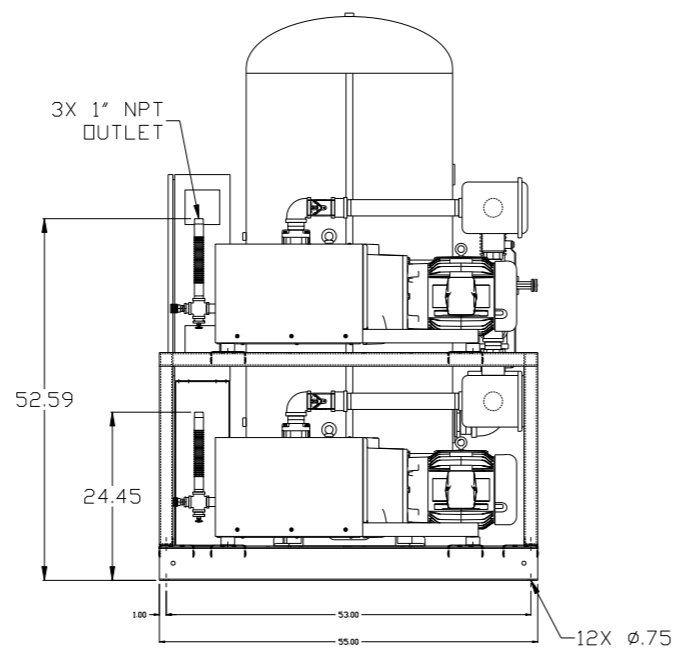
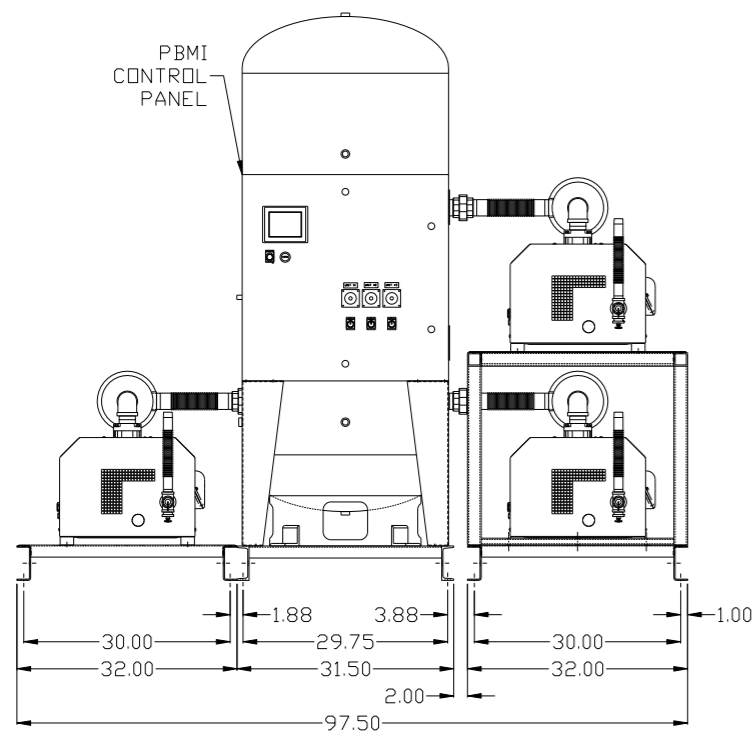
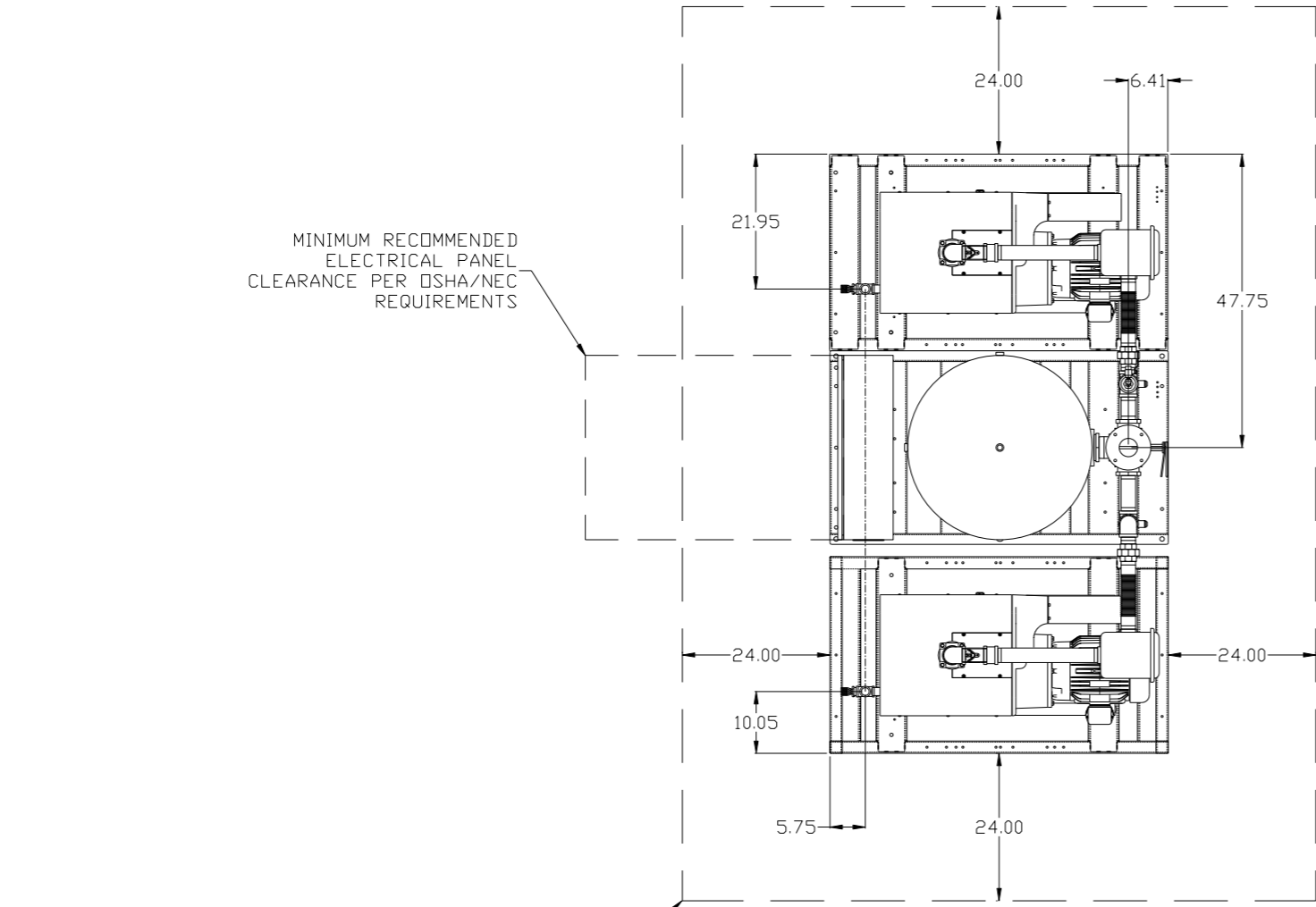
8 7 6 5 4 3 2 1

8 7 6 5 4 3 2 1

REV	ZONE	REVISION	DATE	ECN	NAME	CHKD
H-1	ALL	ADDED DSP LAYOUT	2/10/16	PXEC0139	AEK	GES
J-1	ALL	ADDED CENTER OF GRAVITY INFORMATION	2/10/16	PXEC0139	AEK	GES
		UPDATED TO PUMP WITH NEMA RATED MOTOR	8/15/16	PXEC0149	AEK	GES

MINIMUM RECOMMENDED ELECTRICAL PANEL CLEARANCE PER OSHA/NEC REQUIREMENTS

MINIMUM RECOMMENDED MAINTENANCE CLEARANCE



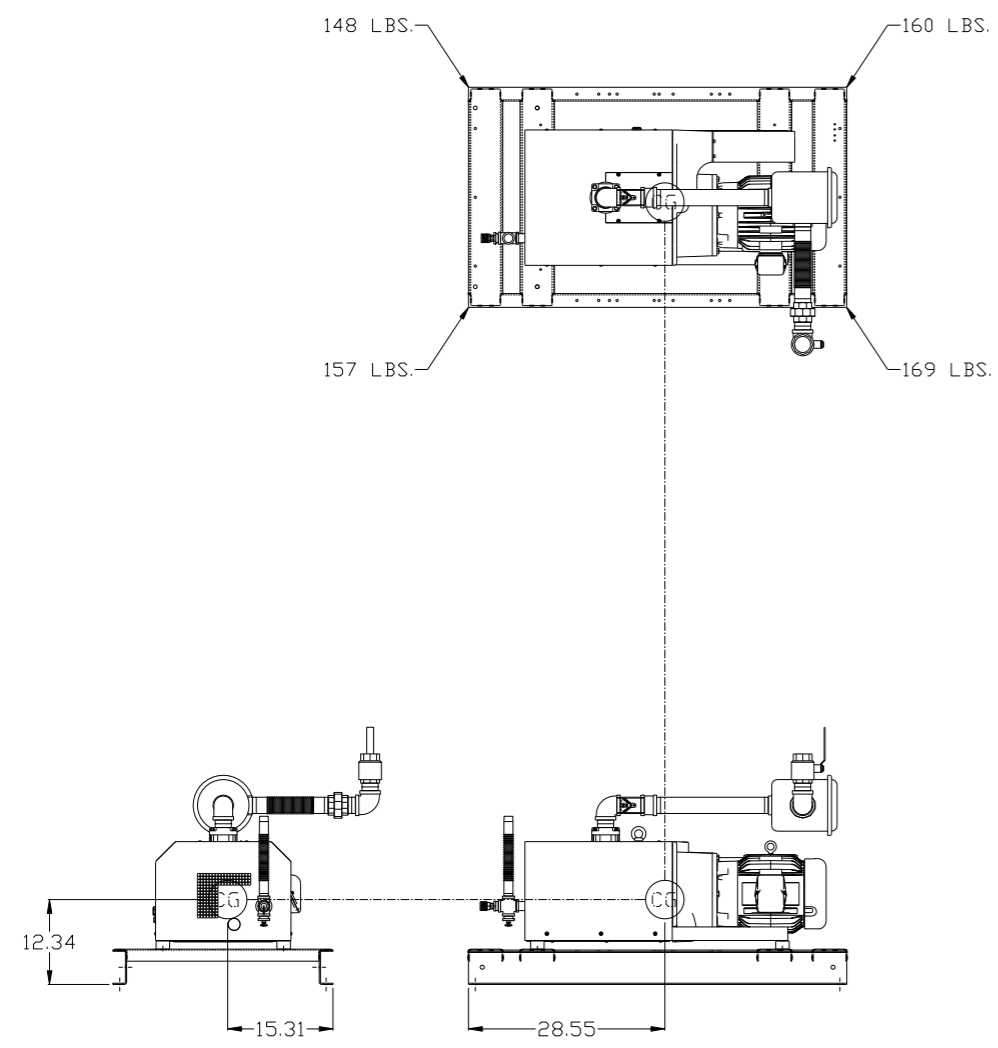
NOTE: SYSTEM DESIGNED IN COMPLIANCE WITH U.S. NFPA '99, LATEST EDITION.

SYMBOL LEGEND		DRAWINGS TO CONFORM TO THE CURRENT REVISION OF THE FOLLOWING ANSI STANDARDS	
⊖ = MINUS DRAFT	⊕ = PLUS DRAFT	⊕ = ADDITIONAL CONTROL REQ'D	⊕ = BRINELL HARDNESS
TOLERANCES NOT SPECIFIED		DO NOT SCALE DRAWING FOR DIMENSIONS	
.XX ±	.XXX ±	Sheet 1 of 4	
< < DEG > ±		SCALE 1:14	
<p>CONFIDENTIAL DISCLOSURE: This drawing is the property of POWEREX, INC. or the SCOTT FELTZER COMPANY and subject to return on demand. Its contents are confidential and must not be copied or submitted to outside parties for use or examination.</p>			
MATERIAL		DRAWN BY	
N/A		AEK	
PART NAME		CHECKED BY	
7.5HP CLAW VACUUM		GES	
200GAL. TRIPLEX		APPROVED BY ENGINEERING MFG/MRKTG	
		KMD JJ	
		2/10/16 2/10/16 2/10/16 2/10/16	
DWG NO		SIZE	
CVPT0755A		D	

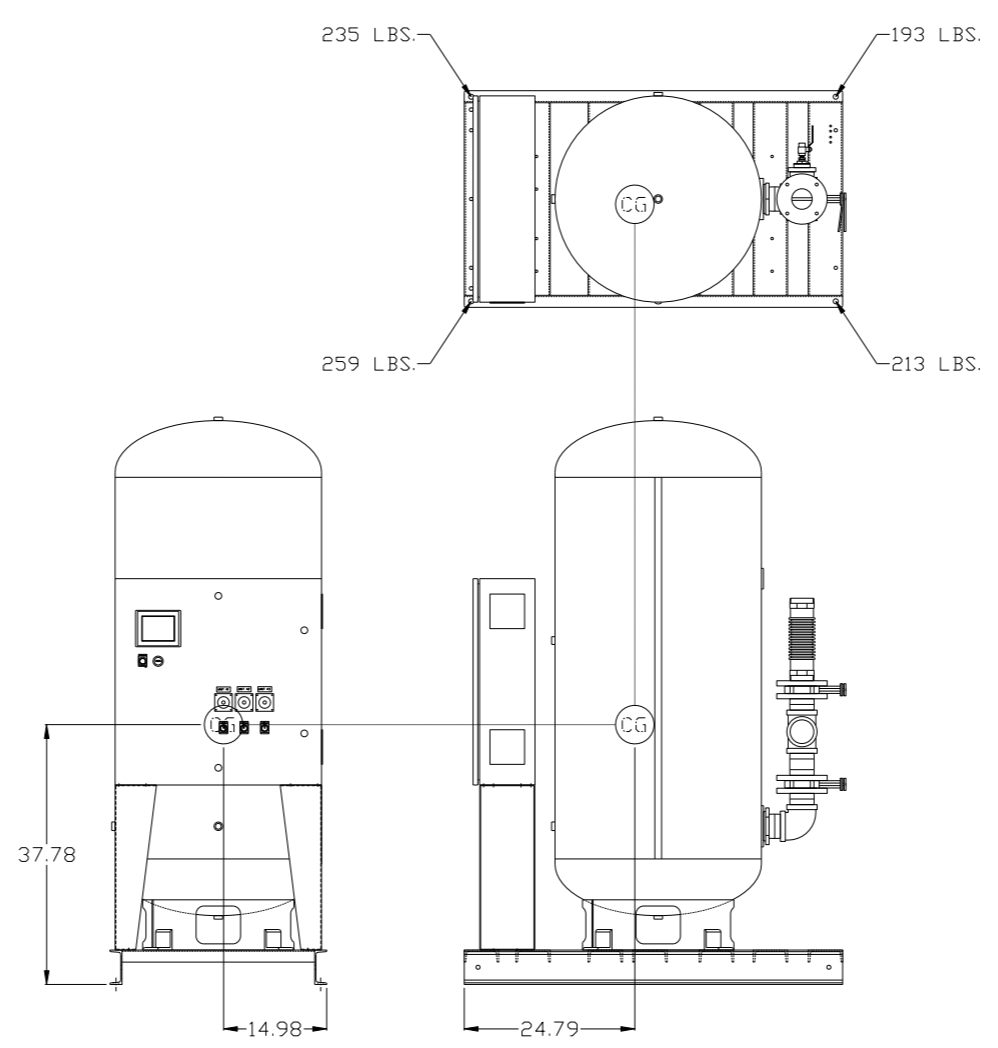
DSP LISTED LAYOUT

8 7 6 5 4 3 2 1

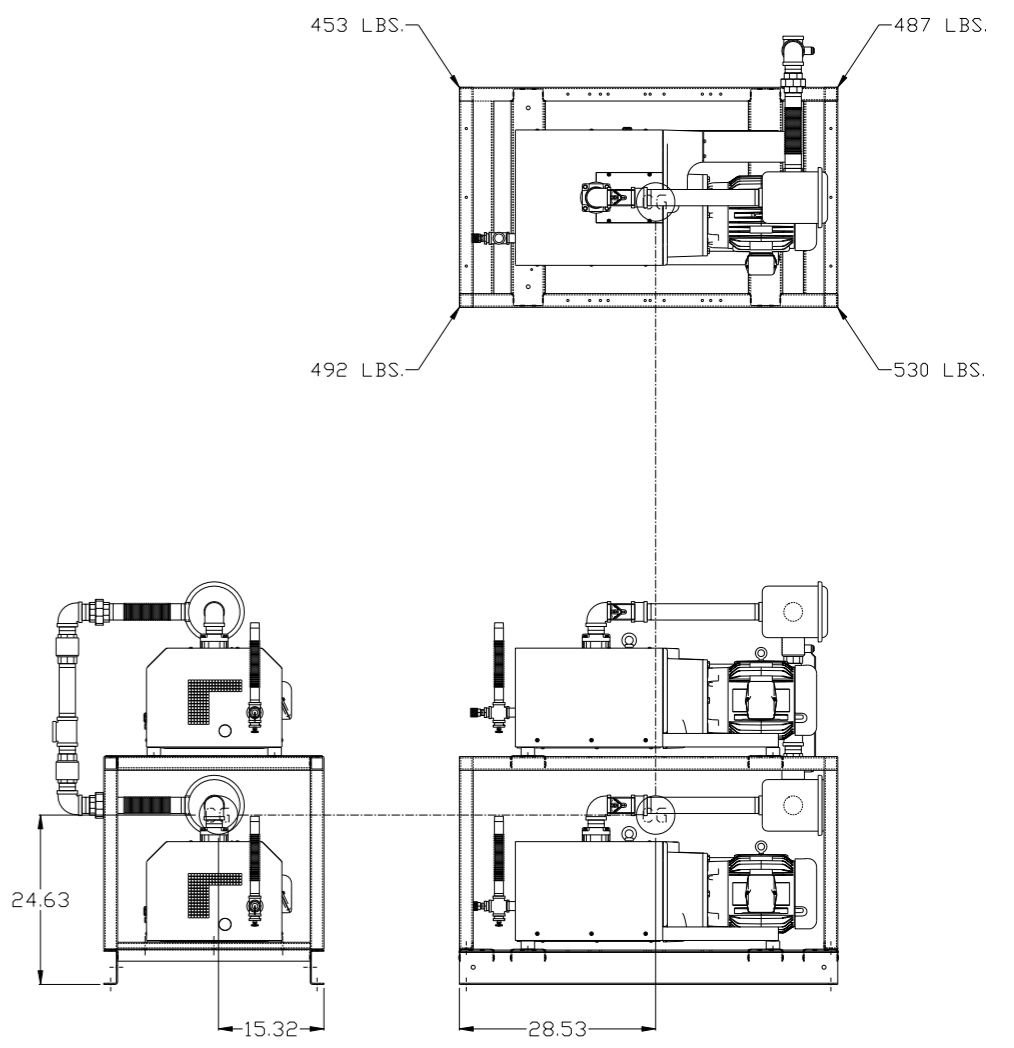
REV	ZONE	REVISION	DATE	ECN	NAME	CHKD
H-1	ALL	ADDED DSP LAYOUT	2/10/16	PXEC0139	AEK	GES
J-1	ALL	ADDED CENTER OF GRAVITY INFORMATION	2/10/16	PXEC0139	AEK	GES
J-1	ALL	UPDATED TO PUMP WITH NEMA RATED MOTOR	8/15/16	PXEC0149	AEK	GES



PUMP SKID #2:
 TOTAL WEIGHT: 634 LBS
 C.D.G. DIMENSIONS
 X (FRONT): -15.31"
 Y (RIGHT): 28.55"
 Z (HEIGHT): 12.34"



PANEL/TANK SKID:
 TOTAL WEIGHT: 900 LBS
 C.D.G. DIMENSIONS
 X (FRONT): -14.98"
 Y (RIGHT): 24.79"
 Z (HEIGHT): 37.78"



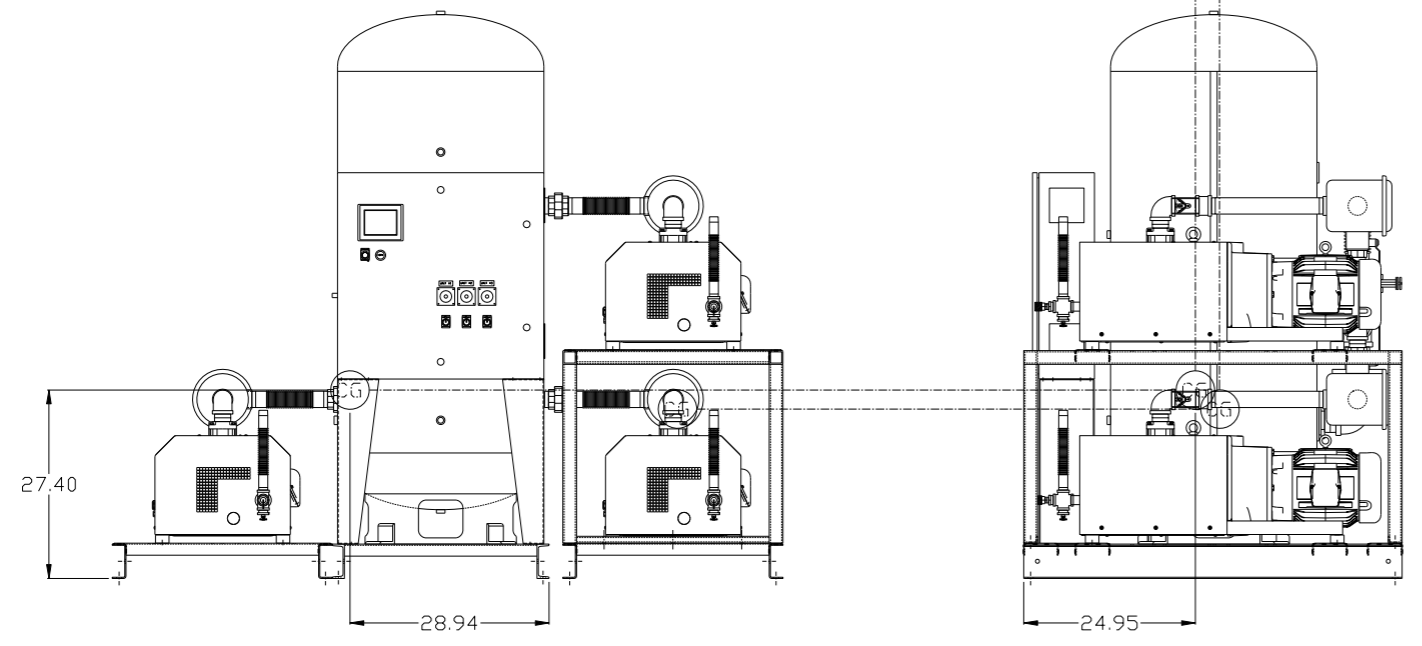
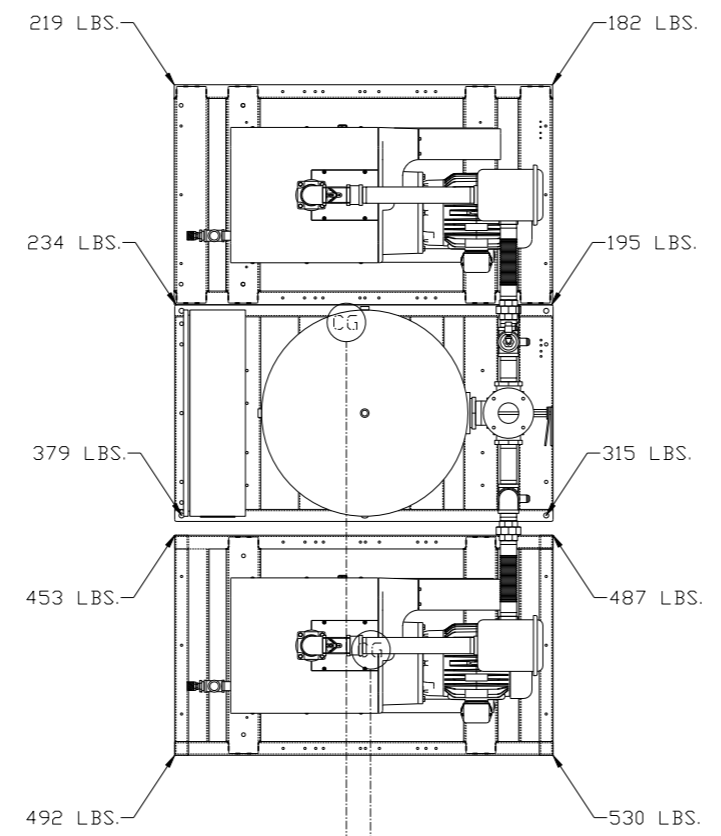
PUMP SKID #1:
 TOTAL WEIGHT: 1298 LBS
 C.D.G. DIMENSIONS
 X (FRONT): -15.32"
 Y (RIGHT): 28.53"
 Z (HEIGHT): 24.63"

denotes center of gravity (CG)

SYMBOL LEGEND ⊖ = MINUS DRAFT ⊕ = PLUS DRAFT HRC = BRINELL HARDNESS		= ADDITIONAL CONTROL REQ'D = TOLERANCES NOT SPECIFIED		Drawings to conform to the current revision of the following ANSI standards: Y14.3 Multi and sectional view dgs. Y14.5M Dimensioning and tolerancing	
TOLERANCES NOT SPECIFIED .XX ± .XXX ± \angle (DEG) ±		AUTOCAD REL2008 LT INCH		DO NOT SCALE DRAWING FOR DIMENSIONS Sheet 3 of 4 SCALE 1:14	
CONFIDENTIAL DISCLOSURE This drawing is the property of POWEREX, INC. of the SCOTT FETZER COMPANY and subject to return on demand. Its contents are confidential and must not be copied or submitted to outside parties for use or examination.					
DRAWN BY AEK		CHECKED BY GES		APPROVED BY ENGINEERING MFG/MRKTG KMD JJ	
DATE 2/10/16		DATE 2/10/16		DATE 2/10/16	
MATERIAL N/A		POWEREX 150 PRODUCTION DRIVE, HARRISON, OHIO 45030 Ph: 888-769-7979 FAX: (513) 367-3125		DWG NO CVPT0755A	
PART NAME 7.5HP CLAW VACUUM 200GAL. TRIPLEX		SIZE D		CVPT0755AB.dwg	

8 7 6 5 4 3 2 1

REV	ZONE	REVISION	DATE	ECN	NAME	CHKD
H-1	ALL	ADDED DSP LAYOUT	2/10/16	PXEC0139	AEK	GES
	ALL	ADDED CENTER OF GRAVITY INFORMATION				
J-1	ALL	UPDATED TO PUMP WITH NEMA RATED MOTOR	8/15/16	PXEC0149	AEK	GES



denotes center of gravity (CG)

PUMP SKID #2 - PANEL/TANK SKID:

TOTAL WEIGHT: 1524 LBS
 C.O.G. DIMENSIONS
 X (FRONT): -28.94"
 Y (RIGHT): 24.95"
 Z (HEIGHT): 27.40"

SYMBOL LEGEND		= ADDITIONAL CONTROL REQ'D		Drawings to conform to the current revision of the following ANSI standards:	
⊖	MINUS DRAFT	⊕	PLUS DRAFT	⊖	BRINELL HARDNESS
TOLERANCES NOT SPECIFIED		AUTOCAD REL2008 LT		DO NOT SCALE DRAWING FOR DIMENSIONS	
.XX ±		INCH		Sheet 4 of 4	SCALE 1:14
CONFIDENTIAL DISCLOSURE This drawing is the property of POWEREX, INC. of the SCOTT FETZER COMPANY and subject to return on demand. Its contents are confidential and must not be copied or submitted to outside parties for use or examination.		DRAWN BY AEK	CHECKED BY GES	APPROVED BY ENGINEERING KMD	MFG/MKTG JJ
MATERIAL N/A		2/10/16	2/10/16	2/10/16	2/10/16
PART NAME 7.5HP CLAW VACUUM 200GAL. TRIPLEX				SIZE CVPT0755A	

8 7 6 5 4 3 2 1