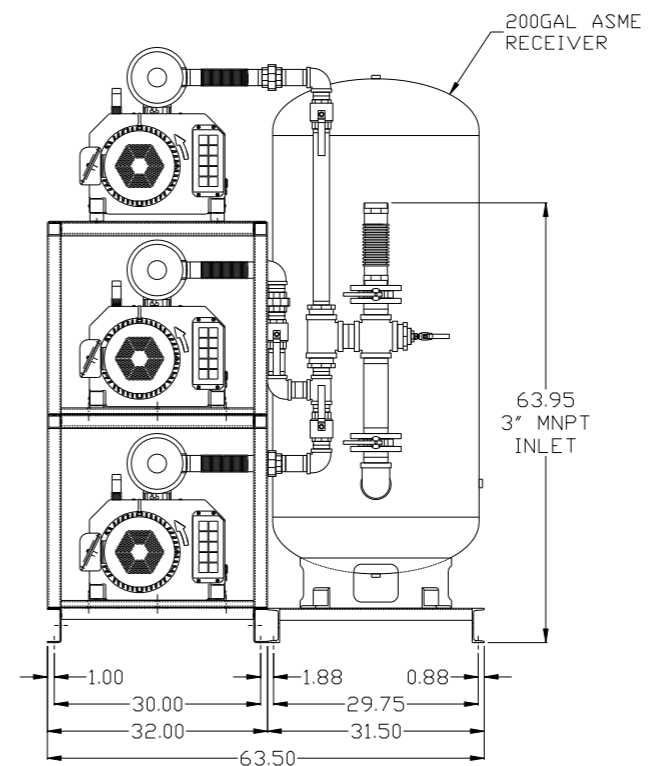
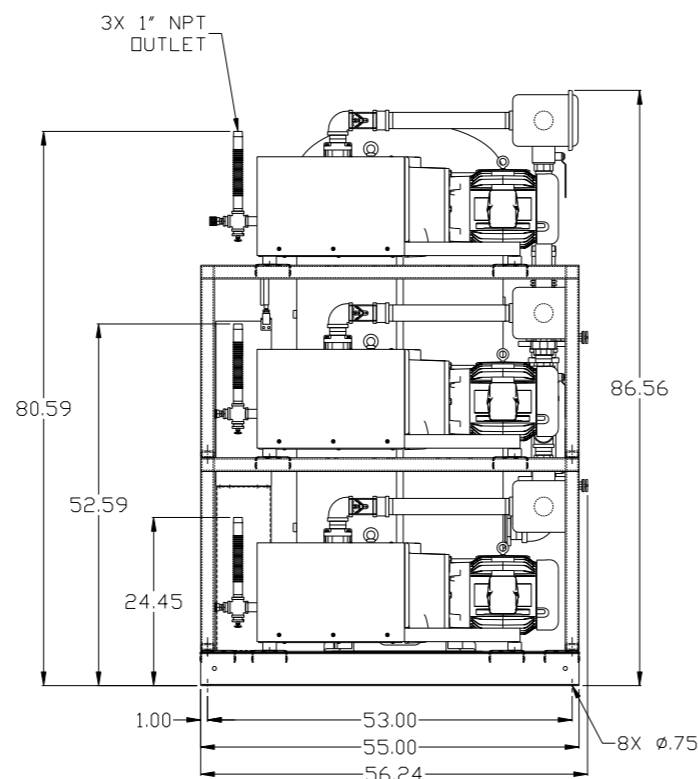
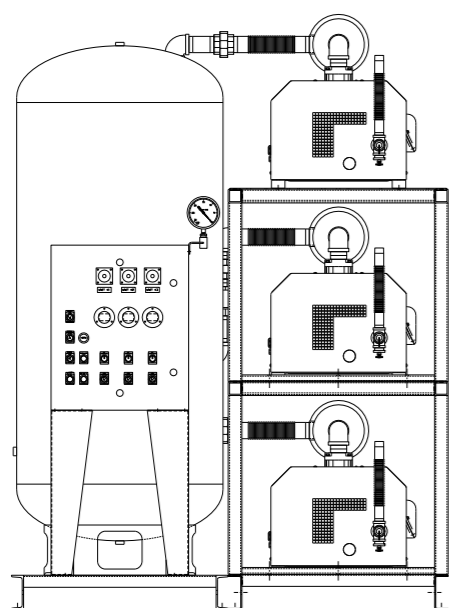


REV	ZONE	REVISION	DATE	ECN	NAME	CHKD
B-1	ALL	RELEASE TO PRODUCTION	2/28/08	21881	AEK	GES
B-2	ALL	ADDED PIPE SIZE TO FLOW SCHEMATIC CORRECTED PLUMBING ON LAYOUT	3/28/08	21881	AEK	GES
B-3	ALL	REMOVED SIGHT GAUGE FROM FLOW MOVED ALL PUMPS TO RIGHT SIDE OF PANEL/ TANK SKID	4/18/08	21881	AEK	GES
C-1	1 ALL	UPDATED TO CORRECT TANK SKID FRAME	8/20/09	22127	AEK	DMS
C-2	1 ALL	REMOVED VACUUM SWITCHES FROM CONTROL PANEL	11/17/09	22127	AEK	GES
D-1	3, 4 ALL	ADDED SHEET 3 & 4	6/3/10	22348	AEK	DMS
E-1	ALL	CHANGED 3" BV/UNION TO BUTTERFLY VALVES	8/19/13	PXEC0030	AEK	GES
F-1	ALL	ADDED P&MI SHEETS MADE HIGH TEMP STANDARD ON BASIC CONTROLS	4/23/14	PXEC0067	AEK	GES
G-1	ALL	UPDATED TO PUMP WITH NEMA RATED MOTOR ADDED DSP LAYOUT SHEETS	8/17/16	PXEC0139	AEK	GES

MINIMUM RECOMMENDED
ELECTRICAL PANEL
CLEARANCE PER OSHA/NEC
REQUIREMENTS

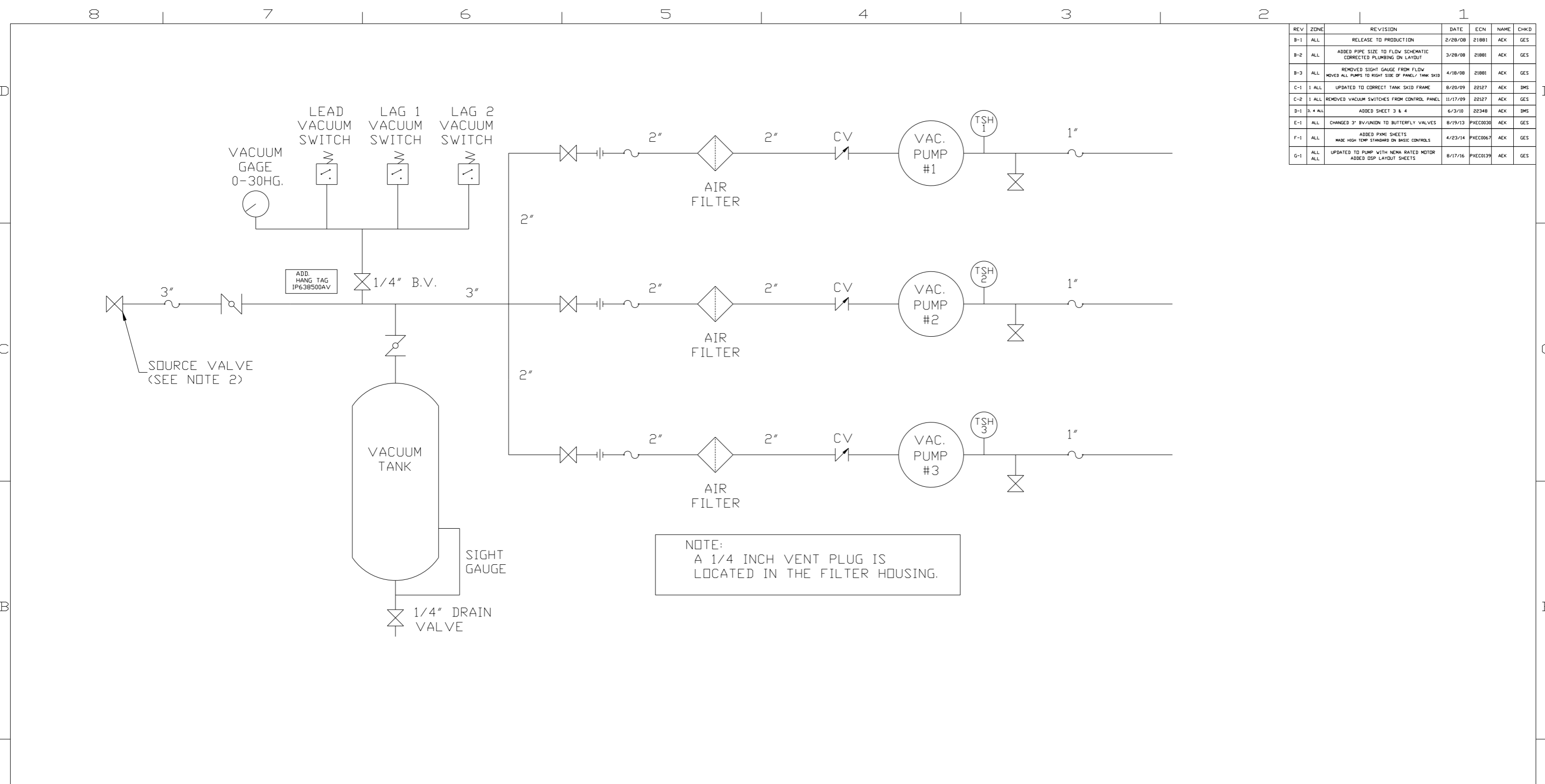
MINIMUM RECOMMENDED
MAINTENANCE
CLEARANCE



NOTE: SYSTEM DESIGNED IN
COMPLIANCE WITH U.S. NFPA '99,
LATEST EDITION.

SYMBOL LEGEND ⊖ = MINUS DRAFT ⊕ = PLUS DRAFT ⊕ = ADDITIONAL CONTROL REQ'D ⊕ = BRINELL HARDNESS		Drawings to conform to the current revision of the following ANSI standards: Y14.3 Multi and sectional view dgs. Y14.5M Dimensioning and tolerancing	
TOLERANCES NOT SPECIFIED .XX ± .XXX ± <<DEG> ±		AUTOCAD REL2008 LT INCH DO NOT SCALE DRAWING FOR DIMENSIONS Sheet 1 of 4 SCALE 1:14	
CONFIDENTIAL DISCLOSURE This drawing is the property of POWEREX, INC. of the SCOTT FEITZER COMPANY and subject to return on demand. Its contents are confidential and must not be copied or submitted to outside parties for use or examination.			
DRAWN BY AEK		CHECKED BY GES	
APPROVED BY DMS		APPROVED BY RJR	
DATE 2/28/08		DATE 2/28/08	
DATE 2/28/08		DATE 2/28/08	
MATERIAL N/A		POWEREX 150 PRODUCTION DRIVE, HARRISON, OHIO 45030 Ph: 888-769-7979 FAX: (513) 367-3125	
PART NAME 7.5HP CLAW VACUUM 200GAL TRIPLEX		DWG NO CVPT0755B SIZE D	

REV	ZONE	REVISION	DATE	ECN	NAME	CHKD
B-1	ALL	RELEASE TO PRODUCTION	2/28/08	21881	AEK	GES
B-2	ALL	ADDED PIPE SIZE TO FLOW SCHEMATIC CORRECTED PLUMBING ON LAYOUT	3/28/08	21881	AEK	GES
B-3	ALL	REMOVED SIGHT GAUGE FROM FLOW MOVED ALL PUMPS TO RIGHT SIDE OF PANEL/ TANK SKID	4/18/08	21881	AEK	GES
C-1	1 ALL	UPDATED TO CORRECT TANK SKID FRAME	8/20/09	22127	AEK	DMS
C-2	1 ALL	REMOVED VACUUM SWITCHES FROM CONTROL PANEL	11/17/09	22127	AEK	GES
D-1	3, 4 ALL	ADDED SHEET 3 & 4	6/3/10	22348	AEK	DMS
E-1	ALL	CHANGED 3" BV/UNION TO BUTTERFLY VALVES	8/19/13	PXEC0030	AEK	GES
F-1	ALL	ADDED PKMI SHEETS MADE HIGH TEMP STANDARD ON BASIC CONTROLS	4/23/14	PXEC0067	AEK	GES
G-1	ALL	UPDATED TO PUMP WITH NEMA RATED MOTOR ADDED DSP LAYOUT SHEETS	8/17/16	PXEC0139	AEK	GES



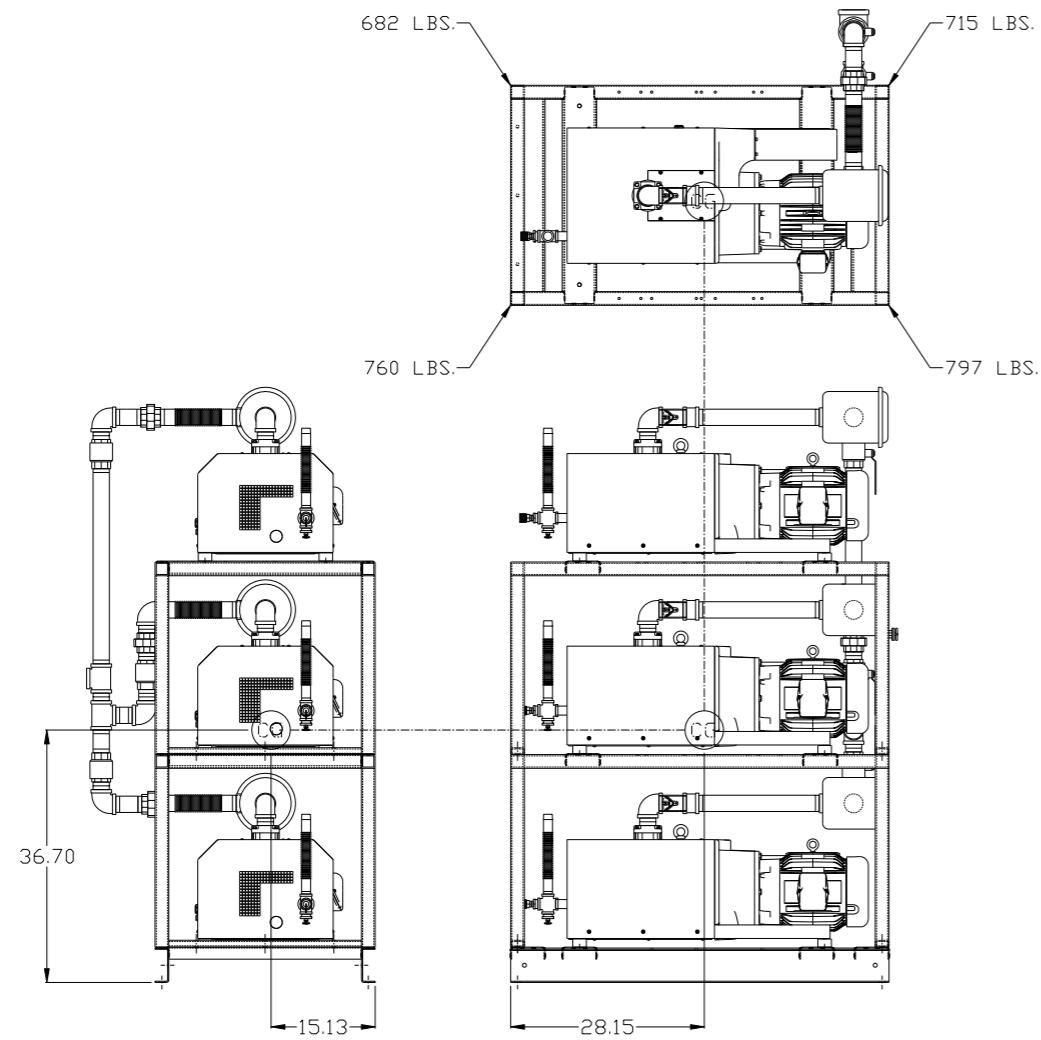
NOTE:
A 1/4 INCH VENT PLUG IS
LOCATED IN THE FILTER HOUSING.

NOTES:
1) TSH - TEMPERATURE SWITCH HIGH
2) PER NFPA THE SYSTEM WILL REQUIRE A SOURCE VALVE (SUPPLIED BY OTHERS).

LEGEND	
TEMP. SWITCH	VACUUM SWITCH
AIR FILTER	CHECK VALVE
BALL VALVE	FLEX LINE
BUTTERFLY VALVE	UNION

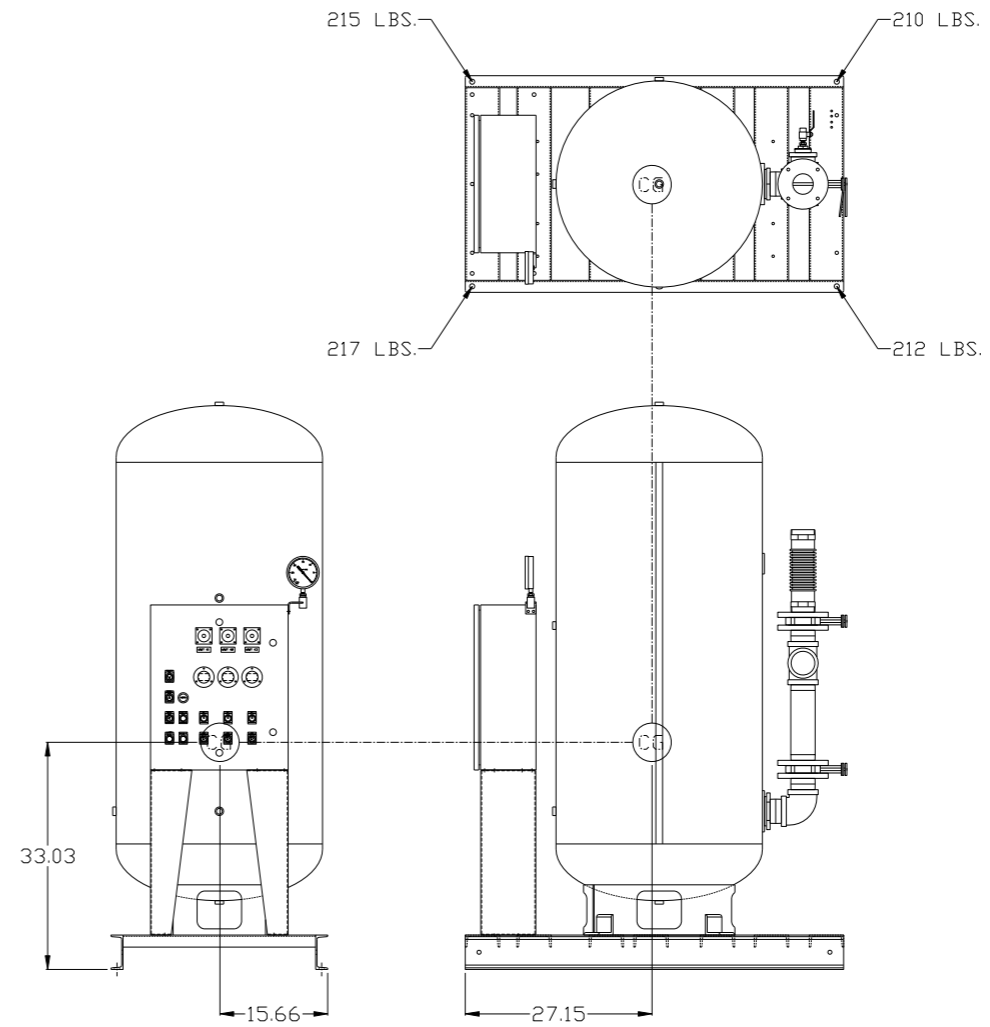
SYMBOL LEGEND		= ADDITIONAL CONTROL REQ'D	Drawings to conform to the current revision of the following ANSI standards:
= MINUS DRAFT	= PLUS DRAFT	= BRINELL HARDNESS	Y14.3 Multi and sectional view dgs. Y14.5M Dimensioning and tolerancing
TOLERANCES NOT SPECIFIED	AUTOCAD REL2008 LT	DO NOT SCALE DRAWING FOR DIMENSIONS	
.XX ±	INCH	Sheet 2 of 4	SCALE 1: 14
CONFIDENTIAL DISCLOSURE This drawing is the property of POWEREX, INC. of the SCOTT FELTZER COMPANY and subject to return on demand. Its contents are confidential and must not be copied or submitted to outside parties for use or examination.			
DRAWN BY	CHECKED BY	APPROVED BY	ENGINEERING MFG/MRKTG
AEK	GES	DMS	RJR
2/28/08	2/28/08	2/28/08	2/28/08
MATERIAL N/A			
PART NAME TRIPLEX CLAW VAC PKG		150 PRODUCTION DRIVE, HARRISON, OHIO 45030 Ph 888-769-7979 FAX (513) 367-3125	
FLOW SCHEMATIC		DWG NO CVPT0755B	SIZE D

REV	ZONE	REVISION	DATE	ECN	NAME	CHKD
D-1	D, 4 ALL	ADDED SHEET 3 & 4	6/3/10	22348	AEK	GES
E-1	ALL	CHANGED 3" BV/UNION TO BUTTERFLY VALVES	8/19/13	PXEC0030	AEK	GES
F-1	ALL	ADDED P&ID SHEETS MADE HIGH TEMP STANDS ON BASIC CONTROLS	4/23/14	PXEC0067	AEK	GES
G-1	ALL	UPDATED TO PUMP WITH NEMA RATED MOTOR ADDED DSP LAYOUT SHEETS	8/17/16	PXEC0139	AEK	GES



PUMP SKID:

TOTAL WEIGHT: 2954 LBS
 C.O.G. DIMENSIONS
 X (FRONT): -15.13"
 Y (RIGHT): 28.15"
 Z (HEIGHT): 36.70"

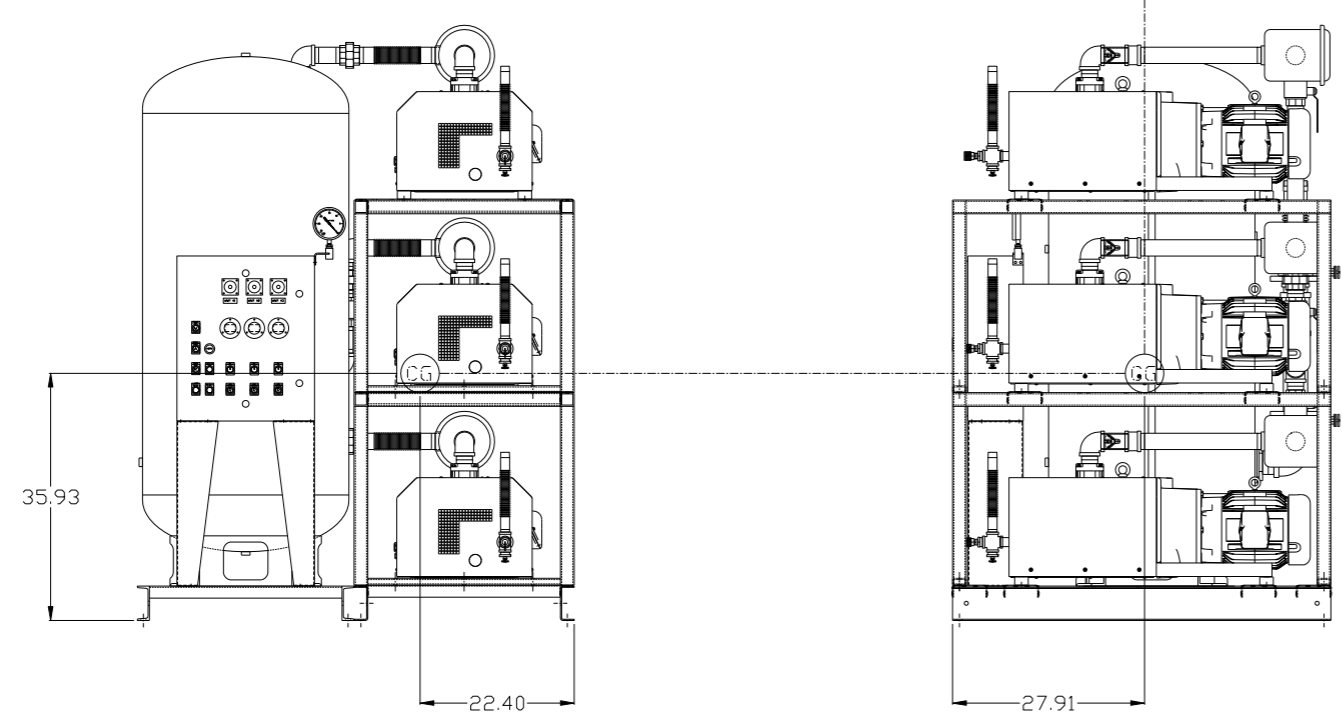
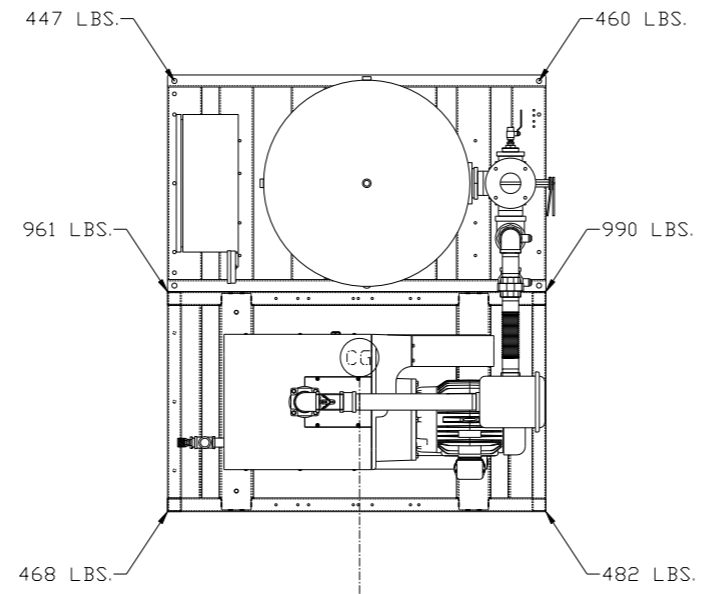


PANEL/TANK SKID:

TOTAL WEIGHT: 854 LBS
 C.O.G. DIMENSIONS
 X (FRONT): -15.66"
 Y (RIGHT): 27.15"
 Z (HEIGHT): 33.03"

SYMBOL LEGEND ⊖ = MINUS DRAFT ⊕ = PLUS DRAFT ⊕ = ADDITIONAL CONTROL REQ'D HRC = BRINELL HARDNESS		Drawings to conform to the current revision of the following ANSI standards: Y14.3 Multi and sectional view dgs. Y14.5M Dimensioning and tolerancing	
TOLERANCES NOT SPECIFIED .XX ± .XXX ± <<DEG> ±		AUTOCAD REL2008 LT INCH DO NOT SCALE DRAWING FOR DIMENSIONS Sheet 3 of 4 SCALE 1:14	
CONFIDENTIAL DISCLOSURE This drawing is the property of POWEREX, INC. of the SCOTT FETZER COMPANY and subject to return on demand. Its contents are confidential and must not be copied or submitted to outside parties for use or examination.			
DRAWN BY AEK		CHECKED BY GES	
6/3/10		APPROVED BY ENGINEERING MFG/MKTG DMS RJR 6/3/10 6/3/10	
MATERIAL N/A		POWEREX 150 PRODUCTION DRIVE, HARRISON, OHIO 45030 Ph: 888-769-7979 FAX: (513) 367-3125	
PART NAME 7.5HP CLAW VACUUM 200GAL TRIPLEX		DWG NO CVPT0755B SIZE D	

REV	ZONE	REVISION	DATE	ECN	NAME	CHKD
D-1	D, 4 ALL	ADDED SHEET 3 & 4	6/3/10	22348	AEK	GES
E-1	ALL	CHANGED 3" BV/UNION TO BUTTERFLY VALVES	8/19/13	PXEC0030	AEK	GES
F-1	ALL	ADDED P&ID SHEETS MADE HIGH TEMP STANDS ON BASIC CONTROLS	4/23/14	PXEC0067	AEK	GES
G-1	ALL	UPDATED TO PUMP WITH NEMA RATED MOTOR ADDED DSP LAYOUT SHEETS	8/17/16	PXEC0139	AEK	GES



denotes center of gravity (CG)

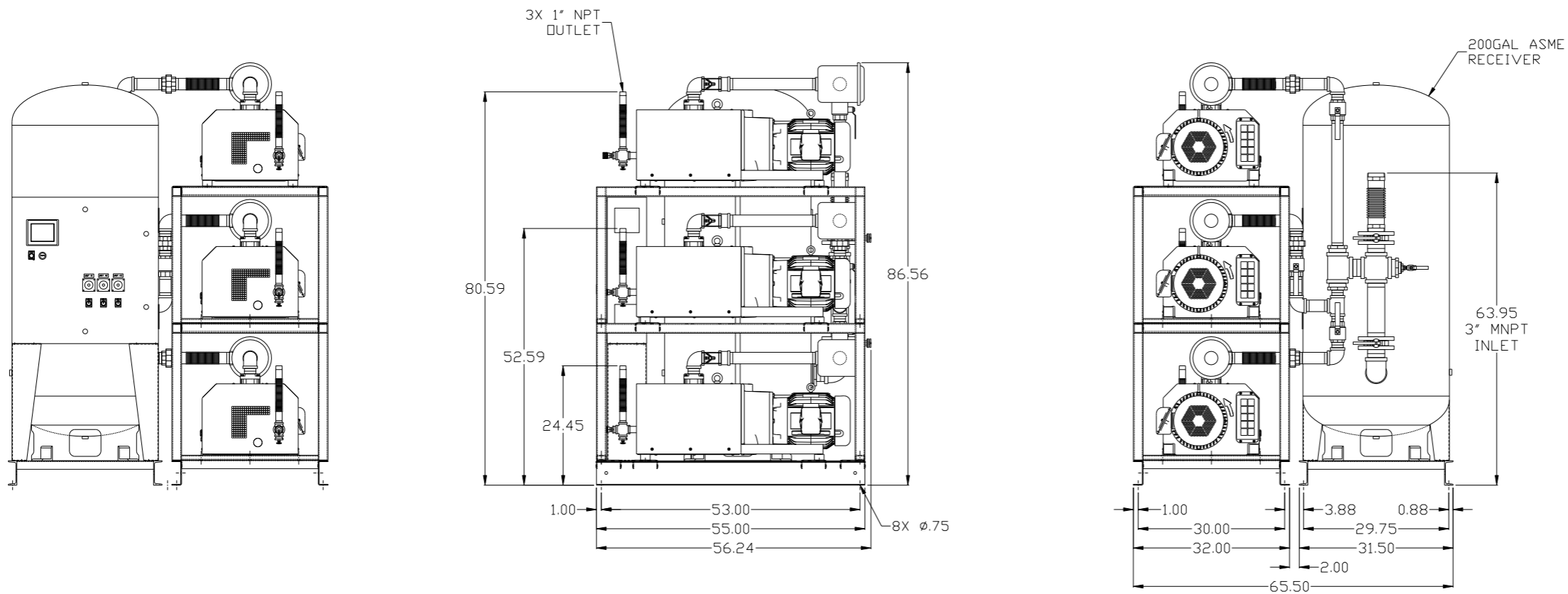
VACUUM SYSTEM:
 TOTAL WEIGHT: 3808 LBS
 C.O.G. DIMENSIONS
 X (FRONT): -22.40"
 Y (RIGHT): 27.91"
 Z (HEIGHT): 35.93"

SYMBOL LEGEND ⊖ = MINUS DRAFT ⊕ = PLUS DRAFT ∅ = ADDITIONAL CONTROL REQ'D HRC = BRINELL HARDNESS		Drawings to conform to the current revision of the following ANSI standards: Y14.3 Multi and sectional view dgs. Y14.5M Dimensioning and tolerancing	
TOLERANCES NOT SPECIFIED .XX ± .XXX ± <DEG> ±		AUTOCAD REL2008 LT INCH DO NOT SCALE DRAWING FOR DIMENSIONS Sheet 4 of 4 SCALE 1:14	
CONFIDENTIAL DISCLOSURE This drawing is the property of POWEREX, INC. OF THE SCOTT FETZER COMPANY and subject to return on demand. Its contents are confidential and must not be copied or submitted to outside parties for use or examination.			
DRAWN BY AEK		CHECKED BY GES	
APPROVED BY DMS		ENGINEERING MFG/MKTG RJR	
MATERIAL N/A		POWEREX 150 PRODUCTION DRIVE, HARRISON, OHIO 45030 Ph: 888-769-7979 FAX: (513) 367-3125	
PART NAME 7.5HP CLAW VACUUM 200GAL TRIPLEX		DWG NO CVPT0755B SIZE D	

REV	ZONE	REVISION	DATE	ECN	NAME	CHKD
F-1	ALL	ADDED P&MI SHEETS MADE HIGH TEMP STANDARD ON BASIC CONTROLS	4/23/14	PXEC0067	AEK	GES
G-1	ALL	UPDATED TO PUMP WITH NEMA RATED MOTOR ADDED DSP LAYOUT SHEETS	8/17/16	PXEC0139	AEK	GES

MINIMUM RECOMMENDED
ELECTRICAL PANEL
CLEARANCE PER OSHA/NEC
REQUIREMENTS

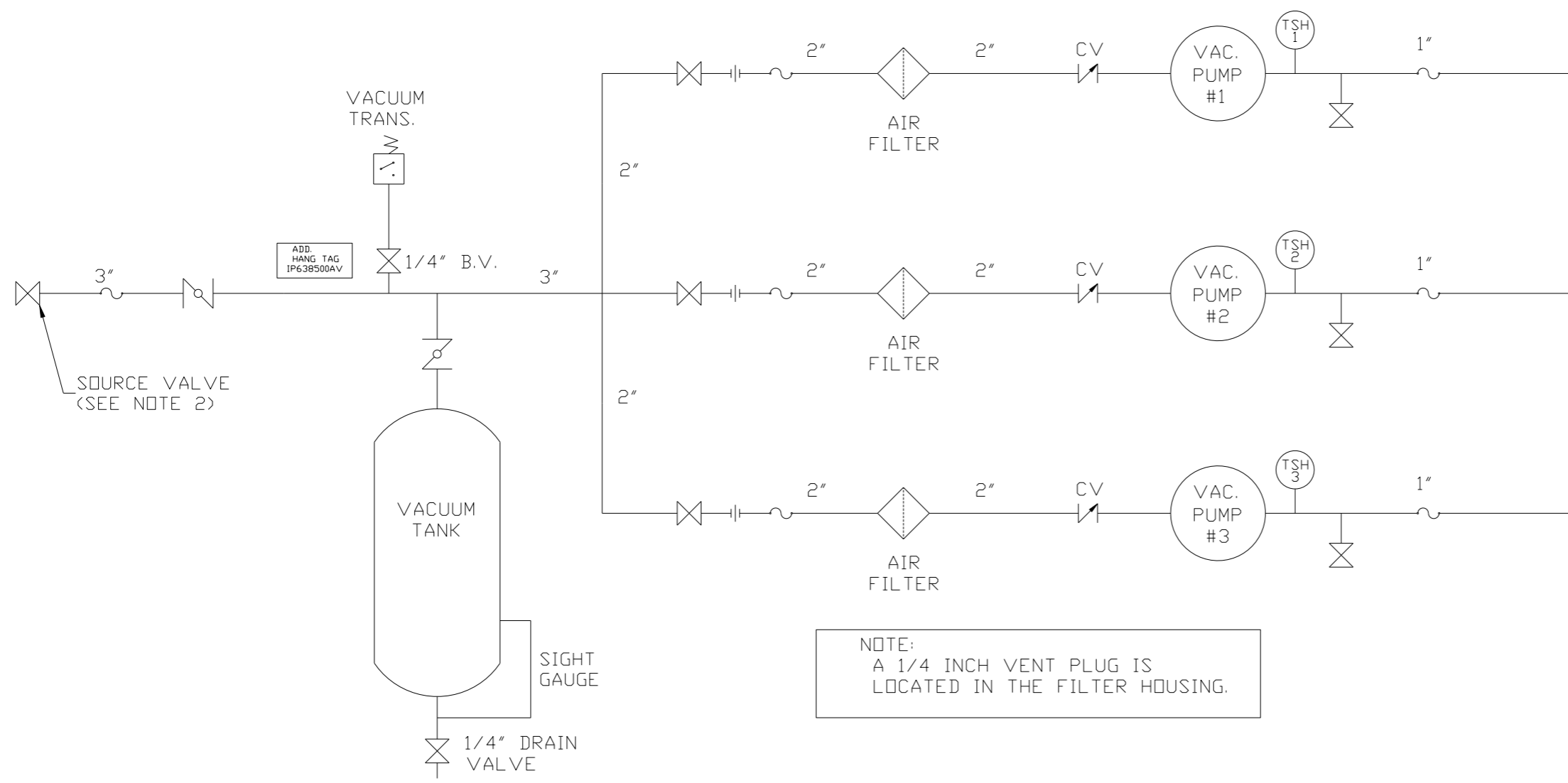
MINIMUM RECOMMENDED
MAINTENANCE CLEARANCE



NOTE: SYSTEM DESIGNED IN
COMPLIANCE WITH U.S. NFPA '99,
LATEST EDITION.

SYMBOL LEGEND		= ADDITIONAL CONTROL REQ'D		Drawings to conform to the current revision of the following ANSI standards	
⊖	MINUS DRAFT	⊕	PLUS DRAFT	Y14.3	Multi and sectional view dsgs.
⊖	MINUS DRAFT	⊕	PLUS DRAFT	Y14.5M	Dimensioning and tolerancing
TOLERANCES NOT SPECIFIED		AUTOCAD REL2014 LT		DO NOT SCALE DRAWING FOR DIMENSIONS	
.XX	±	INCH		Sheet 1 of 3	SCALE 1:14
.XXX	±				
<<DEG>>	±				
CONFIDENTIAL DISCLOSURE					
This drawing is the property of POWEREX, INC. of the SCOTT FEITZER COMPANY and subject to return on demand. Its contents are confidential and must not be copied or submitted to outside parties for use or examination.					
DRAWN BY		CHECKED BY		APPROVED BY	
AEK		GES		DMS DFG	
4/23/14		4/23/14		4/23/14 4/23/14	
MATERIAL N/A					
PART NAME					
7.5HP CLAW VACUUM					
200GAL TRIPLEX					
DWG NO				SIZE	
CVPT0755B				D	

REV	ZONE	REVISION	DATE	ECN	NAME	CHKD
F-1	ALL	ADDED P&MI SHEETS MADE HIGH TEMP STANDARD ON BASIC CONTROLS	4/23/14	PXEC0067	AEK	GES
G-1	ALL	UPDATED TO PUMP WITH NEMA RATED MOTOR ADDED DSP LAYOUT SHEETS	8/17/16	PXEC0139	AEK	GES



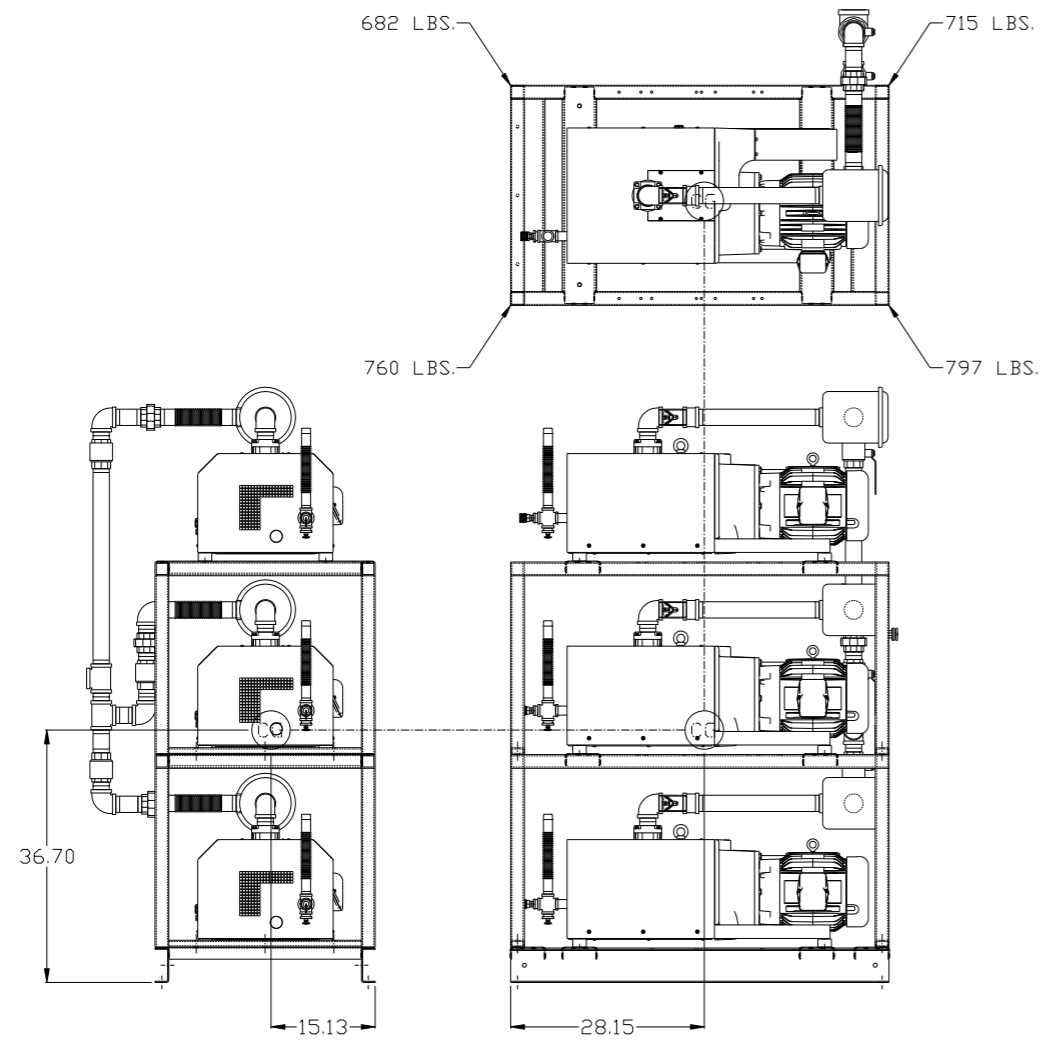
NOTE:
A 1/4 INCH VENT PLUG IS
LOCATED IN THE FILTER HOUSING.

LEGEND	
TEMP. SWITCH	VACUUM SWITCH
AIR FILTER	CHECK VALVE
BALL VALVE	FLEX LINE
BUTTERFLY VALVE	UNION

NOTES:
1) TSH - TEMPERATURE SWITCH HIGH
2) PER NFPA THE SYSTEM WILL REQUIRE A SOURCE VALVE (SUPPLIED BY OTHERS).

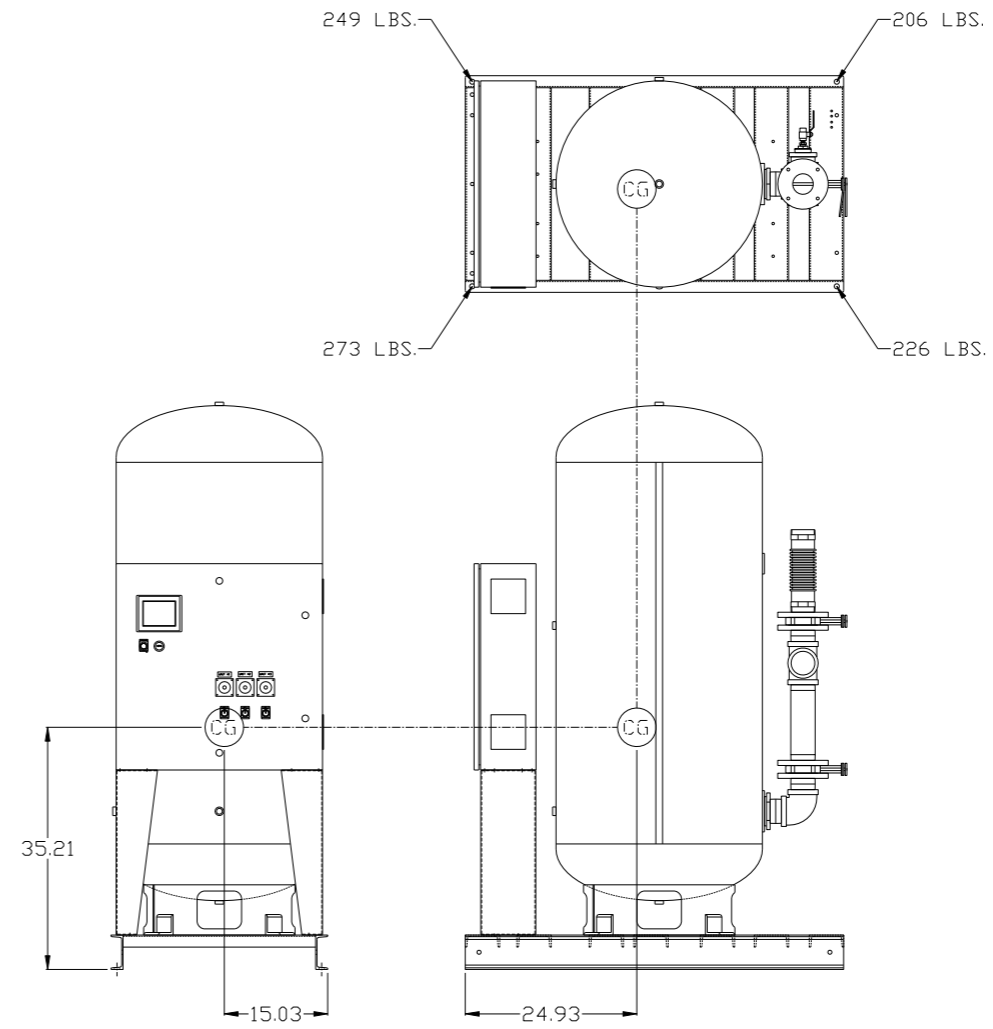
SYMBOL LEGEND		= ADDITIONAL CONTROL REQ'D	Drawings to conform to the current revision of the following ANSI standards:		
= MINUS DRAFT	= PLUS DRAFT	= BRINELL HARDNESS	Y14.3 Multi and sectional view dsgs. Y14.5M Dimensioning and tolerancing		
TOLERANCES NOT SPECIFIED	AUTOCAD REL20014 LT	DO NOT SCALE DRAWING FOR DIMENSIONS			
.XX ±	INCH	Sheet 2 of 3	SCALE 1: 14		
CONFIDENTIAL DISCLOSURE This drawing is the property of POWEREX, INC. of the SCOTT FETZER COMPANY and subject to return on demand. Its contents are confidential and must not be copied or submitted to outside parties for use or examination.		DRAWN BY AEK	CHECKED BY GES	APPROVED BY ENGINEERING DMS	MFG/MKTG DFG
MATERIAL N/A		4/23/14	4/23/14	4/23/14	4/23/14
PART NAME TRIPLEX CLAW VAC PKG FLOW SCHEMATIC				SIZE D	
		DWG NO CVPT0755B			

REV	ZONE	REVISION	DATE	ECN	NAME	CHKD
F-1	ALL	ADDED P&MI SHEETS MADE HIGH TEMP STANDARD ON BASIC CONTROLS	4/23/14	PXEC0067	AEK	GES
G-1	ALL	UPDATED TO PUMP WITH NEMA RATED MOTOR ADDED DSP LAYOUT SHEETS	8/17/16	PXEC0139	AEK	GES



PUMP SKID:

TOTAL WEIGHT: 2954 LBS
 C.O.G. DIMENSIONS
 X (FRONT): -15.13"
 Y (RIGHT): 28.15"
 Z (HEIGHT): 36.70"



PANEL/TANK SKID:

TOTAL WEIGHT: 954 LBS
 C.O.G. DIMENSIONS
 X (FRONT): -15.03"
 Y (RIGHT): 24.93"
 Z (HEIGHT): 35.21"

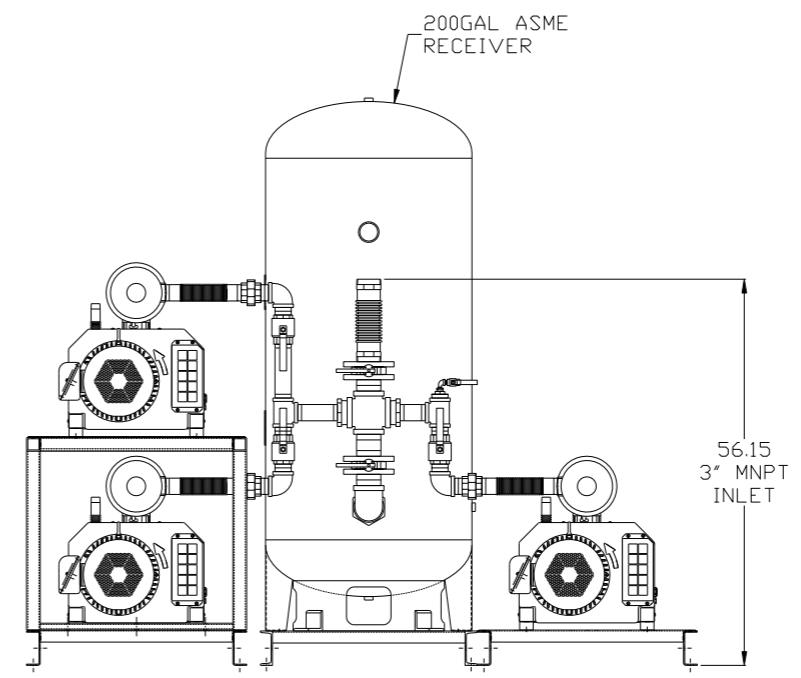
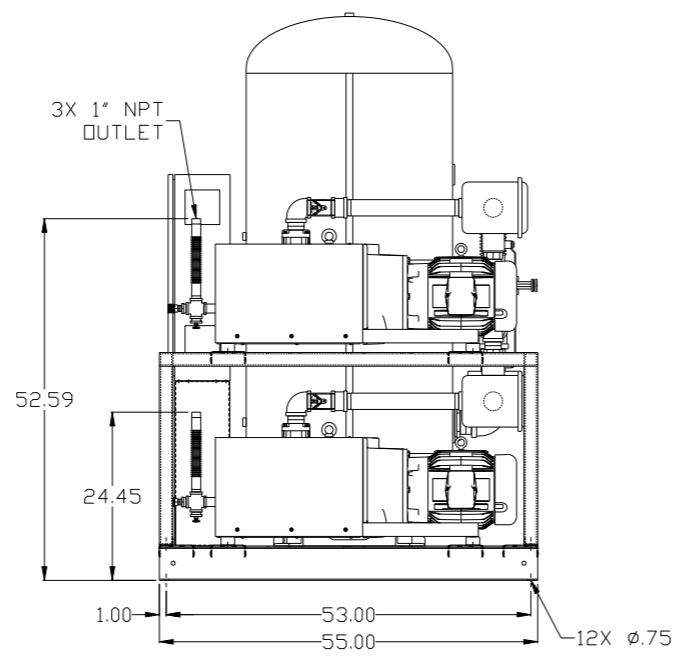
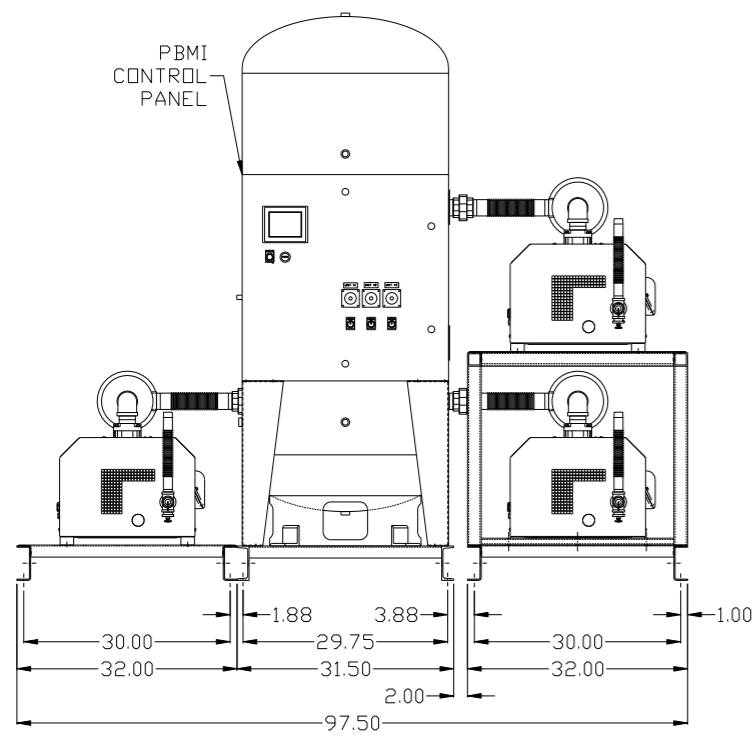
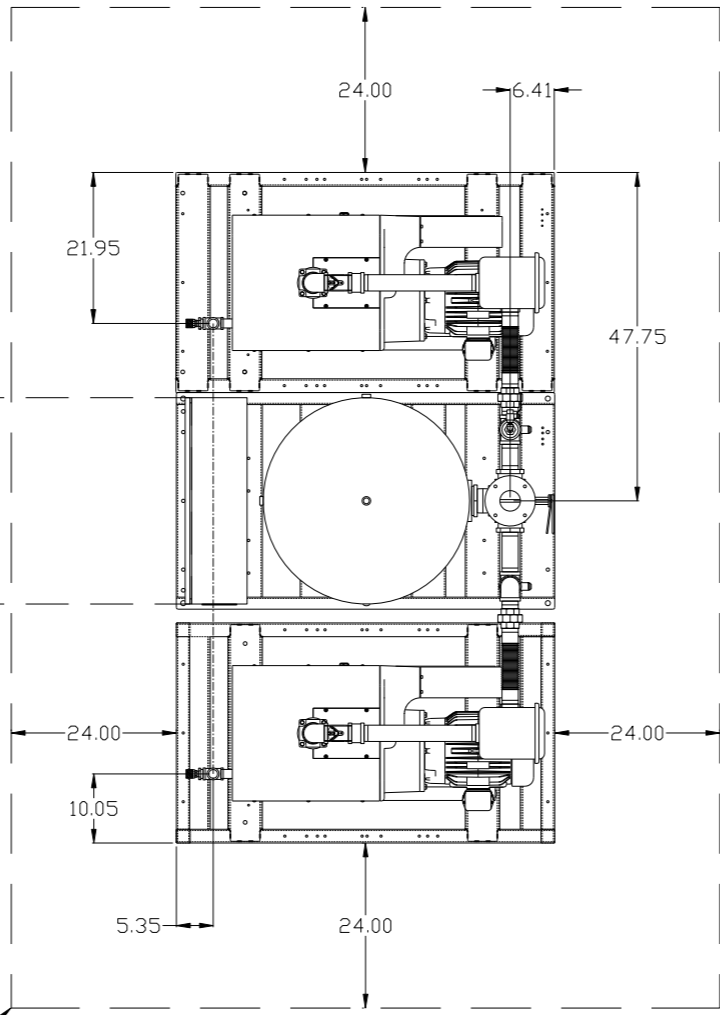
denotes center of gravity (CG)

SYMBOL LEGEND		= ADDITIONAL CONTROL REQ'D		Drawings to conform to the current revision of the following ANSI standards:	
⊖	MINUS DRAFT	⊕	PLUS DRAFT	⊖	BRINELL HARDNESS
TOLERANCES NOT SPECIFIED		AUTOCAD REL2014 LT		DO NOT SCALE DRAWING FOR DIMENSIONS	
.XX ±		INCH		Sheet 3 of 3	
.XXX ±				SCALE 1:14	
<<DEG>> ±					
CONFIDENTIAL DISCLOSURE This drawing is the property of POWEREX, INC. of the SCOTT FETZER COMPANY and subject to return on demand. Its contents are confidential and must not be copied or submitted to outside parties for use or examination.					
DRAWN BY		CHECKED BY		APPROVED BY	
AEK		GES		DMS DFG	
4/23/14		4/23/14		4/23/14 4/23/14	
MATERIAL		N/A		 150 PRODUCTION DRIVE, HARRISON, OHIO 45030 Ph: 888-769-7979 FAX: (513) 367-3125	
PART NAME		7.5HP CLAW VACUUM		SIZE	
		200GAL TRIPLEX		CVPT0755B	
DWG NO				D	

REV	ZONE	REVISION	DATE	ECN	NAME	CHKD
G-1	ALL	UPDATED TO PUMP WITH NEMA RATED MOTOR ADDED DSP LAYOUT SHEETS	8/17/16	PXEC0139	AEK	GES

MINIMUM RECOMMENDED
ELECTRICAL PANEL
CLEARANCE PER OSHA/NEC
REQUIREMENTS

MINIMUM RECOMMENDED
MAINTENANCE CLEARANCE

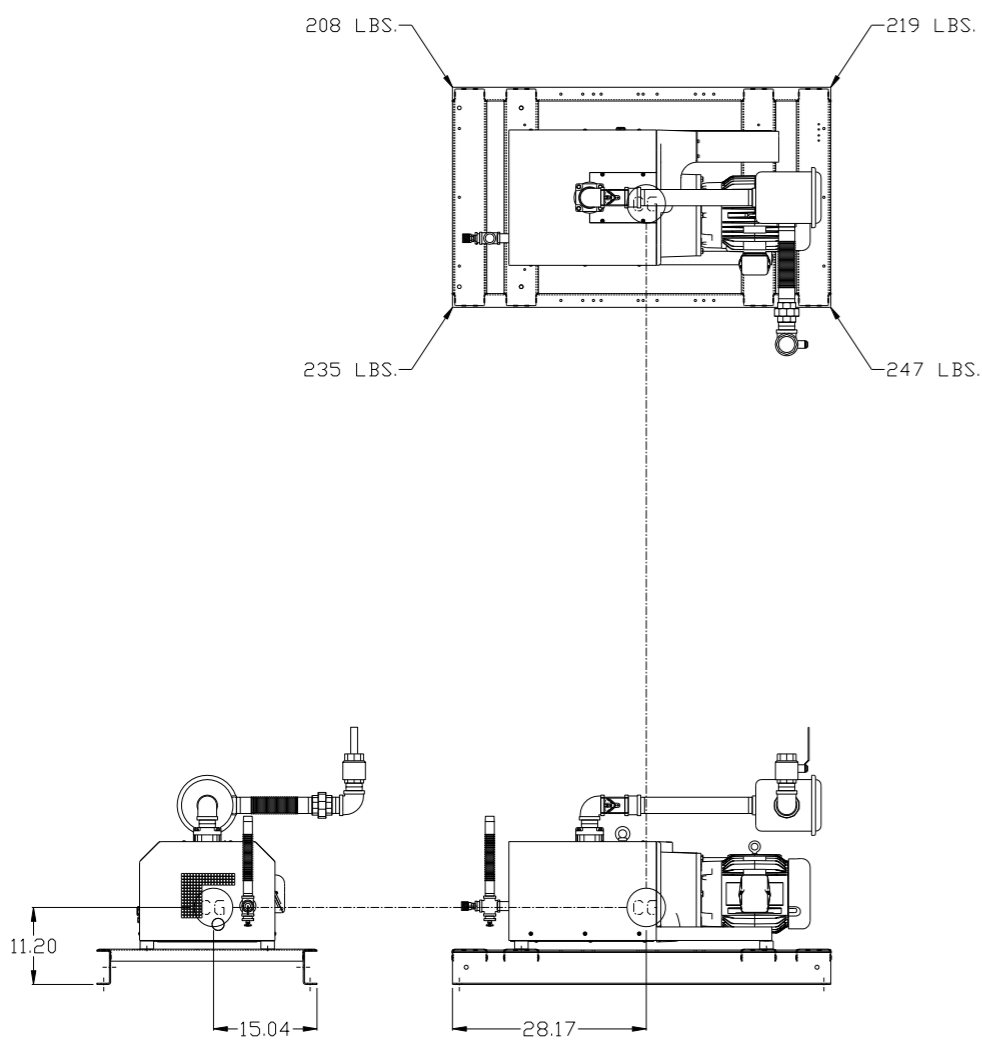


NOTE: SYSTEM DESIGNED IN
COMPLIANCE WITH U.S. NFPA '99,
LATEST EDITION.

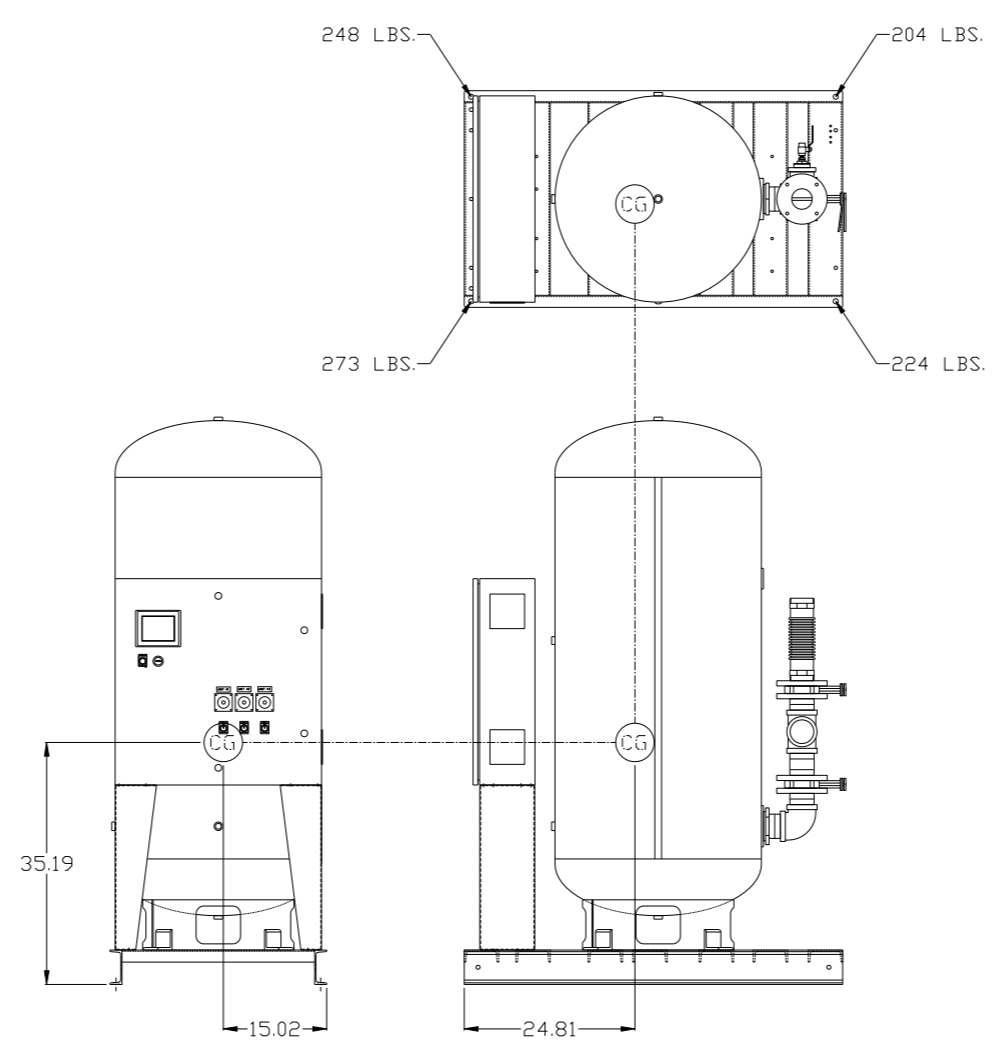
SYMBOL LEGEND ⊖ = MINUS DRAFT ⊕ = PLUS DRAFT \angle (DEG) ±		= ADDITIONAL CONTROL REQ'D = BRINELL HARDNESS		Drawings to conform to the current revision of the following ANSI standards: Y14.3 Multi and sectional view dgs. Y14.5M Dimensioning and tolerancing
TOLERANCES NOT SPECIFIED .XX ± .XXX ± \angle (DEG) ±		AUTOCAD REL2014 LT INCH		DO NOT SCALE DRAWING FOR DIMENSIONS Sheet 1 of 4 SCALE 1:14
CONFIDENTIAL DISCLOSURE This drawing is the property of POWEREX, INC. of the SCOTT FEITZER COMPANY and subject to return on demand. Its contents are confidential and must not be copied or submitted to outside parties for use or examination.				
DRAWN BY AEK		CHECKED BY GES		APPROVED BY ENGINEERING MFG/MKTG KMD RJR
MATERIAL N/A		8/17/16		8/17/16 8/17/16 8/17/16
PART NAME 7.5HP CLAW VACUUM 200GAL TRIPLEX		DWG NO CVPT0755B		SIZE D

DSP LISTED LAYOUT

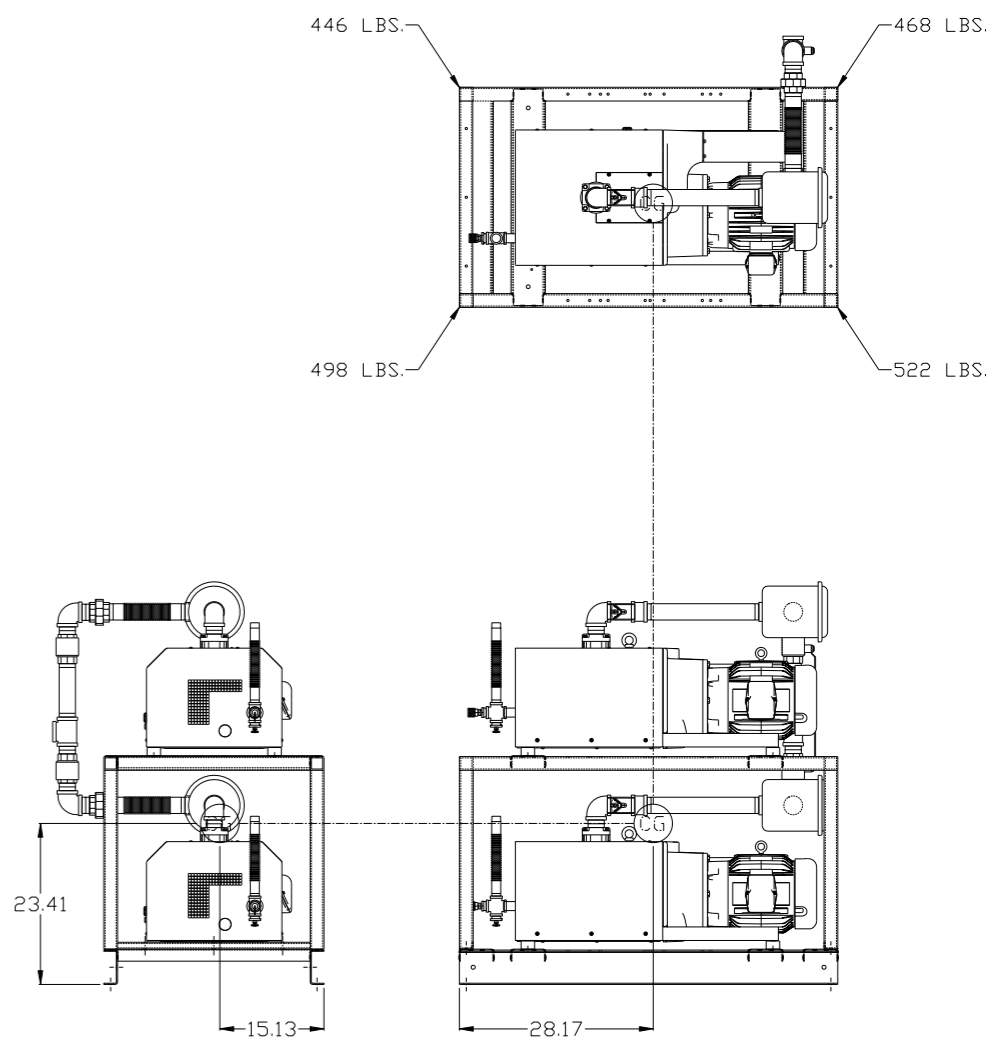
REV	ZONE	REVISION	DATE	ECN	NAME	CHKD
G-1	ALL	UPDATED TO PUMP WITH NEMA RATED MOTOR	8/17/16	PXEC0139	AEK	GES
	ALL	ADDED DSP LAYOUT SHEETS				



PUMP SKID #2:
 TOTAL WEIGHT: 909 LBS
 C.D.G. DIMENSIONS
 X (FRONT): -15.04"
 Y (RIGHT): 28.17"
 Z (HEIGHT): 11.20"



PANEL/TANK SKID:
 TOTAL WEIGHT: 949 LBS
 C.D.G. DIMENSIONS
 X (FRONT): -15.02"
 Y (RIGHT): 24.81"
 Z (HEIGHT): 35.19"



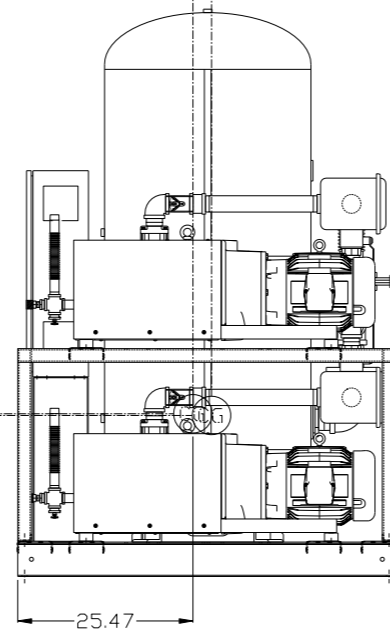
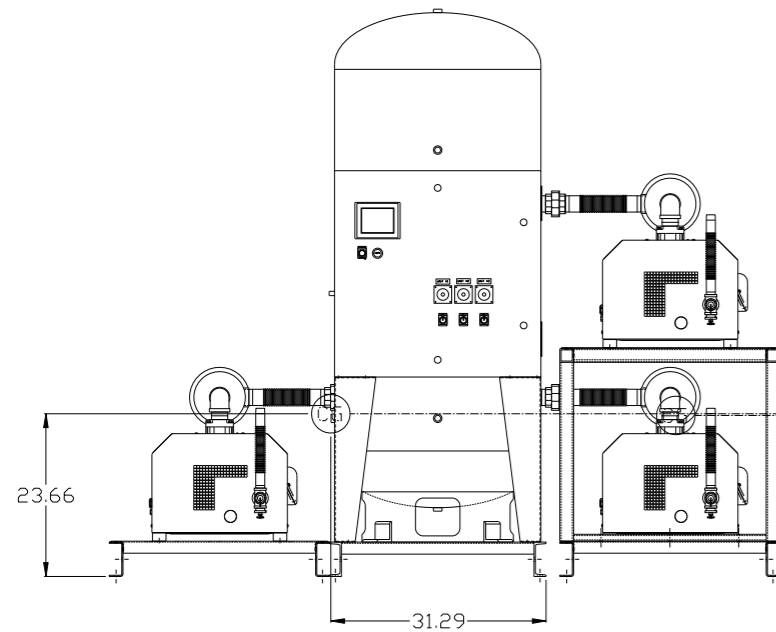
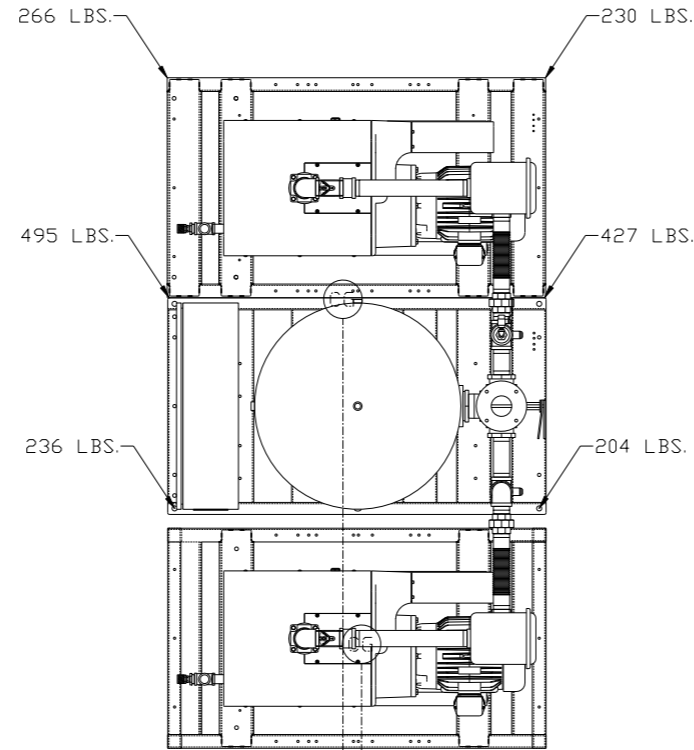
PUMP SKID #1:
 TOTAL WEIGHT: 1934 LBS
 C.D.G. DIMENSIONS
 X (FRONT): -15.13"
 Y (RIGHT): 28.17"
 Z (HEIGHT): 23.41"

denotes center of gravity (CG)

SYMBOL LEGEND ⊖ = MINUS DRAFT ⊕ = PLUS DRAFT ⊕ = BRINELL HARDNESS		= ADDITIONAL CONTROL REQ'D = BRINELL HARDNESS		Drawings to conform to the current revision of the following ANSI standards: Y14.3 Multi and sectional view dgs. Y14.5M Dimensioning and tolerancing
TOLERANCES NOT SPECIFIED .XX ± .XXX ± \angle(DEG) ±		AUTOCAD REL2014 LT INCH		DO NOT SCALE DRAWING FOR DIMENSIONS Sheet 3 of 4 SCALE 1:14
CONFIDENTIAL DISCLOSURE This drawing is the property of POWEREX, INC. of the SCOTT FETZER COMPANY and subject to return on demand. Its contents are confidential and must not be copied or submitted to outside parties for use or examination.		DRAWN BY AEK	CHECKED BY GES	APPROVED BY ENGINEERING MFG/MKTG KMD RJR
MATERIAL N/A		8/17/16	8/17/16	8/17/16 8/17/16
PART NAME 7.5HP CLAW VACUUM 200GAL TRIPLEX		 150 PRODUCTION DRIVE, HARRISON, OHIO 45030 Ph: 888-769-7979 FAX: (513) 367-3125		DWG NO CVPT0755B SIZE D

8 7 6 5 4 3 2 1

REV	ZONE	REVISION	DATE	ECN	NAME	CHKD
G-1	ALL	UPDATED TO PUMP WITH NEMA RATED MOTOR	8/17/16	PXEC0139	AEK	GES
	ALL	ADDED DSP LAYOUT SHEETS				



PUMP SKID #2 - PANEL/TANK SKID:
 (SEE SHEET 3 FOR PUMP SKID #1 C.O.G.)
 TOTAL WEIGHT: 1858 LBS
 C.O.G. DIMENSIONS
 X (FRONT): -31.29"
 Y (RIGHT): 25.47"
 Z (HEIGHT): 23.66"

SYMBOL LEGEND		= ADDITIONAL CONTROL REQ'D		Drawings to conform to the current revision of the following ANSI standards:	
⊖	MINUS DRAFT	⊕	PLUS DRAFT	Ⓢ	BRINELL HARDNESS
TOLERANCES NOT SPECIFIED		AUTOCAD REL2014 LT		DO NOT SCALE DRAWING FOR DIMENSIONS	
.XX ±		INCH		Sheet 4 of 4	SCALE 1:14
CONFIDENTIAL DISCLOSURE This drawing is the property of POWEREX, INC. of the SCOTT FEITZER COMPANY and subject to return on demand. Its contents are confidential and must not be copied or submitted to outside parties for use or examination.		DRAWN BY AEK	CHECKED BY GES	APPROVED BY ENGINEERING KMD	MFG/MKTG RJR
MATERIAL N/A		8/17/16	8/17/16	8/17/16	8/17/16
PART NAME 7.5HP CLAW VACUUM 200GAL TRIPLEX		DWG NO CVPT0755B		SIZE D	

8 7 6 5 4 3 2 1