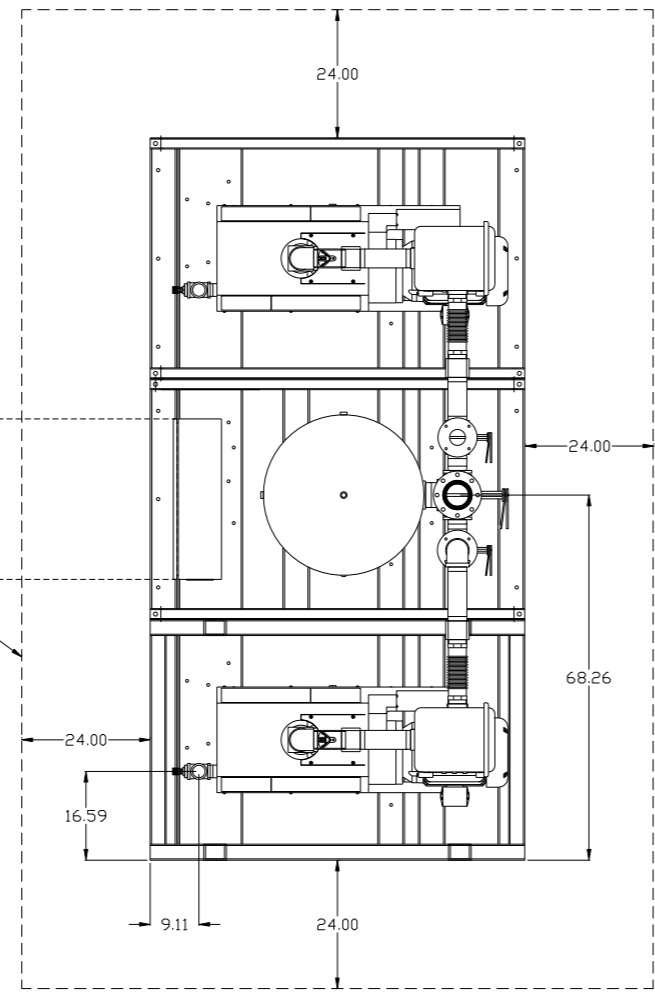


8 7 6 5 4 3 2 1

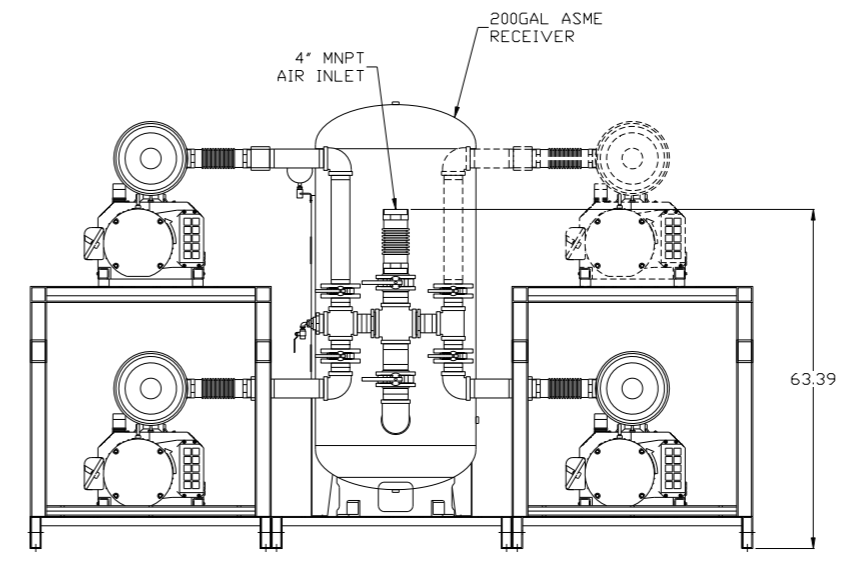
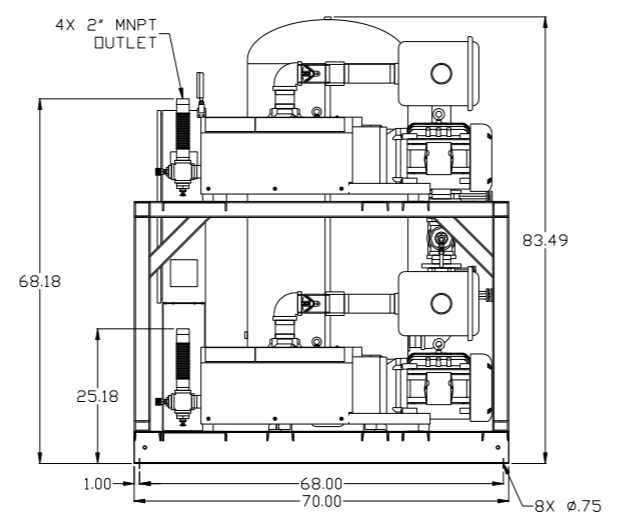
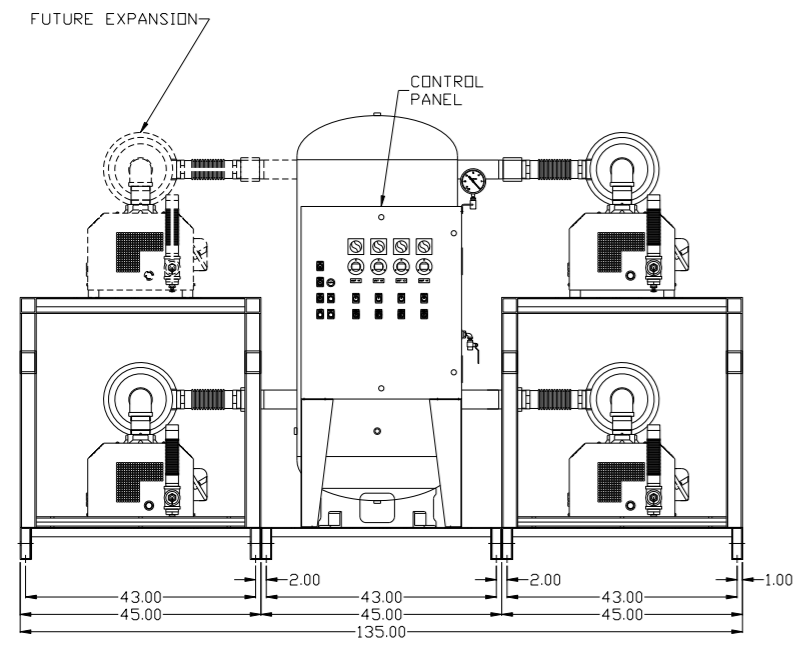
REV	ZONE	REVISION	DATE	ECN	NAME	CHKD
B-1	ALL	RELEASE TO PRODUCTION	4/23/08	21881	AEK	GES
C-1	ALL	ADDED 02 CLEANED SHEETS	7/6/09	22127	AEK	GES
C-2	1 ALL	REMOVED VACUUM SWITCHES FROM CONTROL PANEL	11/17/09	22127	AEK	GES
D-1	2 B-6 2 ALL	CHANGED BV/UNIONS TO BUTTERFLY VALVES ADDED SIGHT GAUGE ADDED SOURCE VALVE INFORMATION ADDED PBM/HMI SHEETS	11/9/12	22723	AEK	DMS
E-1	1 ALL	REMOVED 02 CLEANED SHEETS UPDATED PUMPS TO MH1502	08/07/15	PXEC0098	MJD	AEK

MINIMUM RECOMMENDED ELECTRICAL PANEL CLEARANCE PER OSHA/NEC REQUIREMENTS

MINIMUM RECOMMENDED MAINTENANCE CLEARANCE



EXPANSION UNIT & TOP FRAME  
NOT SHOWN IN TOP VIEW FOR CLARITY



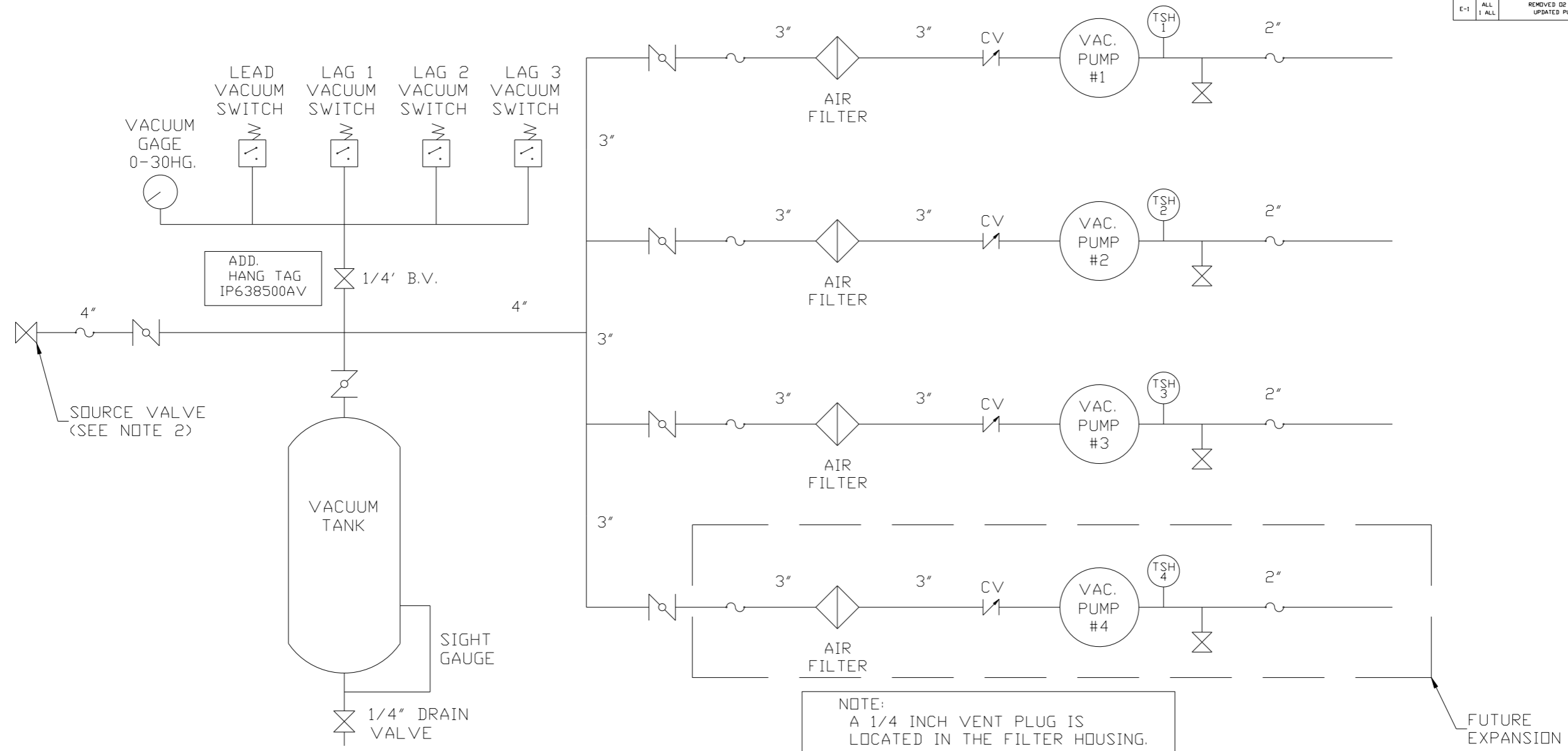
NOTE: SYSTEM DESIGNED IN COMPLIANCE WITH U.S. NFPA '99, LATEST EDITION.

<b>SYMBOL LEGEND</b> ⊖ = MINUS DRAFT ⊕ = PLUS DRAFT ⊕ = BRINELL HARDNESS		= ADDITIONAL CONTROL REQ'D = BRINELL HARDNESS		Drawings to conform to the current revision of the following ANSI standards: Y14.3 Multi and sectional view dsgs. Y14.5M Dimensioning and tolerancing
TOLERANCES NOT SPECIFIED .XX ± .XXX ± << DEG > ±		AUTOCAD REL2008 LT INCH		DO NOT SCALE DRAWING FOR DIMENSIONS Sheet 1 of 2 SCALE 1:18
<b>CONFIDENTIAL DISCLOSURE</b> This drawing is the property of the CAMPBELL GROUP of the SCOTT FETZER COMPANY and subject to return on demand. Its contents are confidential and must not be copied or submitted to outside parties for use or examination.		DRAWN BY AEK	CHECKED BY GES	APPROVED BY ENGINEERING MFG/MKTG DMS RJR
MATERIAL N/A		DATE 4/23/08	DATE 4/23/08	DATE 4/23/08
PART NAME 15HP CLAW VAC PACKAGE 200GAL TRIPLEX-EXP		 150 PRODUCTION DRIVE, HARRISON, OHIO 45030 Ph: 888-769-7979 FAX: (513) 367-3125		SIZE CVPT1505_EXP D

8 7 6 5 4 3 2 1

CVPT15059\_EXP.dwg

REV	ZONE	REVISION	DATE	ECN	NAME	CHKD
B-1	ALL	RELEASE TO PRODUCTION	4/23/08	21881	AEK	GES
C-1	ALL	ADDED 02 CLEANED SHEETS	7/6/09	22127	AEK	GES
C-2	1 ALL	REMOVED VACUUM SWITCHES FROM CONTROL PANEL	11/17/09	22127	AEK	GES
D-1	2 B-6 2 ALL	CHANGED BV/UNIONS TO BUTTERFLY VALVES ADDED SIGHT GAUGE ADDED SOURCE VALVE INFORMATION ADDED PBM/HMI SHEETS	11/9/12	22723	AEK	DMS
E-1	1 ALL	REMOVED 02 CLEANED SHEETS UPDATED PUMPS TO MMS02	08/07/15	PXEC0098	MJD	AEK



LEGEND	
	TEMP. SWITCH
	LOW OIL LEVEL SW.
	AIR FILTER
	BALL VALVE
	SOLENOID VALVE
	VACUUM SWITCH
	CHECK VALVE
	FLEX LINE
	UNION
	BUTTERFLY VALVE

NOTES:  
 1) TSH - TEMPERATURE SWITCH HIGH  
 2) PER NFPA THE SYSTEM WILL REQUIRE A SOURCE VALVE (SUPPLIED BY OTHERS).

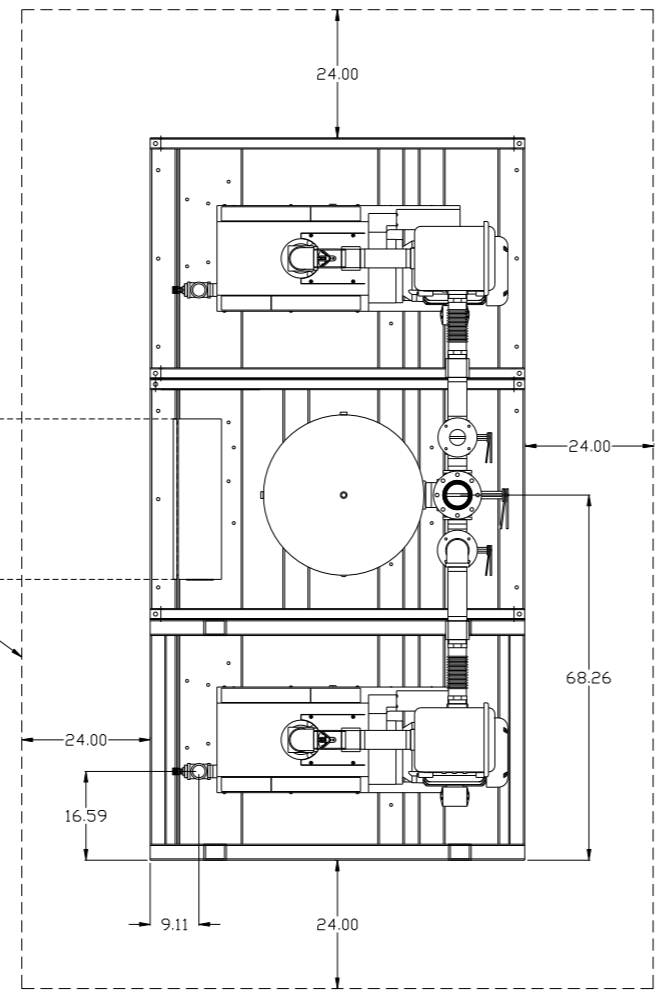
SYMBOL LEGEND			ADDITIONAL CONTROL REQ'D	Drawings to conform to the current revision of the following ANSI standards
	MINUS DRAFT		BRINELL HARDNESS	Y14.3 Multi and sectional view dsgs. Y14.5M Dimensioning and tolerancing
TOLERANCES NOT SPECIFIED		AUTOCAD REL2008 LT	DO NOT SCALE DRAWING FOR DIMENSIONS	
.XX ±	.XXX ±	INCH	Sheet 2 of 2	SCALE 1:18
CONFIDENTIAL DISCLOSURE This drawing is the property of the CAMPBELL GROUP OF THE SCOTT FETZER COMPANY and subject to return on demand. Its contents are confidential and must not be copied or submitted to outside parties for use or examination.				
DRAWN BY	CHECKED BY	ENGINEERING	MFG/MKTG	APPROVED BY
AEK	GES	DMS	RJR	
DATE	DATE	DATE	DATE	
4/23/08	4/23/08	4/23/08	4/23/08	
MATERIAL		N/A		
PART NAME		CLAW VAC TRI-EXP FLOW SCHEMATIC		
DWG NO		CVPT1505_EXP D		
SIZE		CVPT1505B_EXP.dwg		

8 7 6 5 4 3 2 1

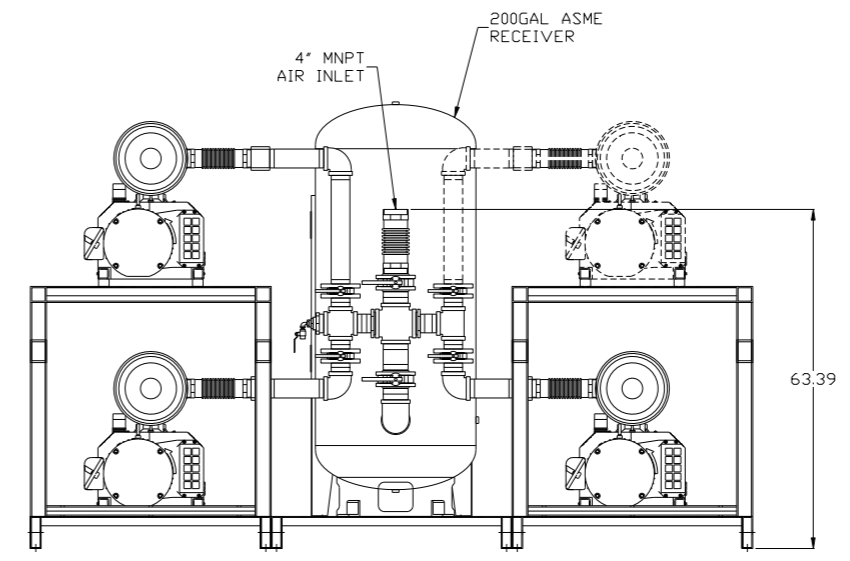
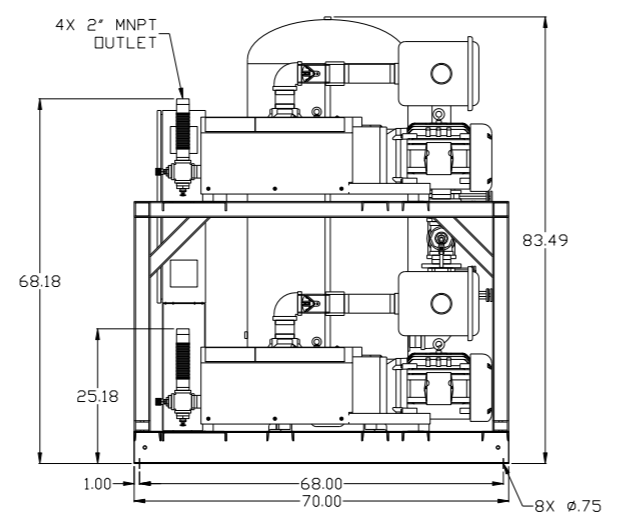
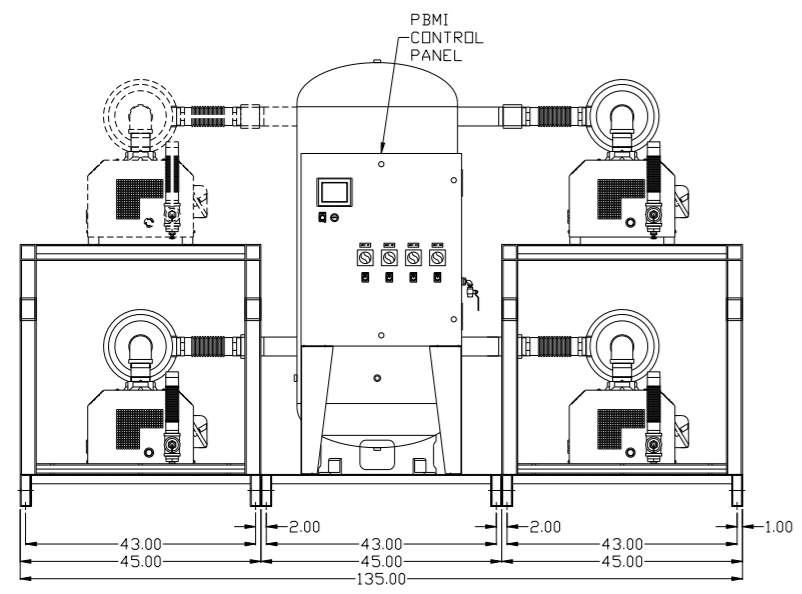
REV	ZONE	REVISION	DATE	ECN	NAME	CHKD
D-1	ALL 2 B-6 2 ALL	CHANGED BV/UNIONS TO BUTTERFLY VALVES ADDED SIGHT GAUGE ADDED SOURCE VALVE INFORMATION ADDED PBMI/HMI SHEETS	11/9/12	22723	AEK	DMS
E-1	ALL 1 ALL	REMOVED 02 CLEANED SHEETS UPDATED PUMPS TO MM1502	08/07/15	PXEC0098	MJD	AEK

MINIMUM RECOMMENDED ELECTRICAL PANEL CLEARANCE PER OSHA/NEC REQUIREMENTS

MINIMUM RECOMMENDED MAINTENANCE CLEARANCE



EXPANSION UNIT & TOP FRAME  
NOT SHOWN IN TOP VIEW FOR CLARITY

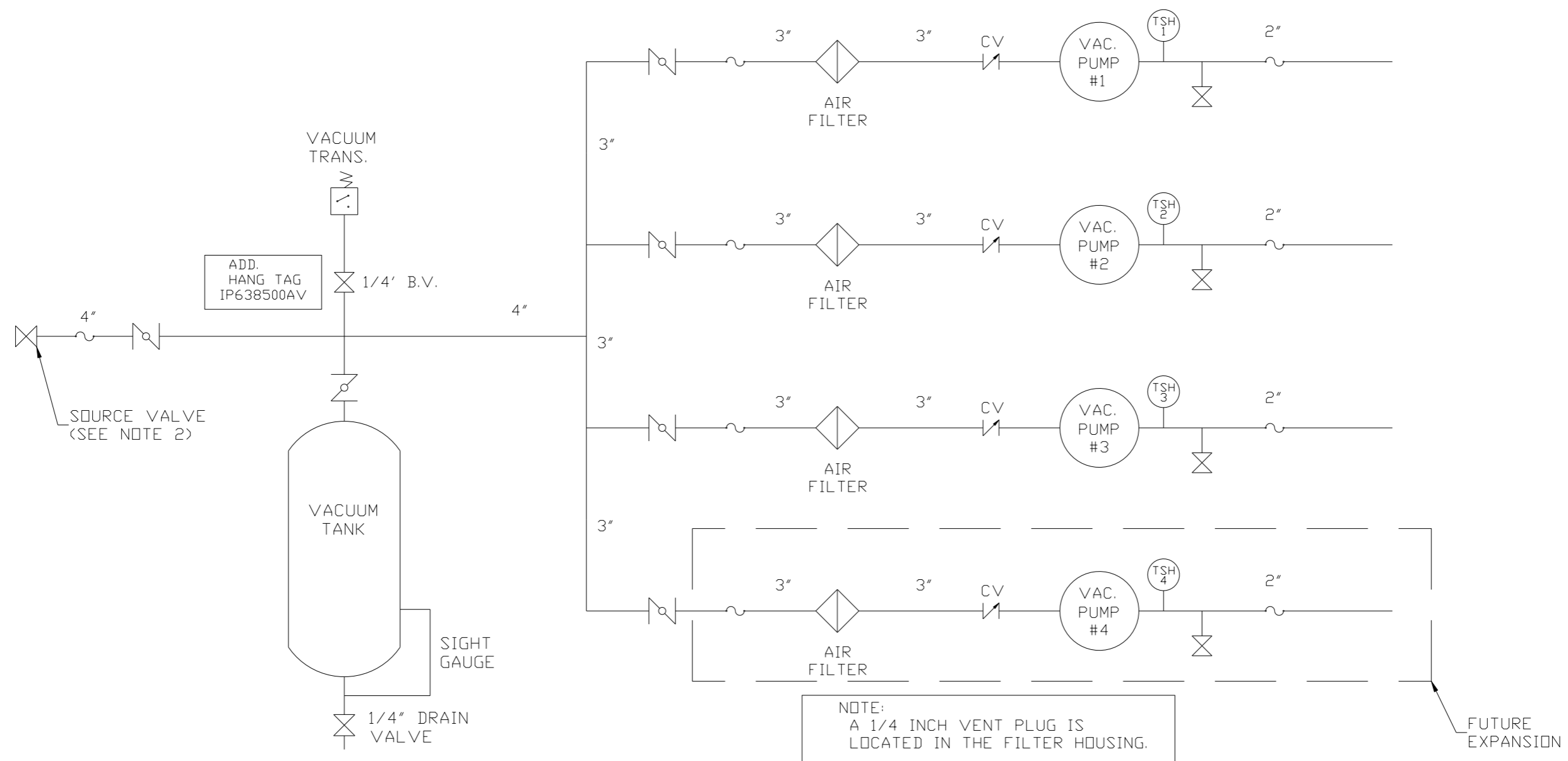


NOTE: SYSTEM DESIGNED IN COMPLIANCE WITH U.S. NFPA '99, LATEST EDITION.

<b>SYMBOL LEGEND</b> ⊖ = MINUS DRAFT ⊕ = PLUS DRAFT Ⓢ = ADDITIONAL CONTROL REQ'D Ⓢ = BRINELL HARDNESS		Drawings to conform to the current revision of the following ANSI standards: Y14.3 Multi and sectional view dsgs. Y14.5M Dimensioning and tolerancing	
TOLERANCES NOT SPECIFIED .XX ± .XXX ± << DEG > ±		AUTOCAD REL2008 LT <b>INCH</b>	
DO NOT SCALE DRAWING FOR DIMENSIONS Sheet 1 of 2 SCALE 1:18		CONFIDENTIAL DISCLOSURE This drawing is the property of the CAMPBELL GROUP of the SCOTT FETZER COMPANY and subject to return on demand. Its contents are confidential and must not be copied or submitted to outside parties for use or examination.	
MATERIAL N/A		<b>POWEREX</b> 150 PRODUCTION DRIVE, HARRISON, OHIO 45030 Ph: 888-769-7979 FAX: (513) 367-3125	
PART NAME 15HP CLAW VAC PACKAGE 200GAL TRIPLEX-EXP		DRAWN BY: AEK CHECKED BY: GES APPROVED BY: DMS, RJR 4/23/08 4/23/08 4/23/08 4/23/08	
DVG NO CVPT1505_EXP		SIZE D	

8 7 6 5 4 3 2 1

REV	ZONE	REVISION	DATE	ECN	NAME	CHKD
D-1	ALL	CHANGED BV/UNIONS TO BUTTERFLY VALVES				
	2 B-6	ADDED SIGHT GAUGE				
	2 ALL	ADDED SOURCE VALVE INFORMATION	11/9/12	22723	AEK	DMS
	ALL	ADDED PBM/HMI SHEETS				
E-1	ALL	REMOVED D2 CLEANED SHEETS	08/07/15	PXEC0098	MJD	AEK
	1 ALL	UPDATED PUMPS TO MM1502				



NOTE:  
A 1/4 INCH VENT PLUG IS  
LOCATED IN THE FILTER HOUSING.

LEGEND	
	TEMP. SWITCH
	LOW OIL LEVEL SW.
	AIR FILTER
	BALL VALVE
	SOLENOID VALVE
	VACUUM SWITCH
	CHECK VALVE
	FLEX LINE
	UNION
	BUTTERFLY VALVE

NOTES:  
1) TSH - TEMPERATURE SWITCH HIGH  
2) PER NFPA THE SYSTEM WILL REQUIRE A SOURCE VALVE (SUPPLIED BY OTHERS).

SYMBOL LEGEND			ADDITIONAL CONTROL REQ'D	Drawings to conform to the current revision of the following ANSI standards
	MINUS DRAFT		BRINELL HARDNESS	Y14.3 Multi and sectional view dsgs. Y14.5M Dimensioning and tolerancing
TOLERANCES NOT SPECIFIED		AUTOCAD REL2008 LT	DO NOT SCALE DRAWING FOR DIMENSIONS	
.XX ±		INCH	Sheet 2 of 2	SCALE 1:18
.XXX ±				
<<DEG>> ±				
CONFIDENTIAL DISCLOSURE This drawing is the property of the CAMPBELL GROUP of the SCOTT FETZER COMPANY and subject to return on demand. Its contents are confidential and must not be copied or submitted to outside parties for use or examination.				
DRAWN BY	CHECKED BY	ENGINEERING	APPROVED BY	MFG/MRKTG
AEK	GES	DMS	RJR	
4/23/08	4/23/08	4/23/08	4/23/08	4/23/08
MATERIAL		N/A		
PART NAME		CLAW VAC TRI-EXP FLOW SCHEMATIC		
DWG NO		CVPT1505_EXP D		
SIZE		CVPT1505B_EXP.dwg		