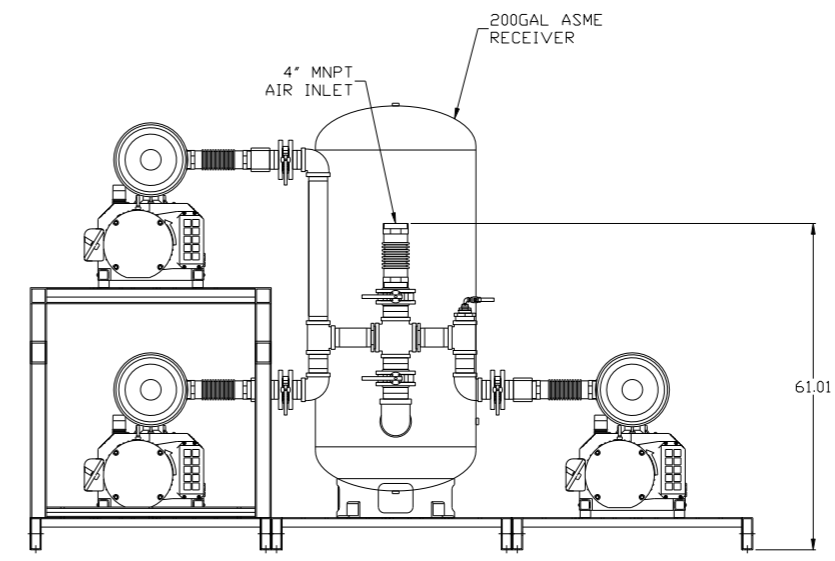
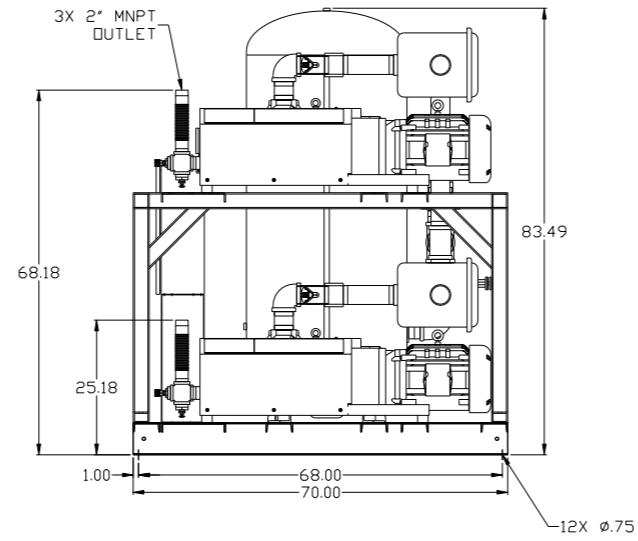
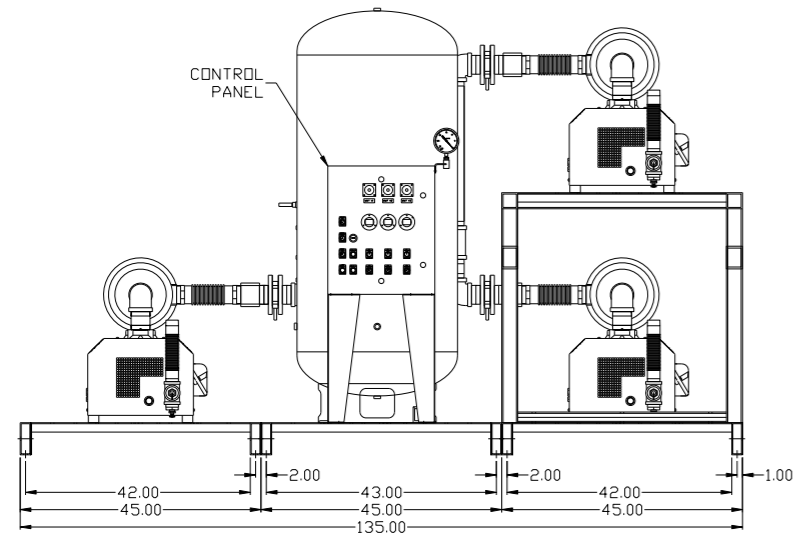
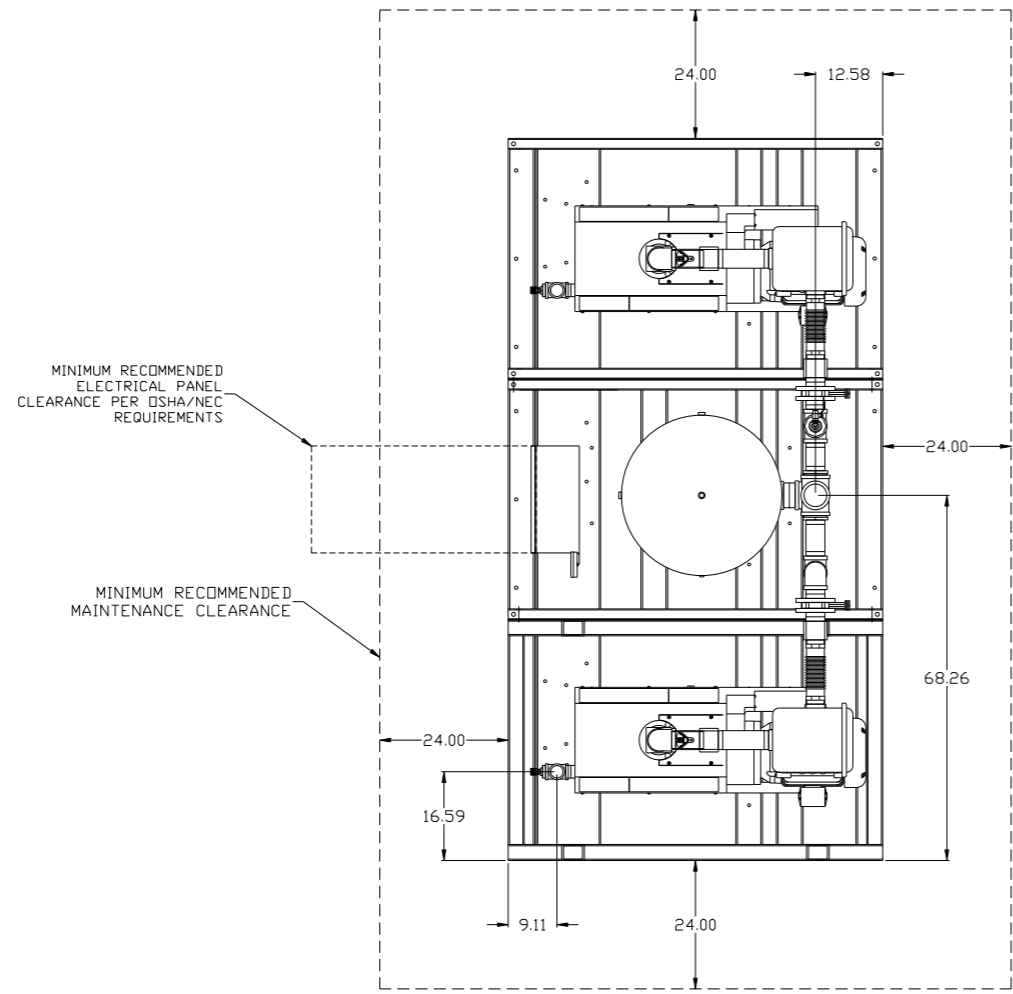


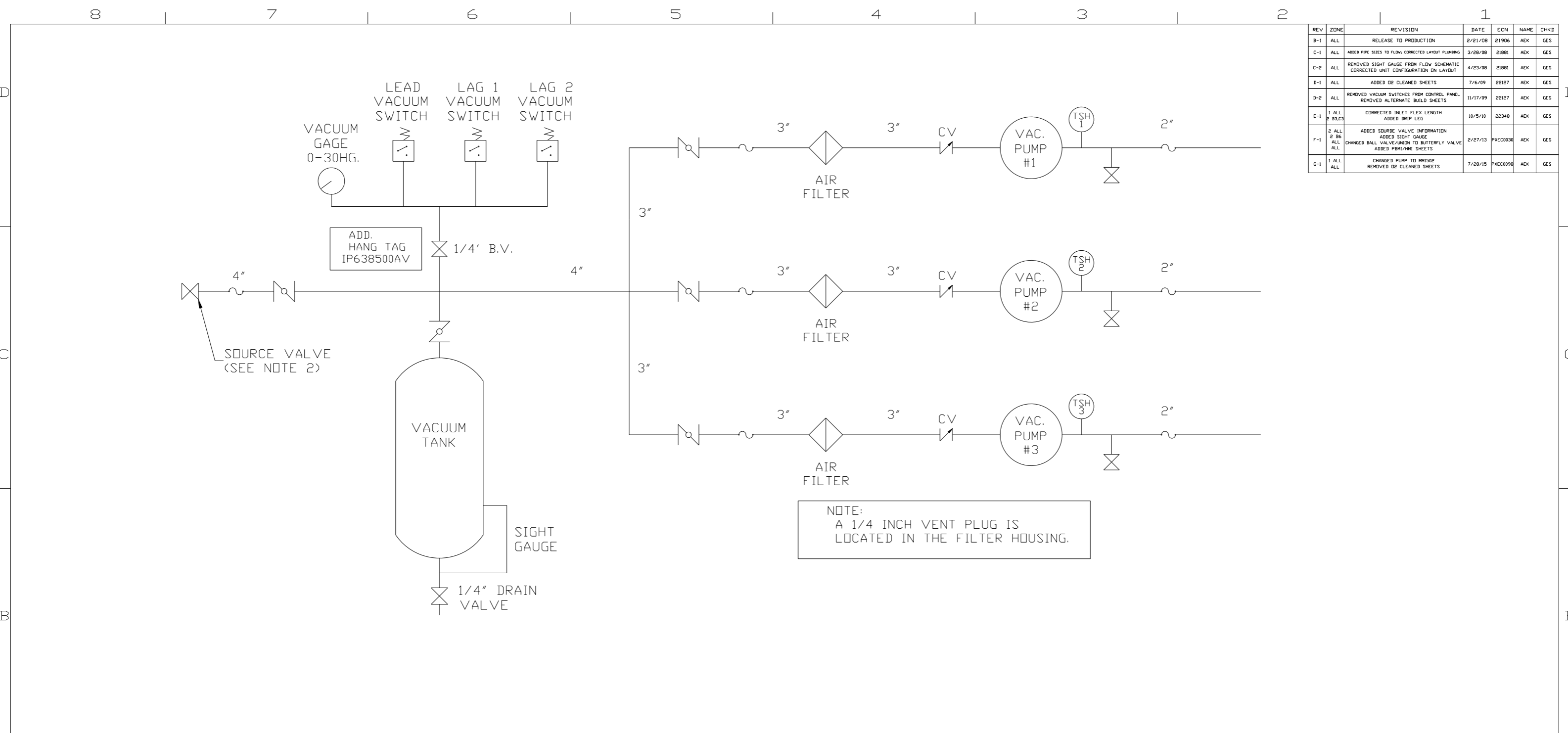
REV	ZONE	REVISION	DATE	ECN	NAME	CHKD
B-1	ALL	RELEASE TO PRODUCTION	2/21/08	21906	AEK	GES
C-1	ALL	ADDED PIPE SIZES TO FLOW CORRECTED LAYOUT PLUMBING	3/28/08	21881	AEK	GES
C-2	ALL	REMOVED SIGHT GAUGE FROM FLOW SCHEMATIC CORRECTED UNIT CONFIGURATION ON LAYOUT	4/23/08	21881	AEK	GES
D-1	ALL	ADDED D2 CLEANED SHEETS	7/6/09	22127	AEK	GES
D-2	ALL	REMOVED VACUUM SWITCHES FROM CONTROL PANEL REMOVED ALTERNATE BUILD SHEETS	11/17/09	22127	AEK	GES
E-1	1 ALL 2 B3.C3	CORRECTED INLET FLEX LENGTH ADDED DRIP LEG	10/5/10	22348	AEK	GES
F-1	2 ALL 2 B6 ALL	ADDED SOURCE VALVE INFORMATION ADDED SIGHT GAUGE CHANGED BALL VALVE/UNION TO BUTTERFLY VALVE ADDED PBM/HMI SHEETS	2/27/13	PXEC0030	AEK	GES
G-1	1 ALL	CHANGED PUMP TO MH1502 REMOVED D2 CLEANED SHEETS	7/28/15	PXEC0098	AEK	GES



NOTE: SYSTEM DESIGNED IN COMPLIANCE WITH U.S. NFPA '99, LATEST EDITION.

<b>SYMBOL LEGEND</b> ⊖ = MINUS DRAFT ⊕ = PLUS DRAFT Ⓢ = ADDITIONAL CONTROL REQ'D ⓈH = BRINELL HARDNESS		Drawings to conform to the current revision of the following ANSI standards: Y14.3 Multi and sectional view dsgs. Y14.5M Dimensioning and tolerancing	
TOLERANCES NOT SPECIFIED .XX ± .XXX ± <math>\angle</math>(DEG) ±		AUTOCAD REL2008 LT <b>INCH</b> DO NOT SCALE DRAWING FOR DIMENSIONS Sheet 1 of 2 SCALE 1:18	
<b>CONFIDENTIAL DISCLOSURE</b> This drawing is the property of POWEREX, INC. of the SCOTT FETZER COMPANY and subject to return on demand. Its contents are confidential and must not be copied or submitted to outside parties for use or examination.			
DRAWN BY AEK		CHECKED BY GES	
APPROVED BY DMS		APPROVED BY RJR	
DATE 2/21/08		DATE 2/21/08	
MATERIAL N/A		<b>POWEREX</b> 150 PRODUCTION DRIVE, HARRISON, OHIO 45030 Ph: 888-769-7979 FAX: (513) 367-3125	
PART NAME 15HP CLAW VAC PACKAGE 200GAL TRIPLEX		DWG NO CVPT1505 SIZE D	

REV	ZONE	REVISION	DATE	ECN	NAME	CHKD
B-1	ALL	RELEASE TO PRODUCTION	2/21/08	21906	AEK	GES
C-1	ALL	ADDED PIPE SIZES TO FLOW, CORRECTED LAYOUT PLUMBING	3/28/08	21881	AEK	GES
C-2	ALL	REMOVED SIGHT GAUGE FROM FLOW SCHEMATIC CORRECTED UNIT CONFIGURATION ON LAYOUT	4/23/08	21881	AEK	GES
D-1	ALL	ADDED D2 CLEANED SHEETS	7/6/09	22127	AEK	GES
D-2	ALL	REMOVED VACUUM SWITCHES FROM CONTROL PANEL REMOVED ALTERNATE BUILD SHEETS	11/17/09	22127	AEK	GES
E-1	1 ALL 2 B3.C3	CORRECTED INLET FLEX LENGTH ADDED DRIP LEG	10/5/10	22348	AEK	GES
F-1	2 ALL 2 B6 ALL	ADDED SOURCE VALVE INFORMATION ADDED SIGHT GAUGE CHANGED BALL VALVE/UNION TO BUTTERFLY VALVE ADDED PBM/HMI SHEETS	2/27/13	PXEC0030	AEK	GES
G-1	1 ALL ALL	CHANGED PUMP TO MH1502 REMOVED D2 CLEANED SHEETS	7/28/15	PXEC0098	AEK	GES



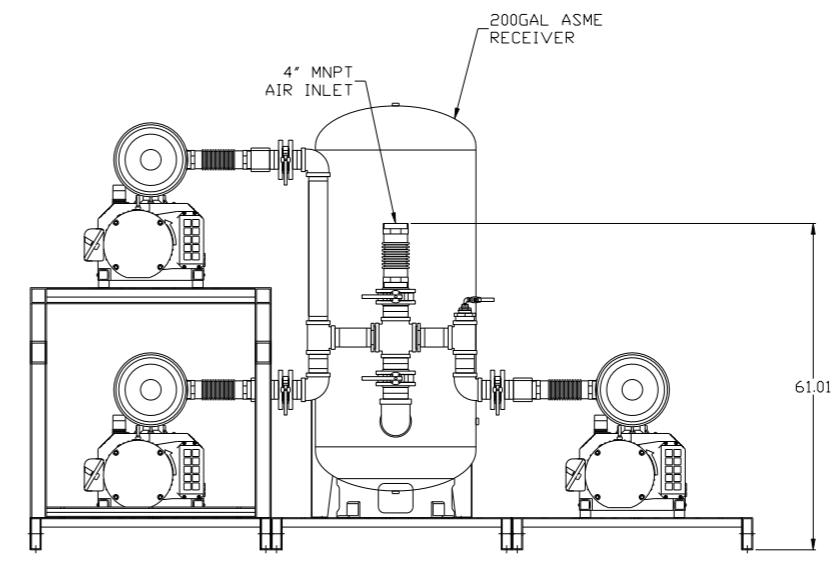
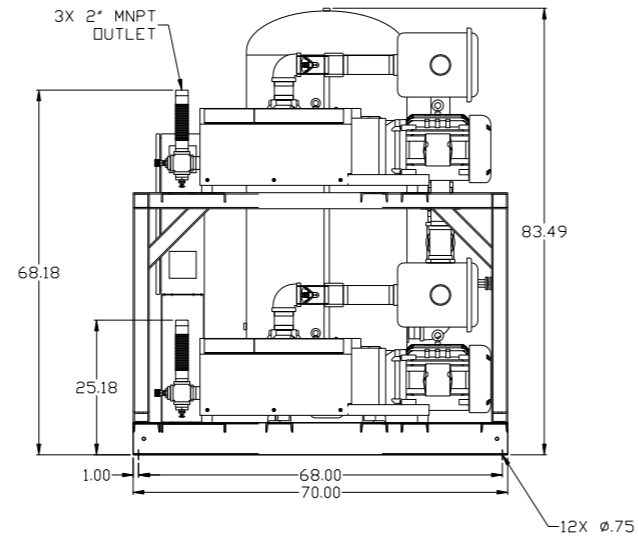
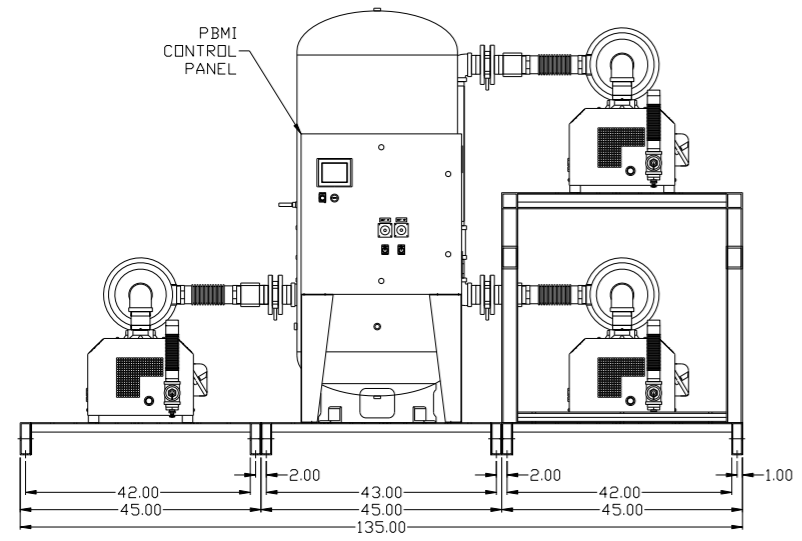
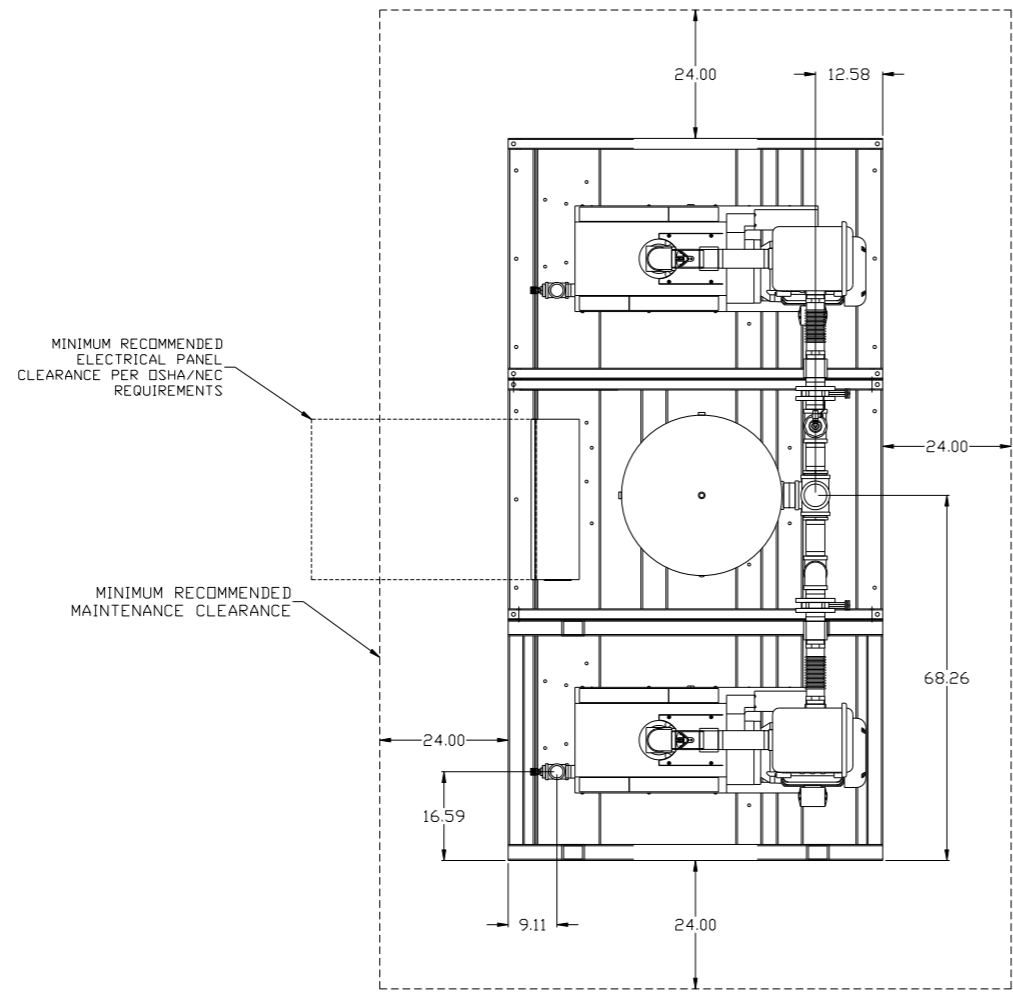
NOTE:  
A 1/4 INCH VENT PLUG IS  
LOCATED IN THE FILTER HOUSING.

LEGEND	
	TEMP. SWITCH
	LOW OIL LEVEL SW.
	AIR FILTER
	BALL VALVE
	SOLENOID VALVE
	VACUUM SWITCH
	CHECK VALVE
	FLEX LINE
	UNION
	BUTTERFLY VALVE

NOTES:  
1) TSH - TEMPERATURE SWITCH HIGH  
2) PER NFPA THE SYSTEM WILL REQUIRE A SOURCE VALVE (SUPPLIED BY OTHERS).

SYMBOL LEGEND			ADDITIONAL CONTROL REQ'D	Drawings to conform to the current revision of the following ANSI standards	
	MINUS DRAFT		BRINELL HARDNESS	Y14.3 Multi and sectional view dsgs. Y14.5M Dimensioning and tolerancing	
TOLERANCES NOT SPECIFIED		AUTOCAD REL2008 LT	DO NOT SCALE DRAWING FOR DIMENSIONS		
.XX ±	.XXX ±	INCH	Sheet 2 of 2	SCALE 1:18	
CONFIDENTIAL DISCLOSURE This drawing is the property of POWEREX, INC. of the SCOTT FETZER COMPANY and subject to return on demand. Its contents are confidential and must not be copied or submitted to outside parties for use or examination.					
DRAWN BY	CHECKED BY	APPROVED BY	ENGINEERING	MFG/MKTG	
AEK	GES	DMS	RJR		
DATE	DATE	DATE	DATE		
2/21/08	2/21/08	2/21/08	2/21/08		
MATERIAL		N/A			
PART NAME		CLAW VAC TRIPLEX FLOW SCHEMATIC			
DWG NO		CVPT1505			
SIZE		D			

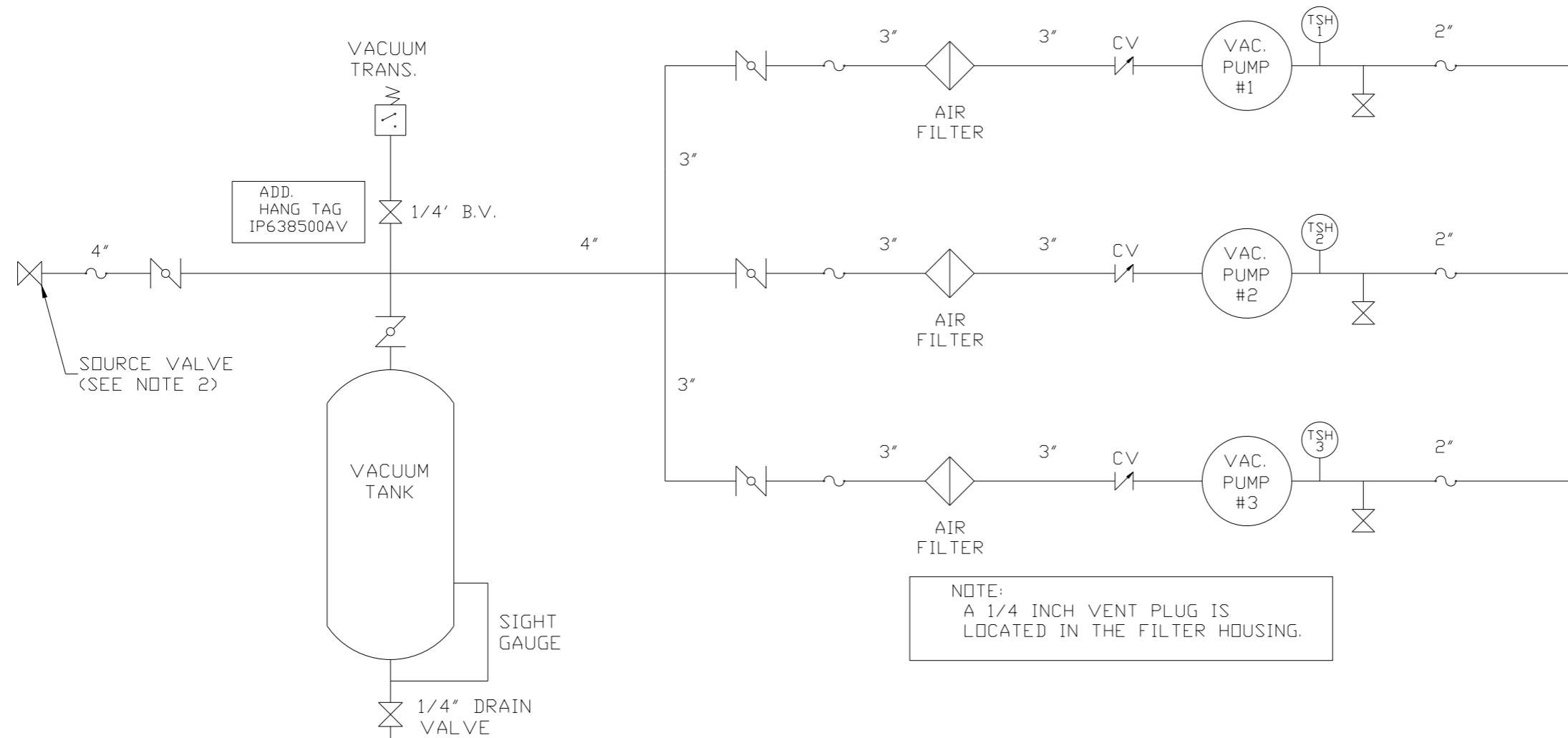
REV	ZONE	REVISION	DATE	ECN	NAME	CHKD
F-1	2 ALL 2 B6 ALL	ADDED SOURCE VALVE INFORMATION ADDED SIGHT GAUGE CHANGED BALL VALVE/UNION TO BUTTERFLY VALVE ADDED PBMI/HMI SHEETS	2/27/13	PXEC0030	AEK	GES
G-1	1 ALL ALL	CHANGED PUMP TO HMI50P REMOVED 02 CLEANED SHEETS	7/28/15	PXEC0098	AEK	GES



NOTE: SYSTEM DESIGNED IN COMPLIANCE WITH U.S. NFPA '99, LATEST EDITION.

<b>SYMBOL LEGEND</b> ⊖ = MINUS DRAFT    ⊕ = PLUS DRAFT ○ = ADDITIONAL CONTROL REQ'D ◊ = BRINELL HARDNESS		Drawings to conform to the current revision of the following ANSI standards: Y14.3 Multi and sectional view dsgs. Y14.5M Dimensioning and tolerancing	
TOLERANCES NOT SPECIFIED .XX ± .XXX ± <math>\angle</math> (DEG) ±		<b>DO NOT SCALE DRAWING FOR DIMENSIONS</b> Sheet 1 of 2    SCALE 1:18	
<b>CONFIDENTIAL DISCLOSURE</b> This drawing is the property of POWEREX, INC. of the SCOTT FEITZER COMPANY and subject to return on demand. Its contents are confidential and must not be copied or submitted to outside parties for use or examination.		AUTOCAD REL2008 LT DRAWN BY: AEK    CHECKED BY: GES    APPROVED BY: DMS, RJR 2/27/13    2/27/13    2/27/13    2/27/13	
MATERIAL: N/A		<b>POWEREX</b> 150 PRODUCTION DRIVE, HARRISON, OHIO 45030 Ph: 888-769-7979 FAX: (513) 367-3125	
PART NAME: 15HP CLAW VAC PACKAGE 200GAL TRIPLEX		DWG NO: CVPT1505    SIZE: D	

REV	ZONE	REVISION	DATE	ECN	NAME	CHKD
F-1	2 ALL 2 B6 ALL	ADDED SOURCE VALVE INFORMATION ADDED SIGHT GAUGE CHANGED BALL VALVE/UNION TO BUTTERFLY VALVE ADDED PBM/HMI SHEETS	2/27/13	PXEC0030	AEK	GES
G-1	1 ALL ALL	CHANGED PUMP TO HMI50P REMOVED 02 CLEANED SHEETS	7/28/15	PXEC0098	AEK	GES



NOTE:  
A 1/4 INCH VENT PLUG IS  
LOCATED IN THE FILTER HOUSING.

LEGEND	
	TEMP. SWITCH
	LOW OIL LEVEL SW.
	AIR FILTER
	BALL VALVE
	SOLENOID VALVE
	VACUUM SWITCH
	CHECK VALVE
	FLEX LINE
	UNION
	BUTTERFLY VALVE

NOTES:  
1) TSH - TEMPERATURE SWITCH HIGH  
2) PER NFPA THE SYSTEM WILL REQUIRE A SOURCE VALVE (SUPPLIED BY OTHERS).

SYMBOL LEGEND			ADDITIONAL CONTROL REQ'D	Drawings to conform to the current revision of the following ANSI standards: Y14.3 Multi and sectional view dgs. Y14.5M Dimensioning and tolerancing
	MINUS DRAFT		BRINELL HARDNESS	
TOLERANCES NOT SPECIFIED		AUTOCAD REL2008 LT	DO NOT SCALE DRAWING FOR DIMENSIONS	
.XX ±	.XXX ±	<DEG> ±	INCH	Sheet 2 of 2
CONFIDENTIAL DISCLOSURE This drawing is the property of POWEREX, INC. of the SCOTT FETZER COMPANY and subject to return on demand. Its contents are confidential and must not be copied or submitted to outside parties for use or examination.		DRAWN BY AEK	CHECKED BY GES	APPROVED BY DMS RJR
MATERIAL N/A		2/27/13	2/27/13	2/27/13
PART NAME CLAW VAC TRIPLEX FLOW SCHEMATIC		DWG NO CVPT1505		SCALE 1:18