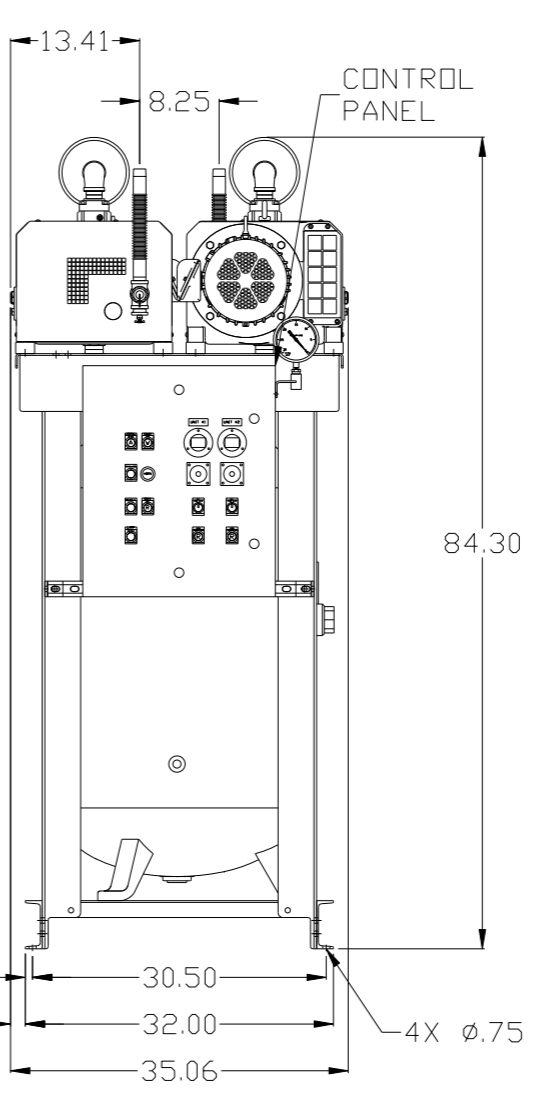
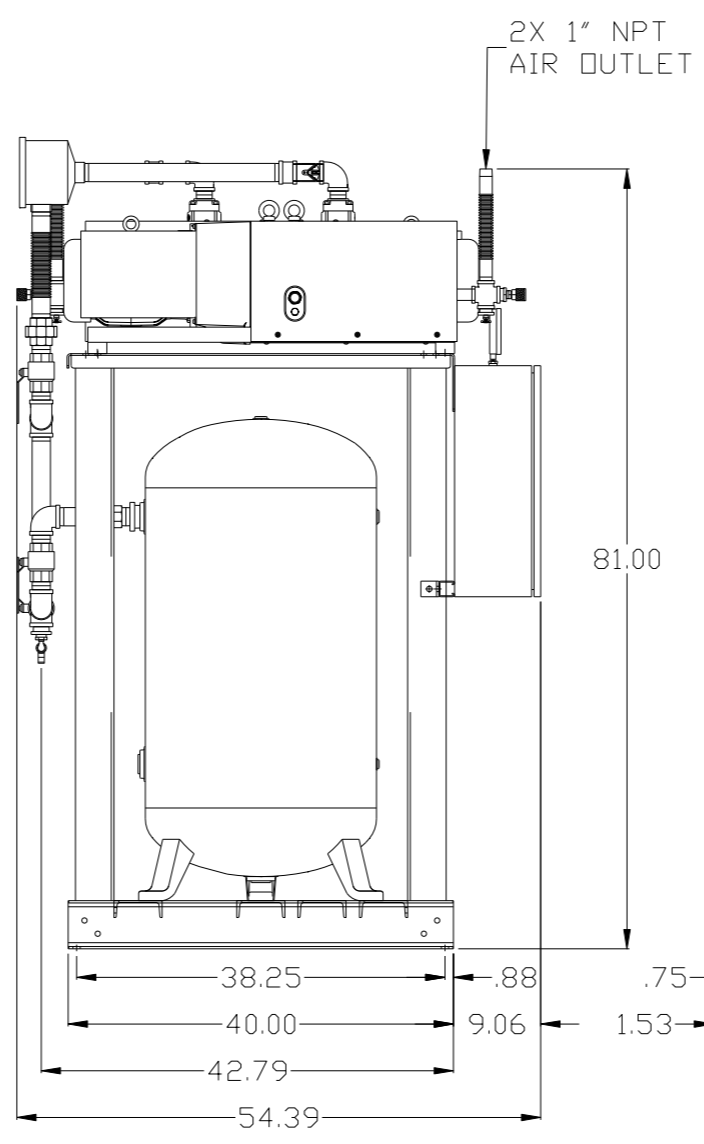
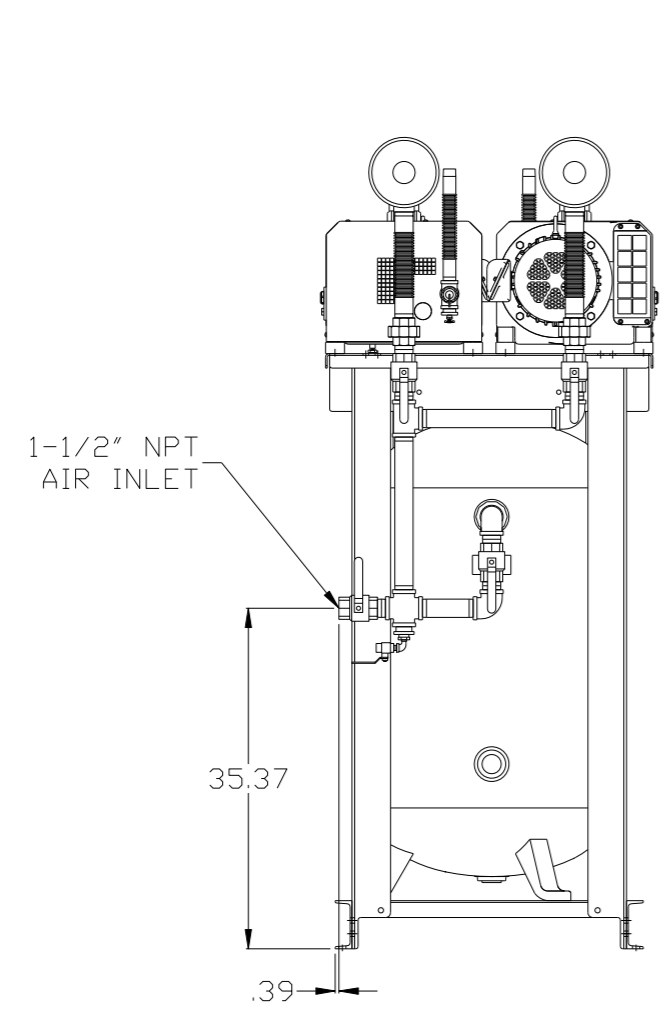
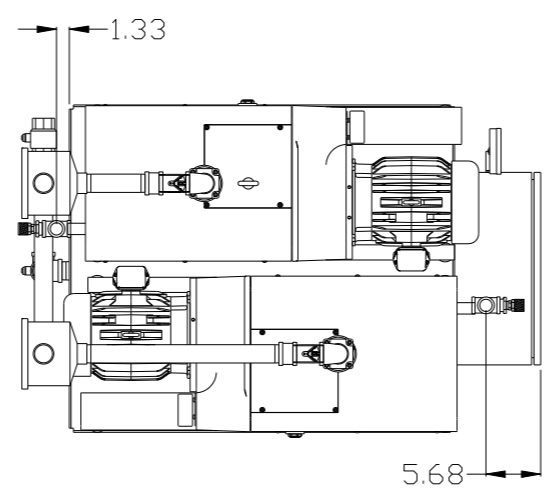


8 7 6 5 4 3 2 1

REV	ZONE	REVISION	DATE	ECN	NAME	CHKD
B-1	ALL	RELEASE FOR PRODUCTION	2/20/08	21906	AEK	GES
C-1	ALL	ADDED SHEET 3	12/22/08	21907	AEK	DMS
D-1	ALL	CHANGED BUILD TO REFLECT AMB00100AJ FRAME ASSY	3/8/09	22170	AEK	GES
E-1	1 ALL	REMOVED VACUUM SWITCHES FROM CONTROL PANEL	11/2/09	22127	AEK	GES
F-1	2 C2	ADDED DRIP LEG	3/16/10	22348	AEK	DMS
G-1	ALL	ADDED PBMI SHEETS	12/13/11	22610	AEK	GES
H-1	2 B5 2 ALL	ADDED SIGHT GAUGE ADDED SOURCE VALVE INFORMATION	11/19/12	22723	AEK	DMS
J-1	1 ALL	CORRECTED INLET PIPING SIZE SHOWN	4/11/13	PXEC0030	AEK	GES
K-1	ALL	MADE HIGH TEMP STANDARD ON BASIC CONTROLS	4/17/14	PXEC0048	AEK	GES
L-1	1 ALL	UPDATED PUMP TO CURRENT MANUFACTURER'S DRAWING	6/9/16	PXEC0139	AEK	GES



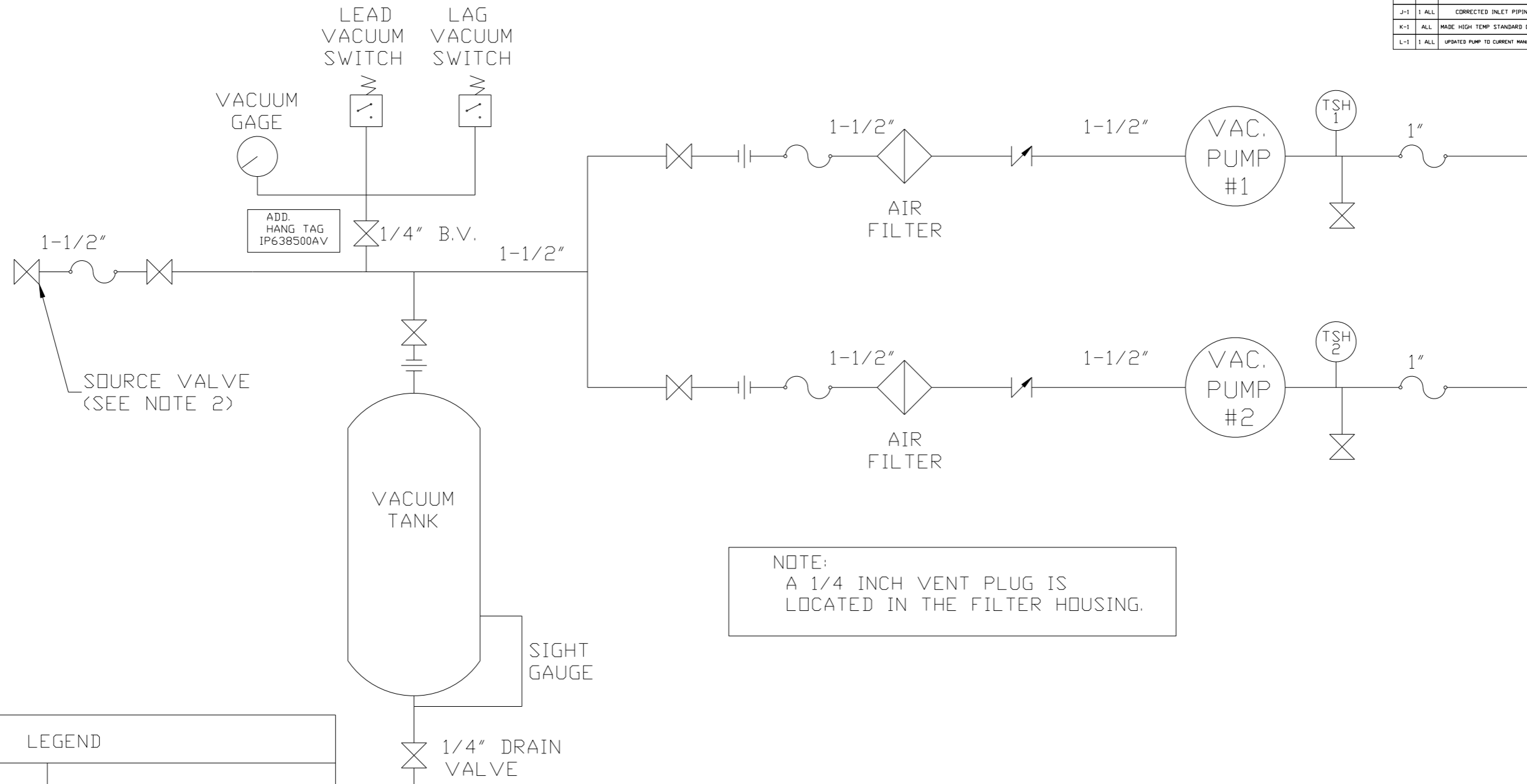
NOTE: SYSTEM DESIGNED IN COMPLIANCE WITH U.S. NFPA '99, LATEST EDITION.

NOTE: A MINIMUM OF 24" CLEARANCE IS RECOMMENDED AROUND THE ENTIRE UNIT.

<b>SYMBOL LEGEND</b> ⊖ = MINUS DRAFT ⊕ = PLUS DRAFT ⊕ = BRINELL HARDNESS		= ADDITIONAL CONTROL REQ'D = BRINELL HARDNESS		Drawings to conform to the current revision of the following ANSI standards: Y14.3 Multi and sectional view dgs. Y14.5M Dimensioning and tolerancing
TOLERANCES NOT SPECIFIED .XX ± .XXX ± <<DEG> ±		AUTOCAD REL2008 LT INCH		DO NOT SCALE DRAWING FOR DIMENSIONS Sheet 1 of 2 SCALE 1:10
<b>CONFIDENTIAL DISCLOSURE</b> This drawing is the property of POWEREX, INC. of the SCOTT FITZGER COMPANY and subject to return on demand. Its contents are confidential and must not be copied or submitted to outside parties for use or examination.				
DRAWN BY AEK		CHECKED BY GES		APPROVED BY ENGINEERING MFG/MKTG DMS TZ
MATERIAL N/A		DATE 2/20/08		DATE 2/20/08 2/20/08 2/20/08
PART NAME DUPLEX VACUUM 3HP 80 GAL VERT		 150 PRODUCTION DRIVE, HARRISON, OHIO 45030 Ph: 888-769-7979 FAX: (513) 367-3125		DWG NO CVTD0303V SIZE D

8 7 6 5 4 3 2 1

REV	ZONE	REVISION	DATE	ECN	NAME	CHKD
B-1	ALL	RELEASE TO PRODUCTION	2/20/08	21906	AEK	GES
C-1	ALL	ADDED SHEET 3	12/22/08	21907	AEK	DMS
D-1	ALL	CHANGED BUILD TO REFLECT AMB01000AJ FRAME ASSY	3/8/09	22170	AEK	GES
E-1	1 ALL	REMOVED VACUUM SWITCHES FROM CONTROL PANEL	11/2/09	22127	AEK	GES
F-1	2 C2	ADDED DRIP LEG	3/16/10	22348	AEK	DMS
G-1	ALL	ADDED P&MI SHEETS	12/13/11	22610	AEK	GES
H-1	2 B5 2 ALL	ADDED SIGHT GAUGE ADDED SOURCE VALVE INFORMATION	11/19/12	22723	AEK	DMS
J-1	1 ALL	CORRECTED INLET PIPING SIZE SHOWN	4/11/13	PXEC0030	AEK	GES
K-1	ALL	MADE HIGH TEMP STANDARD DN BASIC CONTROLS	4/17/14	PXEC0048	AEK	GES
L-1	1 ALL	UPDATED PUMP TO CURRENT MANUFACTURER'S DRAWING	6/9/16	PXEC0139	AEK	GES



NOTE:  
A 1/4 INCH VENT PLUG IS  
LOCATED IN THE FILTER HOUSING.

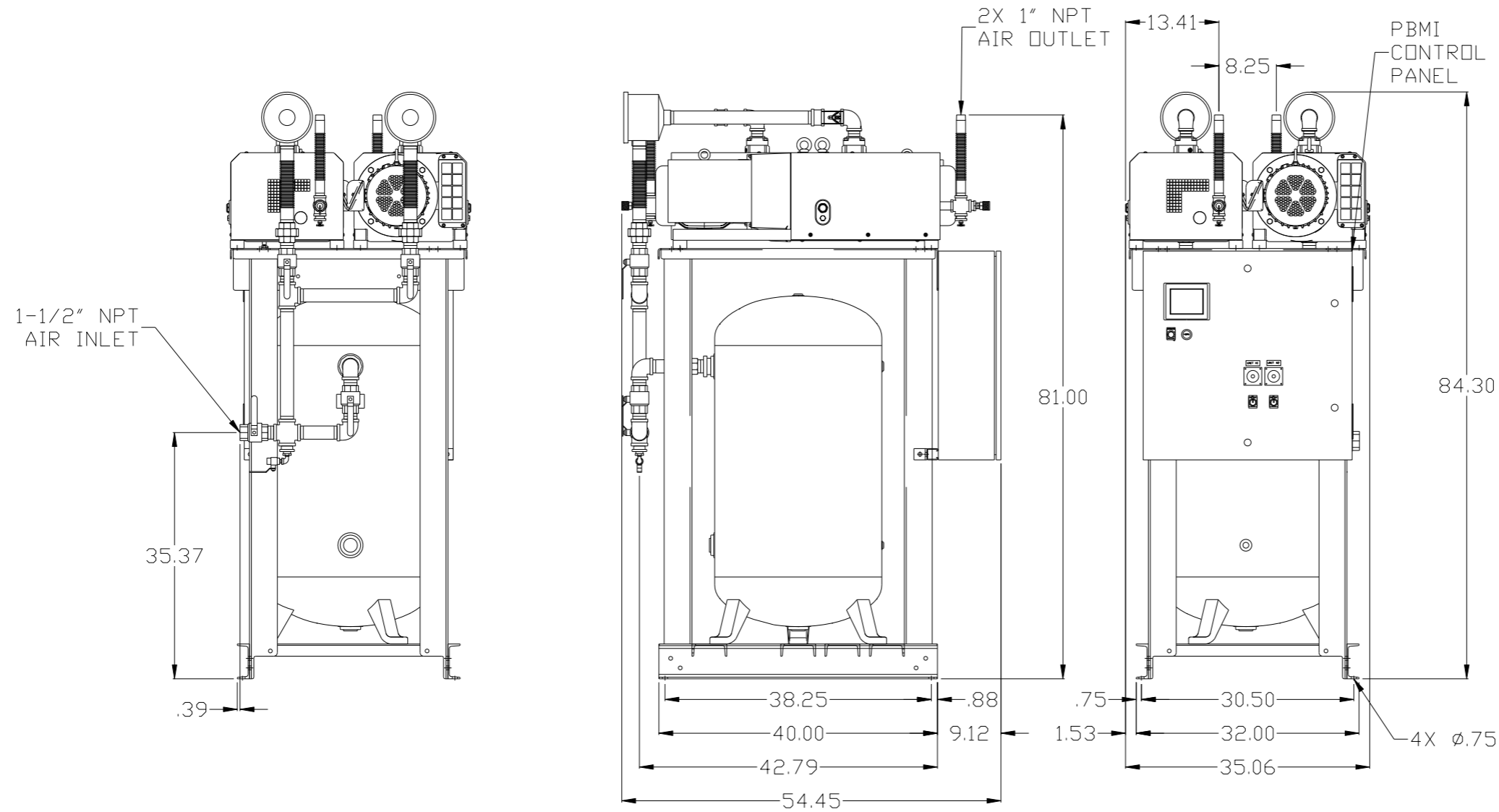
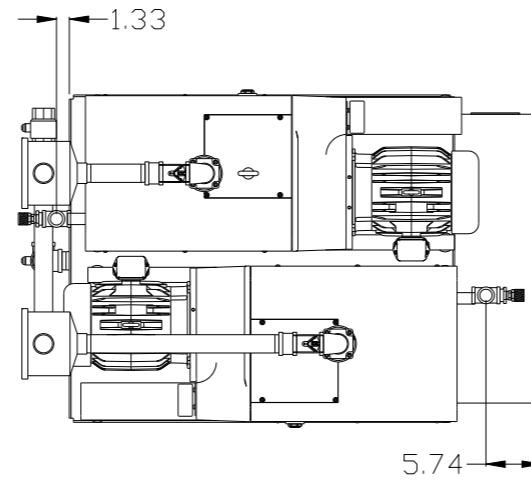
LEGEND

	TEMP. SWITCH		VACUUM SWITCH
	AIR FILTER		CHECK VALVE
	BALL VALVE		FLEX LINE
			UNION

NOTES:  
1) TSH - TEMPERATURE SWITCH HIGH  
2) PER NFPA THE SYSTEM WILL REQUIRE A SOURCE VALVE (SUPPLIED BY OTHERS).

<b>SYMBOL LEGEND</b> = MINUS DRAFT = PLUS DRAFT = ADDITIONAL CONTROL REQ'D = BRINELL HARDNESS		Drawings to conform to the current revision of the following ANSI standards: Y14.3 Multi and sectional view dsgs. Y14.5M Dimensioning and tolerancing	
TOLERANCES NOT SPECIFIED .XX ± .XXX ± <math>\angle</math> (DEG) ±		<b>DO NOT SCALE DRAWING FOR DIMENSIONS</b> Sheet 2 of 2 SCALE 1:10	
<b>CONFIDENTIAL DISCLOSURE</b> This drawing is the property of POWEREX, INC. of the SCOTT FITZGER COMPANY and subject to return on demand. Its contents are confidential and must not be copied or submitted to outside parties for use or examination.		DRAWN BY: AEK CHECKED BY: GES APPROVED BY: DMS, TZ DATE: 2/20/08, 2/20/08, 2/20/08, 2/20/08	
MATERIAL: N/A		 150 PRODUCTION DRIVE, HARRISON, OHIO 45030 Ph: 888-769-7979 FAX: (513) 367-3125	
PART NAME: DUPLEX CLAW VAC FLOW SCHEMATIC		DWG NO: CVTDO303V SIZE: D	

REV	ZONE	REVISION	DATE	ECN	NAME	CHKD
G-1	ALL	ADDED PBMI SHEETS	12/13/11	22610	AEK	GES
H-1	2 BS 2 ALL	ADDED SIGHT GAUGE ADDED SOURCE VALVE INFORMATION	11/19/12	22723	AEK	DMS
J-1	1 ALL	CORRECTED INLET PIPING SIZE SHOWN	4/11/13	PXEC0030	AEK	GES
K-1	ALL	MADE HIGH TEMP STANDARD IN BASIC CONTROLS	4/17/14	PXEC0048	AEK	GES
L-1	1 ALL	UPDATED PUMP TO CURRENT MANUFACTURER'S DRAWING	6/9/16	PXEC0139	AEK	GES

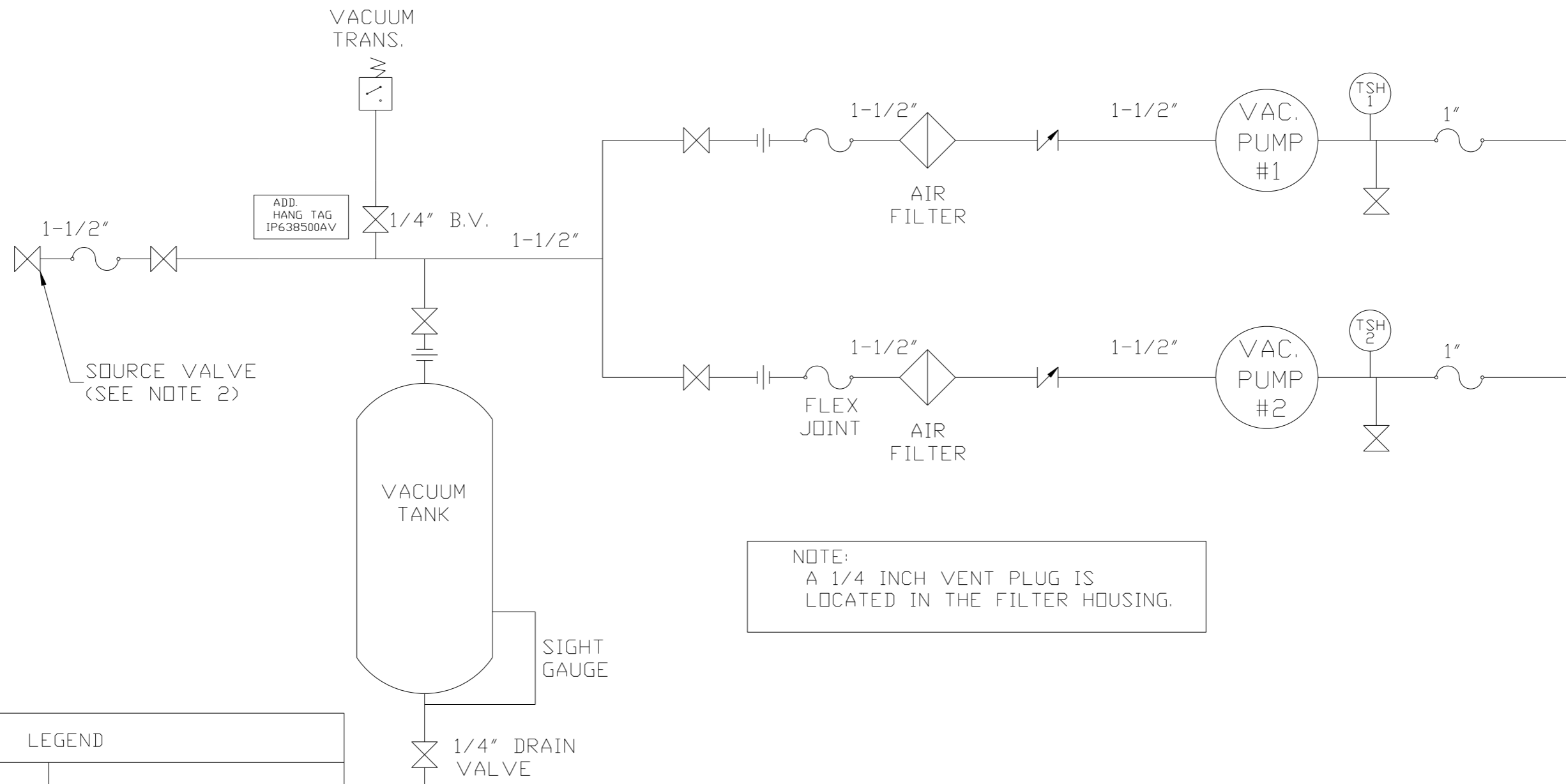


NOTE: SYSTEM DESIGNED IN COMPLIANCE WITH U.S. NFPA '99, LATEST EDITION.

NOTE: A MINIMUM OF 24" CLEARANCE IS RECOMMENDED AROUND THE ENTIRE UNIT.

SYMBOL LEGEND ⊖ = MINUS DRAFT ⊕ = PLUS DRAFT TOLERANCES NOT SPECIFIED .XX ± .XXX ± << DEG. > ±		⊕ = ADDITIONAL CONTROL REQ'D HRC = BRINELL HARDNESS		Drawings to conform to the current revision of the following ANSI standards: Y14.3 Multi and sectional view dgs. Y14.5M Dimensioning and tolerancing	
AUTOCAD REL2008 LT INCH		DO NOT SCALE DRAWING FOR DIMENSIONS Sheet 1 of 2 SCALE 1:10		CONFIDENTIAL DISCLOSURE This drawing is the property of POWEREX, INC. of the SCOTT FITZGER COMPANY and subject to return on demand. Its contents are confidential and must not be copied or submitted to outside parties for use or examination.	
DRAWN BY AEK		CHECKED BY GES		APPROVED BY ENGINEERING MFG/MRKTG DMS RJR	
MATERIAL N/A		DATE 12/13/11		DATE 12/13/11	
PART NAME DUPLEX VACUUM 3HP 80 GAL VERT		DWG NO CVTD0303V		SIZE D	

REV	ZONE	REVISION	DATE	ECN	NAME	CHKD
G-1	ALL	ADDED PBM1 SHEETS	12/13/11	22610	AEK	GES
H-1	2 BS 2 ALL	ADDED SIGHT GAUGE ADDED SOURCE VALVE INFORMATION	11/19/12	22723	AEK	DMS
J-1	1 ALL	CORRECTED INLET PIPING SIZE SHOWN	4/11/13	PXEC0030	AEK	GES
K-1	ALL	MADE HIGH TEMP STANDARD IN BASIC CONTROLS	4/17/14	PXEC0048	AEK	GES
L-1	1 ALL	UPDATED PUMP TO CURRENT MANUFACTURER'S DRAWING	6/9/16	PXEC0139	AEK	GES



NOTE:  
A 1/4 INCH VENT PLUG IS  
LOCATED IN THE FILTER HOUSING.

LEGEND

	TEMP. SWITCH		VACUUM SWITCH
	AIR FILTER		CHECK VALVE
	BALL VALVE		FLEX LINE
			UNION

NOTES:  
1) TSH - TEMPERATURE SWITCH HIGH  
2) PER NFPA THE SYSTEM WILL REQUIRE A SOURCE VALVE (SUPPLIED BY OTHERS).

<b>SYMBOL LEGEND</b> ⊖ = MINUS DRAFT    ⊕ = PLUS DRAFT ⊕ = ADDITIONAL CONTROL REQ'D HRC = BRINELL HARDNESS		Drawings to conform to the current revision of the following ANSI standards: Y14.3 Multi and sectional view dgs. Y14.5M Dimensioning and tolerancing	
TOLERANCES NOT SPECIFIED .XX ± .XXX ± <math>\angle</math> (DEG) ±		<b>DO NOT SCALE DRAWING FOR DIMENSIONS</b> Sheet 2 of 2    SCALE 1:10	
<b>CONFIDENTIAL DISCLOSURE</b> This drawing is the property of POWEREX, INC. of the SCOTT FITZGER COMPANY and subject to return on demand. Its contents are confidential and must not be copied or submitted to outside parties for use or examination.		DRAWN BY: AEK    CHECKED BY: GES    APPROVED BY: DMS, RJR 12/13/11    12/13/11    12/13/11    12/13/11	
MATERIAL: N/A		 150 PRODUCTION DRIVE, HARRISON, OHIO 45030 Ph: 888-769-7979 FAX: (513) 367-3125	
PART NAME: DUPLEX CLAW VAC FLOW SCHEMATIC		DWG NO: CVTDO303V    SIZE: D	