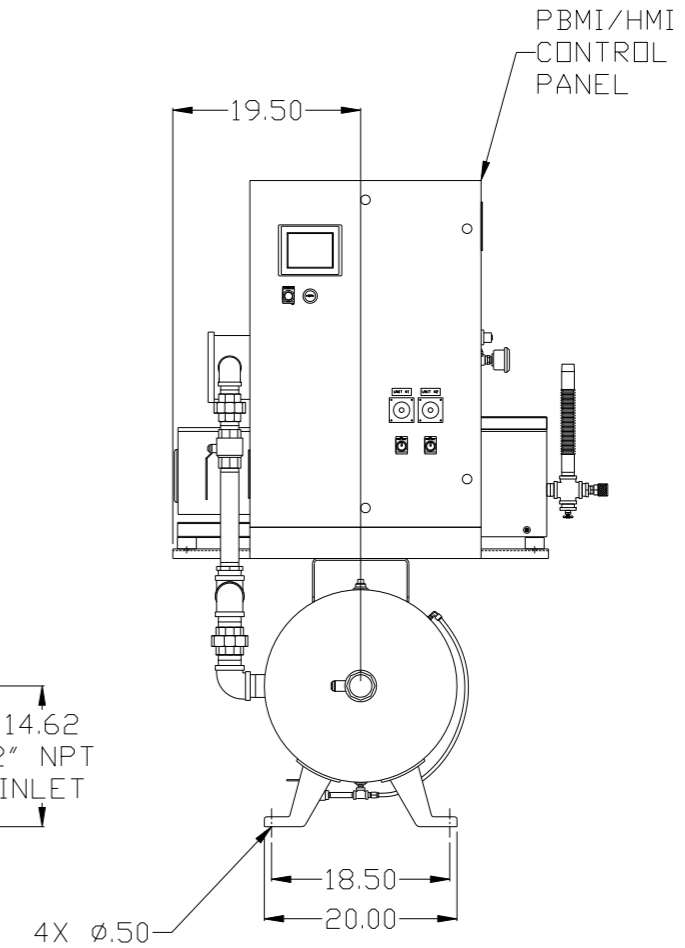
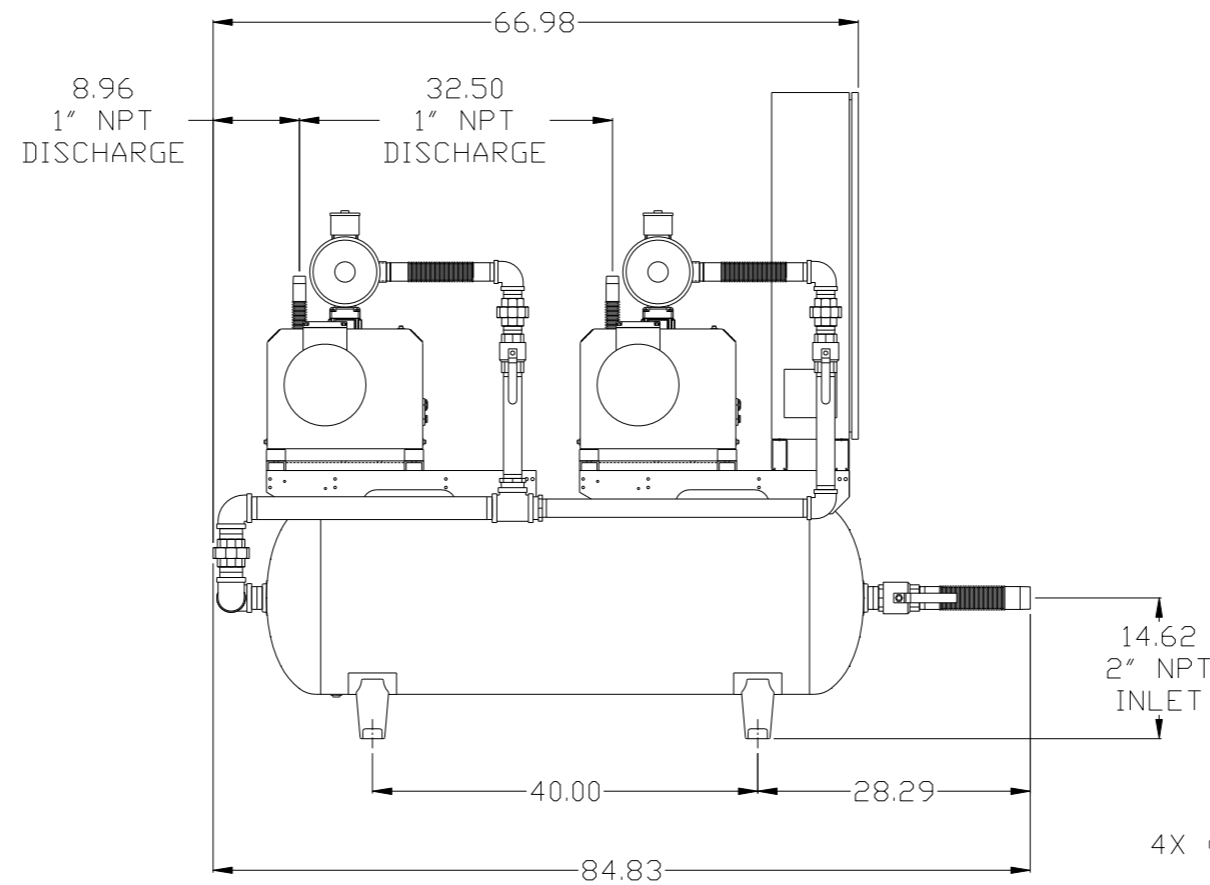
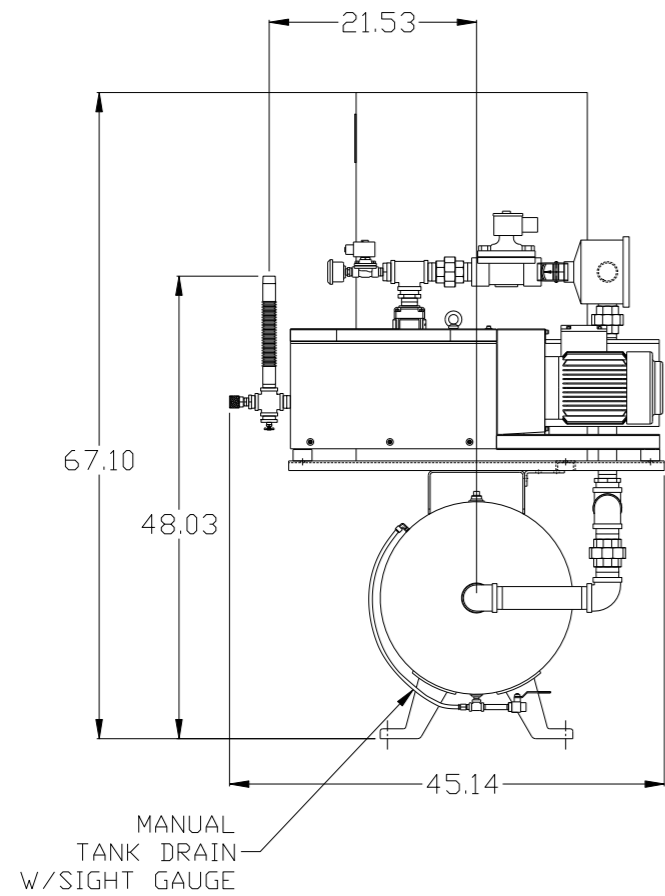


REV	ZONE	REVISION	DATE	ECN	NAME	CHKD
B-1	ALL	RELEASE TO PRODUCTION	1/7/13	PKE0003	GES	DMS
C-1	2 B3	CORRECTED AUTO-PURGE GROUP	06/27/16	PKE0017	MJD	GES



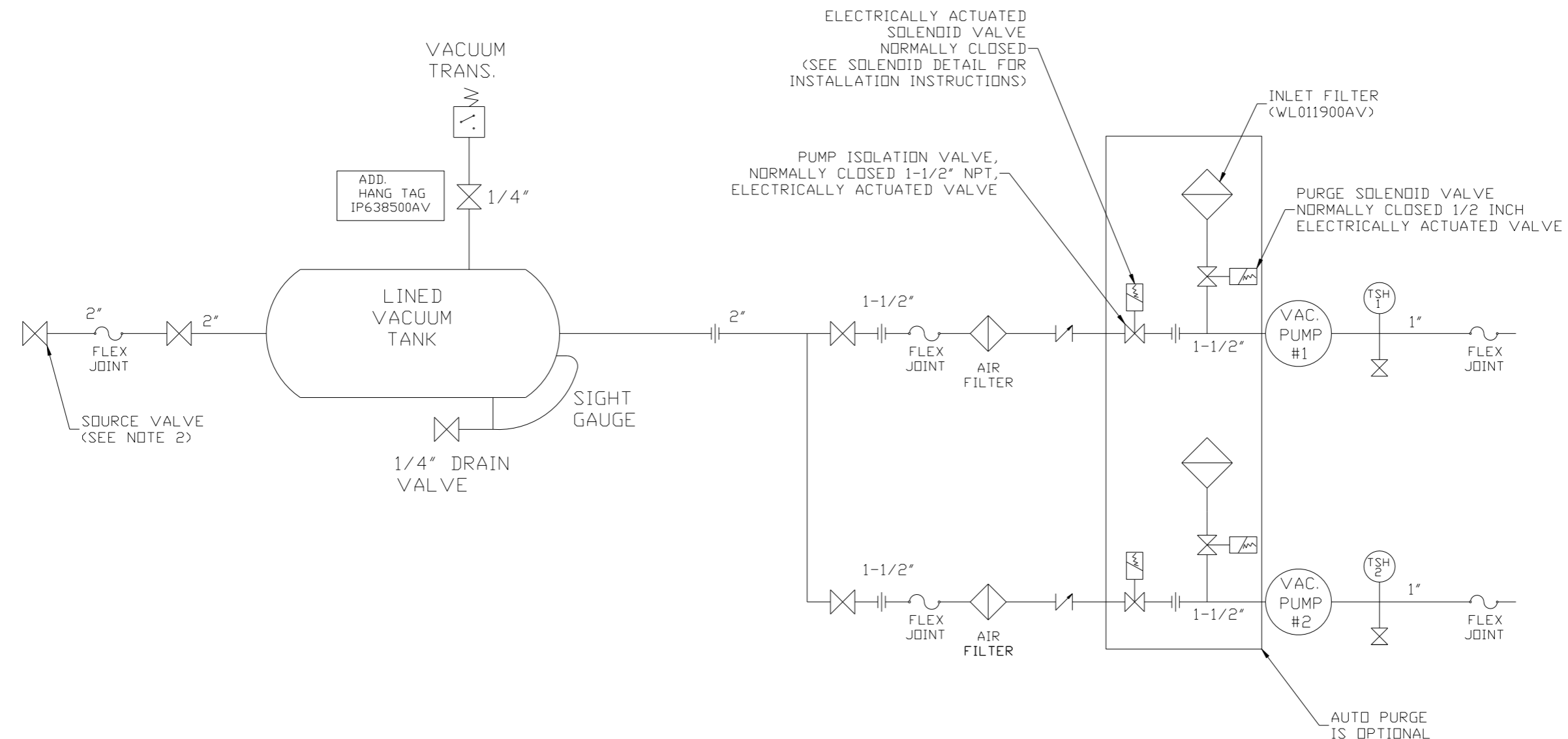
NOTE: AUTO PURGE IS OPTIONAL.

NOTE: A MINIMUM OF 24" CLEARANCE IS RECOMMENDED AROUND THE ENTIRE UNIT. THERE IS ALSO A MINIMUM RECOMMENDED ELECTRICAL PANEL CLEARANCE PER OSHA/ NEC.

NOTE: SYSTEM DESIGNED IN COMPLIANCE WITH U.S. NFPA '99, LATEST EDITION.

SYMBOL LEGEND		= ADDITIONAL CONTROL REQ'D		Drawings to conform to the current revision of the following ANSI standards:	
⊖	MINUS DRAFT	⊕	PLUS DRAFT	⊖	BRINELL HARDNESS
TOLERANCES NOT SPECIFIED		AUTOCAD REL2008 LT		DO NOT SCALE DRAWING FOR DIMENSIONS	
.XX ±		INCH		Sheet 1 of 2	SCALE 1:10
CONFIDENTIAL DISCLOSURE This drawing is the property of POWEREX, INC. of the SCOTT FETZER COMPANY and subject to return on demand. Its contents are confidential and must not be copied or submitted to outside parties for use or examination.					
DRAWN BY	CHECKED BY	APPROVED BY	ENGINEERING	MFG/MKTG	
GES	DMS	DMS	CT		
1/7/13	1/7/13	1/7/13	1/7/13		
MATERIAL		N/A			
PART NAME		3HP LAB CLAW VACUUM			
DUPLEX 80G TANK MOUNTED		DWG NO		LC0303	
		SIZE		D	

REV	ZONE	REVISION	DATE	ECN	NAME	CHK'D
B-1	ALL	RELEASE TO PRODUCTION	1/7/13	PKE0003	GES	DMS
C-1	2 B3	CORRECTED AUTO-PURGE GROUP	06/27/16	PKE0157	MJD	GES



NOTE:  
A 1/4 INCH VENT PLUG IS LOCATED IN THE FILTER HOUSING.

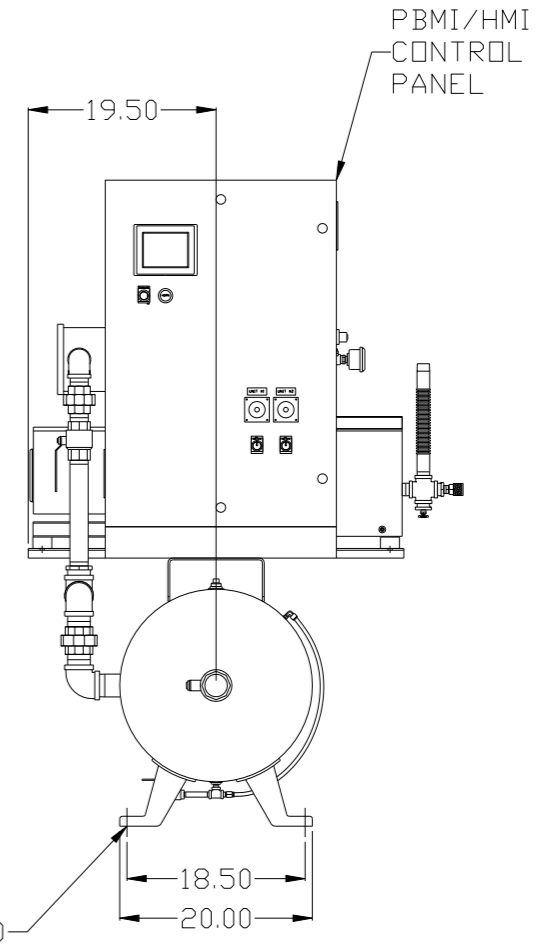
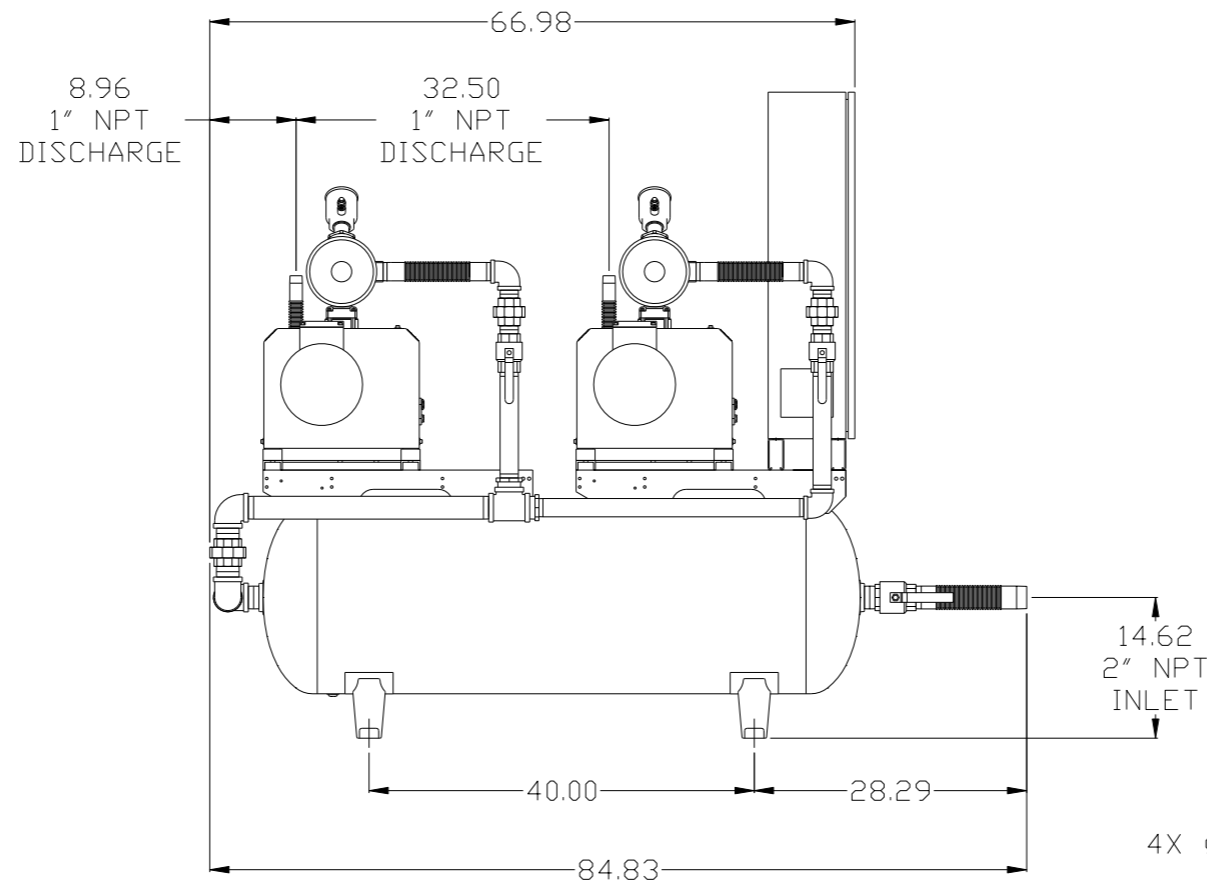
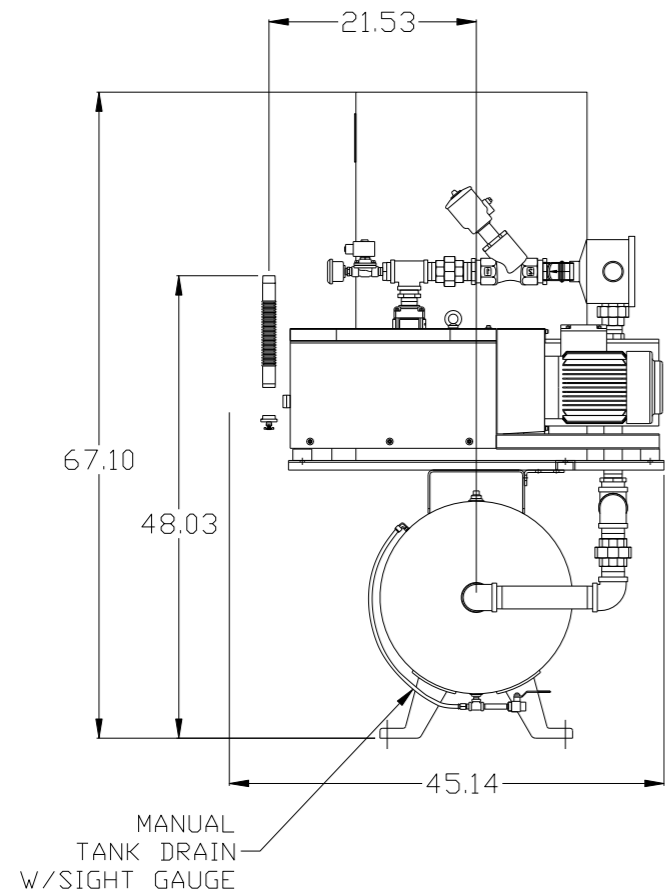
LEGEND

	TEMP. SWITCH		VACUUM SWITCH
	BUTTERFLY VALVE		CHECK VALVE
	AIR FILTER		FLEX LINE
	BALL VALVE		UNION

NOTE:  
1) TSH - TEMPERATURE SWITCH HIGH  
2) PER NFPA THE SYSTEM WILL REQUIRE A SOURCE VALVE (SUPPLIED BY OTHERS).

SYMBOL LEGEND		= ADDITIONAL CONTROL REQ'D		Drawings to conform to the current revision of the following ANSI standards:	
⊖	MINUS DRAFT	⊕	PLUS DRAFT	⊖	BRINELL HARDNESS
TOLERANCES NOT SPECIFIED		AUTOCAD REL2008 LT		DO NOT SCALE DRAWING FOR DIMENSIONS	
.XX ±		INCH		Sheet 2 of 2	SCALE 1:10
<small>CONFIDENTIAL DISCLOSURE: This drawing is the property of POWEREX, INC. of the SCOTT FETZER COMPANY and subject to return on demand. Its contents are confidential and must not be copied or submitted to outside parties for use or examination.</small>					
DRAWN BY		CHECKED BY		APPROVED BY	
GES		DMS		DMS CT	
1/7/13		1/7/13		1/7/13 1/7/13	
MATERIAL		N/A			
PART NAME		DUPLX LAB VACUUM		<small>150 PRODUCTION DRIVE, HARRISON, OHIO 45030 Ph: 888-769-7979 FAX: (513) 367-3125</small>	
DWG NO		LCO0303		SIZE D	
FLOW SCHEMATIC				LCO0303B.dwg	

REV	ZONE	REVISION	DATE	ECN	NAME	CHKD
B-1	ALL	RELEASE TO PRODUCTION	1/7/13	PKE0003	GES	DMS
C-1	2 B3	CORRECTED AUTO-PURGE GROUP	06/27/16	PKE0157	MJD	GES



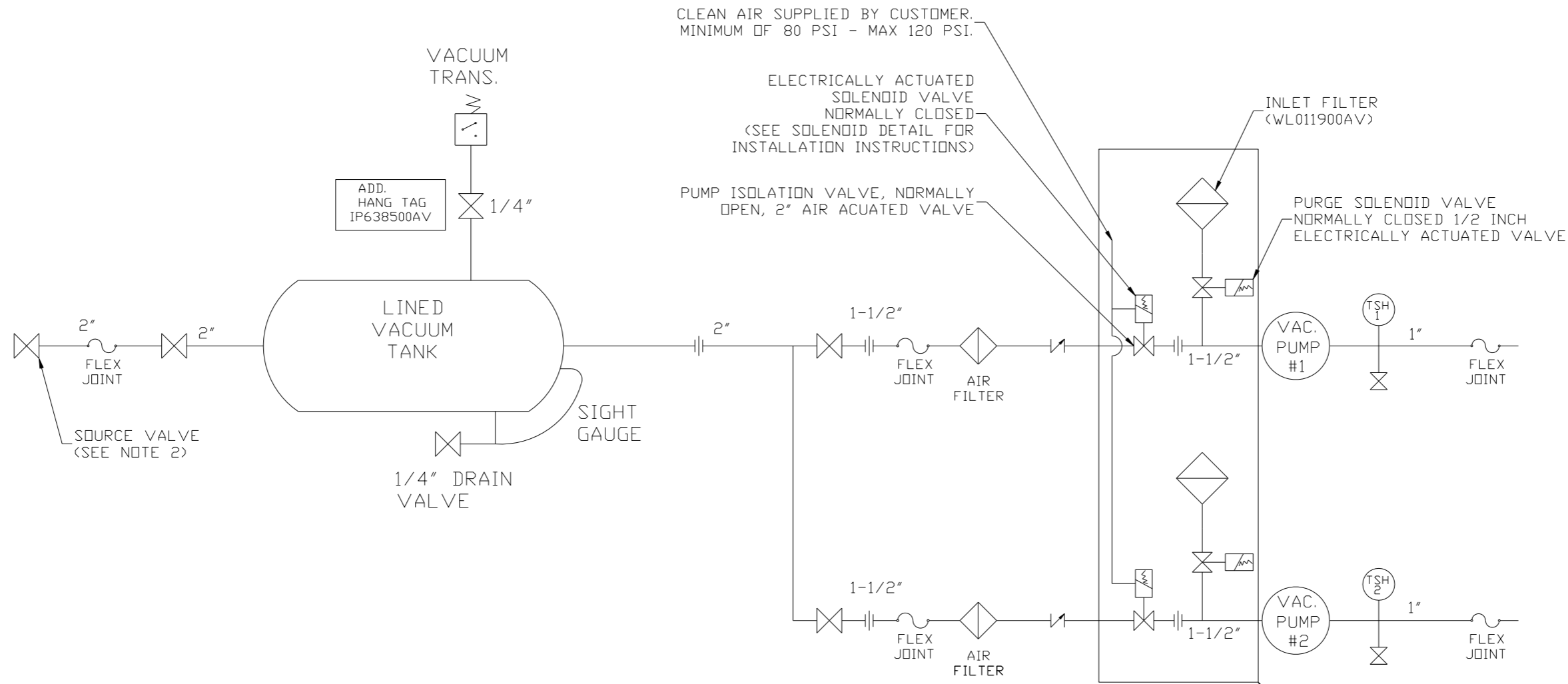
NOTE: AUTO PURGE IS OPTIONAL.

NOTE: A MINIMUM OF 24" CLEARANCE IS RECOMMENDED AROUND THE ENTIRE UNIT. THERE IS ALSO A MINIMUM RECOMMENDED ELECTRICAL PANEL CLEARANCE PER OSHA/ NEC.

NOTE: SYSTEM DESIGNED IN COMPLIANCE WITH U.S. NFPA '99, LATEST EDITION.

SYMBOL LEGEND		DRAWINGS TO CONFORM TO THE CURRENT REVISION OF THE FOLLOWING ANSI STANDARDS	
⊖ = MINUS DRAFT	⊕ = PLUS DRAFT	⊕ = ADDITIONAL CONTROL REQ'D	⊕ = BRINELL HARDNESS
TOLERANCES NOT SPECIFIED		DO NOT SCALE DRAWING FOR DIMENSIONS	
.XX ±	.XXX ±	AUTOCAD REL2008 LT	Sheet 1 of 2
<DEG> ±		INCH	SCALE 1:10
CONFIDENTIAL DISCLOSURE This drawing is the property of POWEREX, INC. of the SCOTT FETZER COMPANY and subject to return on demand. Its contents are confidential and must not be copied or submitted to outside parties for use or examination.			
DRAWN BY	CHECKED BY	APPROVED BY	MFG/MKTG
GES	DMS	DMS	CT
1/7/13	1/7/13	1/7/13	1/7/13
MATERIAL N/A		 150 PRODUCTION DRIVE, HARRISON, OHIO 45030 Ph: 888-769-7979 FAX: (513) 367-3125	
PART NAME			
3HP LAB CLAW VACUUM			
DUPLEX 80G TANK MOUNTED		DWG NO	SIZE
		LCD0303	D

REV	ZONE	REVISION	DATE	ECN	NAME	CHKD
B-1	ALL	RELEASE TO PRODUCTION	1/7/13	PXEC000	GES	DMS
C-1	2 B3	CORRECTED AUTO-PURGE GROUP	06/27/16	PXEC0157	MJD	GES



CLEAN AIR SUPPLIED BY CUSTOMER.  
MINIMUM OF 80 PSI - MAX 120 PSI.

ELECTRICALLY ACTUATED  
SOLENOID VALVE  
NORMALLY CLOSED  
(SEE SOLENOID DETAIL FOR  
INSTALLATION INSTRUCTIONS)

PUMP ISOLATION VALVE, NORMALLY  
OPEN, 2" AIR ACUATED VALVE

INLET FILTER  
(WL011900AV)

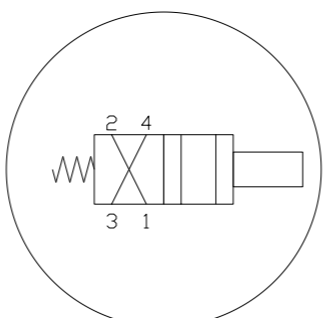
PURGE SOLENOID VALVE  
NORMALLY CLOSED 1/2 INCH  
ELECTRICALLY ACTUATED VALVE

NOTE:  
A 1/4 INCH VENT PLUG IS  
LOCATED IN THE FILTER HOUSING.

AUTO PURGE  
IS OPTIONAL

LEGEND

	TEMP. SWITCH		VACUUM SWITCH
	BUTTERFLY VALVE		CHECK VALVE
	AIR FILTER		FLEX LINE
	BALL VALVE		UNION

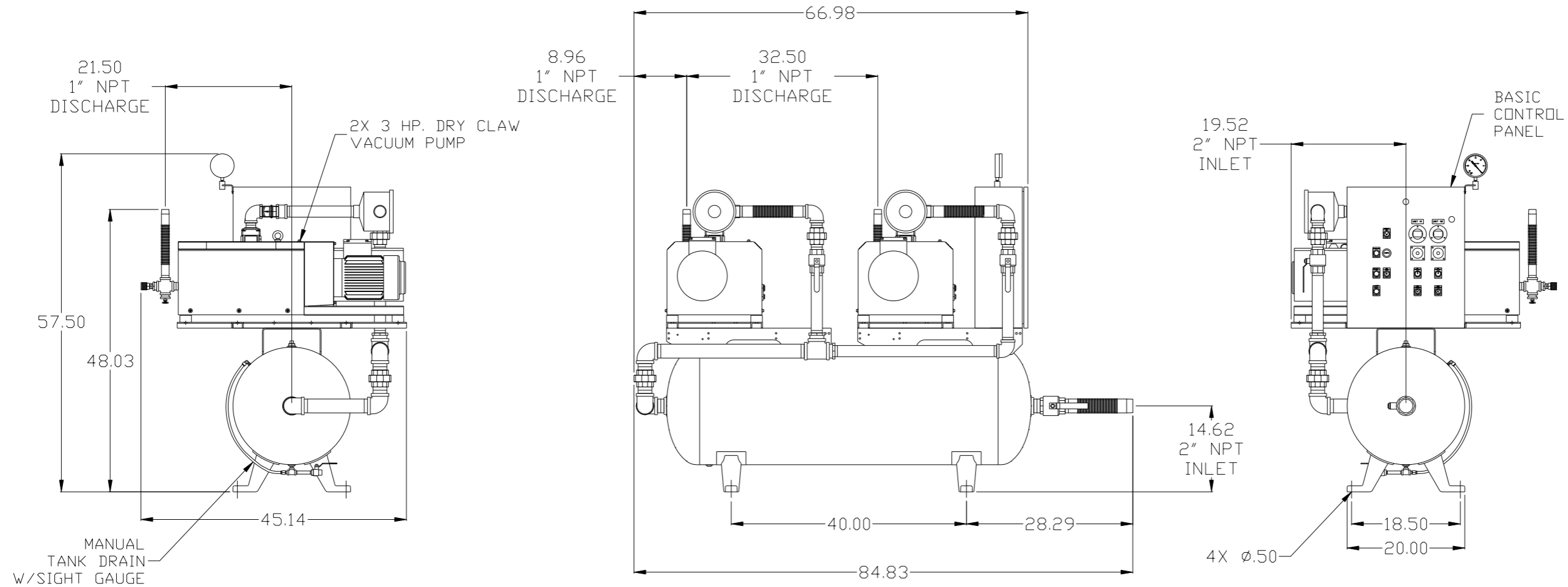


SOLENOID DETAIL:  
1) VALVE - INPUT #1  
2) MUFFLER - INPUT #2  
3) SUPPLY AIR - INPUT #4

NOTE:  
1) TSH - TEMPERATURE SWITCH HIGH  
2) PER NFPA THE SYSTEM WILL REQUIRE A SOURCE VALVE (SUPPLIED BY OTHERS).

SYMBOL LEGEND			= ADDITIONAL CONTROL	Drawings to conform to the current revision of the following ANSI standards:
	= MINUS DRAFT		= BRINELL HARDNESS	Y14.3 Multi and sectional view dgs. Y14.5M Dimensioning and tolerancing
TOLERANCES NOT SPECIFIED		DO NOT SCALE DRAWING FOR DIMENSIONS		
.XX ±	AUTOCAD REL2008 LT	Sheet 2 of 2		SCALE 1:10
.XXX ±	INCH			
<<DEG.> ±				
CONFIDENTIAL DISCLOSURE This drawing is the property of POWEREX, INC. of the SCOTT FETZER COMPANY and subject to return on demand. Its contents are confidential and must not be copied or submitted to outside parties for use or examination.				
DRAWN BY	CHECKED BY	APPROVED BY	MFG/MRKTG	
GES	DMS	DMS	CT	
1/7/13	1/7/13	1/7/13	1/7/13	
MATERIAL N/A				
PART NAME DUPLEX LAB VACUUM				
150 PRODUCTION DRIVE, HARRISON, OHIO 45030 Ph: 888-769-7979 FAX: (513) 367-3125				
DWG NO LCD0303			SIZE D	

REV	ZONE	REVISION	DATE	ECN	NAME	CHKD
B-1	ALL	RELEASE TO PRODUCTION	1/7/13	PKE0003	GES	DMS
C-1	2 B3	CORRECTED AUTO-PURGE GROUP	06/27/16	PKE0017	MJD	GES



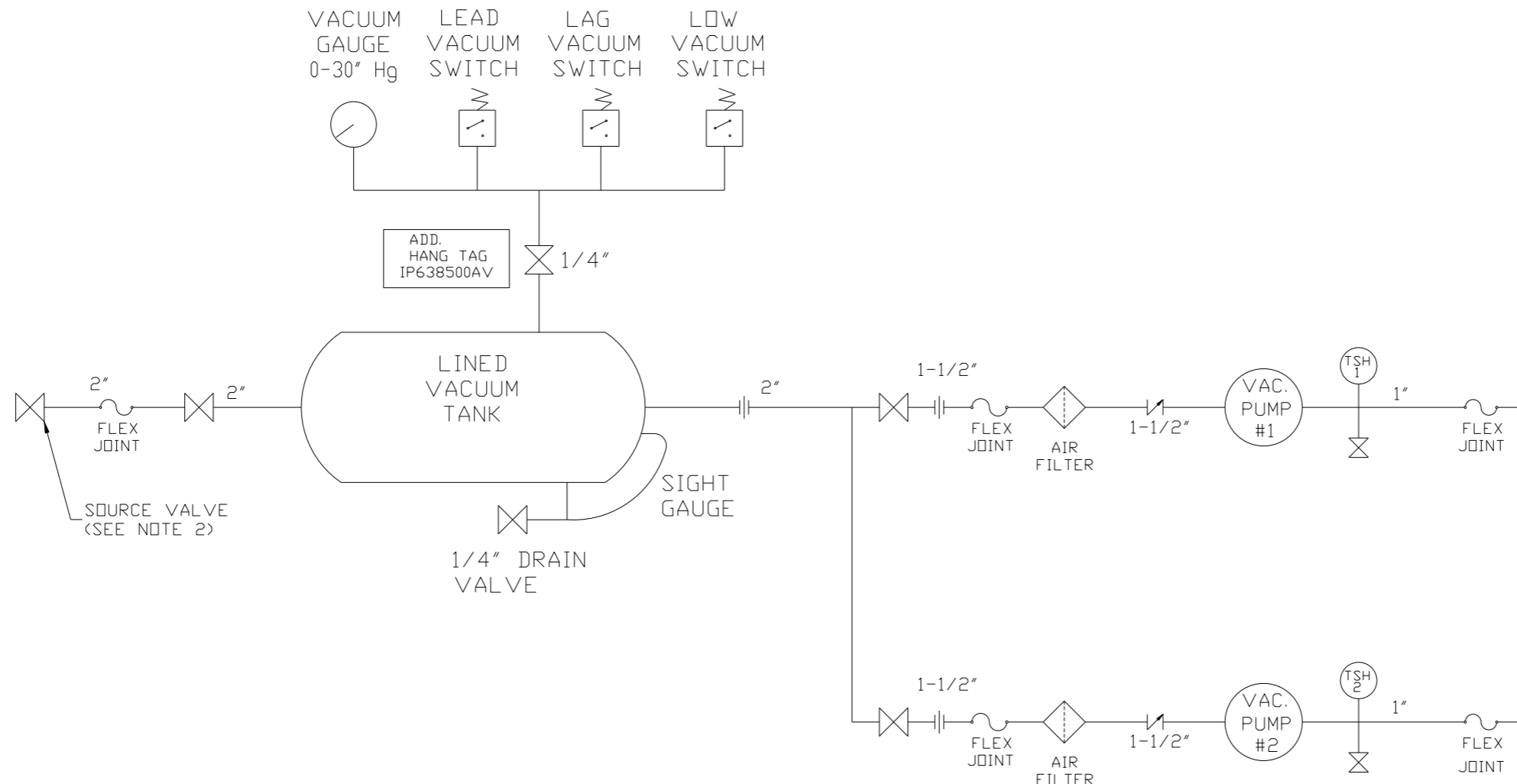
NOTE: AUTO PURGE IS OPTIONAL.

NOTE: A MINIMUM OF 24" CLEARANCE IS RECOMMENDED AROUND THE ENTIRE UNIT. THERE IS ALSO A MINIMUM RECOMMENDED ELECTRICAL PANEL CLEARANCE PER OSHA/ NEC.

NOTE: SYSTEM DESIGNED IN COMPLIANCE WITH U.S. NFPA '99, LATEST EDITION.

SYMBOL LEGEND		ADDITIONAL CONTROL REQ'D		Drawings to conform to the current revision of the following ANSI standards:	
$\ominus$	MINUS DRAFT	$\nabla$	ADDITIONAL CONTROL REQ'D	ANSI standards	
$\oplus$	PLUS DRAFT	$\text{HRC}$	BRINELL HARDNESS	Y14.3 Multi and sectional view dgs. Y14.5M Dimensioning and tolerancing	
TOLERANCES NOT SPECIFIED		AUTOCAD REL2008 LT		DO NOT SCALE DRAWING FOR DIMENSIONS	
.XX $\pm$		INCH		Sheet 1 of 2	SCALE 1:10
CONFIDENTIAL DISCLOSURE This drawing is the property of POWEREX, INC. of the SCOTT FETZER COMPANY and subject to return on demand. Its contents are confidential and must not be copied or submitted to outside parties for use or examination.					
DRAWN BY	CHECKED BY	APPROVED BY	ENGINEERING	MFG/MKTG	
GES	DMS	DMS	CT		
1/7/13	1/7/13	1/7/13	1/7/13		
MATERIAL		N/A			
PART NAME		3HP LAB CLAW VACUUM			
DUPLEX 80G TANK MOUNTED		DWG NO		LC00303	
		SIZE		D	

REV	ZONE	REVISION	DATE	ECN	NAME	CHKD
B-1	ALL	RELEASE TO PRODUCTION	1/7/13	PKE0003	GES	DMS
C-1	2 B3	CORRECTED AUTO-PURGE GROUP	06/27/16	PKE0017	MJD	GES



NOTE:  
A 1/4 INCH VENT PLUG IS  
LOCATED IN THE FILTER HOUSING.

LEGEND

	TEMP. SWITCH		VACUUM SWITCH
	BUTTERFLY VALVE		CHECK VALVE
	AIR FILTER		FLEX LINE
	BALL VALVE		UNION

NOTE:  
1) TSH - TEMPERATURE SWITCH HIGH  
2) PER NFPA THE SYSTEM WILL REQUIRE A SOURCE VALVE (SUPPLIED BY OTHERS).

SYMBOL LEGEND			= ADDITIONAL CONTROL REQ'D		Drawings to conform to the current revision of the following ANSI standards: Y14.3 Multi and sectional view dgs. Y14.5M Dimensioning and tolerancing
	= MINUS DRAFT		= BRINELL HARDNESS		
TOLERANCES NOT SPECIFIED		AUTOCAD REL2008 LT	DO NOT SCALE DRAWING FOR DIMENSIONS		
.XX ±		INCH	Sheet 2 of 2	SCALE	1:10
CONFIDENTIAL DISCLOSURE This drawing is the property of POWEREX, INC. of the SCOTT FETZER COMPANY and subject to return on demand. Its contents are confidential and must not be copied or submitted to outside parties for use or examination.					
DRAWN BY	CHECKED BY	APPROVED BY		MFG/MRKTG	
GES	DMS	DMS		CT	
1/7/13	1/7/13	1/7/13		1/7/13	
MATERIAL		N/A			
PART NAME		DUPLEX LAB VACUUM FLOW SCHEMATIC		150 PRODUCTION DRIVE, HARRISON, OHIO 45030 Ph: 888-769-7979 FAX: (513) 367-3125	
DWG NO		LCD0303		SIZE D	