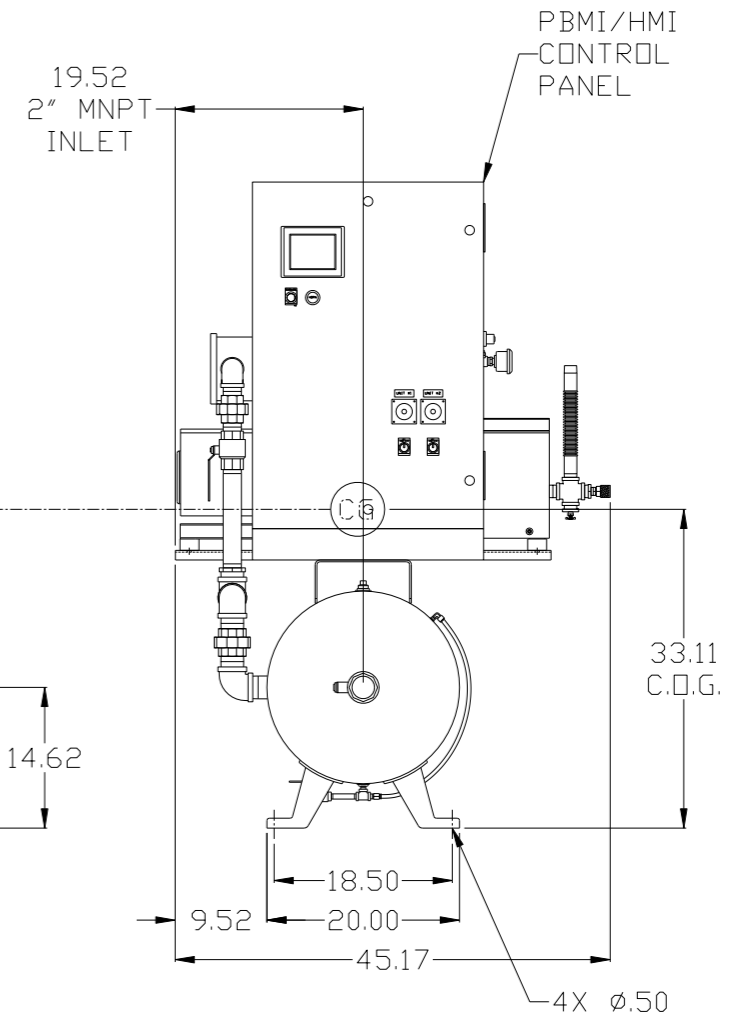
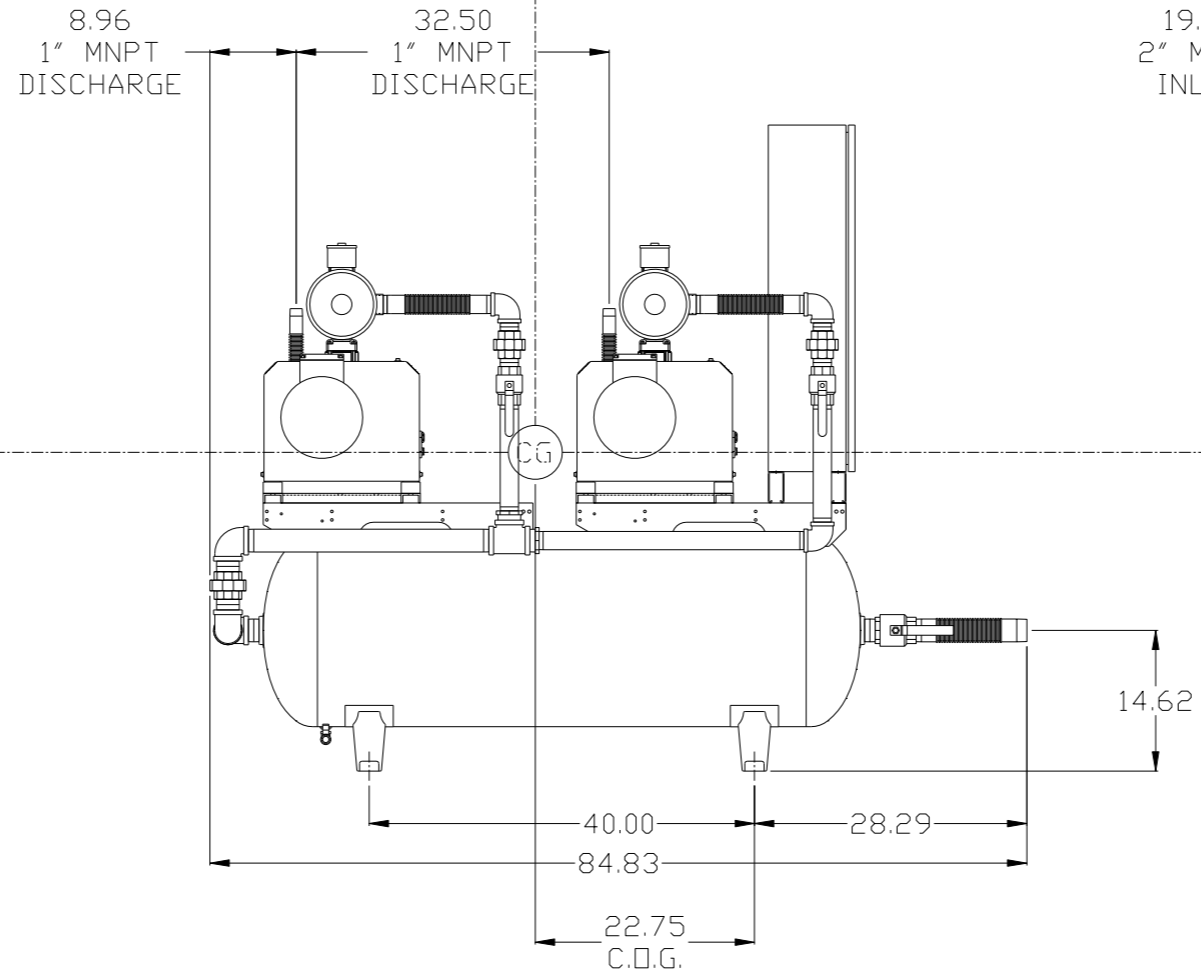
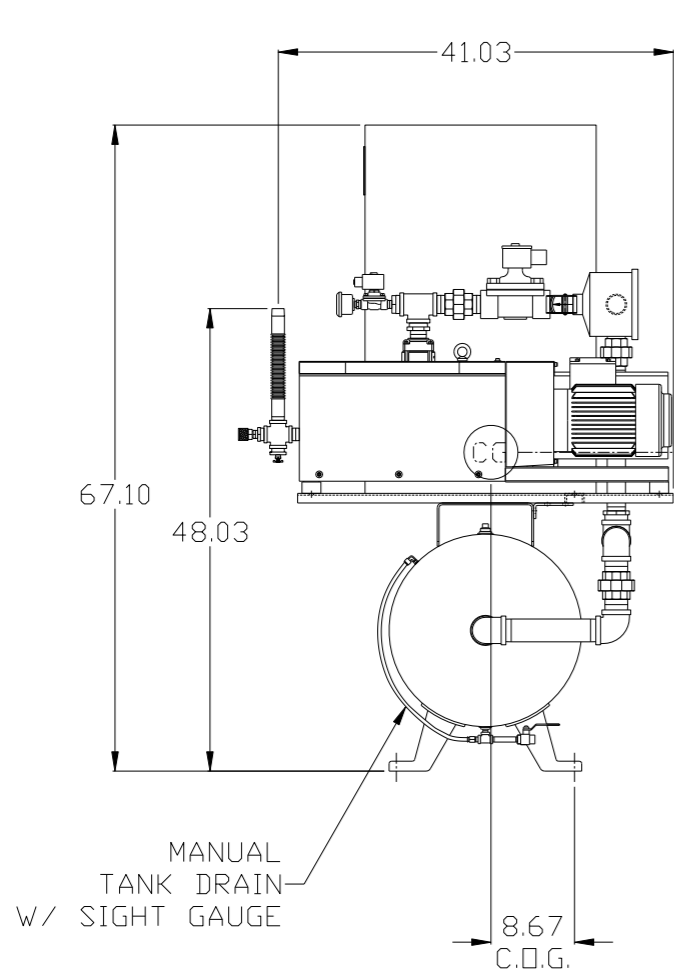
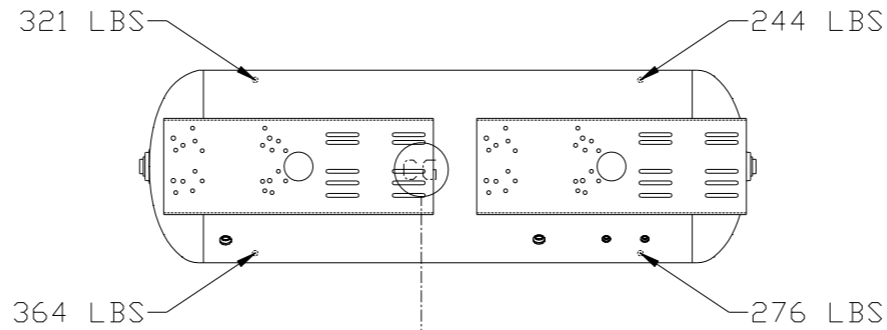


REV	ZONE	REVISION	DATE	ECN	NAME	CHKD
B-1	ALL	RELEASE TO PRODUCTION	1/7/13	PXEC0003	GES	DMS
C-1	1 ALL	ADDED CENTER OF GRAVITY INFORMATION	5/14/15	PXEC0093	AEK	GES
D-1	2 B3	CORRECTED AUTO-PURGE GROUP	06/27/16	PXEC0157	MJD	GES



CENTER OF GRAVITY:  
(W/ ELECTRIC AUTO PURGE INSTALLED)  
TOTAL WEIGHT: 1205 LBS  
DIMENSIONS  
X (FRONT): 8.67"  
Y (RIGHT): 22.75"  
Z (HEIGHT): 33.11"

NOTE: A MINIMUM OF 24" CLEARANCE IS RECOMMENDED AROUND THE ENTIRE UNIT. THERE IS ALSO A MINIMUM RECOMMENDED ELECTRICAL PANEL CLEARANCE PER OSHA/ NEC.

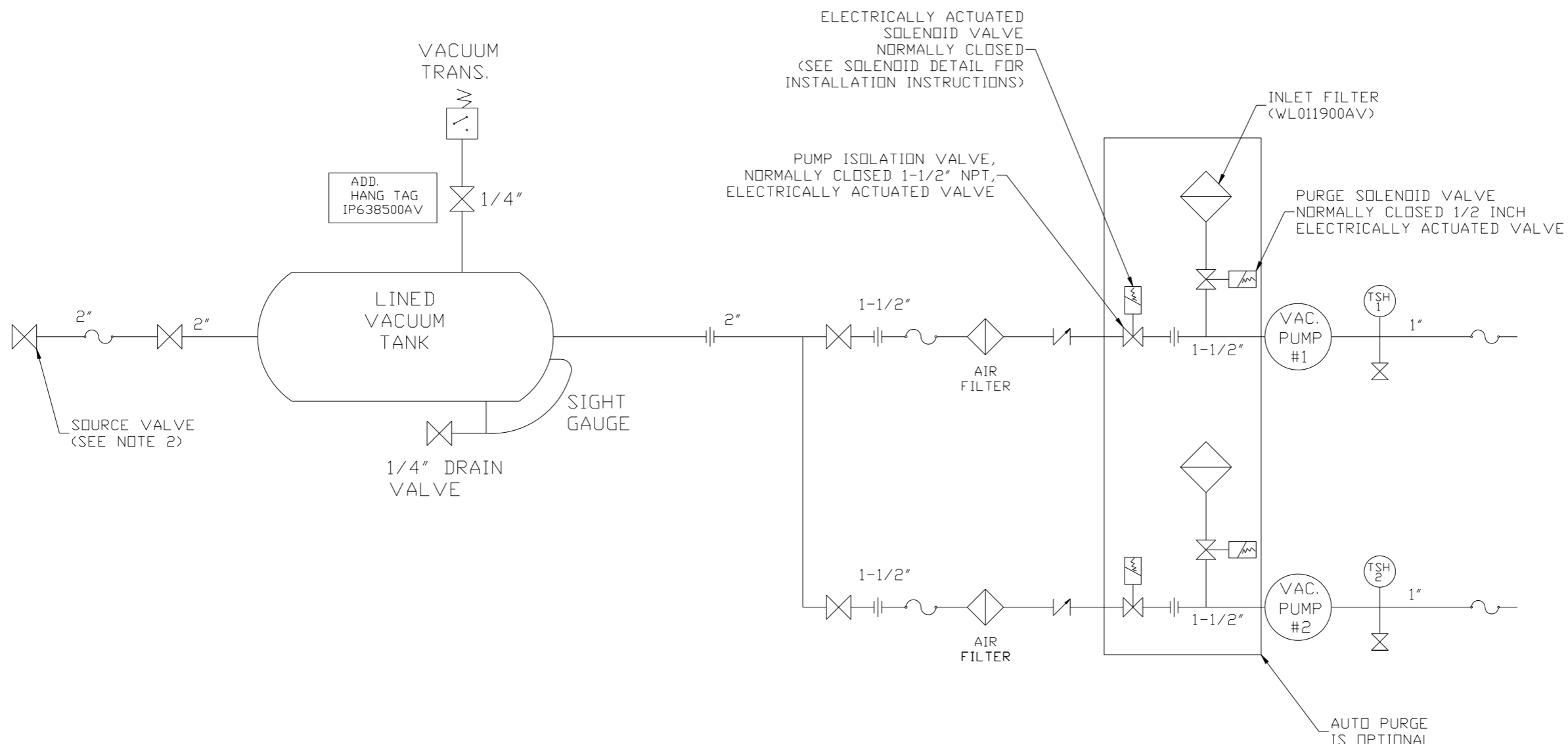
NOTE: AUTO PURGE IS OPTIONAL.

⊙ CG DENOTES CENTER OF GRAVITY

NOTE: SYSTEM DESIGNED IN COMPLIANCE WITH U.S. NFPA '99, LATEST EDITION.

SYMBOL LEGEND		DRAWINGS TO CONFORM TO THE CURRENT REVISION OF THE FOLLOWING ANSI STANDARDS	
⊖ = MINUS DRAFT	⊕ = PLUS DRAFT	⊕ = ADDITIONAL CONTROL REQ'D	⊕ = BRINELL HARDNESS
TOLERANCES NOT SPECIFIED		DO NOT SCALE DRAWING FOR DIMENSIONS	
.XX ±	.XXX ±	AUTOCAD REL2008 LT	SCALE 1:10
<<DEG> ±			
CONFIDENTIAL DISCLOSURE		Sheet 1 of 2	
This drawing is the property of POWEREX, INC. of the SCOTT FETZER COMPANY and subject to return on demand. Its contents are confidential and must not be copied or submitted to outside parties for use or examination.		DRAWN BY: GES	
		CHECKED BY: DMS	
		APPROVED BY: DMS	
		MFG/MKTG: CT	
		1/7/13 1/7/13 1/7/13 1/7/13	
MATERIAL: N/A			
PART NAME: SHP LAB CLAW VACUUM			
DUPLEX 80G TANK MOUNTED			
		DWG NO: LCD0503	
		SIZE: D	

REV	ZONE	REVISION	DATE	ECN	NAME	CHKD
B-1	ALL	RELEASE TO PRODUCTION	1/7/13	PXEC0003	GES	DMS
C-1	1 ALL	ADDED CENTER OF GRAVITY INFORMATION	5/14/15	PXEC0093	AEK	GES
D-1	2 B3	CORRECTED AUTO-PURGE GROUP	06/27/16	PXEC0157	MJD	GES



ELECTRICALLY ACTUATED SOLENOID VALVE NORMALLY CLOSED (SEE SOLENOID DETAIL FOR INSTALLATION INSTRUCTIONS)

PUMP ISOLATION VALVE, NORMALLY CLOSED 1-1/2" NPT, ELECTRICALLY ACTUATED VALVE

INLET FILTER (WL011900AV)

PURGE SOLENOID VALVE NORMALLY CLOSED 1/2 INCH ELECTRICALLY ACTUATED VALVE

SOURCE VALVE (SEE NOTE 2)

ADD. HANG TAG IP638500AV

LINED VACUUM TANK

SIGHT GAUGE

1/4" DRAIN VALVE

NOTE:  
A 1/4 INCH VENT PLUG IS LOCATED IN THE FILTER HOUSING.

AUTO PURGE IS OPTIONAL

LEGEND

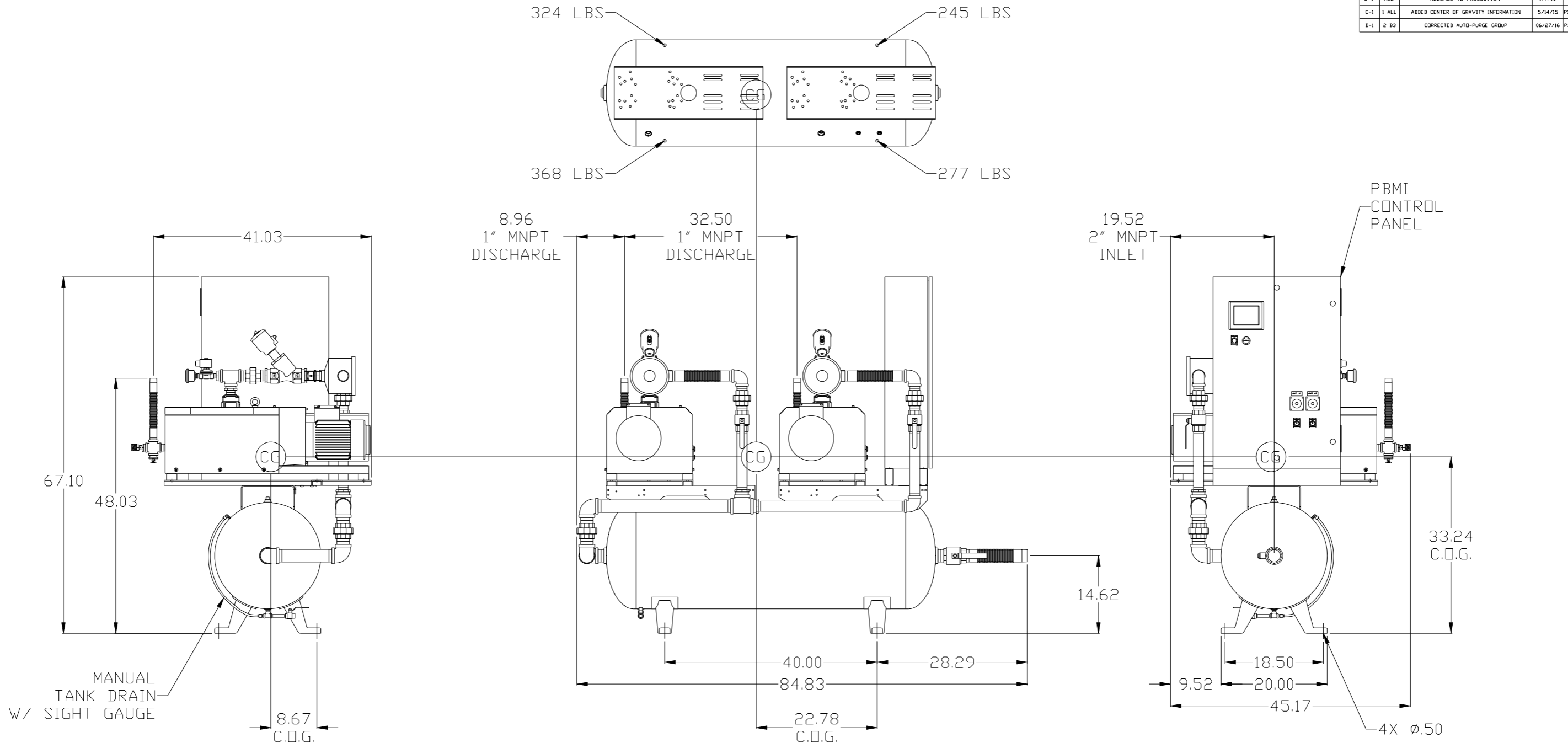
	TEMP. SWITCH		VACUUM SWITCH
	BUTTERFLY VALVE		CHECK VALVE
	AIR FILTER		FLEX LINE
	BALL VALVE		UNION

NOTE:  
1) TSH - TEMPERATURE SWITCH HIGH  
2) PER NFPA THE SYSTEM WILL REQUIRE A SOURCE VALVE (SUPPLIED BY OTHERS).

SYMBOL LEGEND		AUTOCAD REL2008 LT		DO NOT SCALE DRAWING FOR DIMENSIONS	
⊖	MINUS DRAFT	INCH	SCALE	Sheet 2 of 2	1:10
⊕	PLUS DRAFT	TOLERANCES NOT SPECIFIED			
⊖	ADDITIONAL CONTROL REQ'D	DRAWN BY: GES			
⊕	BRINELL HARDNESS	CHECKED BY: DMS			
DRAWINGS TO CONFORM TO THE CURRENT REVISION OF THE FOLLOWING ANSI STANDARDS: Y14.3 Multi and sectional view dgs. Y14.5M Dimensioning and tolerancing		APPROVED BY: DMS			
CONFIDENTIAL DISCLOSURE This drawing is the property of POWEREX, INC. of the SCOTT FETZER COMPANY and subject to return on demand. Its contents are confidential and must not be copied or submitted to outside parties for use or examination.		DATE: 1/7/13			
MATERIAL: N/A		DATE: 1/7/13			
PART NAME: DUPLEX LAB VACUUM FLOW SCHEMATIC		DATE: 1/7/13			
DWG NO: LCD0503		DATE: 1/7/13			
SIZE: D		DATE: 1/7/13			

REV	ZONE	REVISION	DATE	ECN	NAME	CHKD
B-1	ALL	RELEASE TO PRODUCTION	1/7/13	PXEC0003	GES	DMS
C-1	1 ALL	ADDED CENTER OF GRAVITY INFORMATION	5/14/15	PXEC0093	AEK	GES
D-1	2 B3	CORRECTED AUTO-PURGE GROUP	06/27/16	PXEC0157	MJD	GES

8 | 7 | 6 | 5 | 4 | 3 | 2 | 1



MANUAL TANK DRAIN W/ SIGHT GAUGE

PBMI CONTROL PANEL

CENTER OF GRAVITY:  
(W/ AUTO PURGE INSTALLED)  
TOTAL WEIGHT: 1215 LBS  
DIMENSIONS  
X (FRONT): 8.67"  
Y (RIGHT): 22.78"  
Z (HEIGHT): 33.24"

NOTE: AUTO PURGE IS OPTIONAL.

NOTE: A MINIMUM OF 24" CLEARANCE IS RECOMMENDED AROUND THE ENTIRE UNIT. THERE IS ALSO A MINIMUM RECOMMENDED ELECTRICAL PANEL CLEARANCE PER OSHA/ NEC.

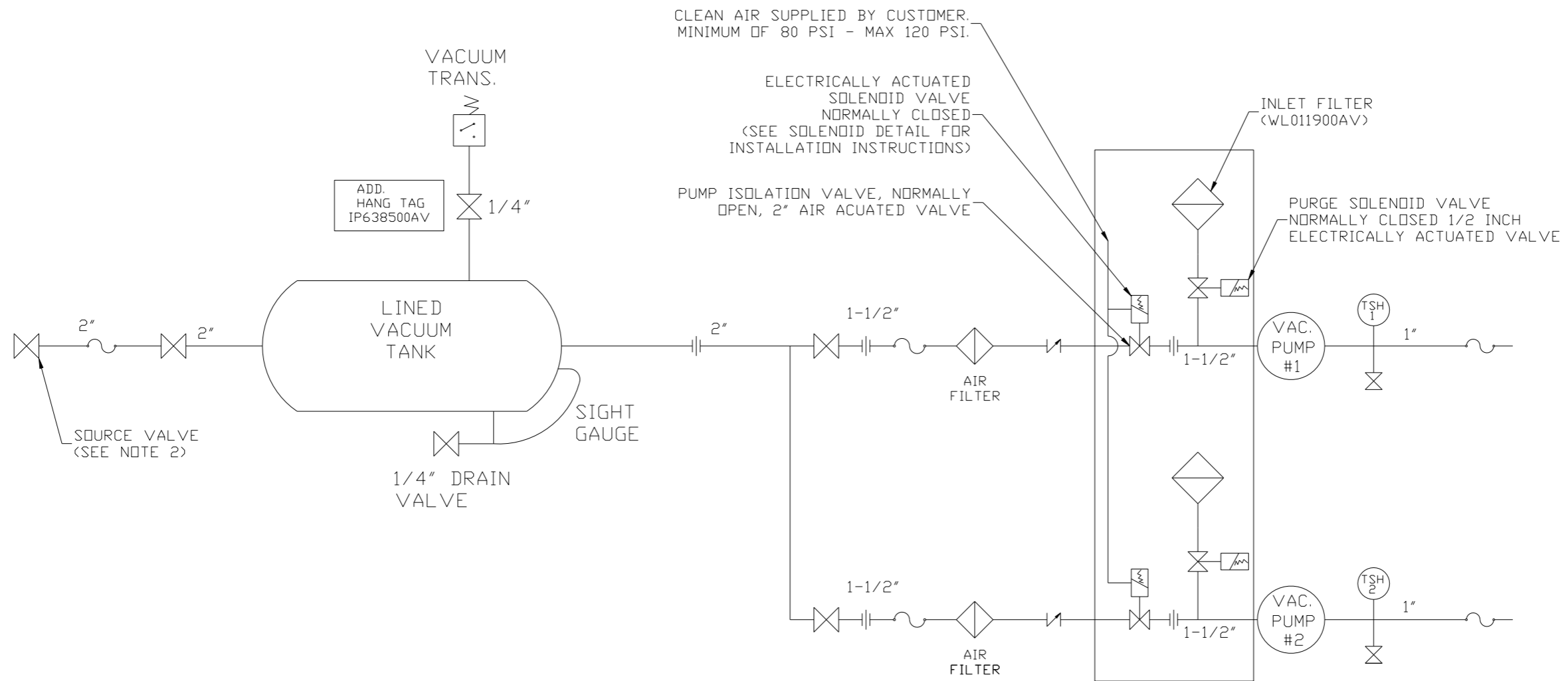
CG DENOTES CENTER OF GRAVITY

NOTE: SYSTEM DESIGNED IN COMPLIANCE WITH U.S. NFPA '99, LATEST EDITION.

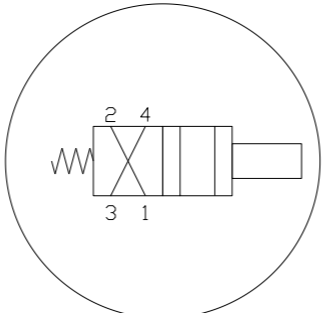
SYMBOL LEGEND		DRAWINGS TO CONFORM TO THE CURRENT REVISION OF THE FOLLOWING ANSI STANDARDS	
⊖ = MINUS DRAFT	⊕ = PLUS DRAFT	⊕ = ADDITIONAL CONTROL REQ'D	⊕ = BRINELL HARDNESS
TOLERANCES NOT SPECIFIED		DO NOT SCALE DRAWING FOR DIMENSIONS	
.XX ±	.XXX ±	AUTOCAD REL2008 LT	SCALE 1:10
<<DEG> ±		INCH	Sheet 1 of 2
CONFIDENTIAL DISCLOSURE		DRAWN BY	
This drawing is the property of POWEREX, INC. of the SCOTT FEITZER COMPANY and subject to return on demand. Its contents are confidential and must not be copied or submitted to outside parties for use or examination.		CHECKED BY	
		APPROVED BY	
		MFG/MKTG	
		1/7/13	
		1/7/13	
		1/7/13	
		1/7/13	
MATERIAL		PART NAME	
N/A		SHP LAB CLAW VACUUM	
		DUPLEX 80G TANK MOUNTED	
		DWG NO	
		LCD0503	
		SIZE	
		D	

8 | 7 | 6 | 5 | 4 | 3 | 2 | 1

REV	ZONE	REVISION	DATE	ECN	NAME	CHKD
B-1	ALL	RELEASE TO PRODUCTION	1/7/13	PXEC0003	GES	DMS
C-1	1 ALL	ADDED CENTER OF GRAVITY INFORMATION	5/14/15	PXEC0093	AEK	GES
D-1	2 B3	CORRECTED AUTO-PURGE GROUP	06/27/16	PXEC0157	MJD	GES



NOTE:  
A 1/4 INCH VENT PLUG IS LOCATED IN THE FILTER HOUSING.



SOLENOID DETAIL:  
1) VALVE - INPUT #1  
2) MUFFLER - INPUT #2  
3) SUPPLY AIR - INPUT #4

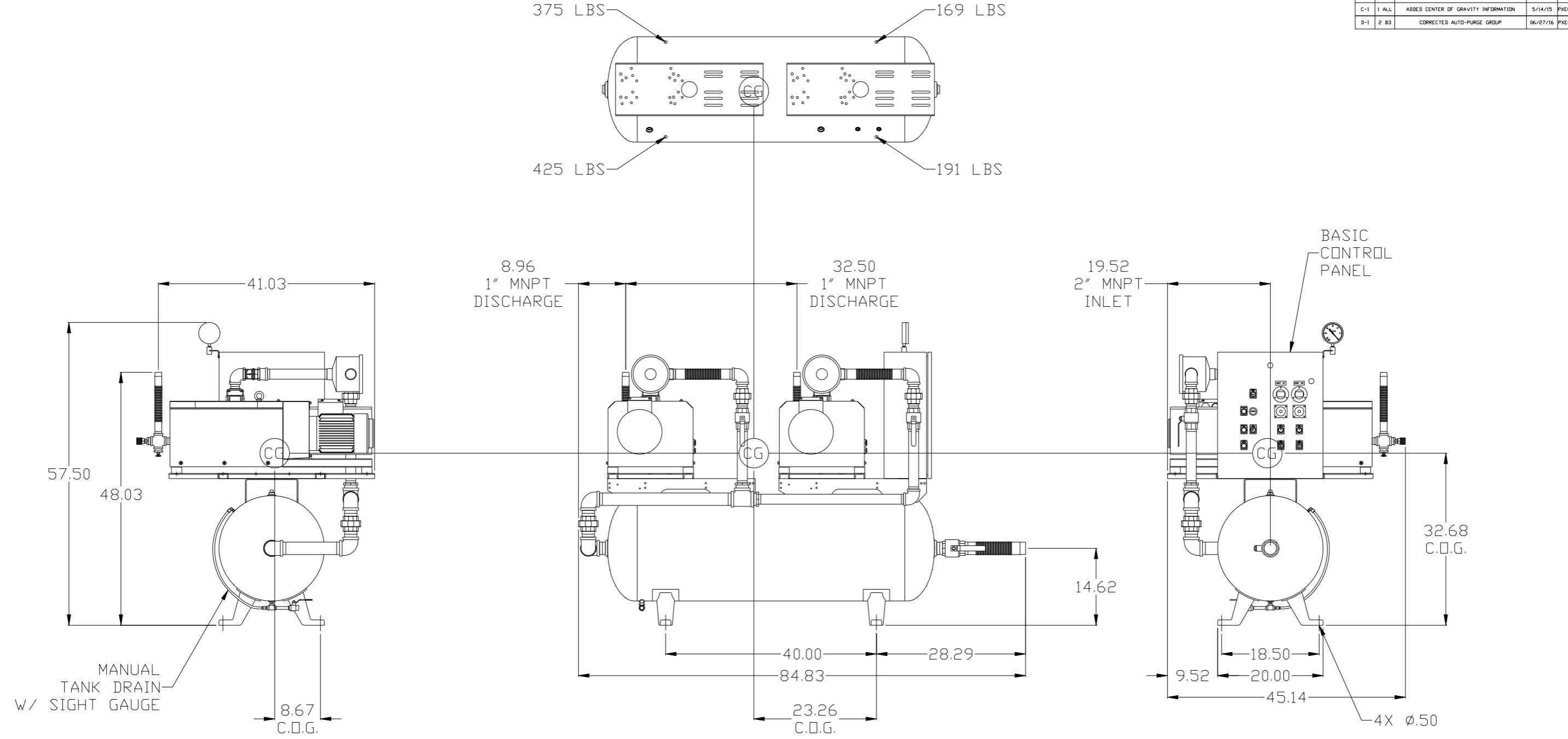
NOTE:  
1) TSH - TEMPERATURE SWITCH HIGH  
2) PER NFPA THE SYSTEM WILL REQUIRE A SOURCE VALVE (SUPPLIED BY OTHERS).

LEGEND	
	TEMP. SWITCH
	VACUUM SWITCH
	BUTTERFLY VALVE
	CHECK VALVE
	AIR FILTER
	FLEX LINE
	BALL VALVE
	UNION

SYMBOL LEGEND			ADDITIONAL CONTROL REQ'D	Drawings to conform to the current revision of the following ANSI standards: Y14.3 Multi and sectional view dgs. Y14.5M Dimensioning and tolerancing
	MINUS DRAFT		BRINELL HARDNESS	
TOLERANCES NOT SPECIFIED		AUTOCAD REL2008 LT		DO NOT SCALE DRAWING FOR DIMENSIONS
.XX ±		INCH		SCALE 1:10
.XXX ±				
<DEG> ±				
CONFIDENTIAL DISCLOSURE This drawing is the property of POWEREX, INC. of the SCOTT FETZER COMPANY and subject to return on demand. Its contents are confidential and must not be copied or submitted to outside parties for use or examination.				
DRAWN BY		CHECKED BY	APPROVED BY	
GES		DMS	DMS CT	
1/7/13		1/7/13	1/7/13 1/7/13	
MATERIAL		N/A		
PART NAME		DUPLIX LAB VACUUM FLOW SCHEMATIC		
DWG NO		LCD0503		
SIZE		D		

REV	ZONE	REVISION	DATE	ECN	NAME	CHKD
B-1	ALL	RELEASE TO PRODUCTION	1/7/13	PXEC0003	GES	DMS
C-1	1 ALL	ADDED CENTER OF GRAVITY INFORMATION	5/14/15	PXEC0093	AEK	GES
D-1	2 B3	CORRECTED AUTO-PURGE GROUP	06/27/16	PXEC0157	MJD	GES

8 7 6 5 4 3 2 1



CENTER OF GRAVITY:  
TOTAL WEIGHT: 1160 LBS  
DIMENSIONS  
X (FRONT): 8.67"  
Y (RIGHT): 23.26"  
Z (HEIGHT): 32.68"

NOTE: A MINIMUM OF 24" CLEARANCE IS RECOMMENDED AROUND THE ENTIRE UNIT. THERE IS ALSO A MINIMUM RECOMMENDED ELECTRICAL PANEL CLEARANCE PER OSHA/ NEC.

⊙ CG DENOTES CENTER OF GRAVITY

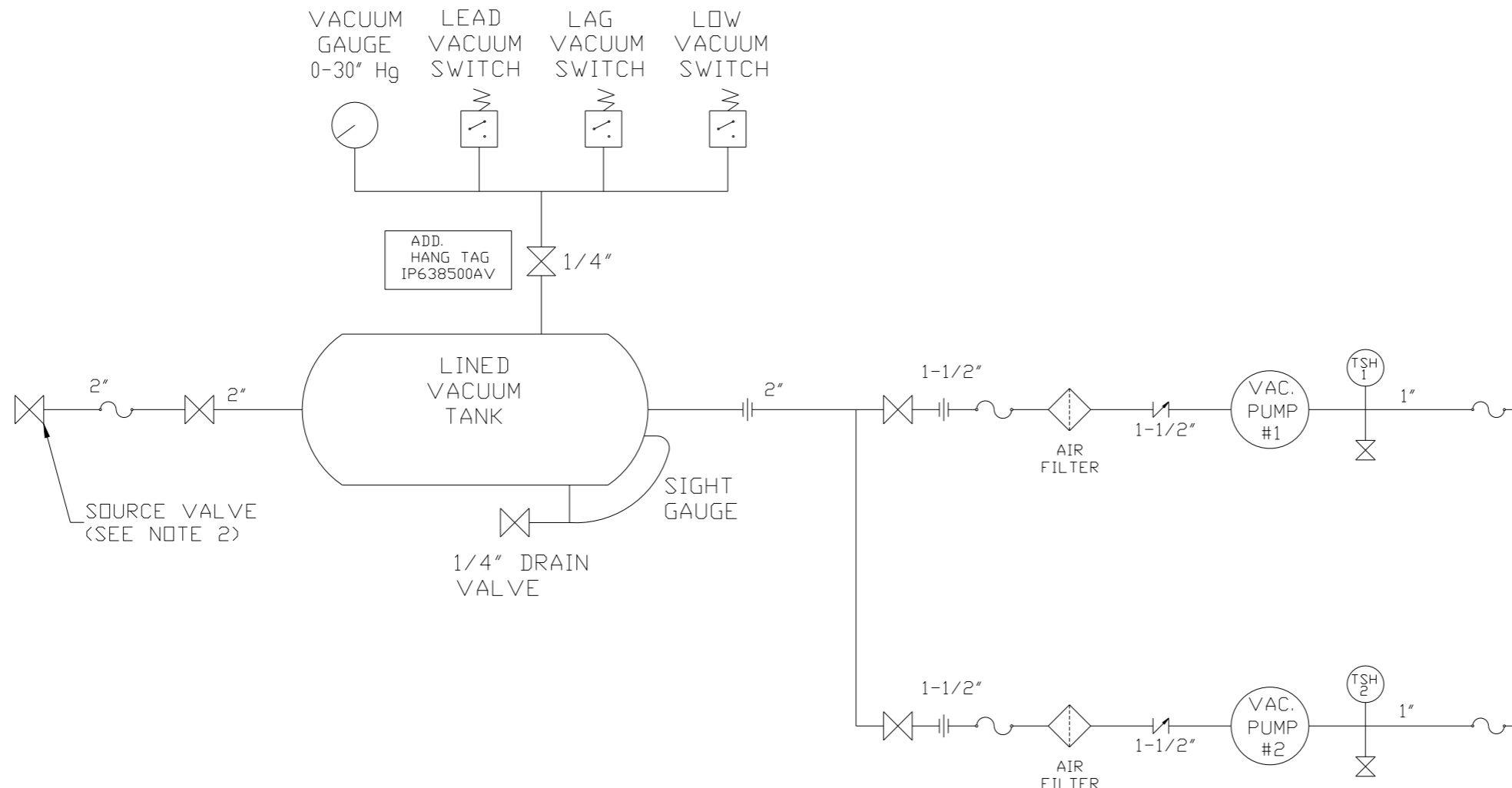
NOTE: SYSTEM DESIGNED IN COMPLIANCE WITH U.S. NFPA '99, LATEST EDITION.

NOTE: AUTO PURGE IS OPTIONAL.

SYMBOL LEGEND		⊕ = MINUS DRAFT	⊖ = PLUS DRAFT	⊙ = ADDITIONAL CONTROL REQ'D	⊚ = BRINELL HARDNESS	Drawings to conform to the current revision of the following ANSI standards: Y14.3 Multi and sectional view dsgs. Y14.5M Dimensioning and tolerancing
TOLERANCES NOT SPECIFIED		AUTOCAD REL2008 LT		DO NOT SCALE DRAWING FOR DIMENSIONS		
.XX ±		INCH		Sheet 1 of 2		SCALE 1:10
.XXX ±				DRAWN BY		CHECKED BY
<DEG> ±				GES		DMS
				1/7/13		1/7/13
CONFIDENTIAL DISCLOSURE		This drawing is the property of POWEREX, INC. of the SCOTT FEITZER COMPANY and subject to return on demand. Its contents are confidential and must not be copied or submitted to outside parties for use or examination.		APPROVED BY		MFG/MRKTG
MATERIAL		N/A		DMS		CT
PART NAME		SHP LAB CLAW VACUUM		1/7/13		1/7/13
DUPLEX 80G TANK MOUNTED		DWG NO		LCD0503		SIZE D

8 7 6 5 4 3 2 1

REV	ZONE	REVISION	DATE	ECN	NAME	CHKD
B-1	ALL	RELEASE TO PRODUCTION	1/7/13	PXEC0003	GES	DMS
C-1	1 ALL	ADDED CENTER OF GRAVITY INFORMATION	5/14/15	PXEC0093	AEK	GES
D-1	2 B3	CORRECTED AUTO-PURGE GROUP	06/27/16	PXEC0157	MJD	GES



NOTE:  
A 1/4 INCH VENT PLUG IS  
LOCATED IN THE FILTER HOUSING.

LEGEND

	TEMP. SWITCH		VACUUM SWITCH
	BUTTERFLY VALVE		CHECK VALVE
	AIR FILTER		FLEX LINE
	BALL VALVE		UNION

NOTE:  
1) TSH - TEMPERATURE SWITCH HIGH  
2) PER NFPA THE SYSTEM WILL REQUIRE A SOURCE VALVE (SUPPLIED BY OTHERS).

SYMBOL LEGEND			ADDITIONAL CONTROL REQ'D	Drawings to conform to the current revision of the following ANSI standards:	
	MINUS DRAFT		BRINELL HARDNESS	Y14.3 Multi and sectional view dgs. Y14.5M Dimensioning and tolerancing	
TOLERANCES NOT SPECIFIED		AUTOCAD REL2008 LT		DO NOT SCALE DRAWING FOR DIMENSIONS	
.XX ±		INCH		Sheet 2 of 2	SCALE 1:10
CONFIDENTIAL DISCLOSURE This drawing is the property of POWEREX, INC. of the SCOTT FETZER COMPANY and subject to return on demand. Its contents are confidential and must not be copied or submitted to outside parties for use or examination.					
DRAWN BY	CHECKED BY	APPROVED BY		MFG/MRKTG	
GES	DMS	DMS		CT	
1/7/13	1/7/13	1/7/13		1/7/13	
MATERIAL		N/A			
PART NAME		DUPLEX LAB VACUUM		150 PRODUCTION DRIVE, HARRISON, OHIO 45030 Ph: 888-769-7979 FAX: (513) 367-3125	
FLOW SCHEMATIC		DWG NO		SIZE	
		LCD0503		D	