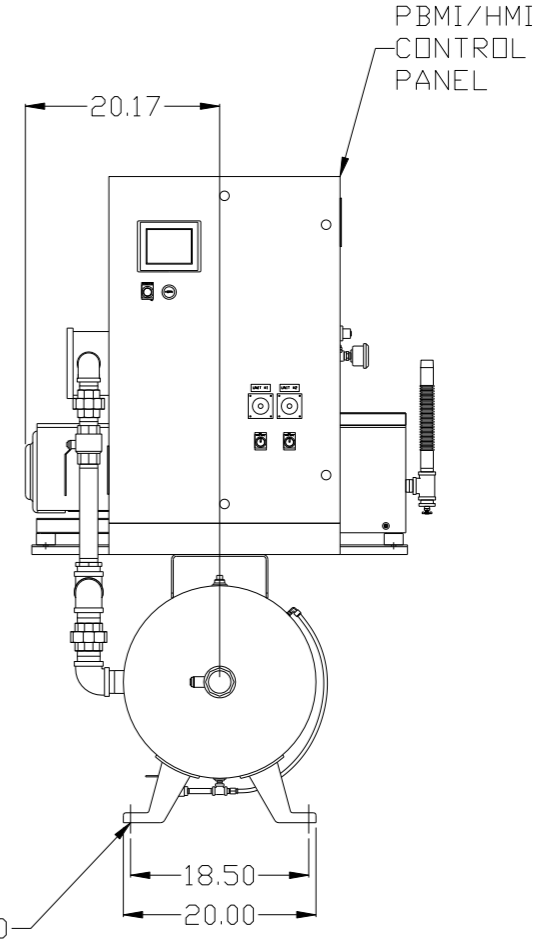
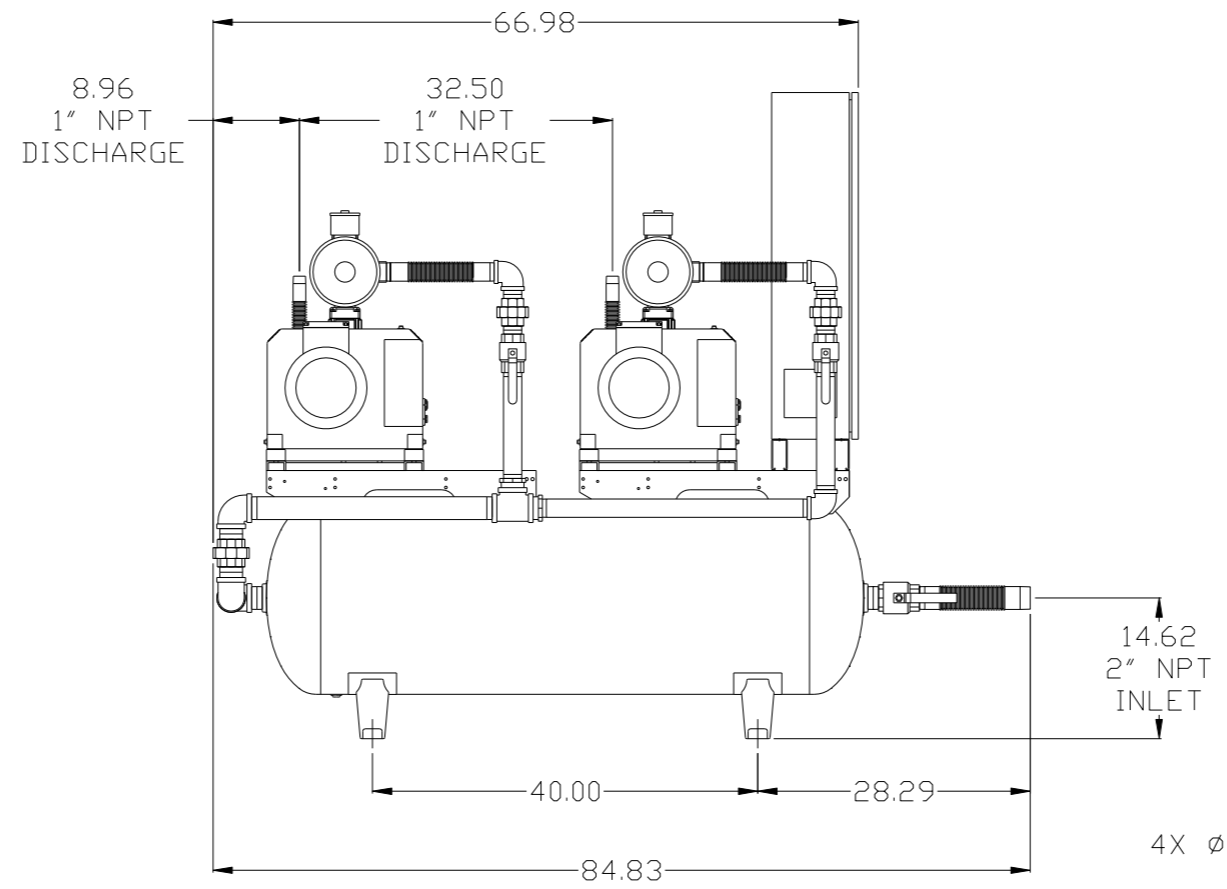
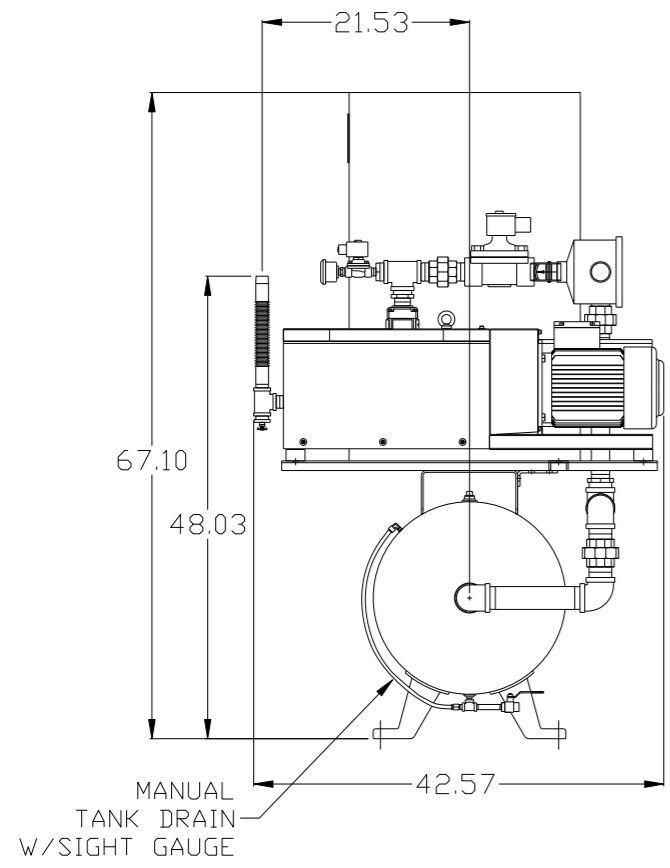


REV	ZONE	REVISION	DATE	ECN	NAME	CHKD
B-1	ALL	RELEASE TO PRODUCTION	1/7/13	PKE0003	GES	DMS
C-1	2 B3	CORRECTED AUTO-PURGE GROUP	06/27/16	PKE0017	MJD	GES



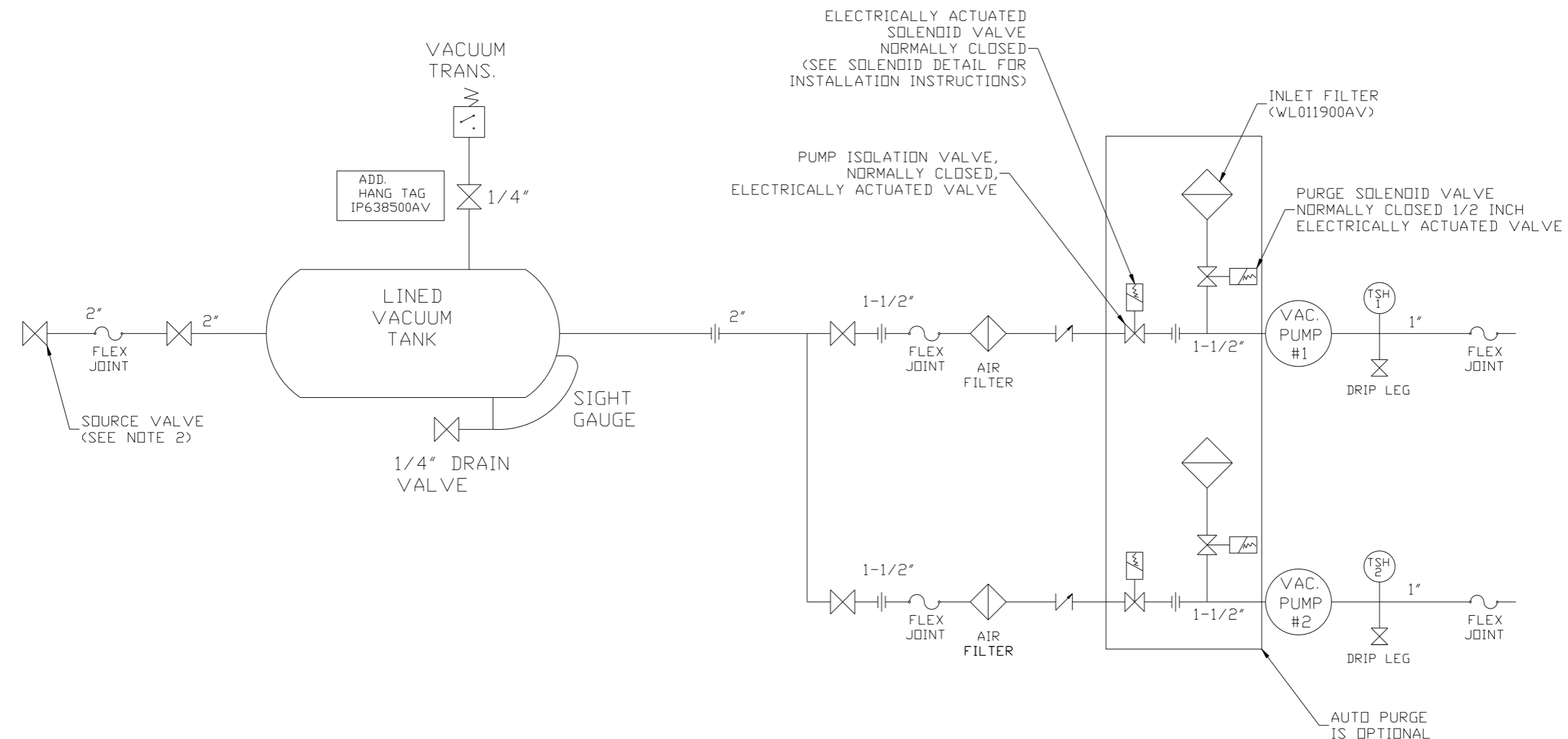
NOTE: AUTO PURGE IS OPTIONAL.

NOTE: A MINIMUM OF 24" CLEARANCE IS RECOMMENDED AROUND THE ENTIRE UNIT. THERE IS ALSO A MINIMUM RECOMMENDED ELECTRICAL PANEL CLEARANCE PER OSHA/ NEC.

NOTE: SYSTEM DESIGNED IN COMPLIANCE WITH U.S. NFPA '99, LATEST EDITION.

SYMBOL LEGEND		DRAWINGS TO CONFORM TO THE CURRENT REVISION OF THE FOLLOWING ANSI STANDARDS:	
⊖	MINUS DRAFT	⊕	PLUS DRAFT
⊕	ADDITIONAL CONTROL REQ'D	⊖	BRINELL HARDNESS
TOLERANCES NOT SPECIFIED		DO NOT SCALE DRAWING FOR DIMENSIONS	
.XX ±	AUTOCAD REL2008 LT	Sheet 1 of 2	
.XXX ±	INCH	SCALE 1:10	
CONFIDENTIAL DISCLOSURE: This drawing is the property of POWEREX, INC. of the SCOTT FETZER COMPANY and subject to return on demand. Its contents are confidential and must not be copied or submitted to outside parties for use or examination.			
DRAWN BY	CHECKED BY	APPROVED BY	MFG/MKTG
GES	DMS	DMS	CT
1/7/13	1/7/13	1/7/13	1/7/13
MATERIAL N/A			
PART NAME		150 PRODUCTION DRIVE, HARRISON, OHIO 45030 Ph 888-769-7979 Fax (513) 367-3125	
6.4HP LAB CLAW VACUUM		DWG NO	SIZE
DUPLEX 80G TANK MOUNTED		LCD0603	D

REV	ZONE	REVISION	DATE	ECN	NAME	CHK'D
B-1	ALL	RELEASE TO PRODUCTION	1/7/13	PKE0003	GES	DMS
C-1	2 B3	CORRECTED AUTO-PURGE GROUP	06/27/16	PKE0157	MJD	GES



ELECTRICALLY ACTUATED SOLENOID VALVE NORMALLY CLOSED (SEE SOLENOID DETAIL FOR INSTALLATION INSTRUCTIONS)

PUMP ISOLATION VALVE, NORMALLY CLOSED, ELECTRICALLY ACTUATED VALVE

INLET FILTER (WL011900AV)

PURGE SOLENOID VALVE NORMALLY CLOSED 1/2 INCH ELECTRICALLY ACTUATED VALVE

LEGEND

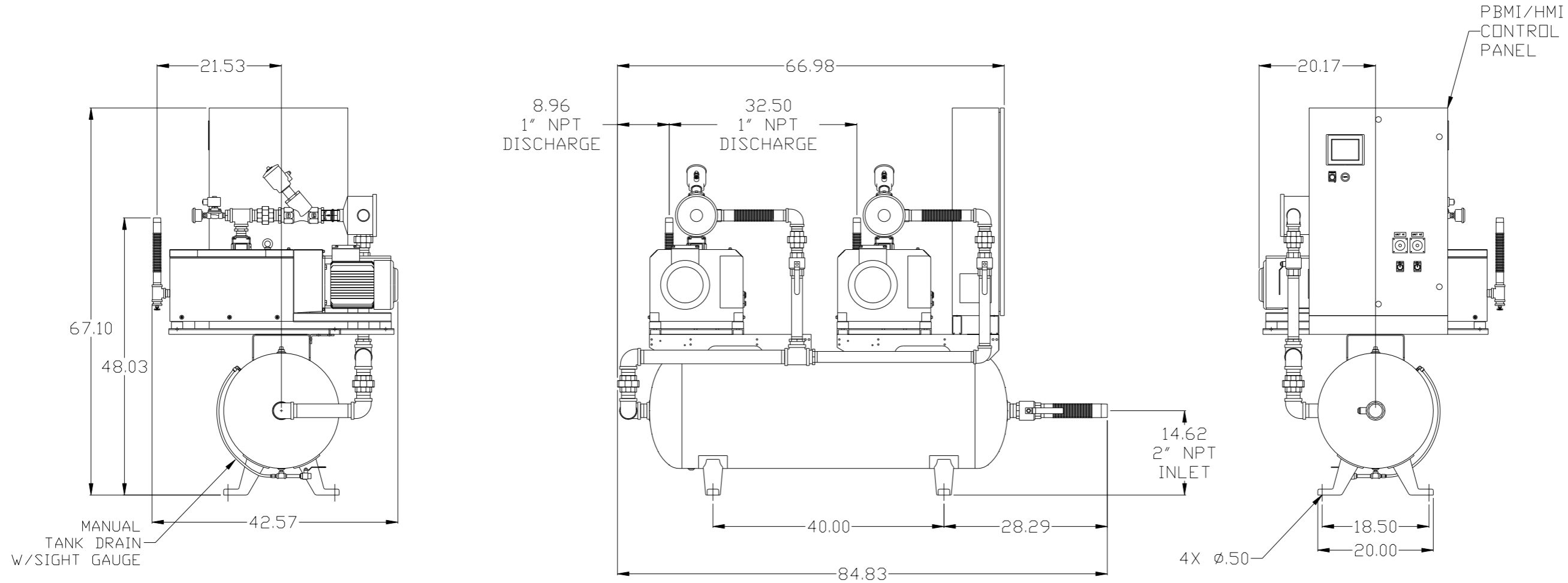
	TEMP. SWITCH		VACUUM SWITCH
	BUTTERFLY VALVE		CHECK VALVE
	AIR FILTER		FLEX LINE
	BALL VALVE		UNION

NOTE:
A 1/4 INCH VENT PLUG IS LOCATED IN THE FILTER HOUSING.

NOTE:
1) TSH - TEMPERATURE SWITCH HIGH
2) PER NFPA THE SYSTEM WILL REQUIRE A SOURCE VALVE (SUPPLIED BY OTHERS).

SYMBOL LEGEND			= ADDITIONAL CONTROL REQ'D	Drawings to conform to the current revision of the following ANSI standards:	
	= MINUS DRAFT		= BRINELL HARDNESS	Y14.3 Multi and sectional view dgs. Y14.5M Dimensioning and tolerancing	
TOLERANCES NOT SPECIFIED		AUTOCAD REL2008 LT	DO NOT SCALE DRAWING FOR DIMENSIONS		
.XX ±		INCH	Sheet 2 of 2	SCALE	1:10
<p>CONFIDENTIAL DISCLOSURE This drawing is the property of POWEREX, INC. of the SCOTT FETZER COMPANY and subject to return on demand. Its contents are confidential and must not be copied or submitted to outside parties for use or examination.</p>					
DRAWN BY	CHECKED BY	APPROVED BY	MFG/MRKTG		
GES	DMS	DMS	CT		
1/7/13	1/7/13	1/7/13	1/7/13		
MATERIAL		N/A			
PART NAME		 150 PRODUCTION DRIVE, HARRISON, OHIO 45030 Ph: 888-769-7979 FAX: (513) 367-3125			
DWG NO		LCO0603		SIZE	
FLOWSCHMATIC				D	

REV	ZONE	REVISION	DATE	ECN	NAME	CHKD
B-1	ALL	RELEASE TO PRODUCTION	1/7/13	PKE0003	GES	DMS
C-1	2 B3	CORRECTED AUTO-PURGE GROUP	06/27/16	PKE0157	MJD	GES



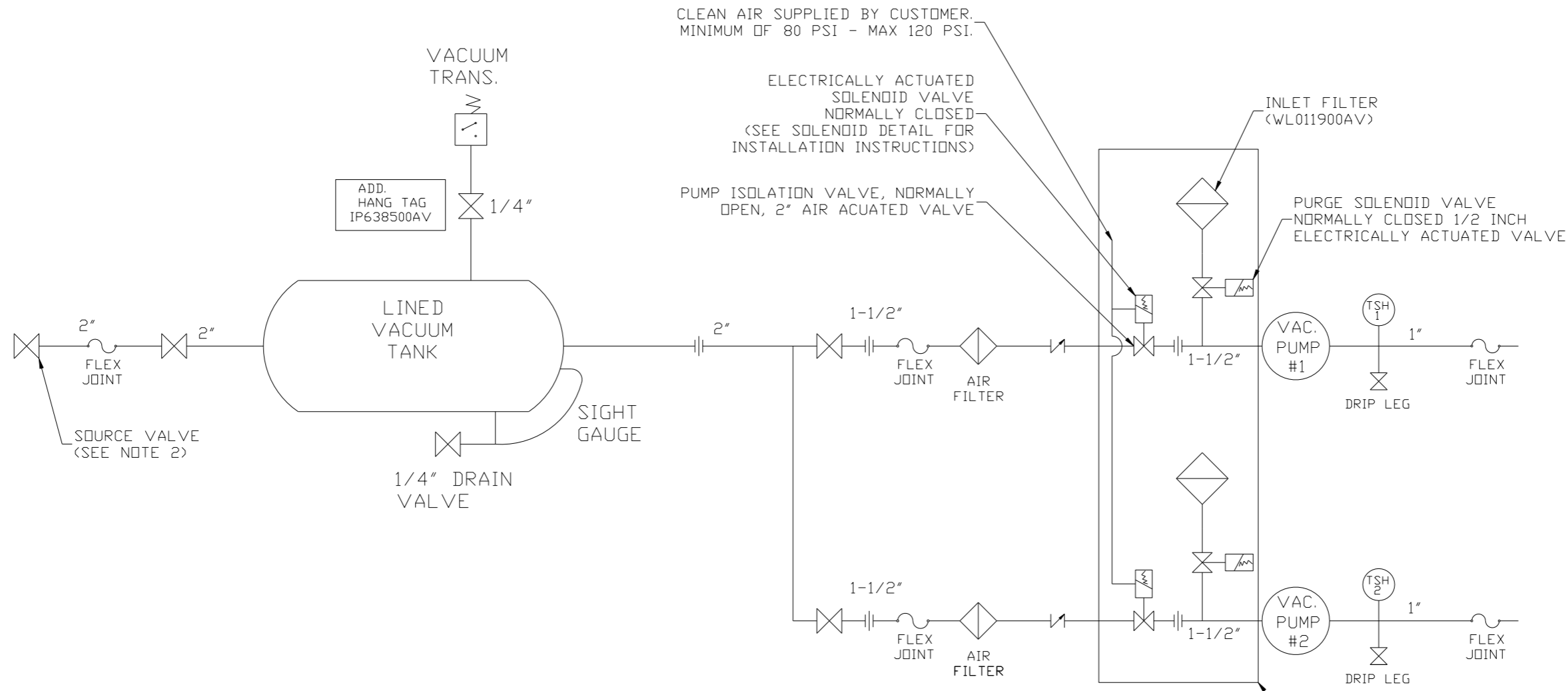
NOTE: AUTO PURGE IS OPTIONAL.

NOTE: A MINIMUM OF 24" CLEARANCE IS RECOMMENDED AROUND THE ENTIRE UNIT. THERE IS ALSO A MINIMUM RECOMMENDED ELECTRICAL PANEL CLEARANCE PER OSHA/ NEC.

NOTE: SYSTEM DESIGNED IN COMPLIANCE WITH U.S. NFPA '99, LATEST EDITION.

SYMBOL LEGEND		DRAWINGS TO CONFORM TO THE CURRENT REVISION OF THE FOLLOWING ANSI STANDARDS	
⊖ = MINUS DRAFT	⊕ = PLUS DRAFT	⊕ = ADDITIONAL CONTROL REQ'D	⊕ = BRINELL HARDNESS
TOLERANCES NOT SPECIFIED		DO NOT SCALE DRAWING FOR DIMENSIONS	
.XX ±	.XXX ±	AUTOCAD REL2008 LT	SCALE 1:10
<DEG> ±		INCH	Sheet 1 of 2
CONFIDENTIAL DISCLOSURE This drawing is the property of POWEREX, INC. of the SCOTT FETZER COMPANY and subject to return on demand. Its contents are confidential and must not be copied or submitted to outside parties for use or examination.			
DRAWN BY	CHECKED BY	APPROVED BY	MFG/MKTG
GES	DMS	DMS	CT
1/7/13	1/7/13	1/7/13	1/7/13
MATERIAL		PART NAME	
N/A		6.4HP LAB CLAW VACUUM	
DUPLEX 80G TANK MOUNTED		DWG NO	
		LCD0603	
		SIZE	
		D	

REV	ZONE	REVISION	DATE	ECN	NAME	CHKD
B-1	ALL	RELEASE TO PRODUCTION	1/7/13	PXEC000	GES	DMS
C-1	2 B3	CORRECTED AUTO-PURGE GROUP	06/27/16	PXEC0157	MJD	GES



CLEAN AIR SUPPLIED BY CUSTOMER.
MINIMUM OF 80 PSI - MAX 120 PSI.

ELECTRICALLY ACTUATED
SOLENOID VALVE
NORMALLY CLOSED
(SEE SOLENOID DETAIL FOR
INSTALLATION INSTRUCTIONS)

PUMP ISOLATION VALVE, NORMALLY
OPEN, 2" AIR ACUATED VALVE

INLET FILTER
(WL011900AV)

PURGE SOLENOID VALVE
NORMALLY CLOSED 1/2 INCH
ELECTRICALLY ACTUATED VALVE

ADD.
HANG TAG
IP638500AV

2" FLEX JOINT
SOURCE VALVE
(SEE NOTE 2)

LINED
VACUUM
TANK
SIGHT GAUGE
1/4" DRAIN
VALVE

1-1/2" FLEX JOINT
AIR FILTER

VAC. PUMP #1
TSH
1" DRIP LEG
FLEX JOINT

1-1/2" FLEX JOINT
AIR FILTER

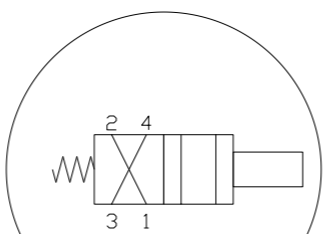
VAC. PUMP #2
TSH
1" DRIP LEG
FLEX JOINT

NOTE:
A 1/4 INCH VENT PLUG IS
LOCATED IN THE FILTER HOUSING.

AUTO PURGE
IS OPTIONAL

LEGEND

	TEMP. SWITCH		VACUUM SWITCH
	BUTTERFLY VALVE		CHECK VALVE
	AIR FILTER		FLEX LINE
	BALL VALVE		UNION

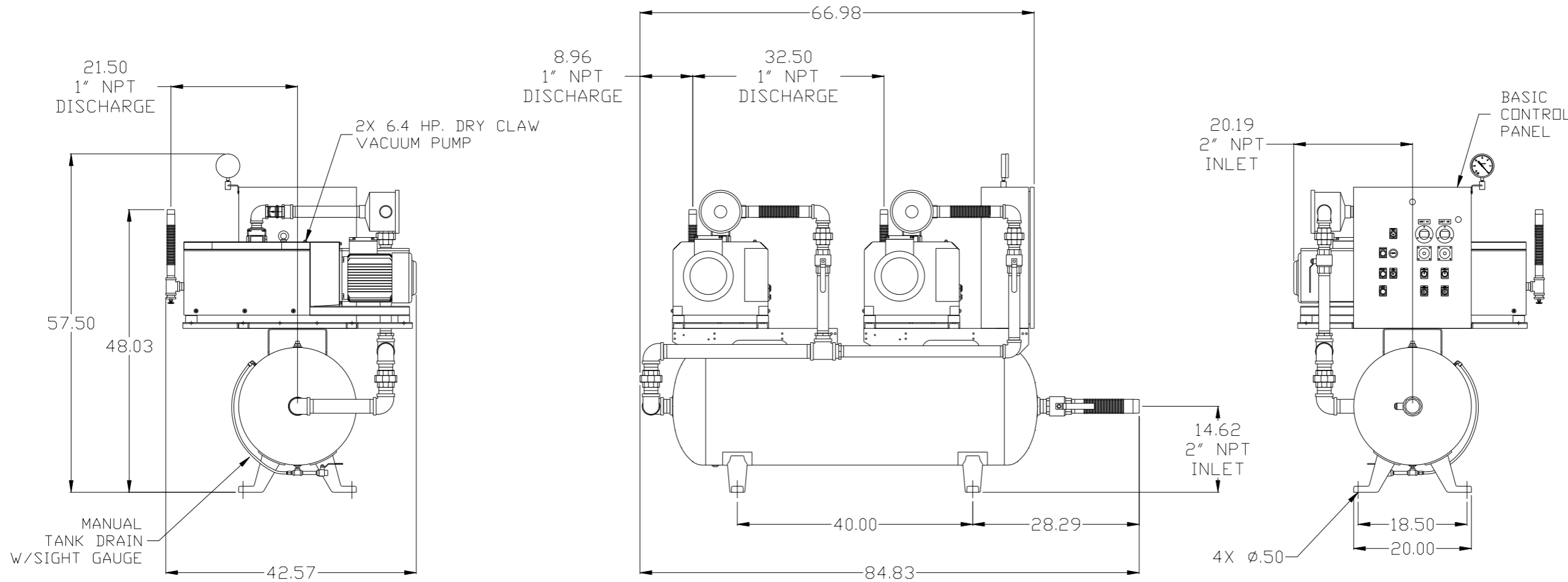


SOLENOID DETAIL:
1) VALVE - INPUT #1
2) MUFFLER - INPUT #2
3) SUPPLY AIR - INPUT #4

NOTE:
1) TSH - TEMPERATURE SWITCH HIGH
2) PER NFPA THE SYSTEM WILL REQUIRE A SOURCE VALVE (SUPPLIED BY OTHERS).

SYMBOL LEGEND			= ADDITIONAL CONTROL	Drawings to conform to the current revision of the following ANSI standards:
	= MINUS DRAFT		= BRINELL HARDNESS	Y14.3 Multi and sectional view dgs.
	= PLUS DRAFT			Y14.5M Dimensioning and tolerancing
TOLERANCES NOT SPECIFIED		AUTOCAD REL2008 LT	DO NOT SCALE DRAWING FOR DIMENSIONS	
.XX ±		INCH	Sheet 2 of 2	SCALE 1:10
.XXX ±				
<<DEG.> ±				
CONFIDENTIAL DISCLOSURE This drawing is the property of POWEREX, INC. of the SCOTT FETZER COMPANY and subject to return on demand. Its contents are confidential and must not be copied or submitted to outside parties for use or examination.				
DRAWN BY	CHECKED BY	APPROVED BY	ENGINEERING	MFG/MRKTG
GES	DMS	DMS	CT	
1/7/13	1/7/13	1/7/13	1/7/13	
MATERIAL		N/A		
PART NAME		DUPLEX LAB VACUUM		
DWG NO		LCD0603		
FLOW SCHEMATIC		SIZE D		

REV	ZONE	REVISION	DATE	ECN	NAME	CHKD
B-1	ALL	RELEASE TO PRODUCTION	1/7/13	PKE0003	GES	DMS
C-1	2 B3	CORRECTED AUTO-PURGE GROUP	06/27/16	PKE0157	MJD	GES



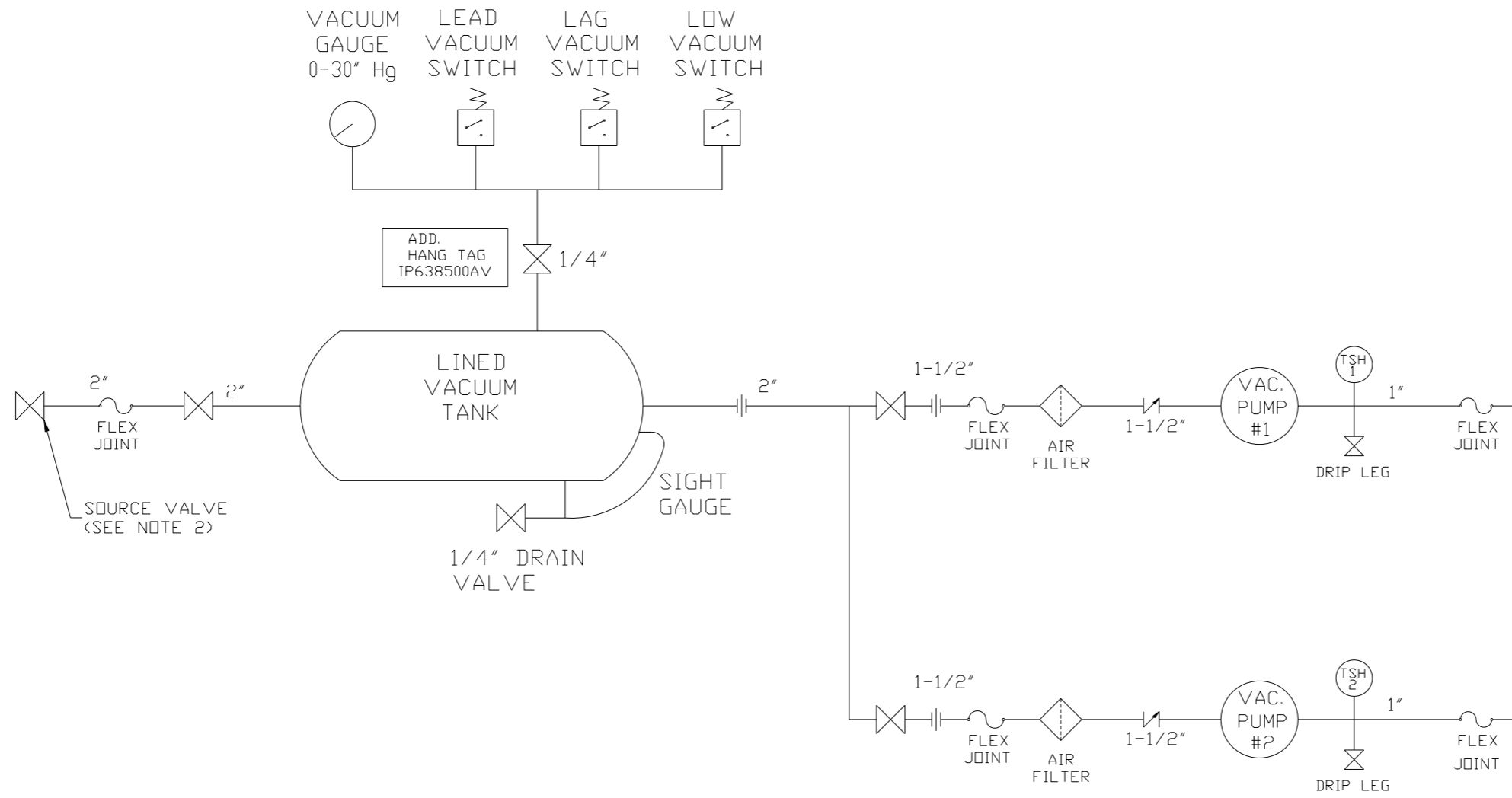
NOTE: AUTO PURGE IS OPTIONAL.

NOTE: A MINIMUM OF 24" CLEARANCE IS RECOMMENDED AROUND THE ENTIRE UNIT. THERE IS ALSO A MINIMUM RECOMMENDED ELECTRICAL PANEL CLEARANCE PER OSHA/ NEC.

NOTE: SYSTEM DESIGNED IN COMPLIANCE WITH U.S. NFPA '99, LATEST EDITION.

SYMBOL LEGEND		DRAWINGS TO CONFORM TO THE CURRENT REVISION OF THE FOLLOWING ANSI STANDARDS	
\ominus = MINUS DRAFT	∇ = ADDITIONAL CONTROL REQ'D	Y14.3 Multi and sectional view dgs.	
\oplus = PLUS DRAFT	HRC = BRINELL HARDNESS	Y14.5M Dimensioning and tolerancing	
TOLERANCES NOT SPECIFIED	AUTOCAD REL2008 LT	DO NOT SCALE DRAWING FOR DIMENSIONS	
.XX \pm	INCH	Sheet 1 of 2	SCALE 1:10
CONFIDENTIAL DISCLOSURE This drawing is the property of POWEREX, INC. of the SCOTT FETZER COMPANY and subject to return on demand. Its contents are confidential and must not be copied or submitted to outside parties for use or examination.			
DRAWN BY	CHECKED BY	APPROVED BY	MFG/MRKTG
GES	DMS	DMS	CT
1/7/13	1/7/13	1/7/13	1/7/13
MATERIAL N/A		POWEREX	
PART NAME		150 PRODUCTION DRIVE, HARRISON, OHIO 45030 Ph: 888-769-7979 FAX: (513) 367-3125	
6.4HP LAB CLAW VACUUM		DWG NO	SIZE
DUPLEX 80G TANK MOUNTED		LCD0603	D

REV	ZONE	REVISION	DATE	ECN	NAME	CHKD
B-1	ALL	RELEASE TO PRODUCTION	1/7/13	PKE0003	GES	DMS
C-1	2 B3	CORRECTED AUTO-PURGE GROUP	06/27/16	PKE0017	MJD	GES



NOTE:
A 1/4 INCH VENT PLUG IS
LOCATED IN THE FILTER HOUSING.

LEGEND

	TEMP. SWITCH		VACUUM SWITCH
	BUTTERFLY VALVE		CHECK VALVE
	AIR FILTER		FLEX LINE
	BALL VALVE		UNION

NOTE:
1) TSH - TEMPERATURE SWITCH HIGH
2) PER NFPA THE SYSTEM WILL REQUIRE A SOURCE VALVE (SUPPLIED BY OTHERS).

SYMBOL LEGEND			ADDITIONAL CONTROL REQ'D	Drawings to conform to the current revision of the following ANSI standards.	
	MINUS DRAFT		BRINELL HARDNESS	Y14.3 Multi and sectional view dgs. Y14.5M Dimensioning and tolerancing	
TOLERANCES NOT SPECIFIED		AUTOCAD REL2008 LT	DO NOT SCALE DRAWING FOR DIMENSIONS		
.XX ±	.XXX ±	<4 DEG > ±	INCH	Sheet 2 of 2	SCALE 1:10
CONFIDENTIAL DISCLOSURE This drawing is the property of POWEREX, INC. of the SCOTT FETZER COMPANY and subject to return on demand. Its contents are confidential and must not be copied or submitted to outside parties for use or examination.					
DRAWN BY	CHECKED BY	APPROVED BY		MFG/MRKTG	
GES	DMS	DMS		CT	
1/7/13	1/7/13	1/7/13		1/7/13	
MATERIAL N/A					
PART NAME DUPLEX LAB VACUUM FLOW SCHEMATIC			150 PRODUCTION DRIVE, HARRISDN, OHIO 45030 Ph: 888-769-7979 FAX: (513) 367-3125		
DWG NO LCD0603			SIZE D		