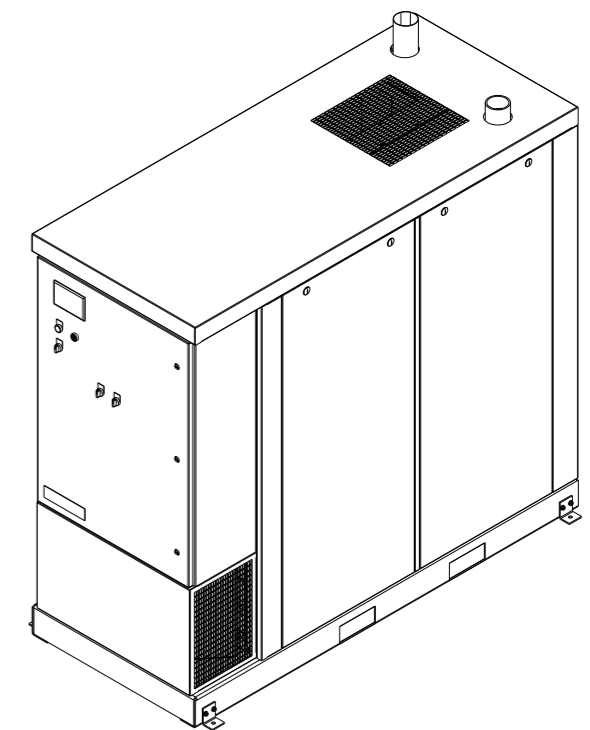
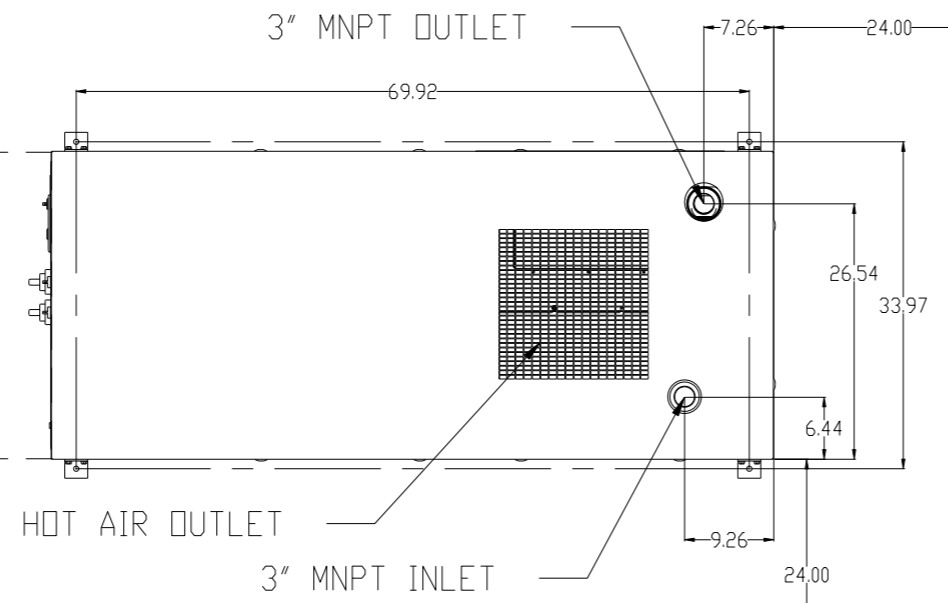


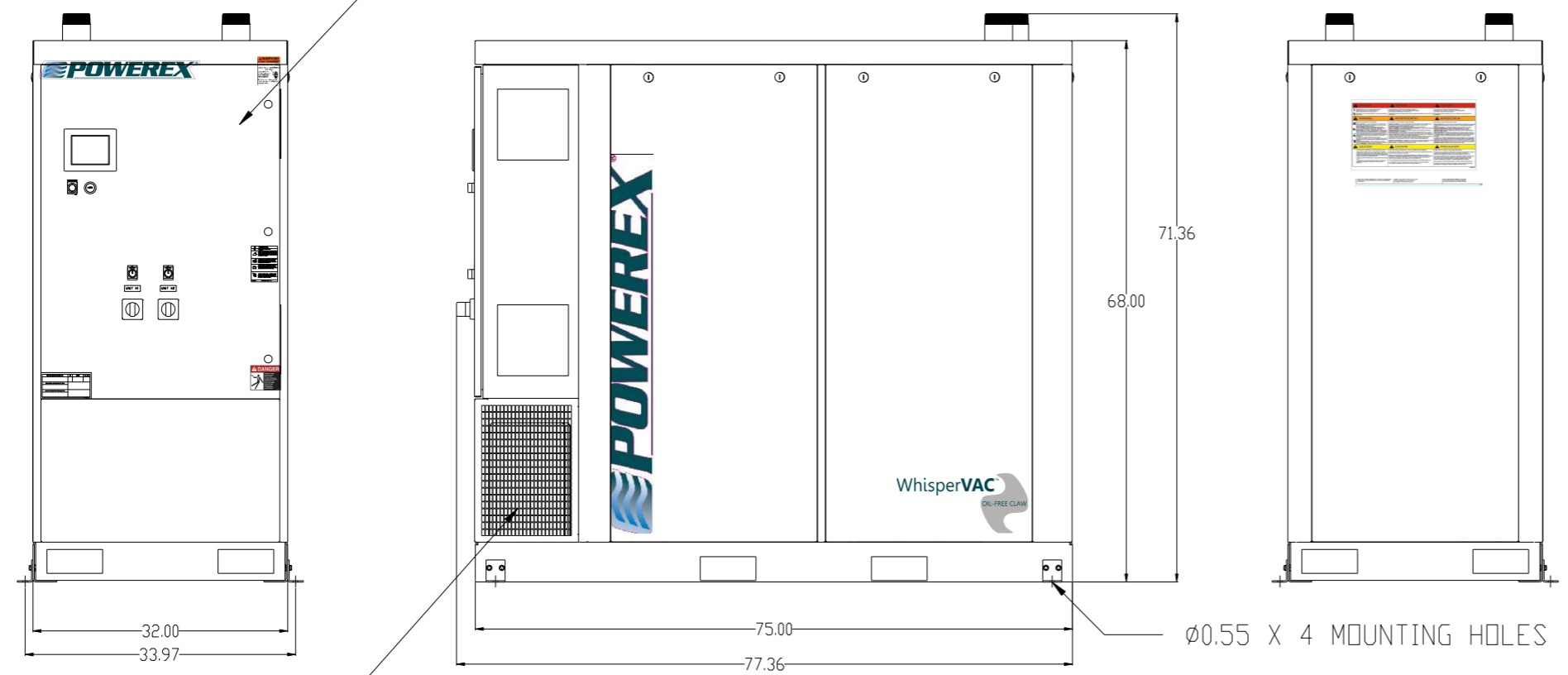
REV	ZONE	REVISION	DATE	ECN	NAME	CHKD
B-1	ALL	RELEASE TO PRODUCTION	2/10/16	PKC0099	GES	AEK

CONTROL PANEL
CLEARANCE PER
OSHA/NEC

RECOMMENDED
MAINTENANCE CLEARANCE



PBMI / HMI CONTROL PANEL

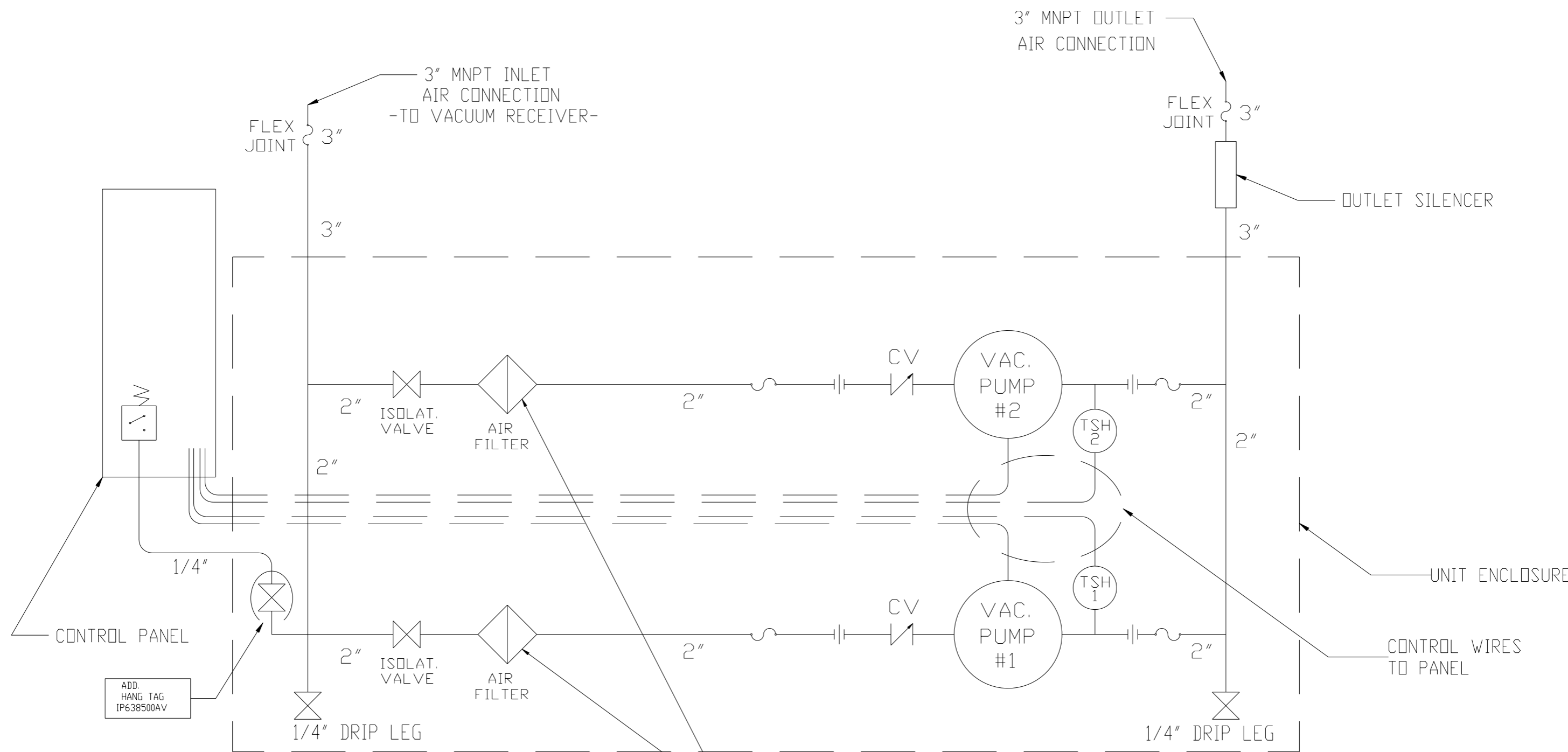


COOL AIR INLET

- NOTES:
 1.) SHEET 1, UNIT BUILD
 2.) SHEET 2, FLOW SCHEMATIC

SYMBOL LEGEND		= ADDITIONAL CONTROL REQ'D		Drawings to conform to the current revision of the following ANSI standards:	
⊖	MINUS DRAFT	⊕	PLUS DRAFT	Ⓢ	BRINELL HARDNESS
TOLERANCES NOT SPECIFIED		AUTOCAD REL2014LT		DO NOT SCALE DRAWING FOR DIMENSIONS	
.XX	±	INCH		Sheet 1 of 2	
.XXX	±			SCALE N/A	
<∠ DEG >	±				
CONFIDENTIAL DISCLOSURE This drawing is the property of POWEREX INC. of the SCOTT FETZER COMPANY and subject to return on demand. Its contents are confidential and must not be copied or submitted to outside parties for use or examination.					
DRAWN BY		CHECKED BY		APPROVED BY	
GES		AEK		ENGINEERING MFG/MRKTG GES RJR	
2/10/16		2/10/16		2/10/16 2/10/16	
MATERIAL		N/A		 150 PRODUCTION DRIVE, HARRISON, OHIO 45030 Ph: 888-769-7979 FAX: (513) 367-3125	
PART NAME		LAB CLAW ENCLOSED		DWG NO	
		DUPLEX VACUUM		LCED0707	
				SIZE D	

REV	ZONE	REVISION	DATE	ECN	NAME	CHKD
B-1	ALL	RELEASE TO PRODUCTION	2/10/16	PKC0099	GES	AEK



LEGEND	
	TEMP. SWITCH
	AIR FILTER
	BALL VALVE
	VACUUM TRANSDUCER
	CHECK VALVE
	FLEX LINE
	UNION

NOTE:
A 1/4 INCH VENT PLUG IS
LOCATED IN EACH FILTER HOUSING.

- NOTES:
 1) TSH - TEMPERATURE SWITCH HIGH
 2) IF THE SYSTEM REQUIRES A NFPA SOURCE VALVE, IT IS SUPPLIED BY OTHERS.
 3) OUTLET SILENCER AND FLEX LINES SHIP LOOSE FOR FIELD INSTALLATION.

SYMBOL LEGEND = MINUS DRAFT = PLUS DRAFT = ADDITIONAL CONTROL REQ'D = BRINELL HARDNESS		Drawings to conform to the current revision of the following ANSI standards: Y14.3 Multi and sectional view dgs Y14.5M Dimensioning and tolerancing	
TOLERANCES NOT SPECIFIED .XX ± .XXX ± <DEG. > ±		AUTOCAD REL2014LT INCH DO NOT SCALE DRAWING FOR DIMENSIONS Sheet 2 of 2 SCALE N/A	
CONFIDENTIAL DISCLOSURE This drawing is the property of POWEREX INC. of the SCOTT FITZGER COMPANY and subject to return on demand. Its contents are confidential and must not be copied or submitted to outside parties for use or examination.			
DRAWN BY: GES CHECKED BY: AEK 2/10/16		APPROVED BY: MFG/MRKTG: RJR 2/10/16	
MATERIAL: N/A		 150 PRODUCTION DRIVE, HARRISON, OHIO 45030 Ph: 888-769-7979 FAX: (513) 367-3125	
PART NAME: LAB CLAW ENCLOSED DUPLEX VACUUM		DWG NO: LCED0707 SIZE: D	