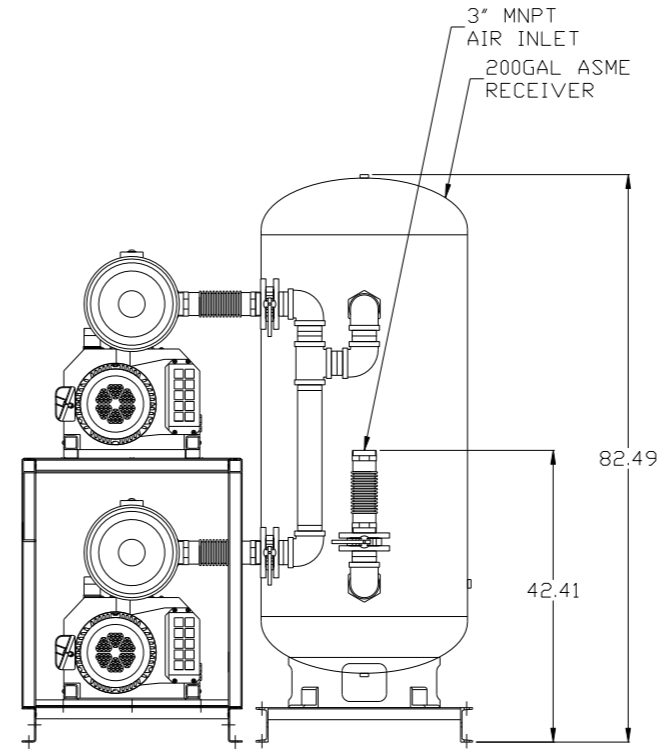
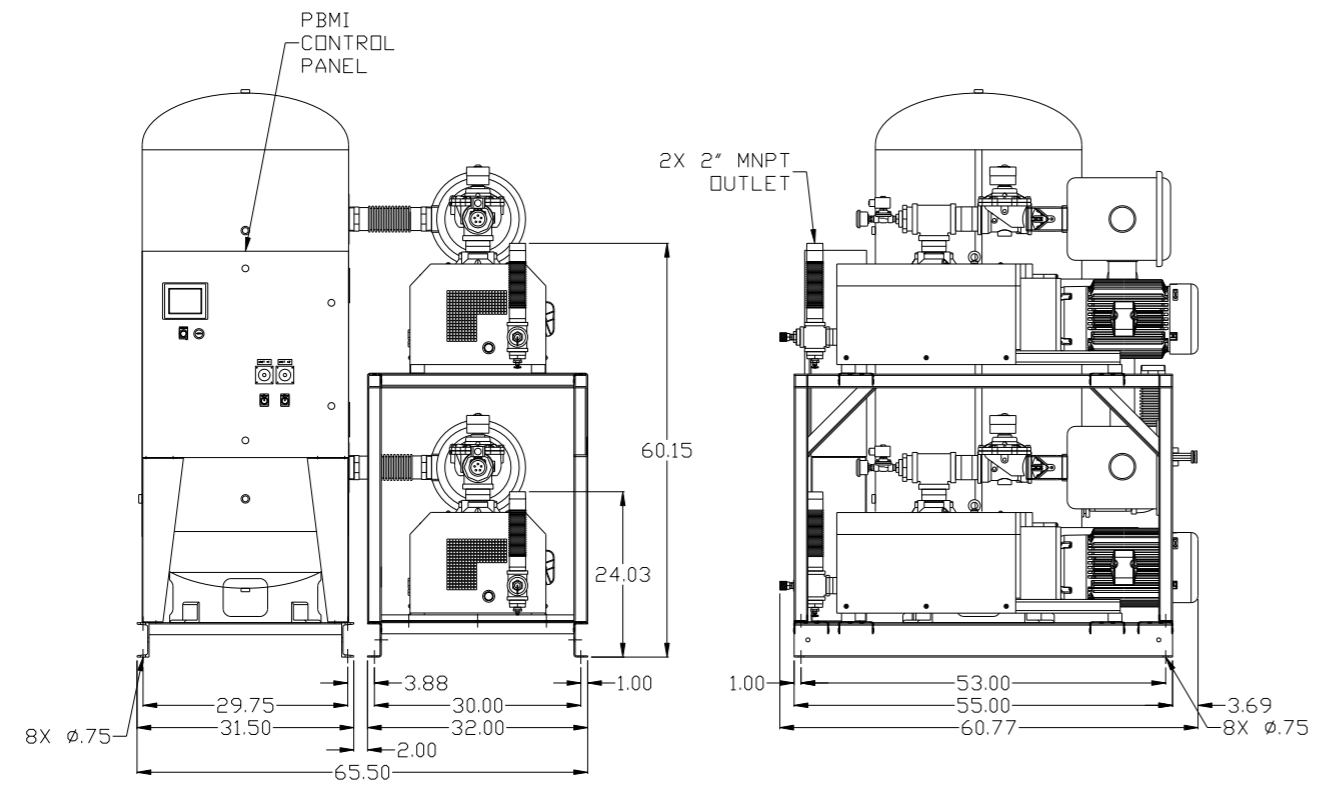
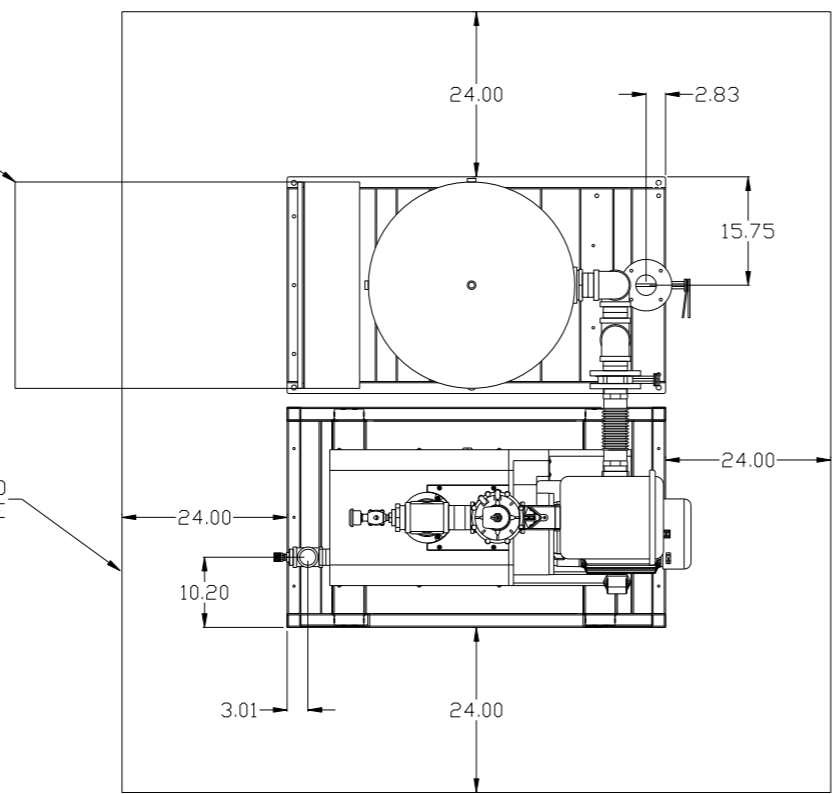


8 7 6 5 4 3 2 1

REV	ZONE	REVISION	DATE	ECN	NAME	CHKD
B-1	ALL	RELEASE TO PRODUCTION	1/2/13	PXEC003	BFH	
C-1	1 ALL	UPDATED BASIC PANEL TO CURRENT DESIGN	12/18/14	PXEC067	AEK	GES
	1 ALL	ADDED 2" CLEARANCE TO PBMI BUILDS				
	1 ALL	UPDATED PUMP TO CURRENT MOTOR				

MINIMUM RECOMMENDED ELECTRICAL PANEL CLEARANCE PER OSHA/NEC REQUIREMENTS

MINIMUM RECOMMENDED MAINTENANCE CLEARANCE

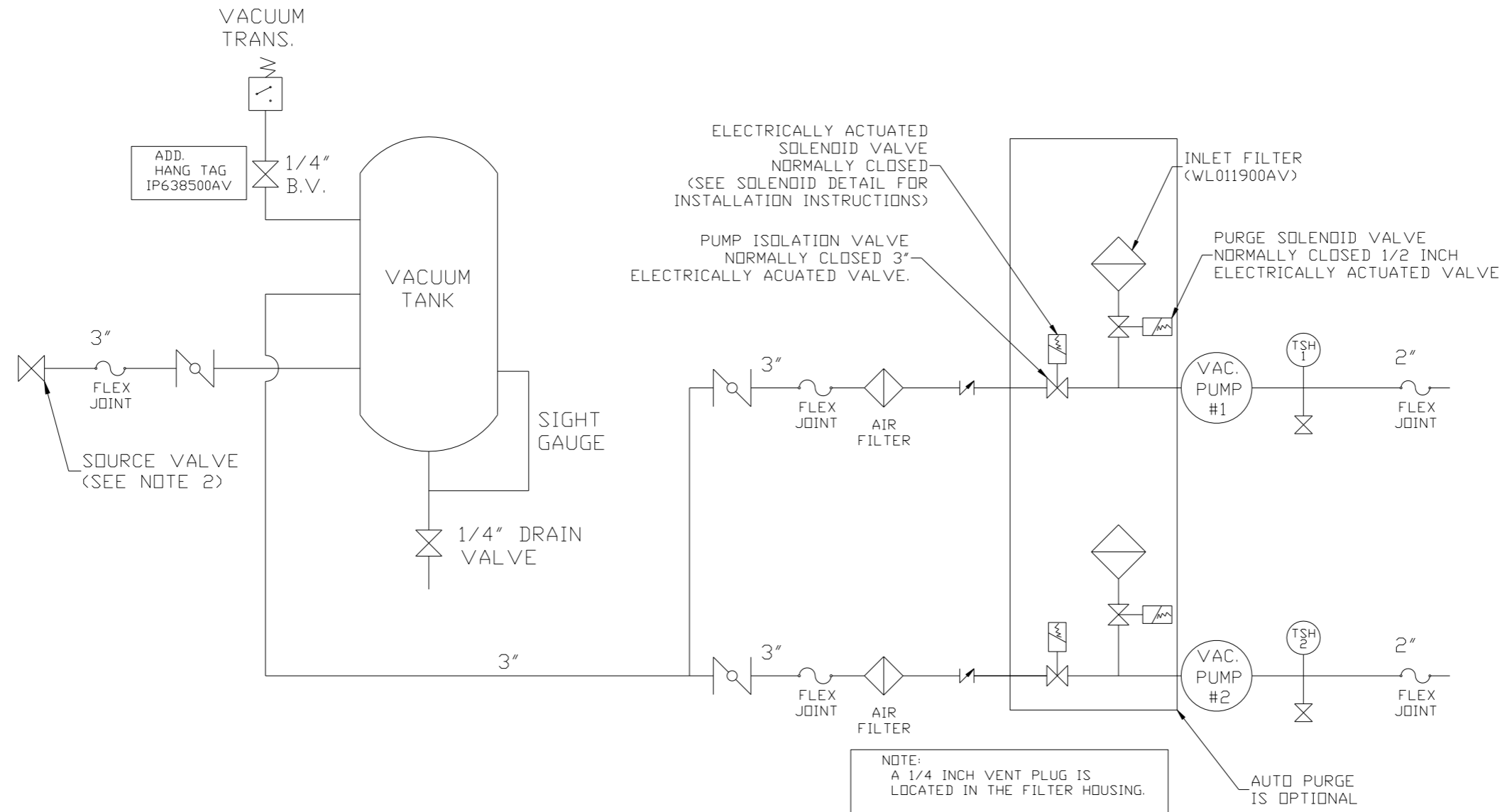


NOTE: AUTO PURGE IS OPTIONAL.

SYMBOL LEGEND ⊖ = MINUS DRAFT ⊕ = PLUS DRAFT Ⓢ = ADDITIONAL CONTROL REQ'D ⓈH = BRINELL HARDNESS		Drawings to conform to the current revision of the following ANSI standards: Y14.3 Multi and sectional view dgs. Y14.5M Dimensioning and tolerancing	
TOLERANCES NOT SPECIFIED .XX ± .XXX ± \angle (DEG) ±		AUTOCAD REL2008 LT INCH DO NOT SCALE DRAWING FOR DIMENSIONS Sheet 1 of 2 SCALE 1:14	
CONFIDENTIAL DISCLOSURE This drawing is the property of POWEREX, INC. of the SCOTT FEITZER COMPANY and subject to return on demand. Its contents are confidential and must not be copied or submitted to outside parties for use or examination.		DRAWN BY: BFH CHECKED BY: DMS APPROVED BY: JBC MFG/MKTG: CT 11/19/12 1/2/13 1/2/13 1/2/13	
MATERIAL: N/A		POWEREX 150 PRODUCTION DRIVE, HARRISON, OHIO 45030 Ph: 888-769-7979 Fax: (513) 367-3125	
PART NAME: 10HP LAB VACUUM 200G DUPLEX		DWG NO: LCPD1005 SIZE: D	

8 7 6 5 4 3 2 1

REV	ZONE	REVISION	DATE	ECN	NAME	CHKD
B-1	ALL	RELEASE TO PRODUCTION	1/2/13	PKE0003	BFH	
C-1	1 ALL	UPDATED BASIC PANEL TO CURRENT DESIGN	12/18/14	PKE0067	AEK	GES
	1 ALL	ADDED 2" CLEARANCE TO PBM BUILDS				
	1 ALL	UPDATED PUMP TO CURRENT MOTOR				



LEGEND

	TEMP. SWITCH		VACUUM SWITCH
	BUTTERFLY VALVE		CHECK VALVE
	AIR FILTER		FLEX LINE
	BALL VALVE		UNION

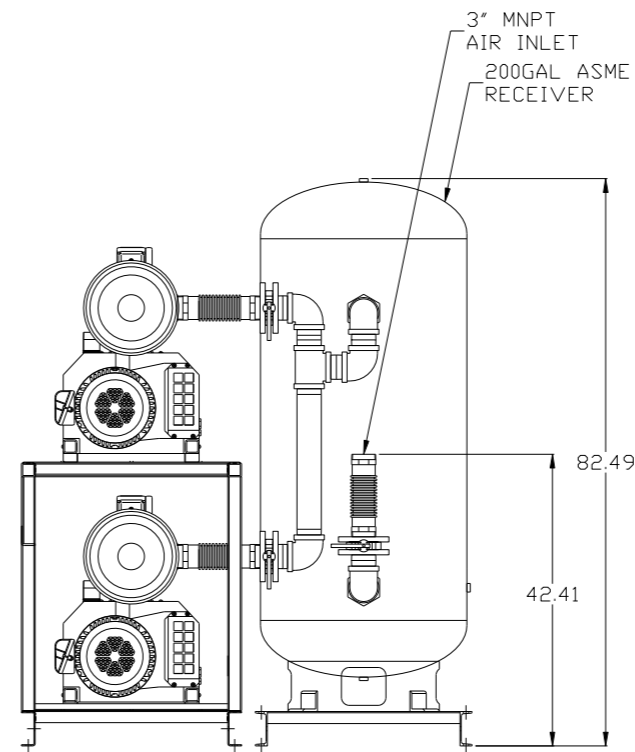
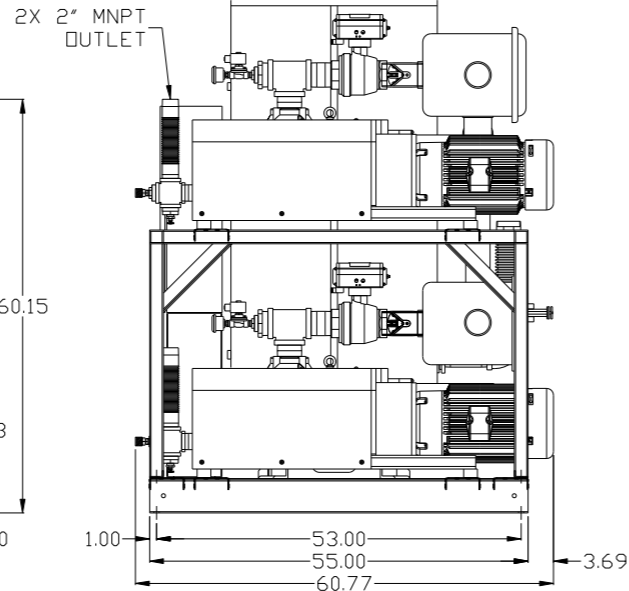
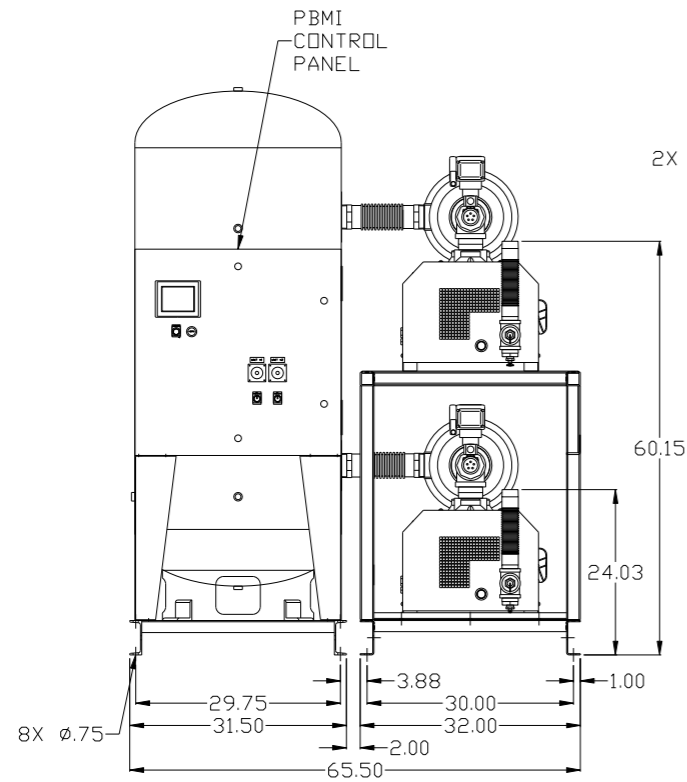
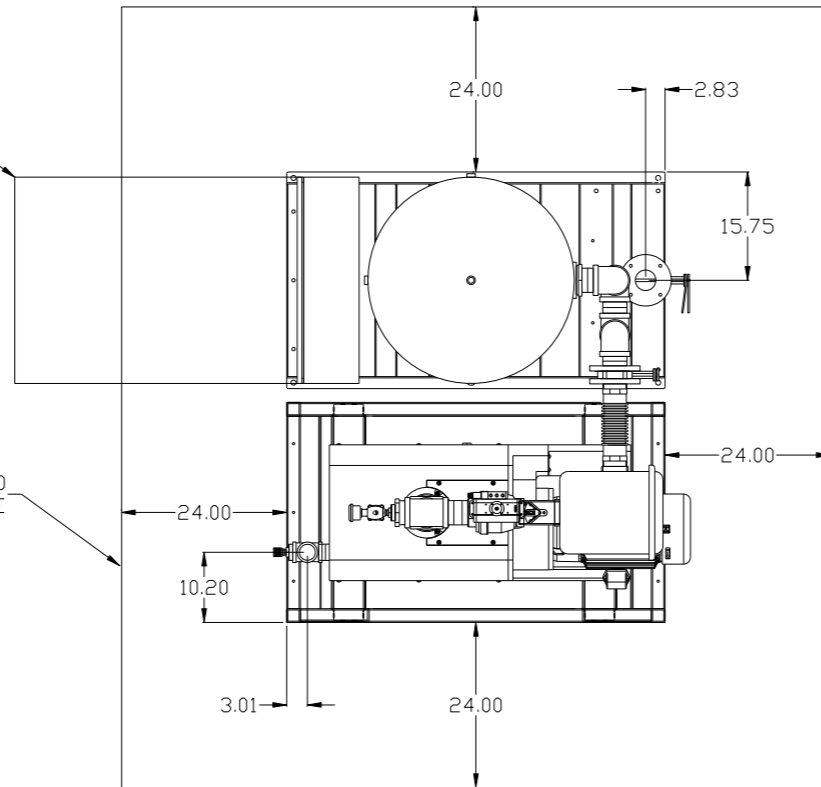
NOTE:
1) TSH - TEMPERATURE SWITCH HIGH
2) PER NFPA THE SYSTEM WILL REQUIRE A SOURCE VALVE (SUPPLIED BY OTHERS).

SYMBOL LEGEND			= ADDITIONAL CONTROL REQ'D		Drawings to conform to the current revision of the following ANSI standards: Y14.3 Multi and sectional view dgs Y14.5M Dimensioning and tolerancing
	= MINUS DRAFT		= BRINELL HARDNESS		
TOLERANCES NOT SPECIFIED		AUTOCAD REL2008 LT		DO NOT SCALE DRAWING FOR DIMENSIONS	
.XX ±		INCH		SCALE 1: 14	
.XXX ±				Sheet 2 of 2	
< (DEG) ±					
CONFIDENTIAL DISCLOSURE This drawing is the property of POWEREX, INC. of the SCOTT FITZGER COMPANY and subject to return on demand. Its contents are confidential and must not be copied or submitted to outside parties for use or examination.					
DRAWN BY	CHECKED BY	APPROVED BY	ENGINEERING	MFG/MKTG	
BFH	DMS	JBC	CT		
11/19/12	1/2/13	1/2/13	1/2/13		
MATERIAL		N/A			
PART NAME		DUPLX CLAW LAB VAC			
FLOW SCHEMATIC		LCPD1005			
DWG NO		LCPD1005B 999			

REV	ZONE	REVISION	DATE	ECN	NAME	CHKD
B-1	ALL	RELEASE TO PRODUCTION	1/2/13	PXEC003	BFH	
C-1	1 ALL	UPDATED BASIC PANEL TO CURRENT DESIGN	12/18/14	PXEC067	AEK	GES
	1 ALL	ADDED 2" CLEARANCE TO PBMI BUILDS				
	1 ALL	UPDATED PUMP TO CURRENT MOTOR				

MINIMUM RECOMMENDED ELECTRICAL PANEL CLEARANCE PER OSHA/NEC REQUIREMENTS

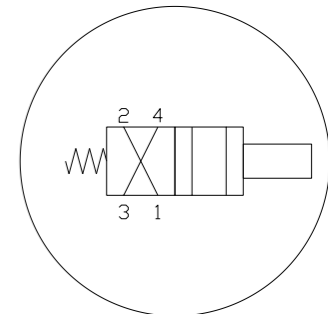
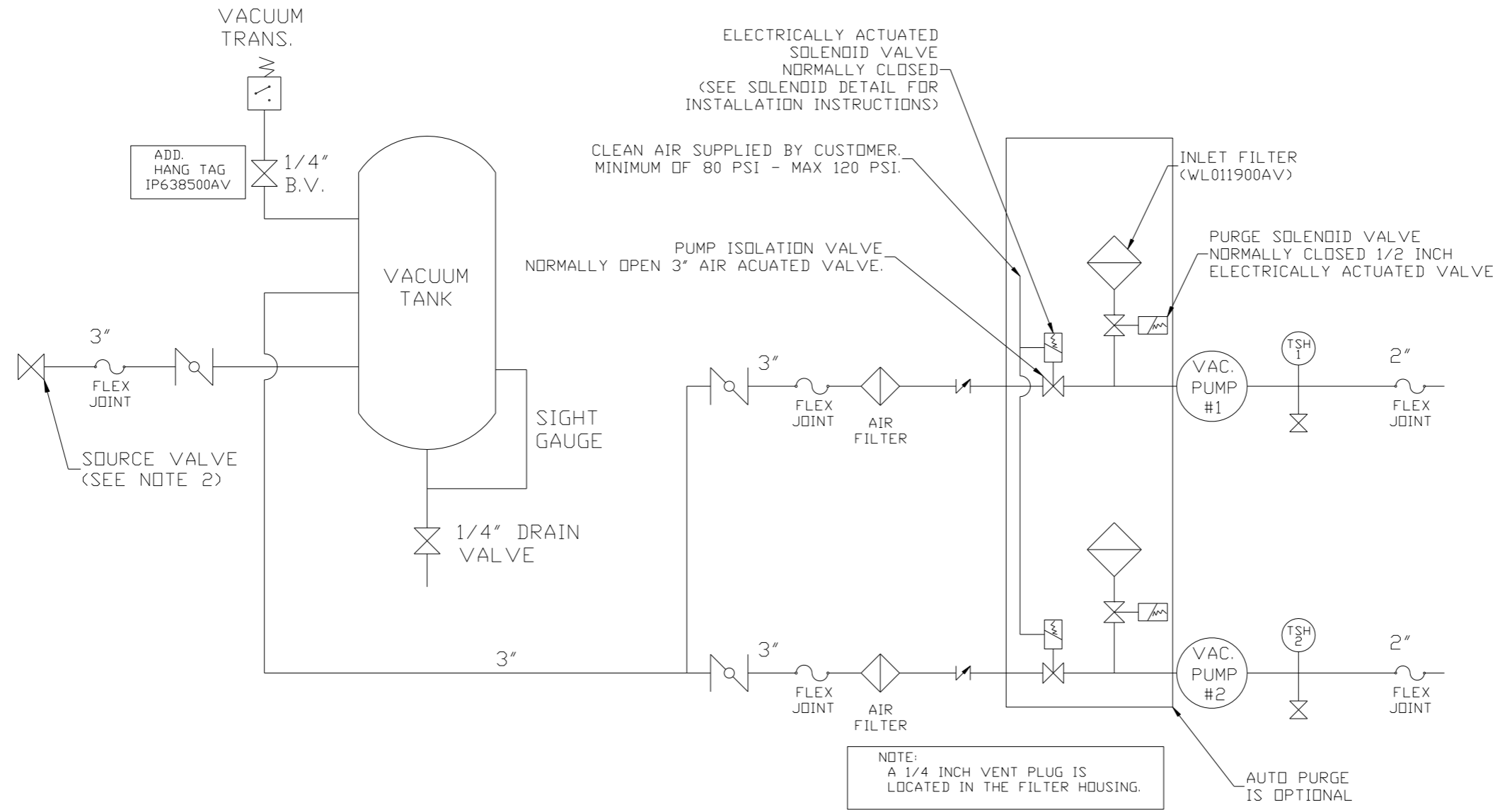
MINIMUM RECOMMENDED MAINTENANCE CLEARANCE



NOTE: AUTO PURGE IS OPTIONAL.

SYMBOL LEGEND		TOLERANCES NOT SPECIFIED		DO NOT SCALE DRAWING FOR DIMENSIONS	
⊖	MINUS DRAFT	.XX ±	AUTOCAD REL2008 LT INCH	Sheet 1 of 2	
⊕	PLUS DRAFT	.XXX ±		SCALE 1:14	
⊖	ADDITIONAL CONTROL REQ'D	<DEG> ±			
⊖	BRINELL HARDNESS				
<small>Drawings to conform to the current revision of the following ANSI standards: Y14.3 Multi and sectional view dsgs. Y14.5M Dimensioning and tolerancing</small>					
<small>CONFIDENTIAL DISCLOSURE This drawing is the property of POWEREX, INC. of the SCOTT FEITZER COMPANY and subject to return on demand. Its contents are confidential and must not be copied or submitted to outside parties for use or examination.</small>		<small>DRAWN BY</small> BFH		<small>CHECKED BY</small> DMS	
<small>APPROVED BY</small> JBC		<small>ENGINEERING</small> MFG/MKTG		<small>CT</small>	
<small>MATERIAL</small> N/A		<small>DATE</small> 11/19/12		<small>DATE</small> 1/2/13	
<small>PART NAME</small> 10HP LAB VACUUM 200G DUPLEX				<small>DATE</small> 1/2/13	
<small>DWG NO</small> LCPD1005		<small>SIZE</small> D		<small>DATE</small> 1/2/13	

REV	ZONE	REVISION	DATE	ECN	NAME	CHKD
B-1	ALL	RELEASE TO PRODUCTION	1/2/13	PXEC003	BFH	
C-1	1 ALL	UPDATED BASIC PANEL TO CURRENT DESIGN	12/18/14	PXEC067	AEX	GES
	1 ALL	ADDED 2" CLEARANCE TO PMI BUILDS				
	1 ALL	UPDATED PUMP TO CURRENT MOTOR				



SOLENOID DETAIL:
 1) VALVE - INPUT #1
 2) MUFFLER - INPUT #2
 3) SUPPLY AIR - INPUT #4

LEGEND	
	TEMP. SWITCH
	VACUUM SWITCH
	BUTTERFLY VALVE
	CHECK VALVE
	AIR FILTER
	FLEX LINE
	BALL VALVE
	UNION

NOTE:
 1) TSH - TEMPERATURE SWITCH HIGH
 2) PER NFPA THE SYSTEM WILL REQUIRE A SOURCE VALVE (SUPPLIED BY OTHERS).

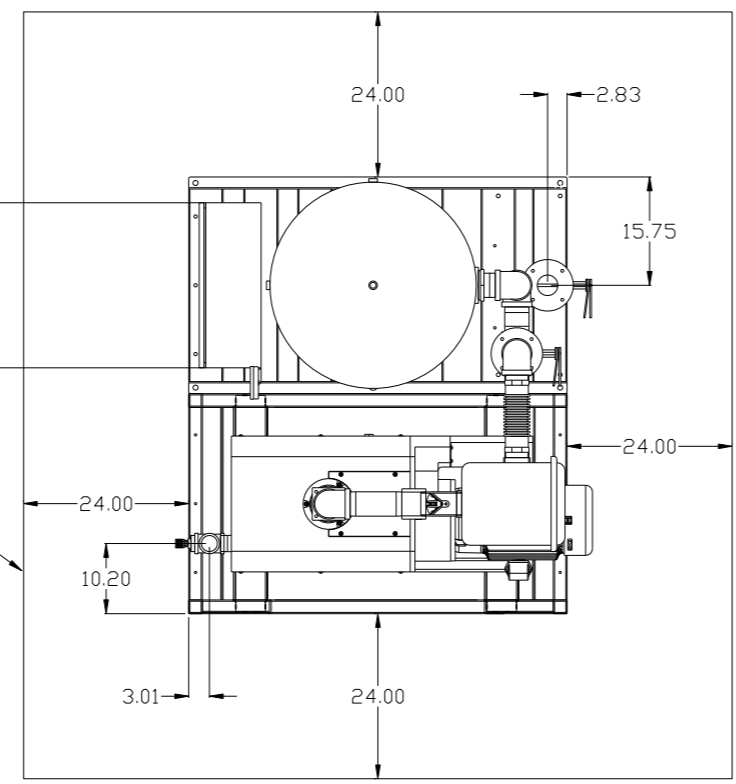
SYMBOL LEGEND ⊖ = MINUS DRAFT ⊕ = PLUS DRAFT Ⓢ = ADDITIONAL CONTROL REQ'D Ⓕ = BRINELL HARDNESS	Drawings to conform to the current revision of the following ANSI standards Y14.3 Multi and sectional view dgs. Y14.5M Dimensioning and tolerancing															
TOLERANCES NOT SPECIFIED .XX ± .XXX ± <ANGLE> ±	AUTOCAD REL2008 LT INCH DO NOT SCALE DRAWING FOR DIMENSIONS Sheet 2 of 2 SCALE 1:14															
CONFIDENTIAL DISCLOSURE This drawing is the property of POWEREX, INC. OF THE SCOTT FETZER COMPANY and subject to return on demand. Its contents are confidential and must not be copied or submitted to outside parties for use or examination.																
MATERIAL N/A	 150 PRODUCTION DRIVE, HARRISON, OHIO 45030 Ph 888-769-7979 FAX (513) 367-3125 <table border="1"> <tr> <th>DRAWN BY</th> <th>CHECKED BY</th> <th>APPROVED BY</th> <th>ENG'G</th> <th>MFG/MKTG</th> </tr> <tr> <td>BFH</td> <td>DMS</td> <td>JBC</td> <td>CT</td> <td></td> </tr> <tr> <td>11/19/12</td> <td>1/2/13</td> <td>1/2/13</td> <td>1/2/13</td> <td></td> </tr> </table>	DRAWN BY	CHECKED BY	APPROVED BY	ENG'G	MFG/MKTG	BFH	DMS	JBC	CT		11/19/12	1/2/13	1/2/13	1/2/13	
DRAWN BY	CHECKED BY	APPROVED BY	ENG'G	MFG/MKTG												
BFH	DMS	JBC	CT													
11/19/12	1/2/13	1/2/13	1/2/13													
PART NAME DUPLEX CLAW LAB VAC FLOW SCHEMATIC	DWG NO LCPD1005 SIZE D															

8 7 6 5 4 3 2 1

REV	ZONE	REVISION	DATE	ECN	NAME	CHKD
B-1	ALL	RELEASE TO PRODUCTION	1/2/13	PXEC003	BFH	
C-1	1 ALL	UPDATED BASIC PANEL TO CURRENT DESIGN	12/18/14	PXEC067	AEK	GES
	1 ALL	ADDED 2" CLEARANCE TO PBM BUILDS				
	1 ALL	UPDATED PUMP TO CURRENT MOTOR				

MINIMUM RECOMMENDED ELECTRICAL PANEL CLEARANCE PER OSHA/NEC REQUIREMENTS

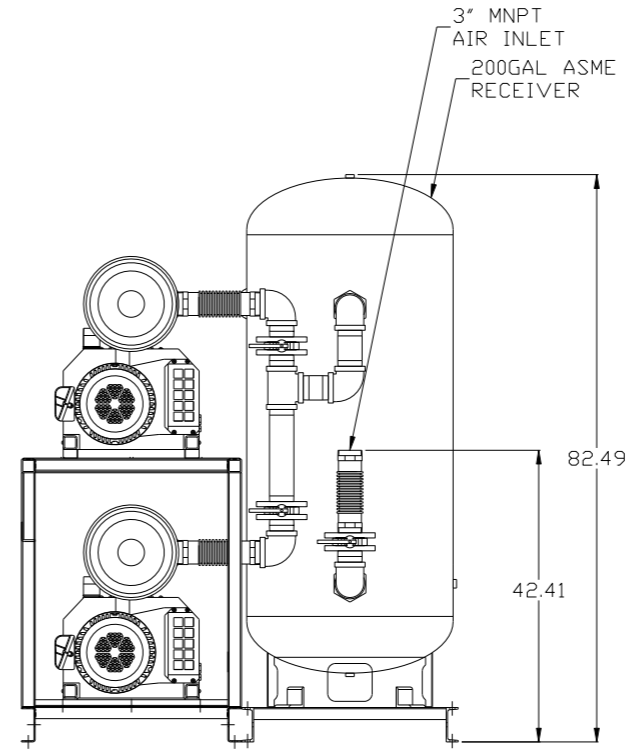
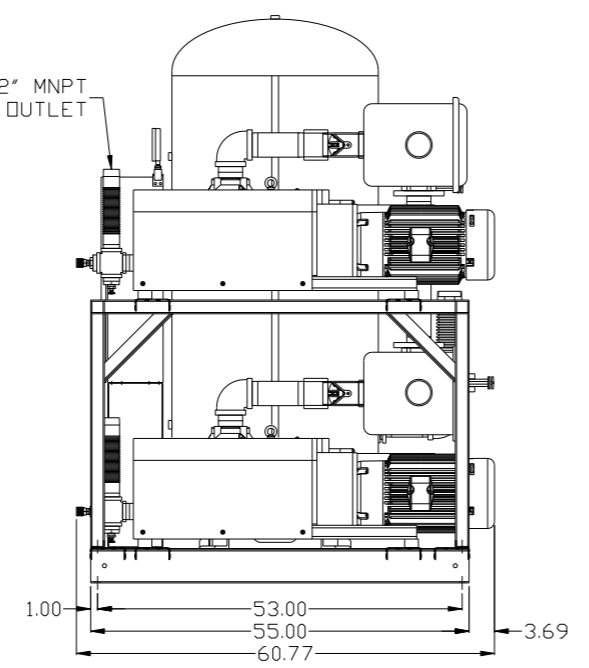
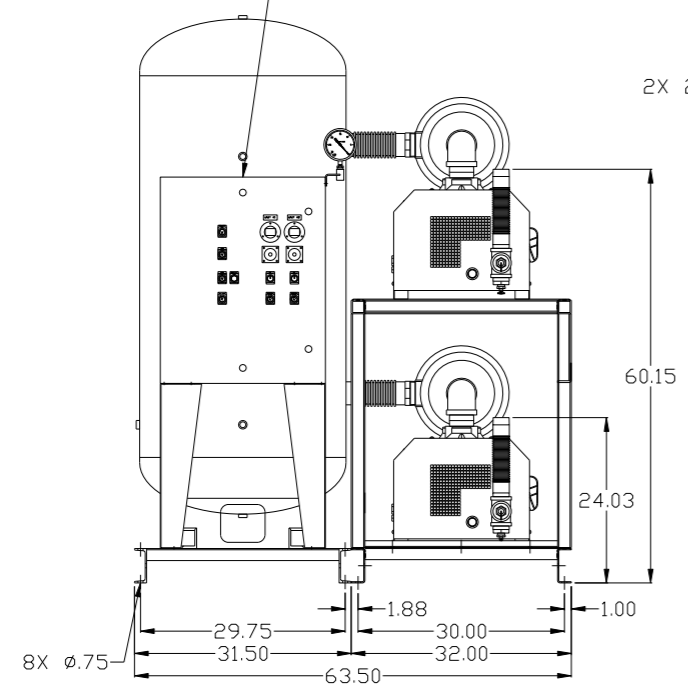
MINIMUM RECOMMENDED MAINTENANCE CLEARANCE



BASIC CONTROL PANEL

2X 2" MNPT OUTLET

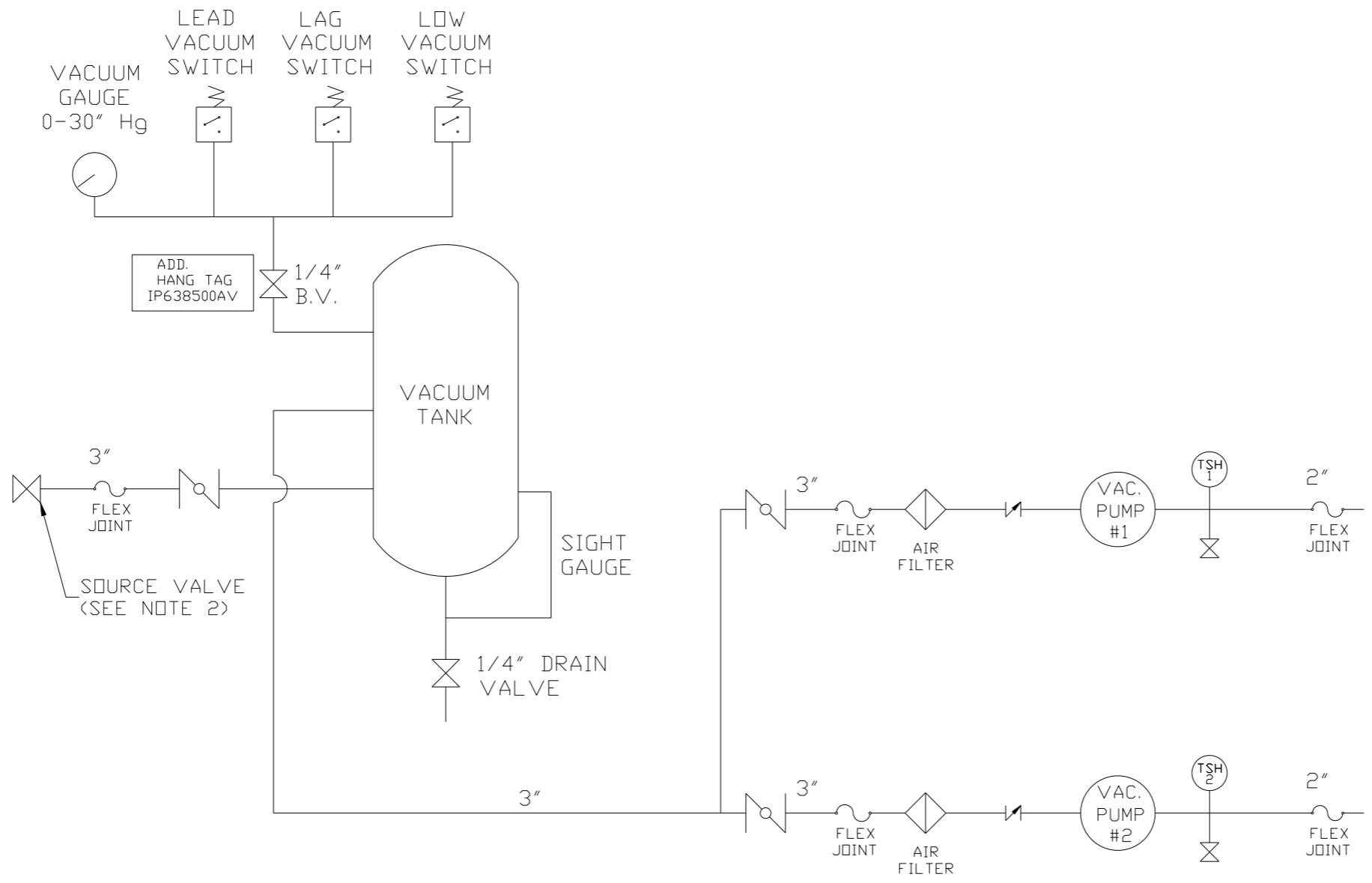
3" MNPT AIR INLET
200GAL ASME RECEIVER



SYMBOL LEGEND ⊖ = MINUS DRAFT ⊕ = PLUS DRAFT Ⓢ = ADDITIONAL CONTROL REQ'D Ⓜ = BRINELL HARDNESS		Drawings to conform to the current revision of the following ANSI standards: Y14.3 Multi and sectional view dgs. Y14.5M Dimensioning and tolerancing	
TOLERANCES NOT SPECIFIED .XX ± .XXX ± \angle (DEG) ±		DO NOT SCALE DRAWING FOR DIMENSIONS Sheet 1 of 2 SCALE 1:14	
CONFIDENTIAL DISCLOSURE This drawing is the property of POWEREX, INC. of the SCOTT FEITZER COMPANY and subject to return on demand. Its contents are confidential and must not be copied or submitted to outside parties for use or examination.			
MATERIAL N/A		POWEREX 150 PRODUCTION DRIVE, HARRISON, OHIO 45030 Ph: 888-769-7979 FAX: (513) 367-3125	
PART NAME 10HP LAB VACUUM 200G DUPLEX		DWG NO LCPD1005 SIZE D	
DRAWN BY BFH		CHECKED BY DMS	
11/19/12		APPROVED BY JBC CT 1/2/13 1/2/13	

8 7 6 5 4 3 2 1

REV	ZONE	REVISION	DATE	ECN	NAME	CHKD
B-1	ALL	RELEASE TO PRODUCTION	1/2/13	PXEC0003	BFH	
C-1	1 ALL	UPDATED BASIC PANEL TO CURRENT DESIGN	12/18/14	PXEC0067	AEK	GES
	1 ALL	ADDED 2" CLEARANCE TO PBM BUILDS				
	1 ALL	UPDATED PUMP TO CURRENT MOTOR				



NOTE:
A 1/4 INCH VENT PLUG IS
LOCATED IN THE FILTER HOUSING.

LEGEND

	TEMP. SWITCH		VACUUM SWITCH
	BUTTERFLY VALVE		CHECK VALVE
	AIR FILTER		FLEX LINE
	BALL VALVE		UNION

NOTE:
1) TSH - TEMPERATURE SWITCH HIGH
2) PER NFPA THE SYSTEM WILL REQUIRE A SOURCE VALVE (SUPPLIED BY OTHERS).

SYMBOL LEGEND			ADDITIONAL CONTROL REQ'D	Drawings to conform to the current revision of the following ANSI standards:	
	MINUS DRAFT		BRINELL HARDNESS	Y14.3 Multi and sectional view dsgs. Y14.5M Dimensioning and tolerancing	
TOLERANCES NOT SPECIFIED		AUTOCAD REL2008 LT	DO NOT SCALE DRAWING FOR DIMENSIONS		
.XX ±	.XXX ±	<<DEG> ±	INCH	Sheet 2 of 2	SCALE 1:14
CONFIDENTIAL DISCLOSURE This drawing is the property of POWEREX, INC. of the SCOTT FETZER COMPANY and subject to return on demand. Its contents are confidential and must not be copied or submitted to outside parties for use or examination.					
DRAWN BY	CHECKED BY	ENGINEERING	MFG/MKTG		
BFH	DMS	JBC	CT		
11/19/12	1/2/13	1/2/13	1/2/13		
MATERIAL		N/A			
PART NAME		DUPLIX CLAW LAB VAC FLOW SCHEMATIC			
DWG NO		LCPD1005		SIZE D	