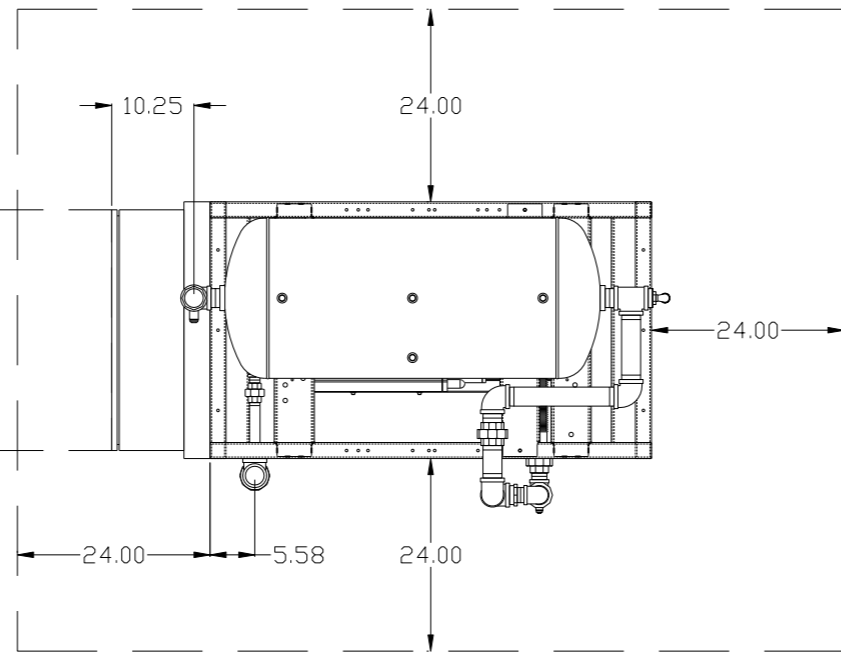
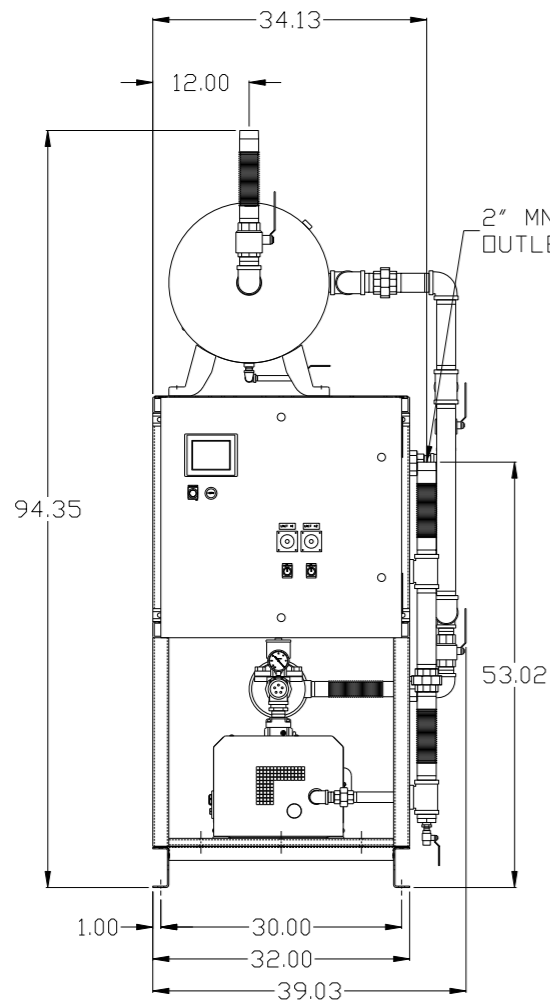


REV	ZONE	REVISION	DATE	ECN	NAME	CHKD
B-1	ALL	RELEASE TO PRODUCTION	1/2/13	PXEC0003	AEK	DMS
C-1	ALL	UPDATED TO PUMP WITH NEMA RATED MOTOR	4/5/17	PXEC0149	AEK	GES

MINIMUM RECOMMENDED ELECTRICAL PANEL CLEARANCE PER OSHA/NEC REQUIREMENTS



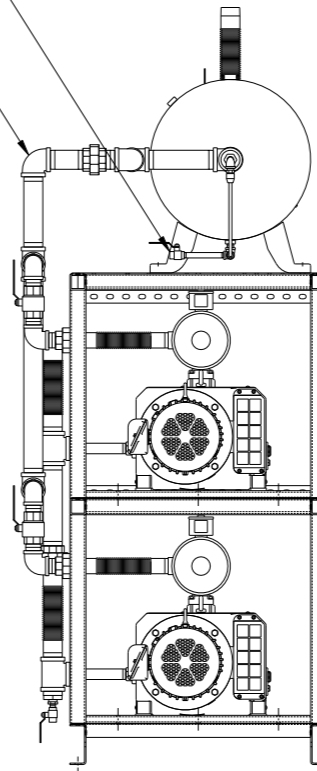
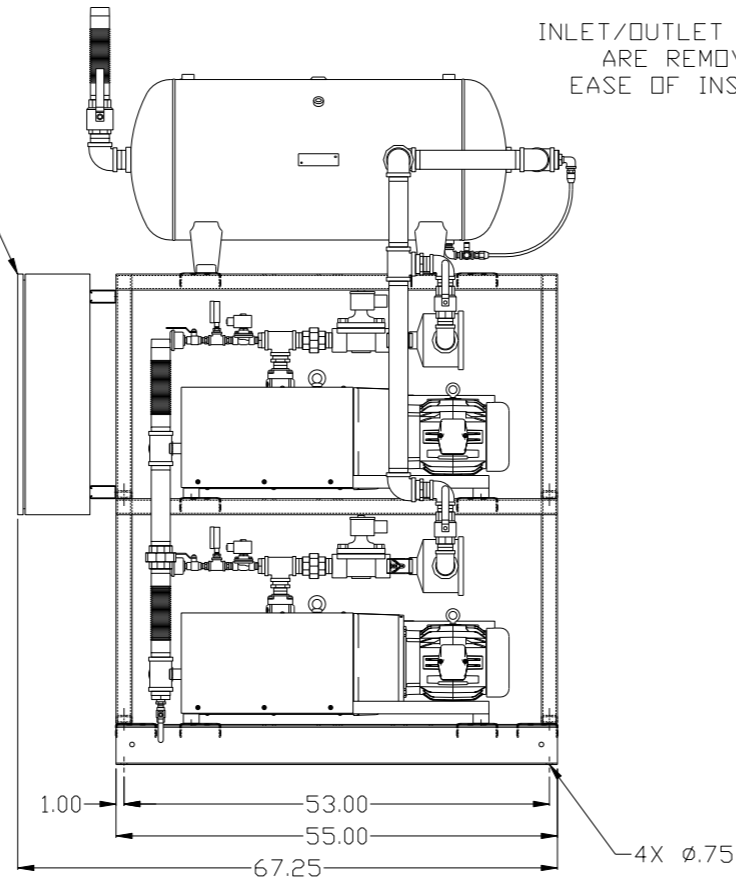
MINIMUM RECOMMENDED MAINTENANCE CLEARANCE



2" MNPT OUTLET

PBMI/HMI CONTROL PANEL

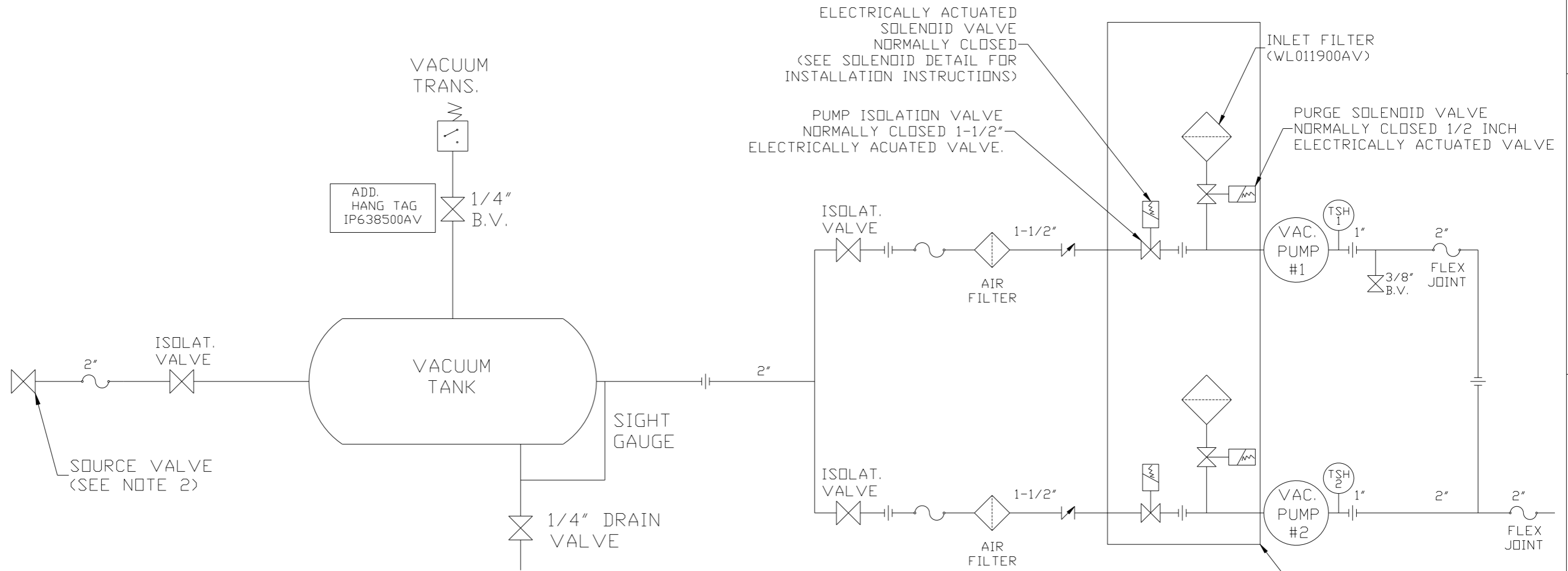
MANUAL DRAIN W/ SIGHT GAUGE  
INLET/OUTLET MANIFOLDS ARE REMOVABLE FOR EASE OF INSTALLATION



NOTE: AUTO PURGE IS OPTIONAL.

SYMBOL LEGEND		= ADDITIONAL CONTROL REQ'D		Drawings to conform to the current revision of the following ANSI standards:	
⊖	MINUS DRAFT	⊕	PLUS DRAFT	⊖	BRINELL HARDNESS
TOLERANCES NOT SPECIFIED		AUTOCAD REL2008 LT		DO NOT SCALE DRAWING FOR DIMENSIONS	
.XX ±		INCH		Sheet 1 of 2	SCALE 1:16
.XXX ±					
< < DEG > ±					
CONFIDENTIAL DISCLOSURE This drawing is the property of POWEREX, INC. of the SCOTT FETZER COMPANY and subject to return on demand. Its contents are confidential and must not be copied or submitted to outside parties for use or examination.					
DRAWN BY		CHECKED BY		APPROVED BY	
AEK		DMS		JBC CT	
1/2/13		1/2/13		1/2/13 1/2/13	
MATERIAL		N/A		 150 PRODUCTION DRIVE, HARRISON, OHIO 45030 Ph: 888-769-7979 FAX: (513) 367-3125	
PART NAME		5HP LAB CLAW VAC		SIZE	
60GAL DUPLEX		LCPDT0502		D	

REV	ZONE	REVISION	DATE	ECN	NAME	CHKD
B-1	ALL	RELEASE TO PRODUCTION	1/2/13	PXEC0003	AEK	DMS
C-1	ALL	UPDATED TO PUMP WITH NEMA RATED MOTOR	4/5/17	PXEC0149	AEK	GES



ELECTRICALLY ACTUATED SOLENOID VALVE NORMALLY CLOSED (SEE SOLENOID DETAIL FOR INSTALLATION INSTRUCTIONS)

PUMP ISOLATION VALVE NORMALLY CLOSED 1-1/2" ELECTRICALLY ACUATED VALVE.

INLET FILTER (WL011900AV)

PURGE SOLENOID VALVE NORMALLY CLOSED 1/2 INCH ELECTRICALLY ACTUATED VALVE

NOTE:  
A 1/4 INCH VENT PLUG IS LOCATED IN THE FILTER HOUSING.

AUTO PURGE IS OPTIONAL

LEGEND

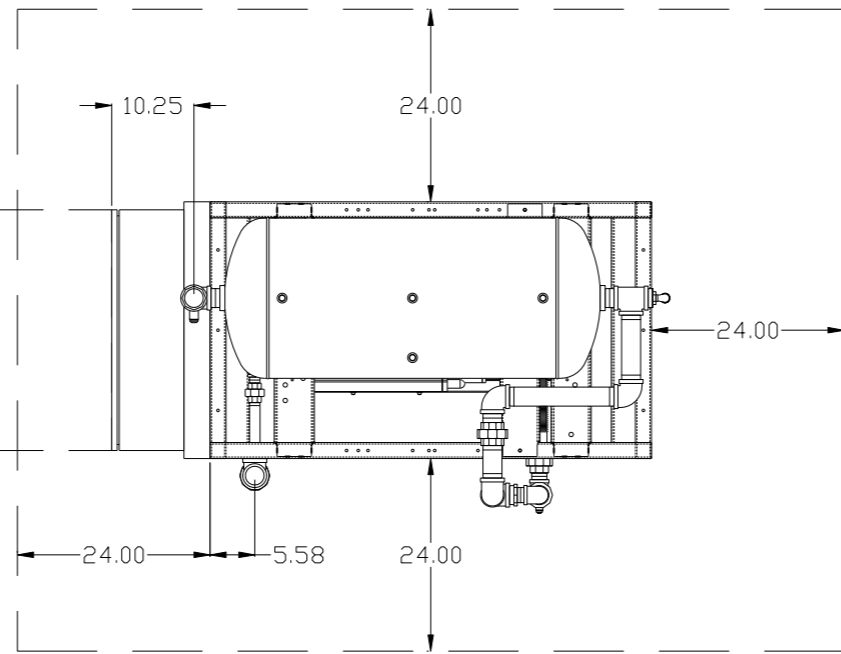
	TEMP. SWITCH		VACUUM SWITCH
	AIR FILTER		CHECK VALVE
	BALL VALVE		FLEX LINE
			UNION

NOTE:  
1) TSH - TEMPERATURE SWITCH HIGH  
2) PER NFPA THE SYSTEM WILL REQUIRE A SOURCE VALVE (SUPPLIED BY OTHERS).

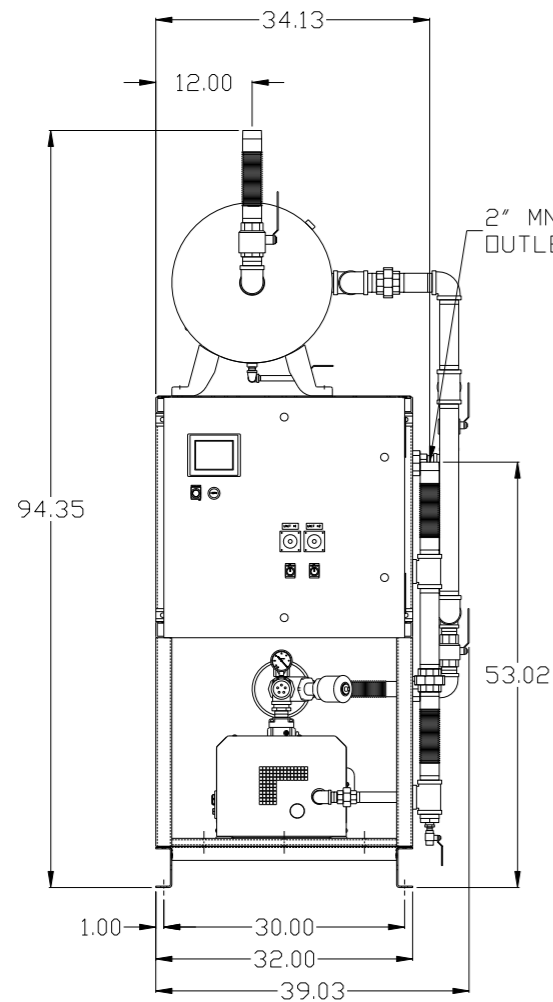
SYMBOL LEGEND			ADDITIONAL CONTROL REQ'D	Drawings to conform to the current revision of the following ANSI standards:	
	MINUS DRAFT		BRINELL HARDNESS	Y14.3 Multi and sectional view dsgs. Y14.5M Dimensioning and tolerancing	
TOLERANCES NOT SPECIFIED		AUTOCAD REL2008 LT		DO NOT SCALE DRAWING FOR DIMENSIONS	
.XX ±		INCH		Sheet 2 of 2	SCALE 1:16
CONFIDENTIAL DISCLOSURE This drawing is the property of POWEREX, INC. OF THE SCOTT FETZER COMPANY and subject to return on demand. Its contents are confidential and must not be copied or submitted to outside parties for use or examination.					
DRAWN BY	CHECKED BY	APPROVED BY		MFG/MRKTG	
AEK	DMS	JBC	CT		
1/2/13	1/2/13	1/2/13	1/2/13		
MATERIAL		N/A			
PART NAME		DUPLX CLAW LAB VAC			
FLOW SCHEMATIC		LCPDT0502			
DWG NO		LCPDT0502		SIZE D	

REV	ZONE	REVISION	DATE	ECN	NAME	CHKD
B-1	ALL	RELEASE TO PRODUCTION	1/2/13	PXEC0003	AEK	DMS
C-1	ALL	UPDATED TO PUMP WITH NEMA RATED MOTOR	4/5/17	PXEC0149	AEK	GES

MINIMUM RECOMMENDED ELECTRICAL PANEL CLEARANCE PER OSHA/NEC REQUIREMENTS



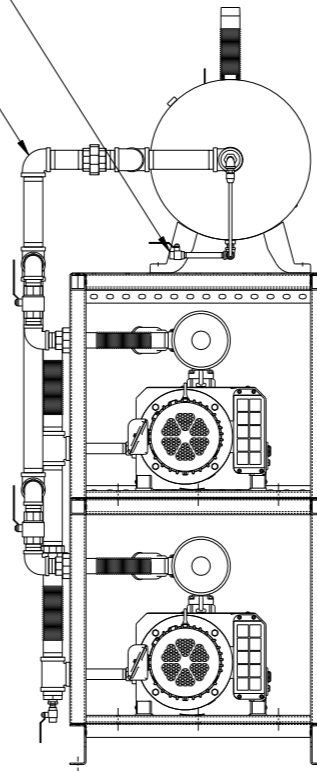
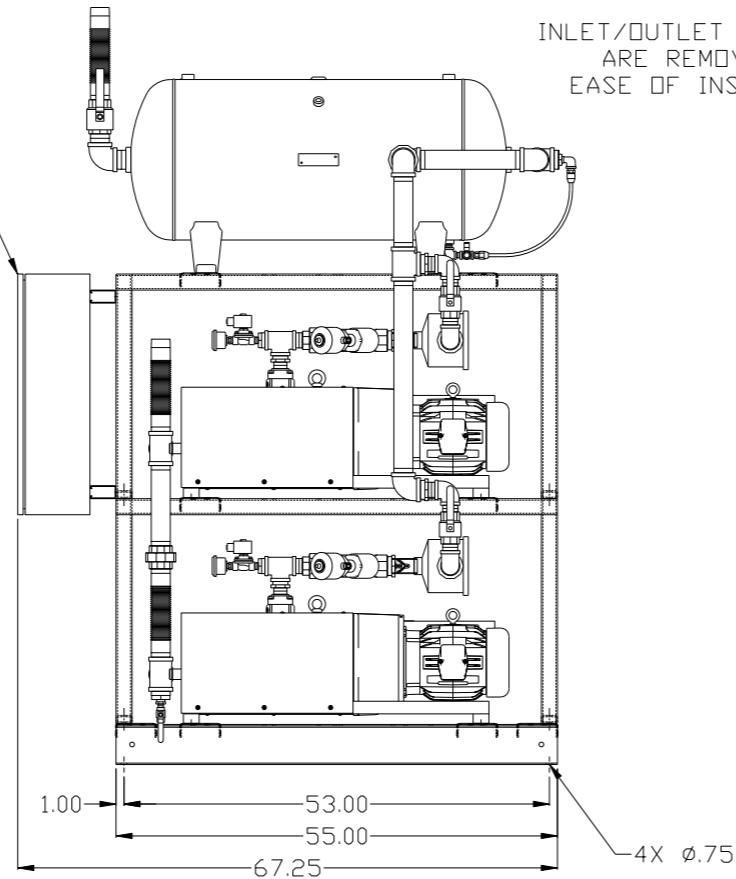
MINIMUM RECOMMENDED MAINTENANCE CLEARANCE



2" MNPT OUTLET

PBMI/HMI CONTROL PANEL

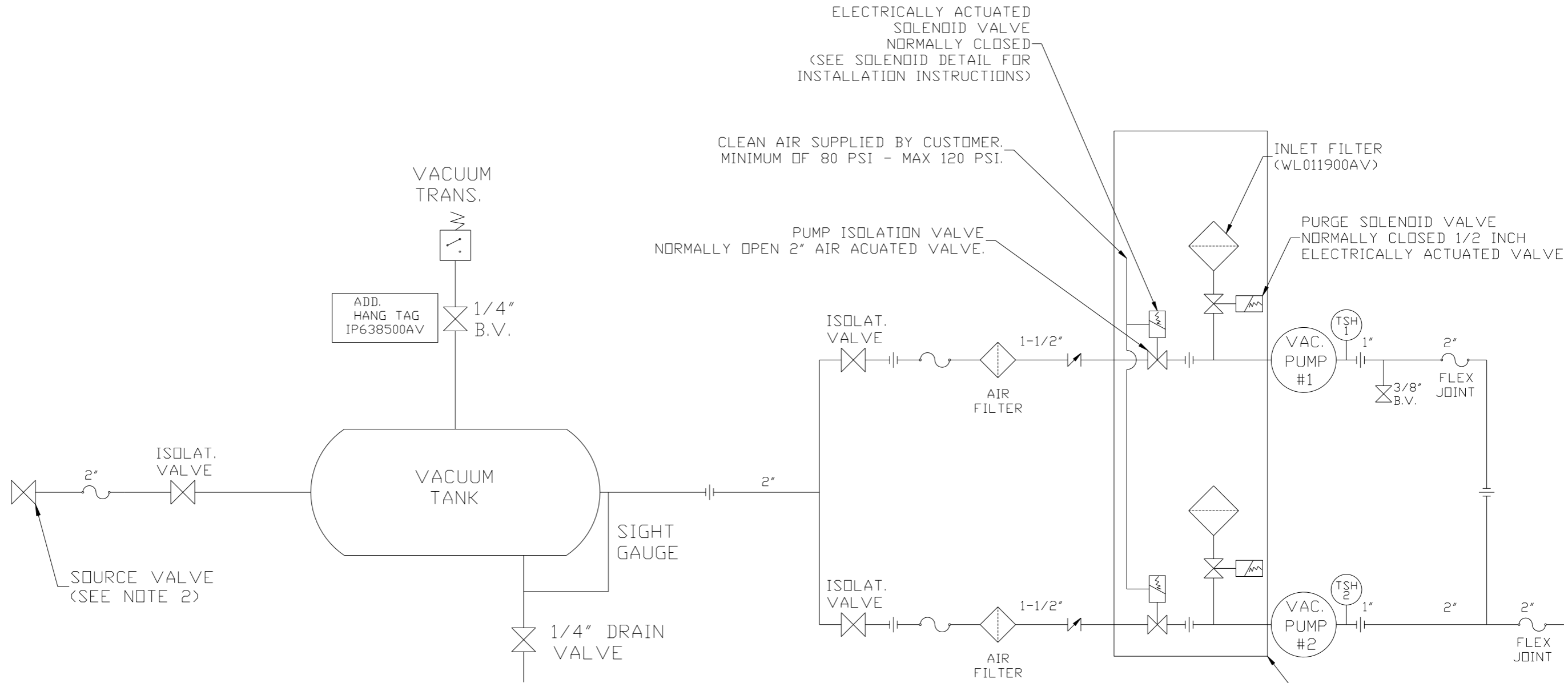
MANUAL DRAIN W/ SIGHT GAUGE  
INLET/OUTLET MANIFOLDS ARE REMOVABLE FOR EASE OF INSTALLATION



NOTE: AUTO PURGE IS OPTIONAL.

SYMBOL LEGEND		= ADDITIONAL CONTROL REQ'D		Drawings to conform to the current revision of the following ANSI standards:	
⊖	MINUS DRAFT	⊕	PLUS DRAFT	⊖	BRINELL HARDNESS
TOLERANCES NOT SPECIFIED		AUTOCAD REL2008 LT		DO NOT SCALE DRAWING FOR DIMENSIONS	
.XX	±	INCH		Sheet 1 of 2	SCALE 1:16
.XXX	±	CONFIDENTIAL DISCLOSURE: This drawing is the property of POWEREX, INC. of the SCOTT FETZER COMPANY and subject to return on demand. Its contents are confidential and must not be copied or submitted to outside parties for use or examination.			
∠(DEG)	±	DRAWN BY	CHECKED BY	APPROVED BY	MFG/MRKTG
		AEK	DMS	JBC	CT
		1/2/13	1/2/13	1/2/13	1/2/13
MATERIAL		N/A			
PART NAME		5HP LAB CLAW VAC 60GAL DUPLEX			
DWG NO		LCPDT0502			
SIZE		D			

REV	ZONE	REVISION	DATE	ECN	NAME	CHKD
B-1	ALL	RELEASE TO PRODUCTION	1/2/13	PXEC0003	AEK	DMS
C-1	ALL	UPDATED TO PUMP WITH NEMA RATED MOTOR	4/5/17	PXEC0149	AEK	GES



ELECTRICALLY ACTUATED SOLENOID VALVE NORMALLY CLOSED (SEE SOLENOID DETAIL FOR INSTALLATION INSTRUCTIONS)

CLEAN AIR SUPPLIED BY CUSTOMER. MINIMUM OF 80 PSI - MAX 120 PSI.

PUMP ISOLATION VALVE NORMALLY OPEN 2" AIR ACUATED VALVE.

INLET FILTER (WL011900AV)

PURGE SOLENOID VALVE NORMALLY CLOSED 1/2 INCH ELECTRICALLY ACTUATED VALVE

SOURCE VALVE (SEE NOTE 2)

SIGHT GAUGE

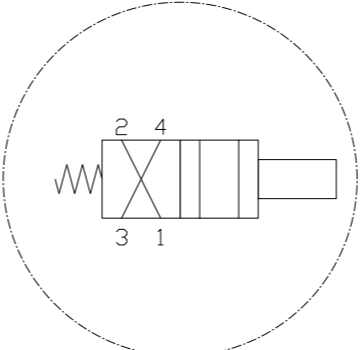
1/4" DRAIN VALVE

NOTE: A 1/4 INCH VENT PLUG IS LOCATED IN THE FILTER HOUSING.

AUTO PURGE IS OPTIONAL

LEGEND

	TEMP. SWITCH		VACUUM SWITCH
	AIR FILTER		CHECK VALVE
	BALL VALVE		FLEX LINE
			UNION



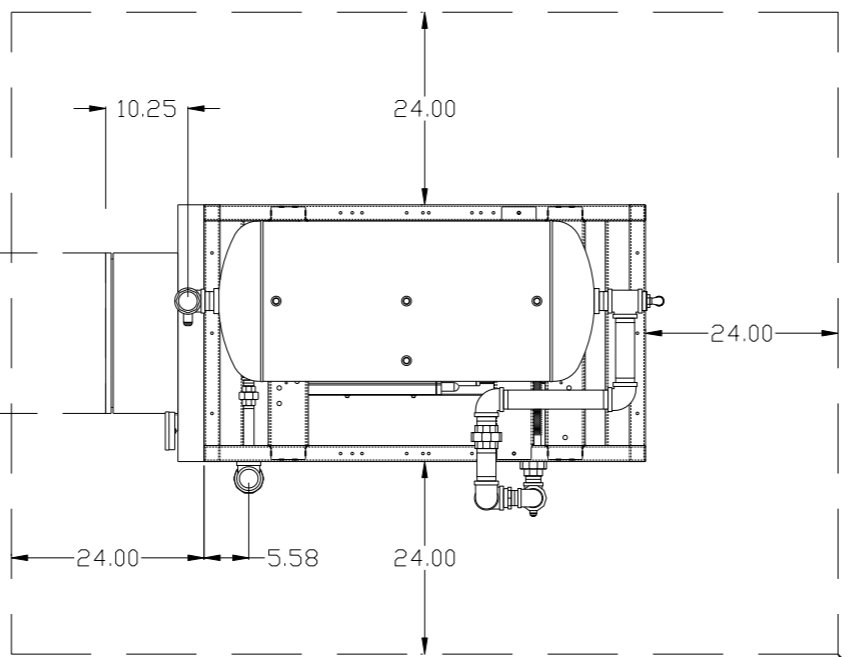
SOLENOID DETAIL:  
 1) VALVE - INPUT #1  
 2) MUFFLER - INPUT #2  
 3) SUPPLY AIR - INPUT #4

NOTE:  
 1) TSH - TEMPERATURE SWITCH HIGH  
 2) PER NFPA THE SYSTEM WILL REQUIRE A SOURCE VALVE (SUPPLIED BY OTHERS).

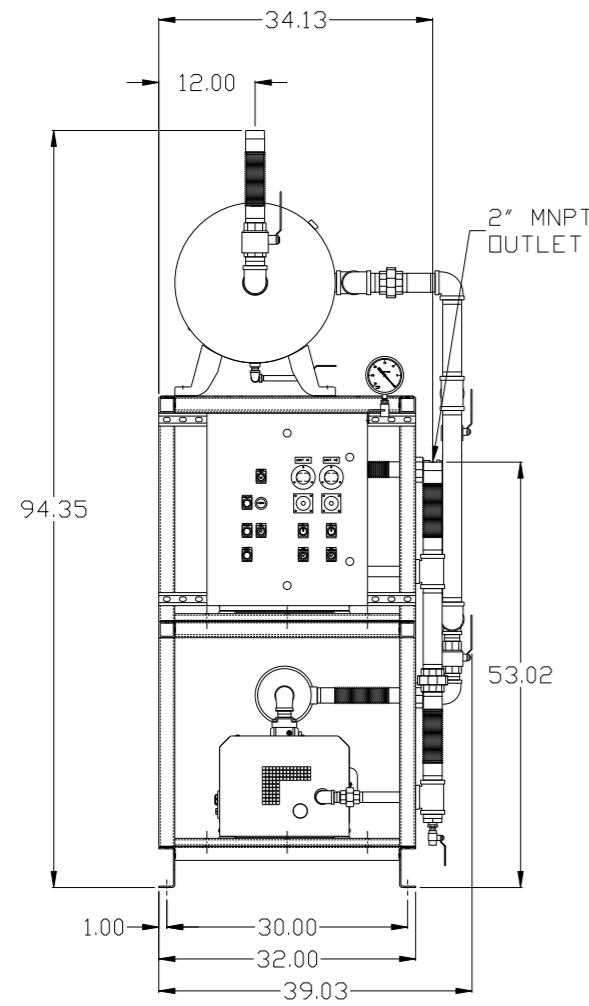
SYMBOL LEGEND		TOLERANCES NOT SPECIFIED		DO NOT SCALE DRAWING FOR DIMENSIONS	
⊖	MINUS DRAFT	XX	±	Sheet 2 of 2	SCALE 1:16
⊕	PLUS DRAFT	.XXX	±		
⊖	ADDITIONAL CONTROL REQ'D	<<DEG>	±		
⊕	BRINELL HARDNESS	AUTOCAD REL2008 LT			
CONFIDENTIAL DISCLOSURE: This drawing is the property of POWEREX, INC. of the SCOTT FETZER COMPANY and subject to return on demand. Its contents are confidential and must not be copied or submitted to outside parties for use or examination.		DRAWN BY AEK		CHECKED BY DMS	APPROVED BY JBC CT
MATERIAL N/A		1/2/13		1/2/13	1/2/13
PART NAME DUPLEX CLAW LAB VAC FLOW SCHEMATIC		DRAWN BY AEK		APPROVED BY JBC CT	
DWG NO LCPDT0502		SIZE D		LCPDT0502B.dwg	

REV	ZONE	REVISION	DATE	ECN	NAME	CHKD
B-1	ALL	RELEASE TO PRODUCTION	1/2/13	PXEC0003	AEK	DMS
C-1	ALL	UPDATED TO PUMP WITH NEMA RATED MOTOR	4/5/17	PXEC0149	AEK	GES

MINIMUM RECOMMENDED ELECTRICAL PANEL CLEARANCE PER OSHA/NEC REQUIREMENTS

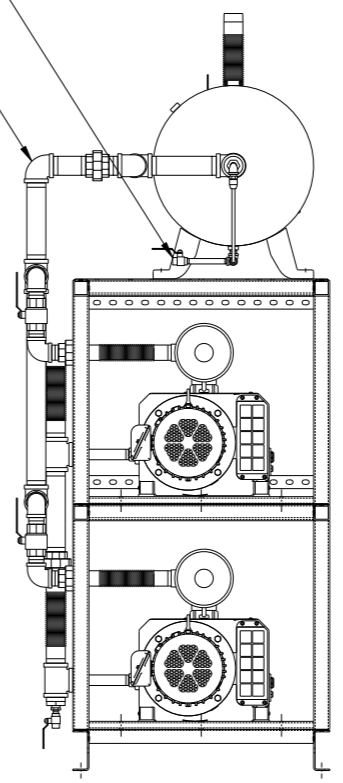
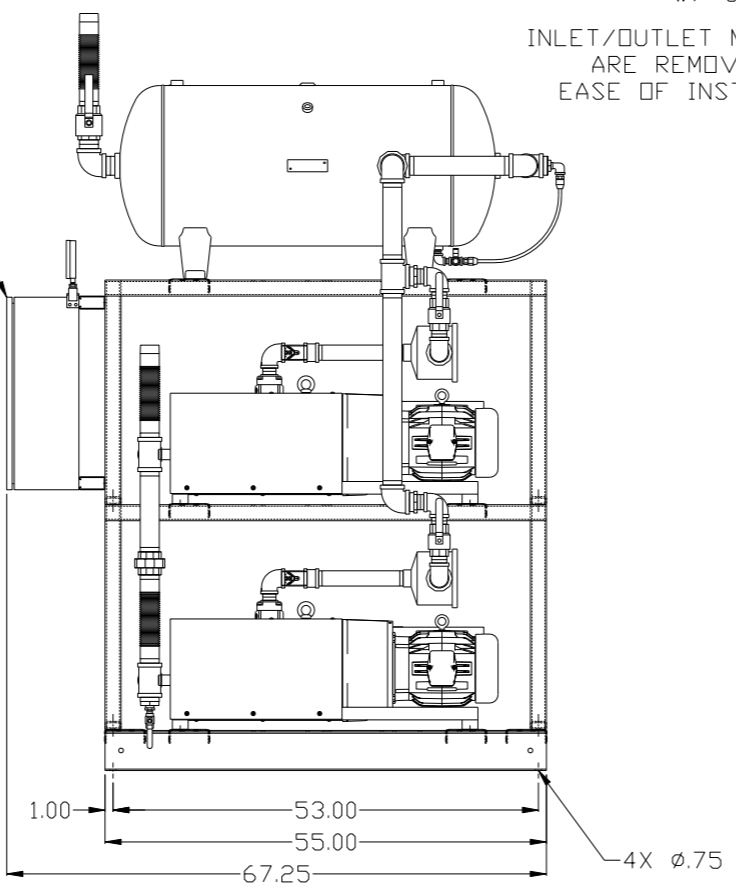


MINIMUM RECOMMENDED MAINTENANCE CLEARANCE



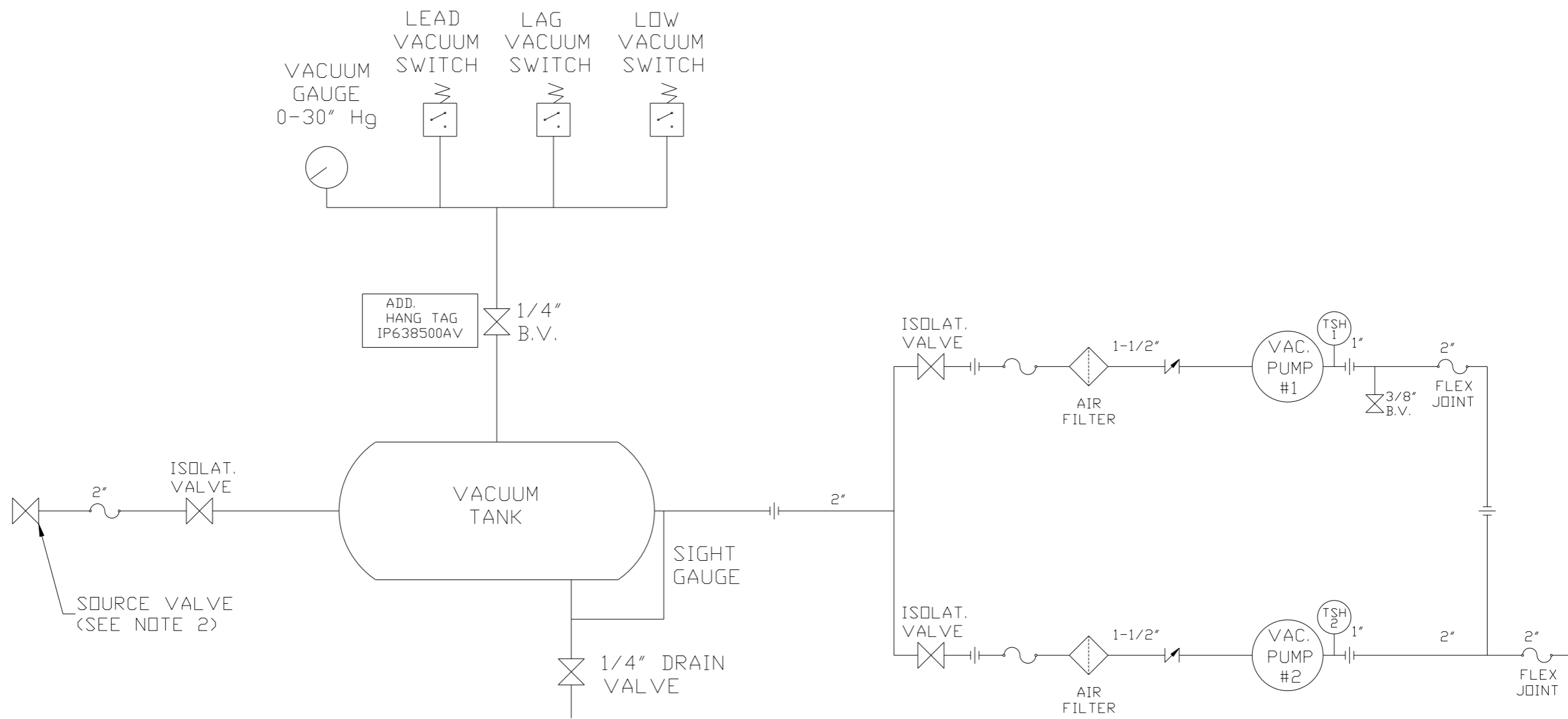
CONTROL PANEL

MANUAL DRAIN W/ SIGHT GAUGE  
INLET/OUTLET MANIFOLDS ARE REMOVABLE FOR EASE OF INSTALLATION



<b>SYMBOL LEGEND</b> ⊖ = MINUS DRAFT ⊕ = PLUS DRAFT <small>TOLERANCES NOT SPECIFIED .XX ± .XXX ± ∠(DEG) ±</small>		= ADDITIONAL CONTROL REQ'D = BRINELL HARDNESS <small>Drawings to conform to the current revision of the following ANSI standards Y14.3 Multi and sectional view dsgs Y14.5M Dimensioning and tolerancing</small>	
<small>AUTOCAD REL2008 LT</small> <b>INCH</b>		<b>DO NOT SCALE DRAWING FOR DIMENSIONS</b> Sheet 1 of 2 SCALE 1:16	
<small>CONFIDENTIAL DISCLOSURE This drawing is the property of POWEREX, INC. of the SCOTT FETZER COMPANY and subject to return on demand. Its contents are confidential and must not be copied or submitted to outside parties for use or examination.</small>			
<small>DRAWN BY</small> AEK	<small>CHECKED BY</small> DMS	<small>APPROVED BY</small> JBC	<small>ENGR/MKTG</small> CT
<small>DATE</small> 1/2/13	<small>DATE</small> 1/2/13	<small>DATE</small> 1/2/13	<small>DATE</small> 1/2/13
<small>MATERIAL</small> N/A		 <small>150 PRODUCTION DRIVE, HARRISON, OHIO 45030 Ph: 888-769-7979 FAX: (513) 367-3125</small>	
<small>PART NAME</small> 5HP LAB CLAW VAC 60GAL DUPLEX		<small>DWG NO</small> LCPDT0502	<small>SIZE</small> D

REV	ZONE	REVISION	DATE	ECN	NAME	CHKD
B-1	ALL	RELEASE TO PRODUCTION	1/2/13	PXEC0003	AEK	DMS
C-1	ALL	UPDATED TO PUMP WITH NEMA RATED MOTOR	4/5/17	PXEC0149	AEK	GES



NOTE:  
A 1/4 INCH VENT PLUG IS  
LOCATED IN THE FILTER HOUSING.

LEGEND

	TEMP. SWITCH		VACUUM SWITCH
	AIR FILTER		CHECK VALVE
	BALL VALVE		FLEX LINE
			UNION

NOTE:  
1) TSH - TEMPERATURE SWITCH HIGH  
2) PER NFPA THE SYSTEM WILL REQUIRE A SOURCE VALVE (SUPPLIED BY OTHERS).

SYMBOL LEGEND		= ADDITIONAL CONTROL REQ'D		Drawings to conform to the current revision of the following ANSI standards:	
⊖	MINUS DRAFT	⊕	PLUS DRAFT	Y14.3	Multi and sectional view dgs.
⊕	MINUS DRAFT	⊖	PLUS DRAFT	Y14.5M	Dimensioning and tolerancing
TOLERANCES NOT SPECIFIED		AUTOCAD REL2008 LT		DO NOT SCALE DRAWING FOR DIMENSIONS	
.XX ±		INCH		Sheet 2 of 2	SCALE 1:16
CONFIDENTIAL DISCLOSURE This drawing is the property of POWEREX, INC. of the SCOTT FETZER COMPANY and subject to return on demand. Its contents are confidential and must not be copied or submitted to outside parties for use or examination.					
DRAWN BY	CHECKED BY	APPROVED BY	ENGINEERING	MFG/MKTG	
AEK	DMS	JBC	CT		
1/2/13	1/2/13	1/2/13	1/2/13		
MATERIAL		N/A			
PART NAME		DUPLX CLAW LAB VAC		150 PRODUCTION DRIVE, HARRISON, OHIO 45030 Ph: 888-769-7979 FAX: (513) 367-3125	
FLOW SCHEMATIC		LCPDT0502		SIZE D	