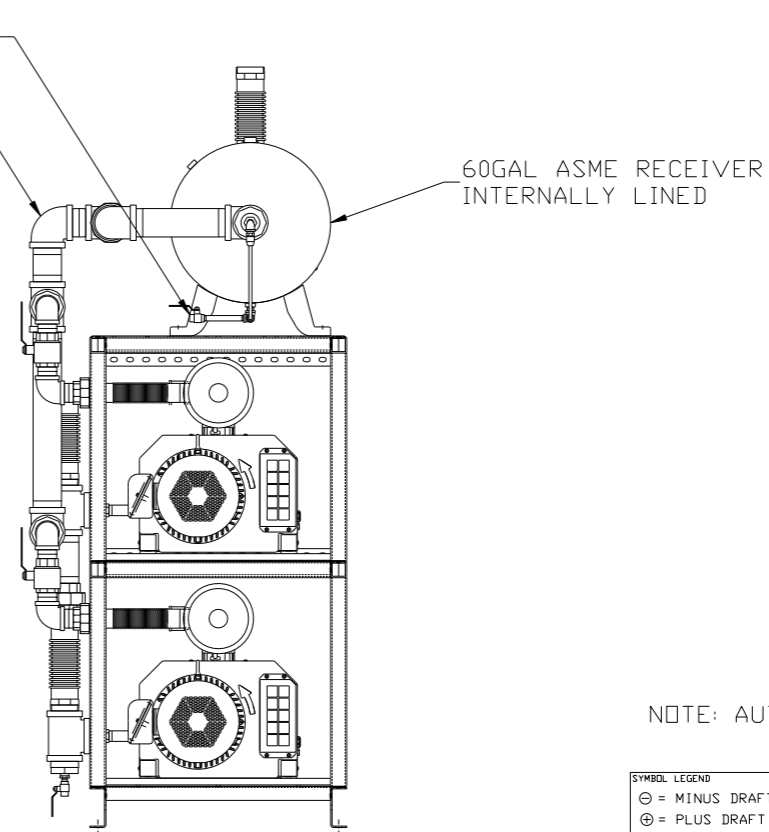
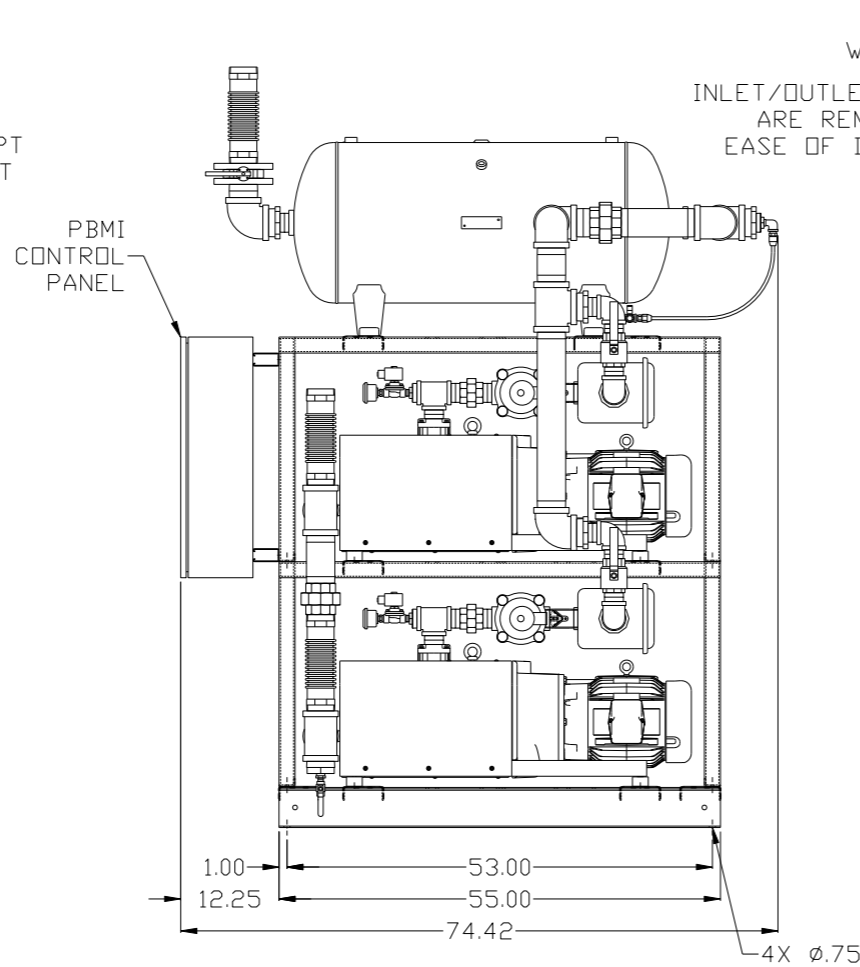
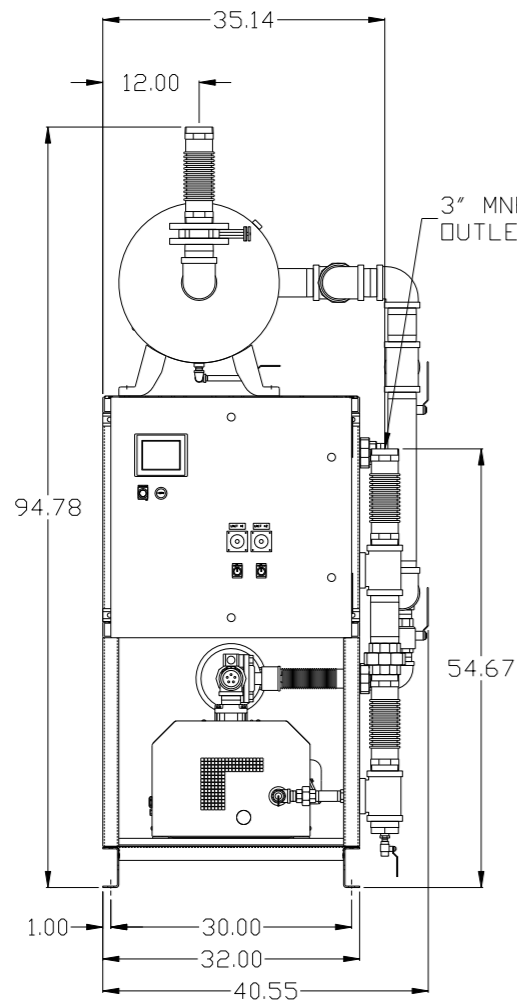
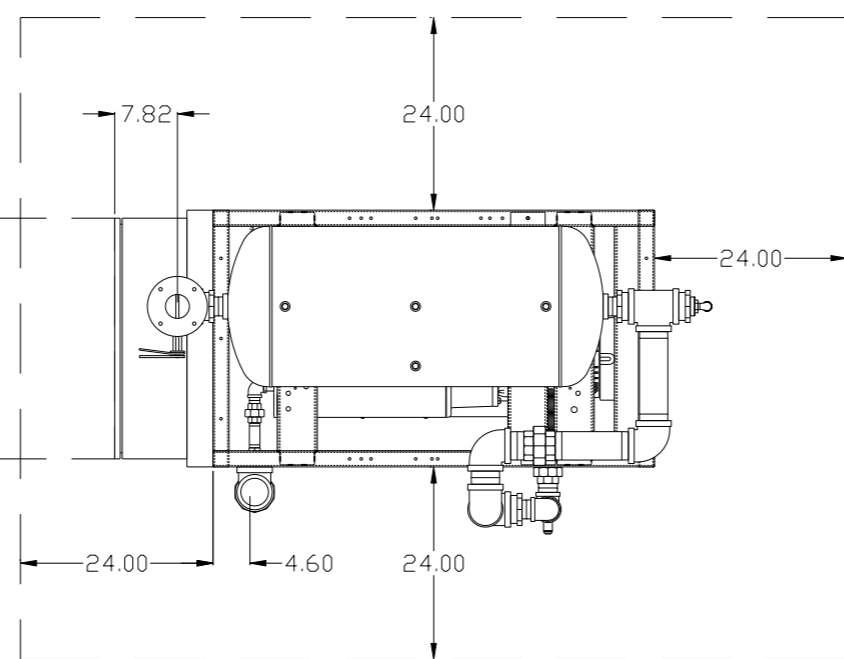


REV	ZONE	REVISION	DATE	ECN	NAME	CHKD
B-1	ALL	RELEASE TO PRODUCTION	1/2/13	PXEC0003	AEK	DMS
C-1	1 AL	UPDATED TO PUMP WITH NEMA RATED MOTOR	8/26/16	PXEC0149	AEK	GES

MINIMUM RECOMMENDED ELECTRICAL PANEL CLEARANCE PER OSHA/NEC REQUIREMENTS

MINIMUM RECOMMENDED MAINTENANCE CLEARANCE

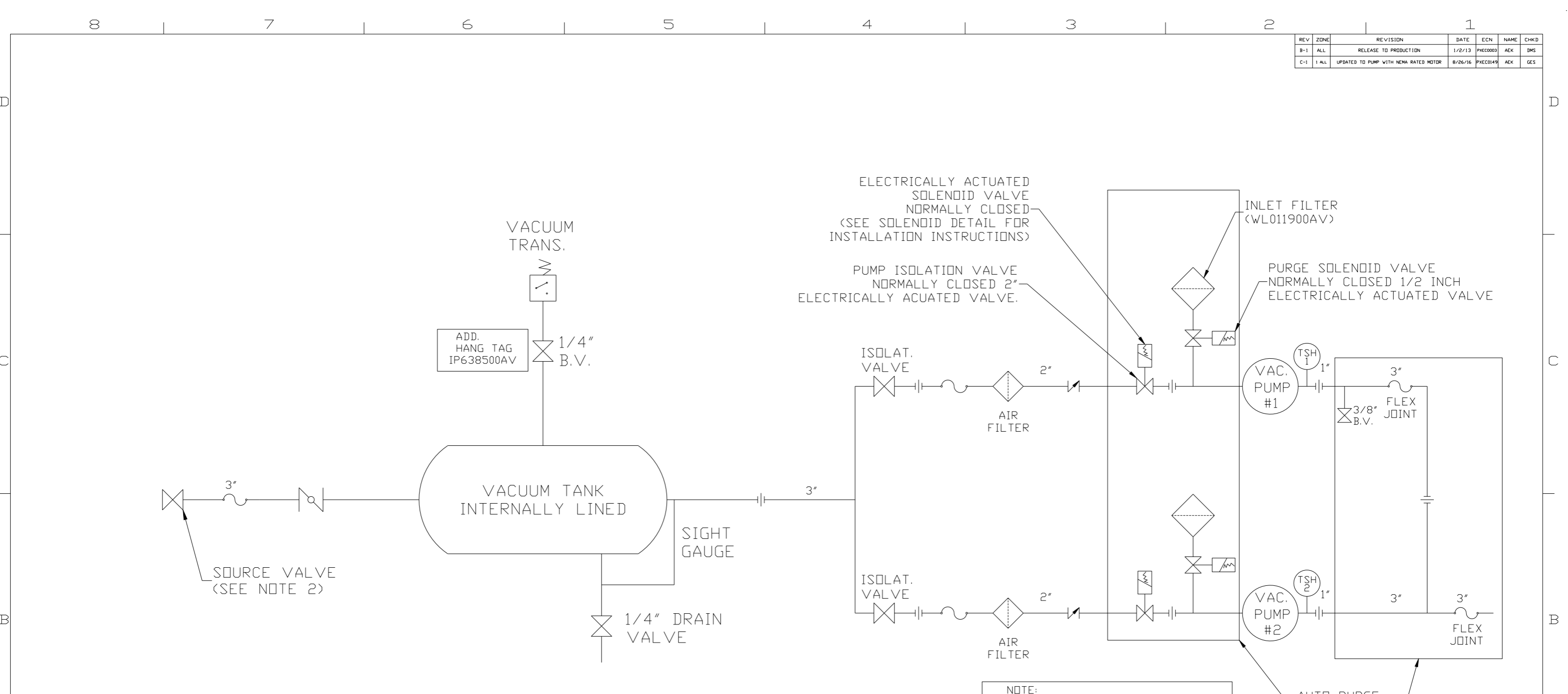


NOTE: EXHAUST MANIFOLD SHIPPED LOOSE FOR FIELD INSTALLATION.

NOTE: AUTO PURGE IS OPTIONAL.

SYMBOL LEGEND ⊖ = MINUS DRAFT ⊕ = PLUS DRAFT ∅ = ADDITIONAL CONTROL REQ'D HB = BRINELL HARDNESS		Drawings to conform to the current revision of the following ANSI standards: Y14.3 Multi and sectional view dsgs. Y14.5M Dimensioning and tolerancing	
TOLERANCES NOT SPECIFIED .XX ± .XXX ± <<DEG> ±		AUTOCAD REL2008 LT INCH	
DO NOT SCALE DRAWING FOR DIMENSIONS Sheet 1 of 2		SCALE 1:16	
CONFIDENTIAL DISCLOSURE This drawing is the property of POWEREX, INC. of the SCOTT FETZER COMPANY and subject to return on demand. Its contents are confidential and must not be copied or submitted to outside parties for use or examination.			
DRAWN BY AEK	CHECKED BY DMS	APPROVED BY JBC	MFG/MKTG CT
1/2/13	1/2/13	1/2/13	1/2/13
MATERIAL N/A		 150 PRODUCTION DRIVE, HARRISON, OHIO 45030 Ph: 888-769-7979 FAX: (513) 367-3125	
PART NAME 7HP LAB CLAW VAC 60GAL DUPLEX		DWG NO LCPDT0702	SIZE D

REV	ZONE	REVISION	DATE	ECN	NAME	CHKD
B-1	ALL	RELEASE TO PRODUCTION	1/2/13	PXEC0003	AEK	DMS
C-1	ALL	UPDATED TO PUMP WITH NEMA RATED MOTOR	8/26/16	PXEC0149	AEK	GES



LEGEND	
	TEMP. SWITCH
	AIR FILTER
	BALL VALVE
	BUTTERFLY VALVE
	VACUUM SWITCH
	CHECK VALVE
	FLEX LINE
	UNION

NOTE:
 1) TSH - TEMPERATURE SWITCH HIGH
 2) PER NFPA THE SYSTEM WILL REQUIRE A SOURCE VALVE (SUPPLIED BY OTHERS).

NOTE:
 A 1/4 INCH VENT PLUG IS LOCATED IN THE FILTER HOUSING.

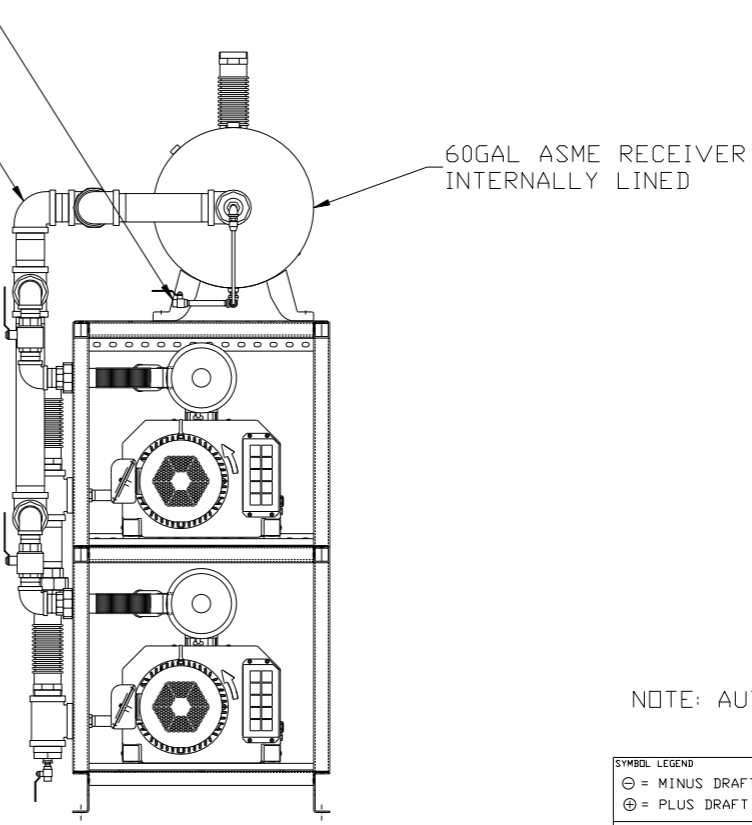
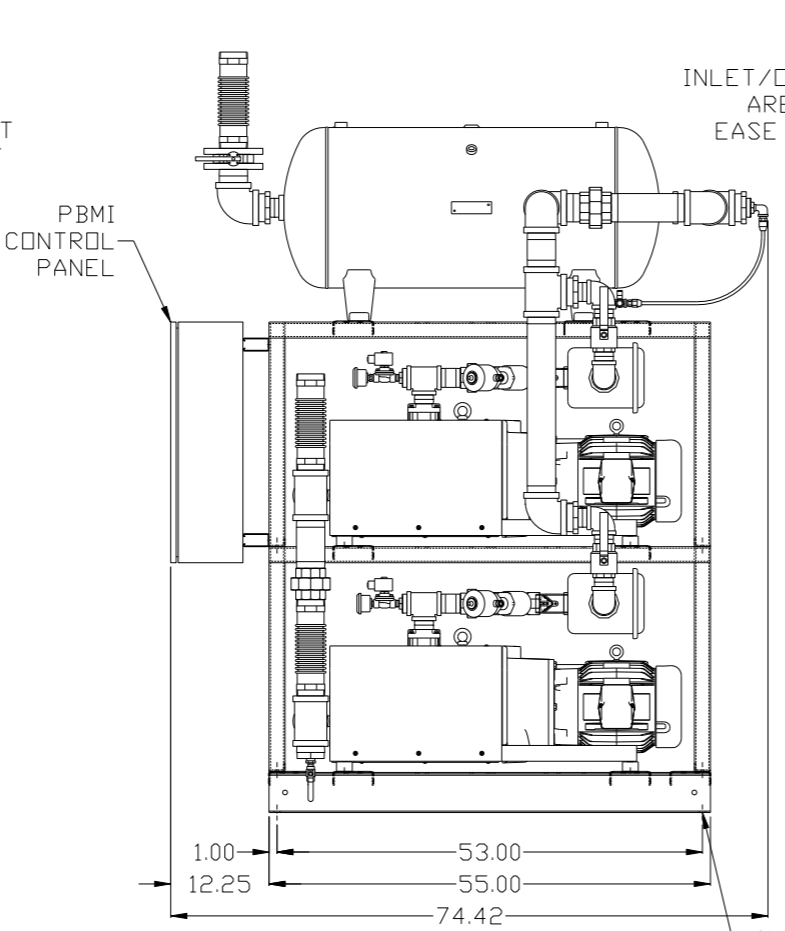
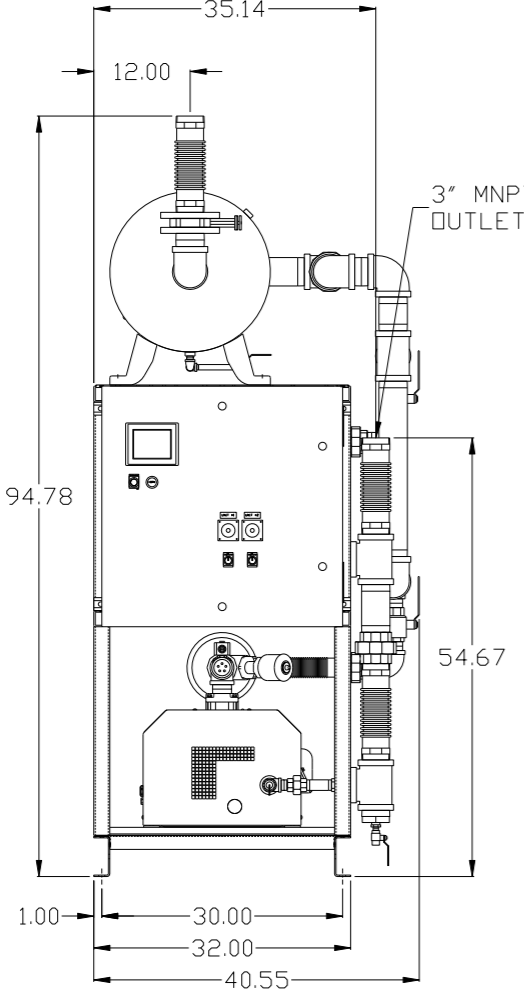
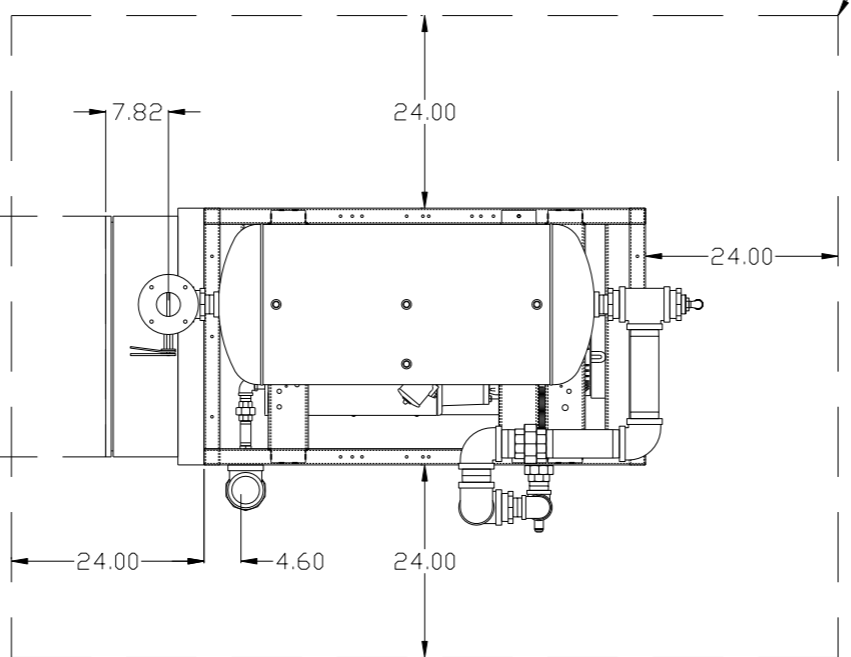
EXHAUST MANIFOLD SHIPPED LOOSE FOR FIELD INSTALLATION.

SYMBOL LEGEND			ADDITIONAL CONTROL REQ'D	Drawings to conform to the current revision of the following ANSI standards: Y14.3 Multi and sectional view dgs. Y14.5M Dimensioning and tolerancing
	MINUS DRAFT		BRINELL HARDNESS	
TOLERANCES NOT SPECIFIED		AUTOCAD REL2008 LT		DO NOT SCALE DRAWING FOR DIMENSIONS
.XX ±		INCH		Sheet 2 of 2
.XXX ±				SCALE 1:16
<Z<DEG> ±				
CONFIDENTIAL DISCLOSURE This drawing is the property of POWEREX, INC. OF THE SCOTT FETZER COMPANY and subject to return on demand. Its contents are confidential and must not be copied or submitted to outside parties for use or examination.				
DRAWN BY		CHECKED BY	APPROVED BY	
AEK		DMS	AEK RJR	
1/2/13		1/2/13	1/2/13 1/2/13	
MATERIAL		N/A		
PART NAME		DUPLX CLAW VAC PACKAGE		
FLOW SCHEMATIC		DWG NO LCPDT0702		
SIZE		D		

REV	ZONE	REVISION	DATE	ECN	NAME	CHKD
B-1	ALL	RELEASE TO PRODUCTION	1/2/13	PXEC0003	AEK	DMS
C-1	1 AL	UPDATED TO PUMP WITH NEMA RATED MOTOR	8/26/16	PXEC0149	AEK	GES

MINIMUM RECOMMENDED ELECTRICAL PANEL CLEARANCE PER OSHA/NEC REQUIREMENTS

MINIMUM RECOMMENDED MAINTENANCE CLEARANCE



INLET/OUTLET MANIFOLDS ARE REMOVABLE FOR EASE OF INSTALLATION

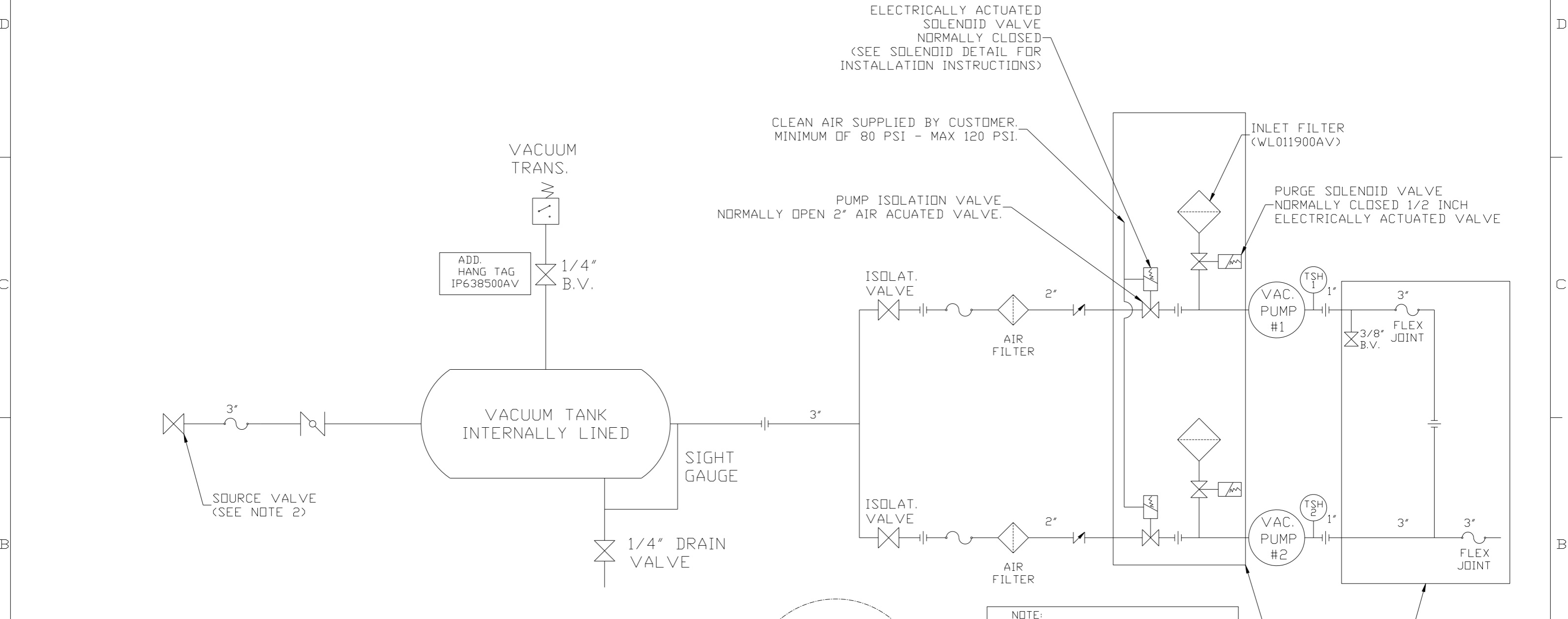
60GAL ASME RECEIVER INTERNALLY LINED

NOTE: EXHAUST MANIFOLD SHIPPED LOOSE FOR FIELD INSTALLATION.

NOTE: AUTO PURGE IS OPTIONAL.

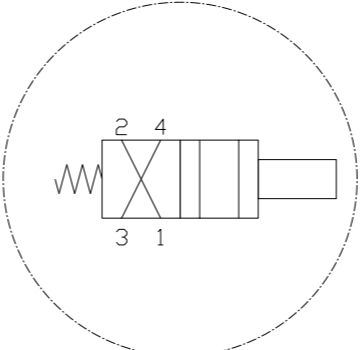
SYMBOL LEGEND		AUTOCAD REL2008 LT		DO NOT SCALE DRAWING FOR DIMENSIONS	
⊖	MINUS DRAFT	⊕	PLUS DRAFT	SCALE 1:16	
⊕	ADDITIONAL CONTROL REQ'D	TOLERANCES NOT SPECIFIED		Sheet 1 of 2	
⊕	BRINELL HARDNESS	.XX ±		1:16	
		.XXX ±			
		<<DEG> ±			
CONFIDENTIAL DISCLOSURE		DRAWN BY		CHECKED BY	
This drawing is the property of POWEREX, INC. of the SCOTT FETZER COMPANY and subject to return on demand. Its contents are confidential and must not be copied or submitted to outside parties for use or examination.		AEK		DMS	
		1/2/13		1/2/13	
		1/2/13		1/2/13	
MATERIAL		N/A		APPROVED BY	
PART NAME		7HP LAB CLAW VAC		JBC	
		60GAL DUPLEX		CT	
DWG NO		LCPDT0702		SIZE	
				D	

REV	ZONE	REVISION	DATE	ECN	NAME	CHKD
B-1	ALL	RELEASE TO PRODUCTION	1/2/13	PXEC0003	AEK	DMS
C-1	ALL	UPDATED TO PUMP WITH NEMA RATED MOTOR	8/26/16	PXEC0149	AEK	GES



LEGEND

	TEMP. SWITCH		VACUUM SWITCH
	AIR FILTER		CHECK VALVE
	BALL VALVE		FLEX LINE
			UNION



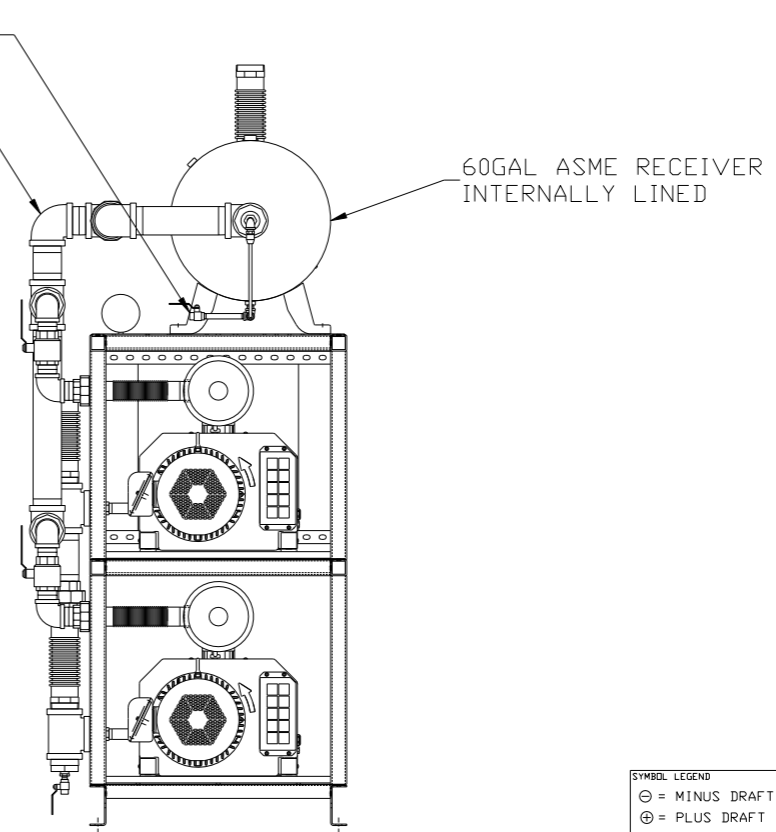
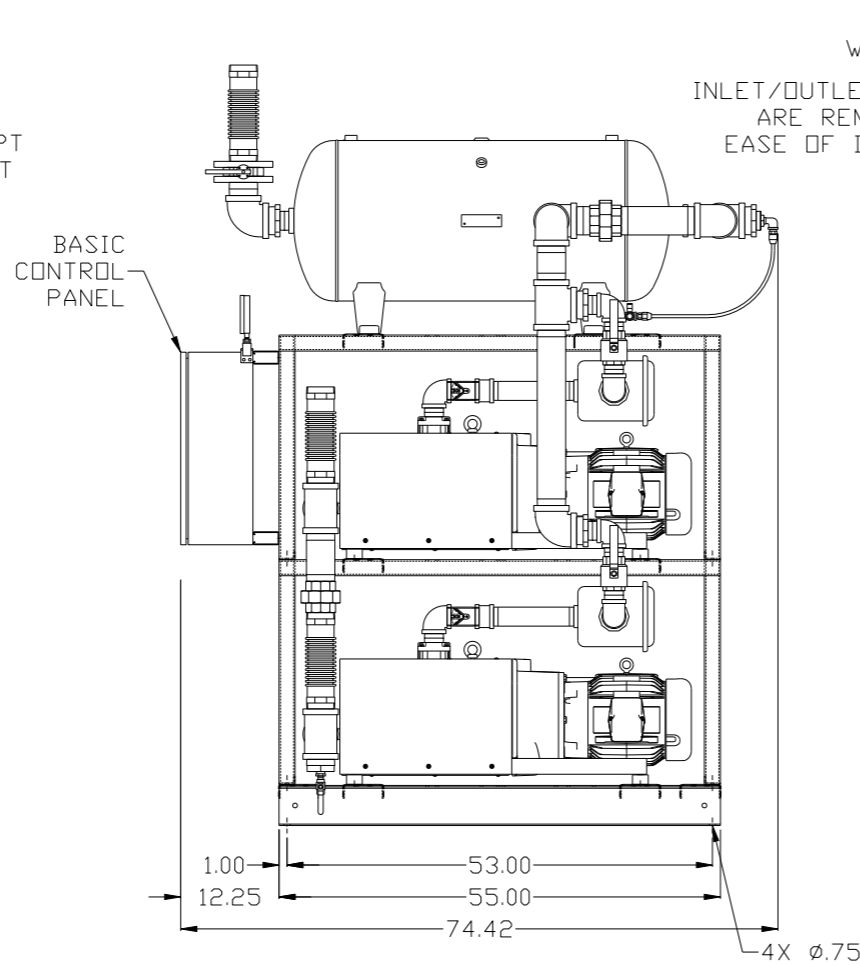
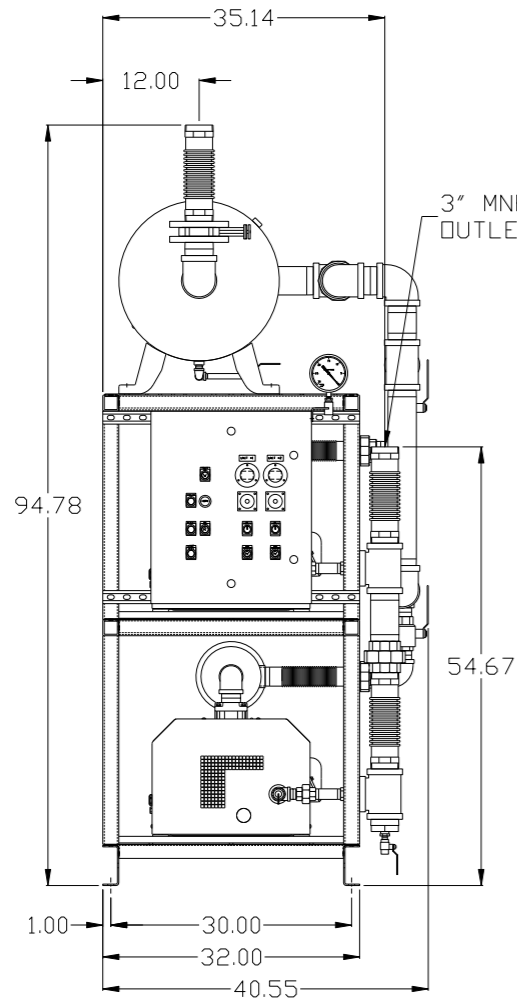
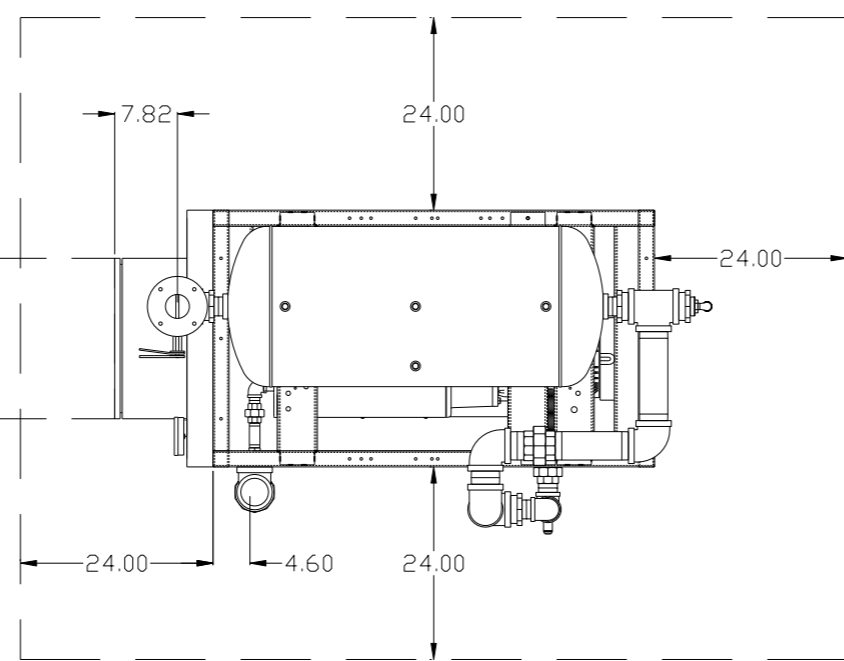
NOTE:
 1) TSH - TEMPERATURE SWITCH HIGH
 2) PER NFPA THE SYSTEM WILL REQUIRE A SOURCE VALVE (SUPPLIED BY OTHERS).

SYMBOL LEGEND		TOLERANCES NOT SPECIFIED		DO NOT SCALE DRAWING FOR DIMENSIONS	
⊖	MINUS DRAFT	±	±	Sheet 2 of 2	
⊕	PLUS DRAFT	±	±	SCALE 1:16	
⊖	ADDITIONAL CONTROL REQ'D	±	±	AUTOCAD REL2008 LT	
⊖	BRINELL HARDNESS	±	±	DRAWN BY AEK	
CONFIDENTIAL DISCLOSURE		±	±	CHECKED BY DMS	
This drawing is the property of POWEREX, INC. of the SCOTT FELTZER COMPANY and subject to return on demand. Its contents are confidential and must not be copied or submitted to outside parties for use or examination.		±	±	APPROVED BY ENGINEERING MFG/MRKTG	
MATERIAL N/A		±	±	1/2/13 1/2/13 1/2/13 1/2/13	
PART NAME DUPLEX CLAW VAC PACKAGE		POWEREX		SIZE D	
FLOW SCHEMATIC		150 PRODUCTION DRIVE, HARRISON, OHIO 45030 Ph: 888-769-7979 FAX: (513) 367-3125		DWG NO LCPDT0702	

REV	ZONE	REVISION	DATE	ECN	NAME	CHKD
B-1	ALL	RELEASE TO PRODUCTION	1/2/13	PXEC0003	AEK	DMS
C-1	ALL	UPDATED TO PUMP WITH NEMA RATED MOTOR	8/26/16	PXEC0149	AEK	GES

MINIMUM RECOMMENDED ELECTRICAL PANEL CLEARANCE PER OSHA/NEC REQUIREMENTS

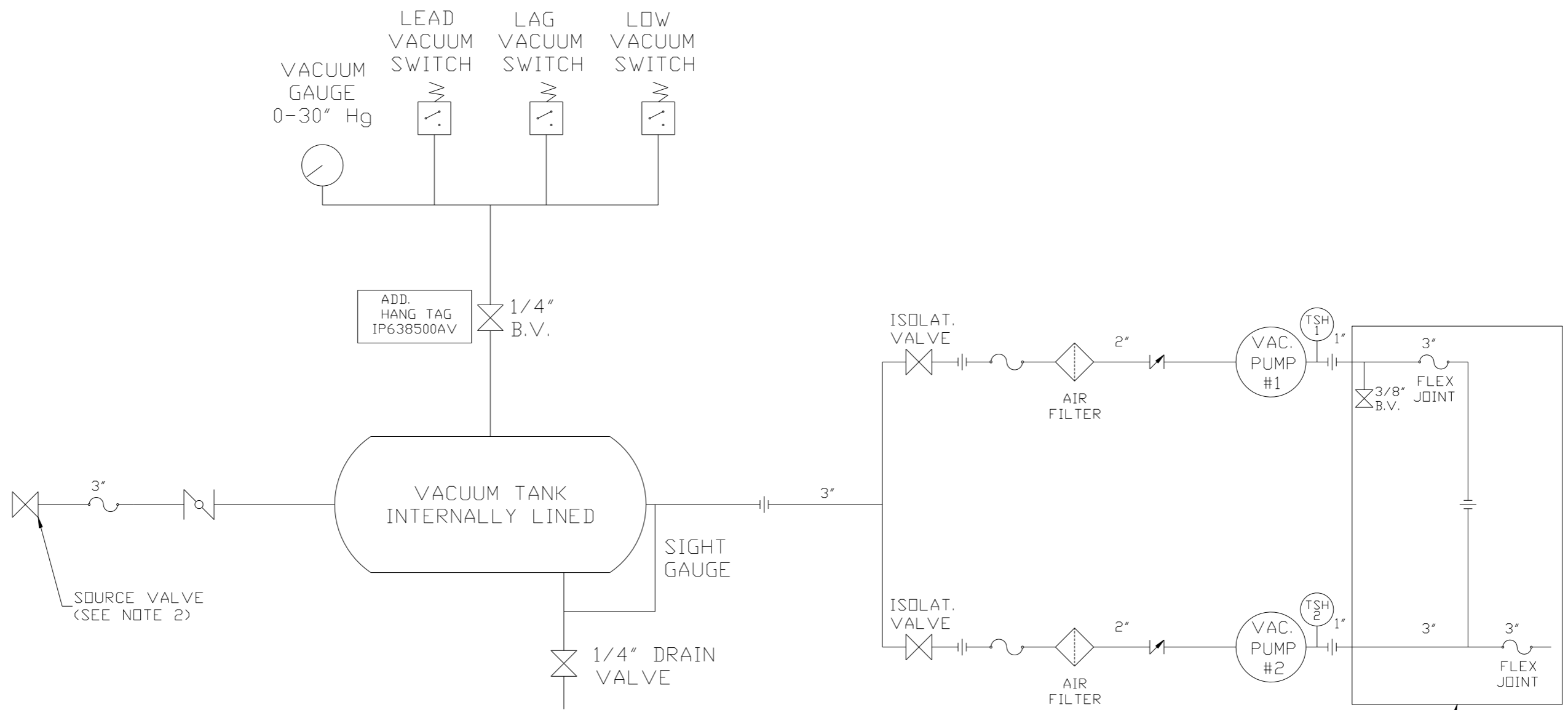
MINIMUM RECOMMENDED MAINTENANCE CLEARANCE



NOTE: EXHAUST MANIFOLD SHIPPED LOOSE FOR FIELD INSTALLATION.

SYMBOL LEGEND		= ADDITIONAL CONTROL REQ'D		Drawings to conform to the current revision of the following ANSI standards:	
⊖	MINUS DRAFT	⊕	PLUS DRAFT	⊖	BRINELL HARDNESS
TOLERANCES NOT SPECIFIED		AUTOCAD REL2008 LT		DO NOT SCALE DRAWING FOR DIMENSIONS	
.XX	±	INCH		Sheet 1 of 2	
.XXX	±			SCALE 1:16	
<<DEG>	±				
CONFIDENTIAL DISCLOSURE: This drawing is the property of POWEREX, INC. of the SCOTT FEITZER COMPANY and subject to return on demand. Its contents are confidential and must not be copied or submitted to outside parties for use or examination.					
DRAWN BY		CHECKED BY		APPROVED BY	
AEK		DMS		JBC CT	
1/2/13		1/2/13		1/2/13 1/2/13	
MATERIAL		N/A		 150 PRODUCTION DRIVE, HARRISON, OHIO 45030 Ph: 888-769-7979 FAX: (513) 367-3125	
PART NAME		7HP LAB CLAW VAC		SIZE	
60GAL DUPLEX		LCPDT0702		D	

REV	ZONE	REVISION	DATE	ECN	NAME	CHKD
B-1	ALL	RELEASE TO PRODUCTION	1/2/13	PXEC0003	AEK	DMS
C-1	ALL	UPDATED TO PUMP WITH NEMA RATED MOTOR	8/26/16	PXEC0149	AEK	GES



NOTE:
A 1/4 INCH VENT PLUG IS
LOCATED IN THE FILTER HOUSING.

EXHAUST MANIFOLD SHIPPED LOOSE
FOR FIELD INSTALLATION.

LEGEND

	TEMP. SWITCH		VACUUM SWITCH
	AIR FILTER		CHECK VALVE
	BALL VALVE		FLEX LINE
			UNION

NOTE:
1) TSH - TEMPERATURE SWITCH HIGH
2) PER NFPA THE SYSTEM WILL REQUIRE A SOURCE VALVE (SUPPLIED BY OTHERS).

SYMBOL LEGEND			ADDITIONAL CONTROL REQ'D	Drawings to conform to the current revision of the following ANSI standards	
	MINUS DRAFT		BRINELL HARDNESS	Y14.3 Multi and sectional view dsgs. Y14.5M Dimensioning and tolerancing	
TOLERANCES NOT SPECIFIED		AUTOCAD REL2008 LT		DO NOT SCALE DRAWING FOR DIMENSIONS	
.XX ±		INCH		Sheet 2 of 2	SCALE 1:16
CONFIDENTIAL DISCLOSURE This drawing is the property of POWEREX, INC. of the SCOTT FETZER COMPANY and subject to return on demand. Its contents are confidential and must not be copied or submitted to outside parties for use or examination.					
DRAWN BY	CHECKED BY	APPROVED BY		MFG/MRKTG	
AEK	DMS	AEK		RJR	
1/2/13	1/2/13	1/2/13		1/2/13	
MATERIAL		N/A			
PART NAME		DUPLX CLAW VAC PACKAGE		150 PRODUCTION DRIVE, HARRISON, OHIO 45030 Ph: 888-769-7979 FAX: (513) 367-3125	
DWG NO		LCPDT0702		SIZE D	
FLOW SCHEMATIC				LVPDT0702B.dwg	