

8

7

6

5

4

3

2

1

REV	ZONE	REVISION	DATE	ECN	NAME	CHKD
B-1	ALL	RELEASE TO PRODUCTION	1/25/13	PXEC003	AEK	DMS
C-1	1 ALL	UPDATED TO PUMP WITH NEMA RATED MOTOR	10/9/17	PXEC0149	AEK	GES

MINIMUM RECOMMENDED
ELECTRICAL PANEL
CLEARANCE PER OSHA/NEC
REQUIREMENTS

MINIMUM RECOMMENDED
MAINTENANCE CLEARANCE

PBMI
CONTROL
PANEL

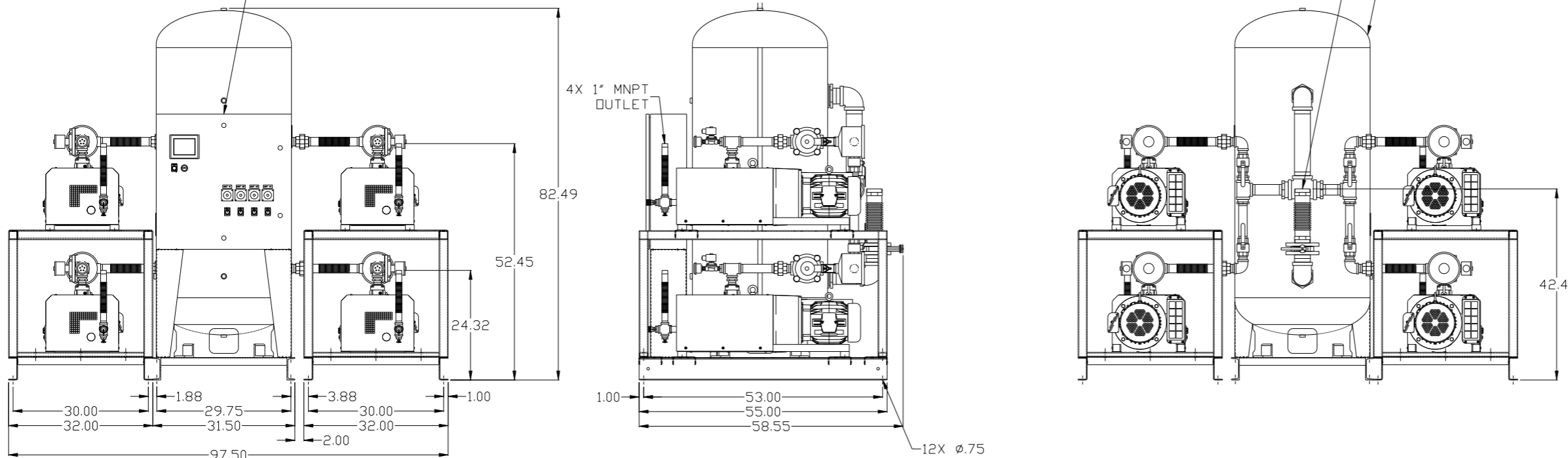
4X 1" MNPT
OUTLET

3" MNPT
AIR INLET

200GAL ASME
RECEIVER

NOTE: AUTO PURGE IS OPTIONAL.

SYMBOL LEGEND ⊖ = MINUS DRAFT ⊕ = PLUS DRAFT ⊕ = ADDITIONAL CONTROL REQ'D ⊕ = BRINELL HARDNESS		Drawings to conform to the current revision of the following ANSI standards: Y14.3 Multi and sectional view dsgs. Y14.5M Dimensioning and tolerancing	
TOLERANCES NOT SPECIFIED .XX ± .XXX ± <Z(DEG) ±		DO NOT SCALE DRAWING FOR DIMENSIONS AUTOCAD REL2008 LT INCH Sheet 1 of 2 SCALE 1:14	
CONFIDENTIAL DISCLOSURE This drawing is the property of POWEREX, INC. of the SCOTT FEITZER COMPANY and subject to return on demand. Its contents are confidential and must not be copied or submitted to outside parties for use or examination.			
DRAWN BY AEK		CHECKED BY DMS	
APPROVED BY AEK		MFG/MRKTG CT	
DATE 1/25/13		DATE 1/25/13	
MATERIAL N/A		POWEREX 150 PRODUCTION DRIVE, HARRISON, OHIO 45030 Ph 888-769-7979 FAX (513) 367-3125	
PART NAME 5HP LAB VACUUM 200GAL QUADPLEX		DVG NO LCPQ0505 SIZE D	



8

7

6

5

4

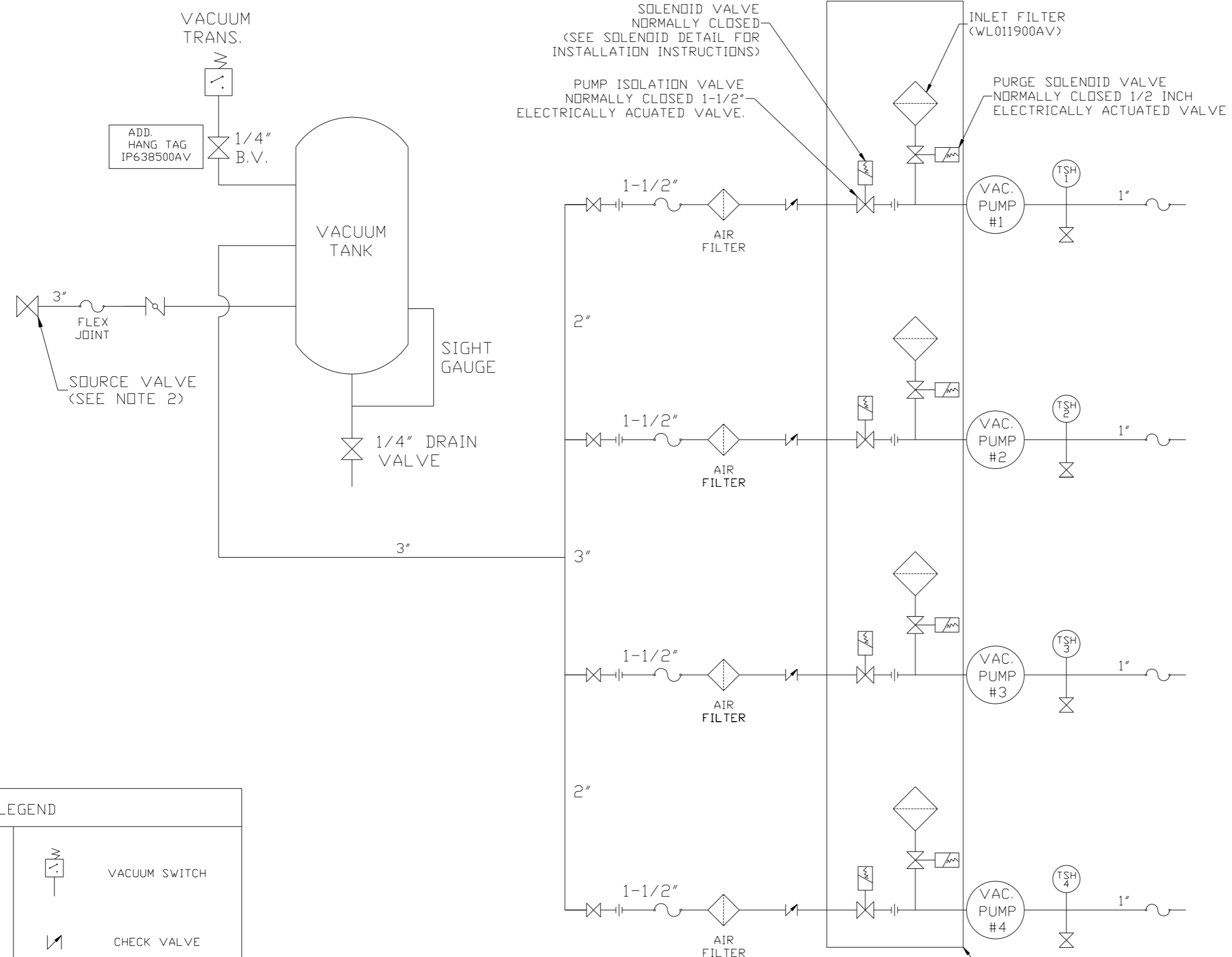
3

2

1

LCPQ0505B.dwg

REV	ZONE	REVISION	DATE	ECN	NAME	CHKD
B-1	ALL	RELEASE TO PRODUCTION	1/25/13	PKEC003	AEK	DMS
C-1	ALL	UPDATED TO PUMP WITH NEMA RATED MOTOR	10/9/17	PKEC049	AEK	GES



ELECTRICALLY ACTUATED SOLENOID VALVE NORMALLY CLOSED (SEE SOLENOID DETAIL FOR INSTALLATION INSTRUCTIONS)

PUMP ISOLATION VALVE NORMALLY CLOSED 1-1/2" ELECTRICALLY ACUATED VALVE.

INLET FILTER (WL011900AV)

PURGE SOLENOID VALVE NORMALLY CLOSED 1/2 INCH ELECTRICALLY ACTUATED VALVE

ADD. HANG TAG IP638500AV

3" FLEX JOINT

SOURCE VALVE (SEE NOTE 2)

VACUUM TRANS.

1/4" B.V.

VACUUM TANK

SIGHT GAUGE

1/4" DRAIN VALVE

3"

1-1/2"

2"

3"

1-1/2"

2"

3"

1-1/2"

2"

1-1/2"

2"

1-1/2"

2"

AIR FILTER

AIR FILTER

AIR FILTER

AIR FILTER

VAC. PUMP #1

VAC. PUMP #2

VAC. PUMP #3

VAC. PUMP #4

TSH 1

TSH 2

TSH 3

TSH 4

1"

1"

1"

1"

LEGEND

	TEMP. SWITCH		VACUUM SWITCH
	AIR FILTER		CHECK VALVE
	BALL VALVE		FLEX LINE
	BUTTERFLY VALVE		UNION

NOTE:
 1) TSH - TEMPERATURE SWITCH HIGH
 2) PER NFPA THE SYSTEM WILL REQUIRE A SOURCE VALVE (SUPPLIED BY OTHERS).

NOTE:
 A 1/4 INCH VENT PLUG IS LOCATED IN THE FILTER HOUSING.

AUTO PURGE IS OPTIONAL

SYMBOL LEGEND		= ADDITIONAL CONTROL REQ'D		Drawings to conform to the current revision of the following ANSI standards: Y14.3 Multi- and sectional view dgs. Y14.5M Dimensioning and tolerancing	
⊖ = MINUS DRAFT	⊕ = PLUS DRAFT	⊖ = BRINELL HARDNESS	DO NOT SCALE DRAWING FOR DIMENSIONS		
TOLERANCES NOT SPECIFIED		AUTOCAD REL2008 LT	Sheet 2 of 2		SCALE 1: 14
CONFIDENTIAL DISCLOSURE This drawing is the property of POWEREX, INC. of the SCOTT FITZGER COMPANY and subject to return on demand. Its contents are confidential and must not be copied or submitted to outside parties for use or examination.		DRAWN BY AEK	CHECKED BY DMS	APPROVED BY AEK	MFG/MRKTG CT
MATERIAL N/A		1/25/13	1/25/13	1/25/13	1/25/13
PART NAME QUADPLEX CLAW LAB VACUUM FLOW SCHEMATIC				SIZE D	
		DWG NO LCPQ0505		LCPQ0505B 9/9	

8

7

6

5

4

3

2

1

REV	ZONE	REVISION	DATE	ECN	NAME	CHKD
B-1	ALL	RELEASE TO PRODUCTION	1/25/13	PXEC003	AEK	DMS
C-1	ALL	UPDATED TO PUMP WITH NEMA RATED MOTOR	10/9/17	PXEC0149	AEK	GES

MINIMUM RECOMMENDED
ELECTRICAL PANEL
CLEARANCE PER OSHA/NEC
REQUIREMENTS

MINIMUM RECOMMENDED
MAINTENANCE CLEARANCE

PBMI
CONTROL
PANEL

4X 1" MNPT
OUTLET

3" MNPT
AIR INLET


200GAL ASME
RECEIVER

NOTE: AUTO PURGE IS OPTIONAL.

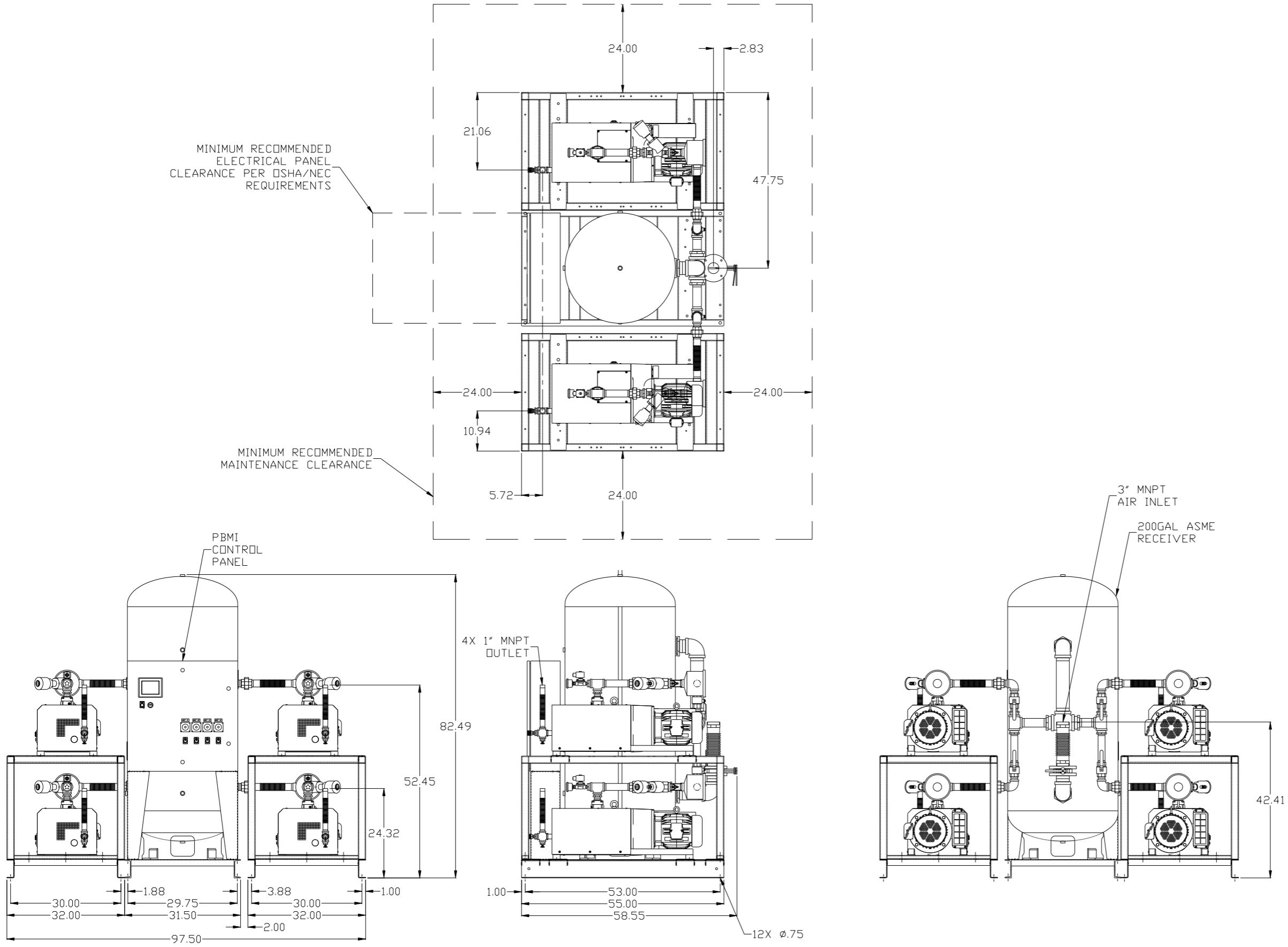
SYMBOL LEGEND ⊖ = MINUS DRAFT ⊕ = PLUS DRAFT TOLERANCES NOT SPECIFIED .XX ± .XXX ± <Z DEG > ±	⊕ = ADDITIONAL CONTROL REQ'D HRC = BRINELL HARDNESS AUTOCAD REL2008 LT INCH	Drawings to conform to the current revision of the following ANSI standards: Y14.3 Multi and sectional view dsgs. Y14.5M Dimensioning and tolerancing
---	---	---

DO NOT SCALE DRAWING FOR DIMENSIONS		SCALE	
Sheet 1 of 2	1:14		

CONFIDENTIAL DISCLOSURE This drawing is the property of POWEREX, INC. of the SCOTT FEITZER COMPANY and subject to return on demand. Its contents are confidential and must not be copied or submitted to outside parties for use or examination.			
DRAWN BY	CHECKED BY	APPROVED BY	DATE
AEK	DMS	AEK	CT
1/25/13	1/25/13	1/25/13	1/25/13

MATERIAL	N/A	 150 PRODUCTION DRIVE, HARRISON, OHIO 45030 Ph 888-769-7979 FAX (513) 367-3125
PART NAME	5HP LAB VACUUM	
	200GAL QUADPLEX	
DWG NO	LCPQ0505	SIZE
		D

LCPQ0505B.dwg



8

7

6

5

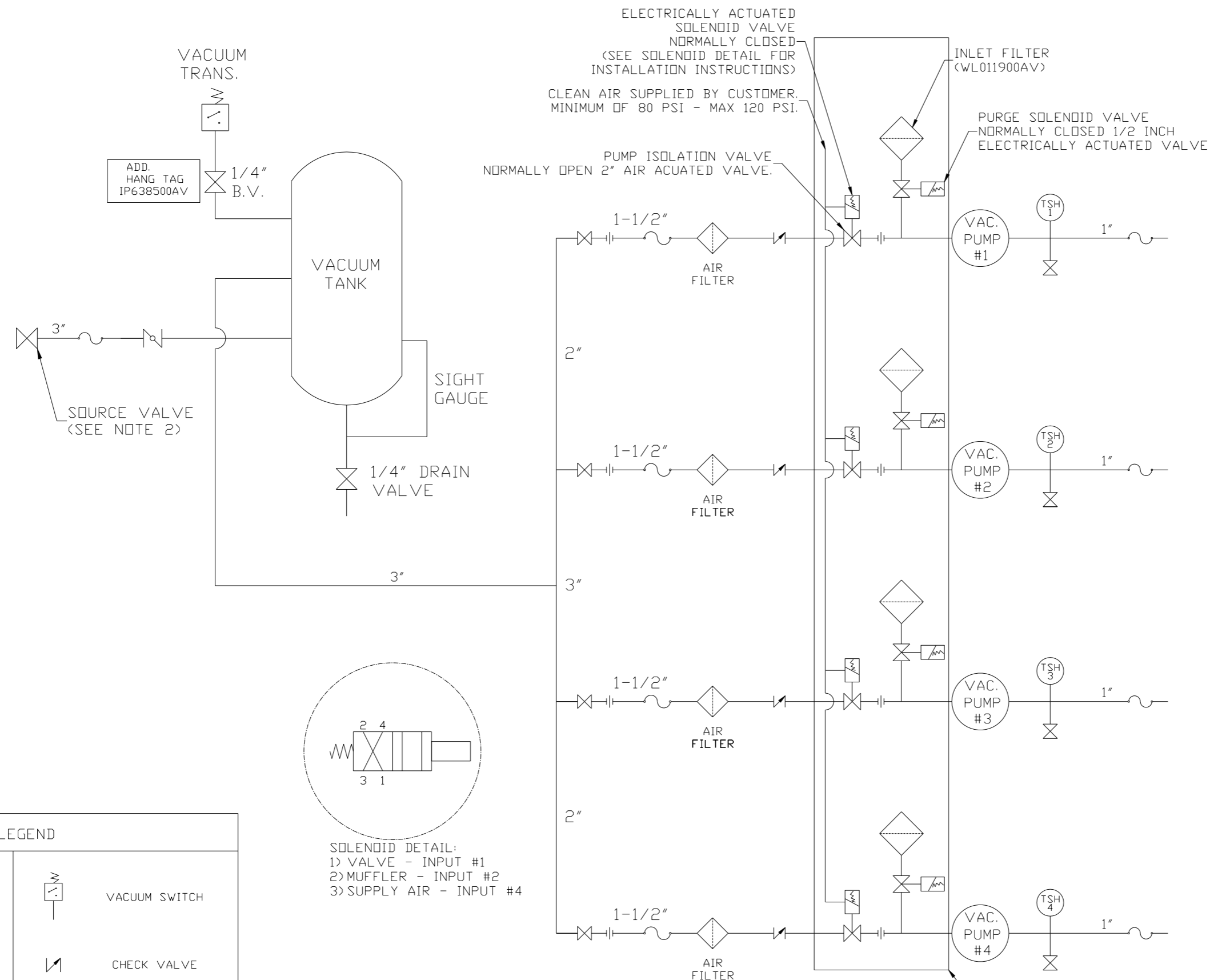
4

3

2

1

REV	ZONE	REVISION	DATE	ECN	NAME	CHKD
B-1	ALL	RELEASE TO PRODUCTION	1/25/13	PXEC003	AEK	DMS
C-1	1 ALL	UPDATED TO PUMP WITH NEMA RATED MOTOR	10/9/17	PXEC0149	AEK	GES



LEGEND

	TEMP. SWITCH		VACUUM SWITCH
	AIR FILTER		CHECK VALVE
	BALL VALVE		FLEX LINE
	BUTTERFLY VALVE		UNION

SYMBOL LEGEND		AUTOCAD REL2008 LT		DO NOT SCALE DRAWING FOR DIMENSIONS	
	MINUS DRAFT		ADDITIONAL CONTROL REQ'D	Drawings to conform to the current revision of the following ANSI standards:	
	PLUS DRAFT		BRINELL HARDNESS	Y14.3 Multi and sectional view dgs. Y14.5M Dimensioning and tolerancing	
.XX ±		INCH		Sheet 2 of 2	SCALE 1:14
.XXX ±					
<DEG> ±					
CONFIDENTIAL DISCLOSURE This drawing is the property of POWEREX, INC. of the SCOTT FETZER COMPANY and subject to return on demand. Its contents are confidential and must not be copied or submitted to outside parties for use or examination.		DRAWN BY	CHECKED BY	APPROVED BY	MFG/MKTG
		AEK	DMS	AEK	CT
		1/25/13	1/25/13	1/25/13	1/25/13
MATERIAL N/A				150 PRODUCTION DRIVE, HARRISON, OHIO 45030 Ph: 888-769-7979 FAX: (513) 367-3125	
PART NAME QUADPLEX CLAW LAB VACUUM FLOW SCHEMATIC		DWG NO LCPQ0505		SIZE D	

8 7 6 5 4 3 2 1

REV	ZONE	REVISION	DATE	ECN	NAME	CHKD
B-1	ALL	RELEASE TO PRODUCTION	1/25/13	PXEC003	AEK	DMS
C-1	ALL	UPDATED TO PUMP WITH NEMA RATED MOTOR	10/9/17	PXEC0149	AEK	GES

MINIMUM RECOMMENDED ELECTRICAL PANEL CLEARANCE PER OSHA/NEC REQUIREMENTS

MINIMUM RECOMMENDED MAINTENANCE CLEARANCE

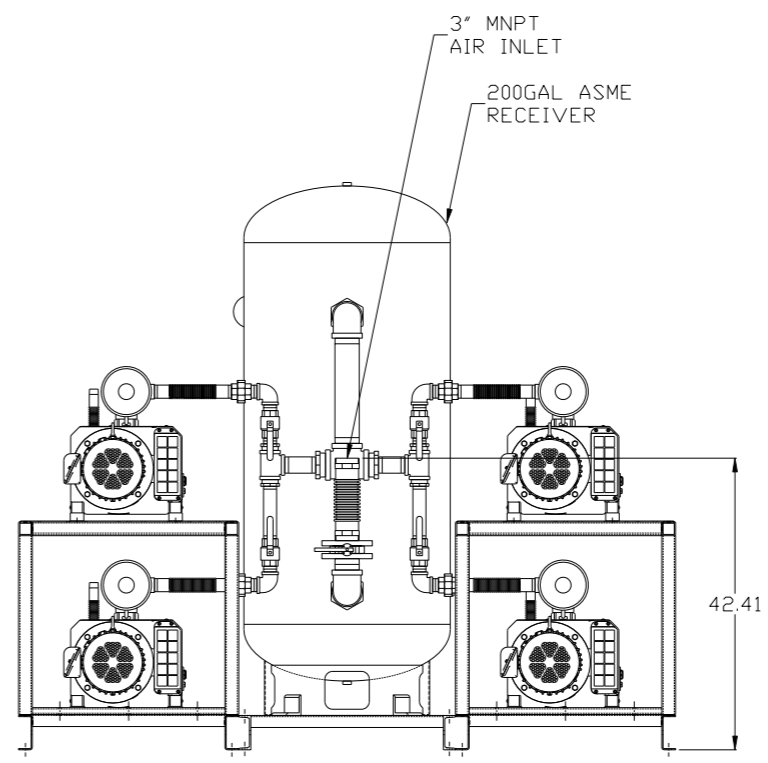
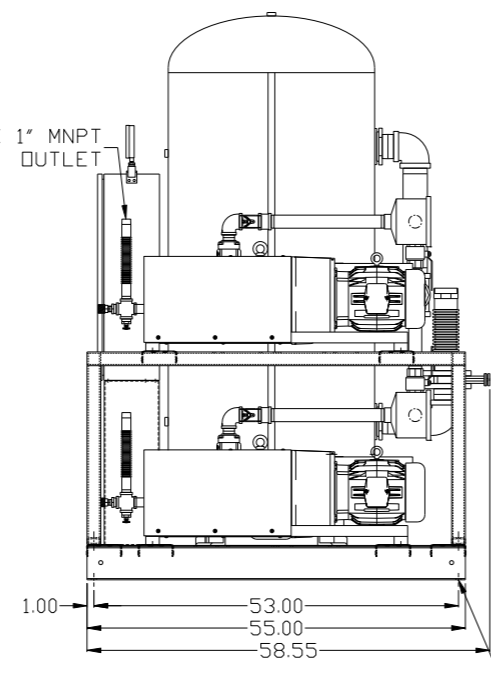
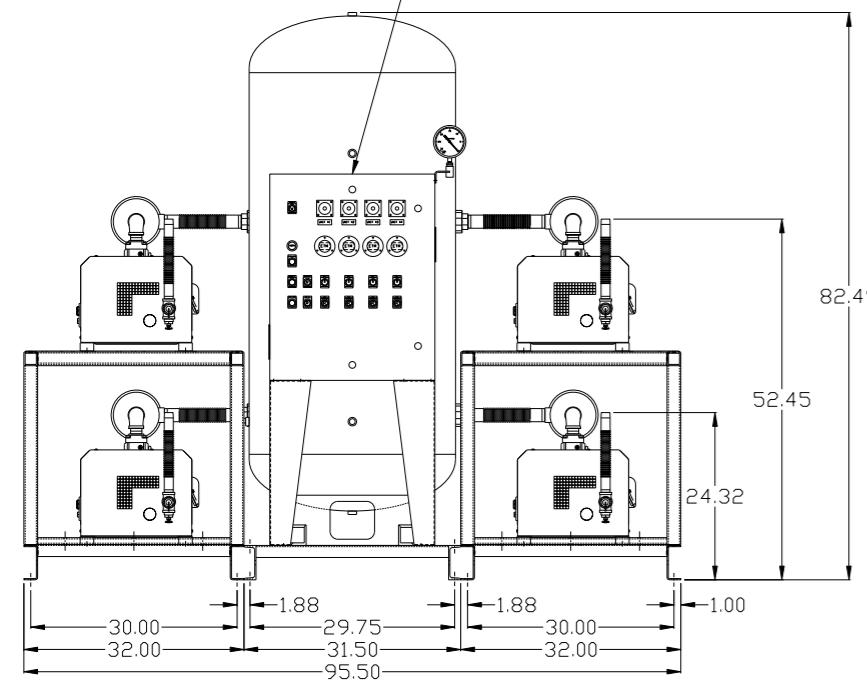
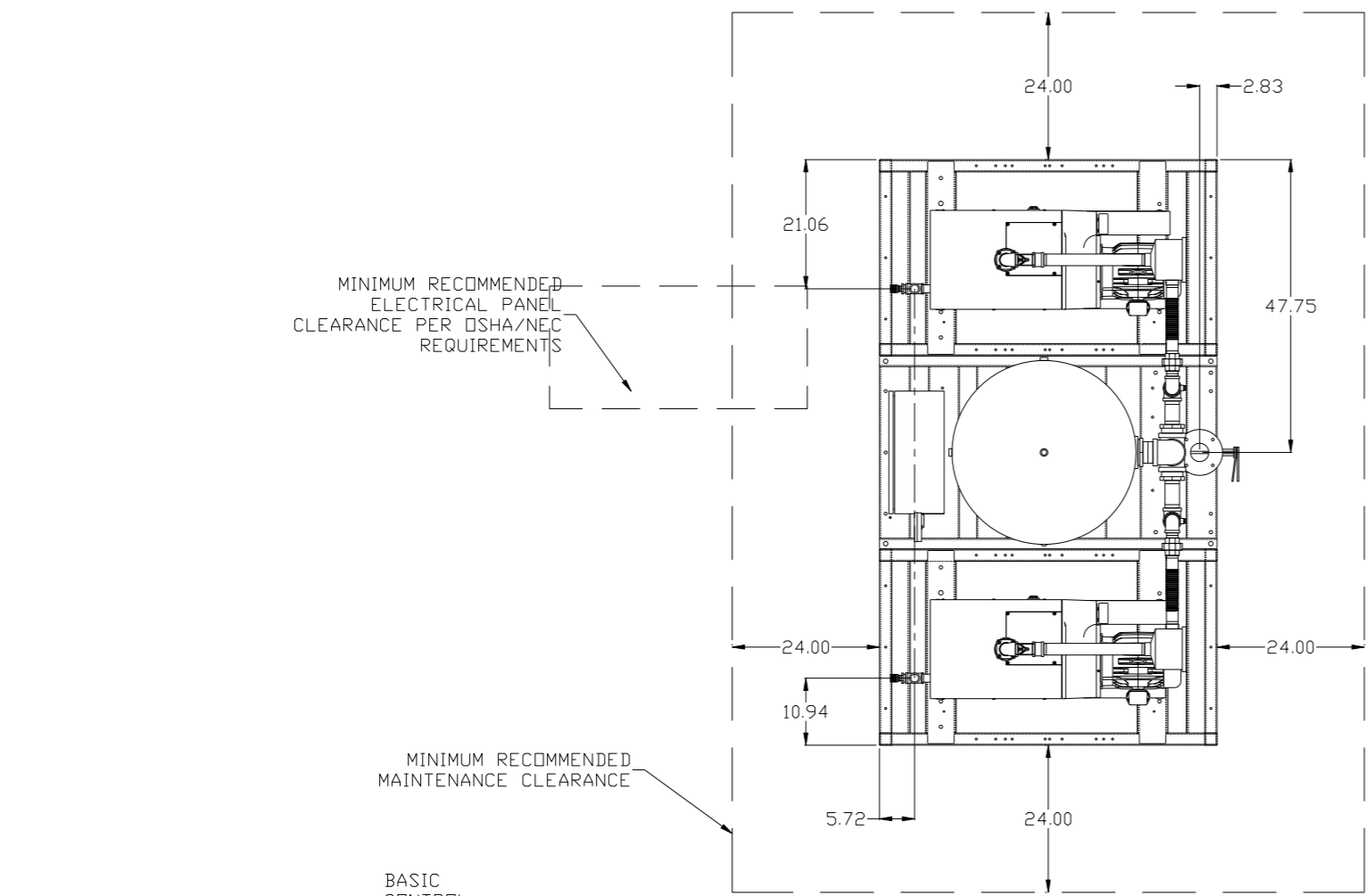
BASIC CONTROL PANEL

3" MNPT AIR INLET

200GAL ASME RECEIVER

4X 1" MNPT OUTLET

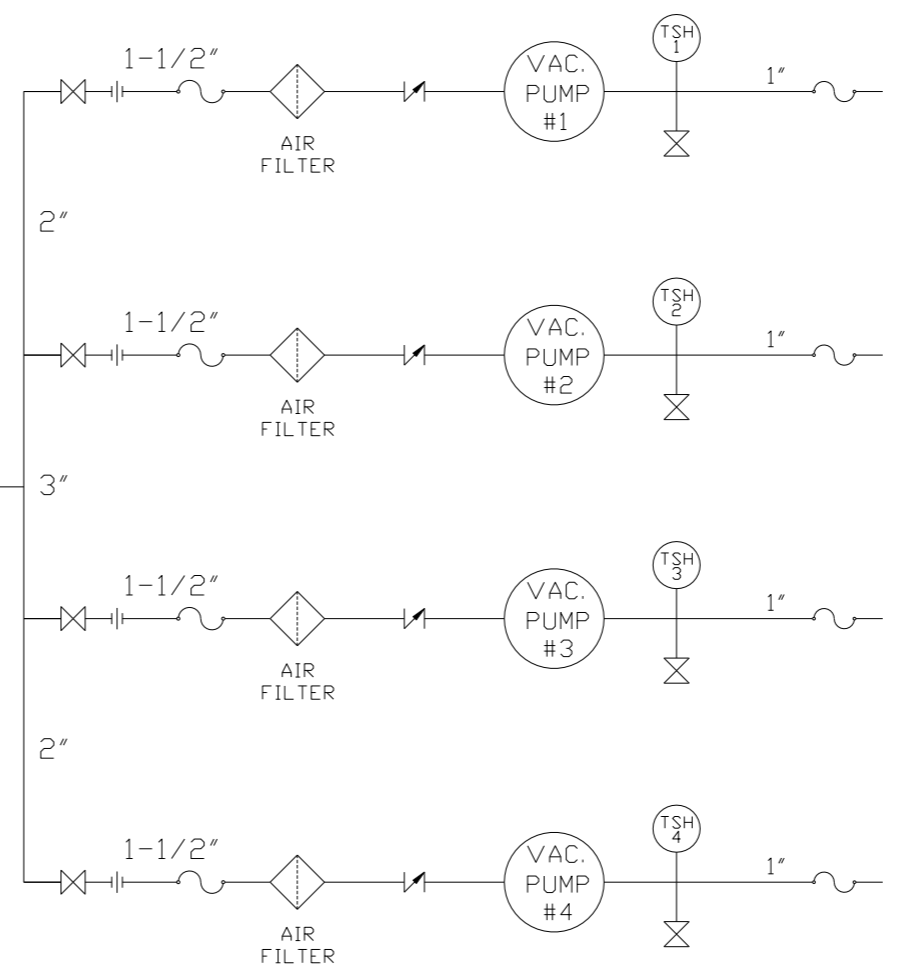
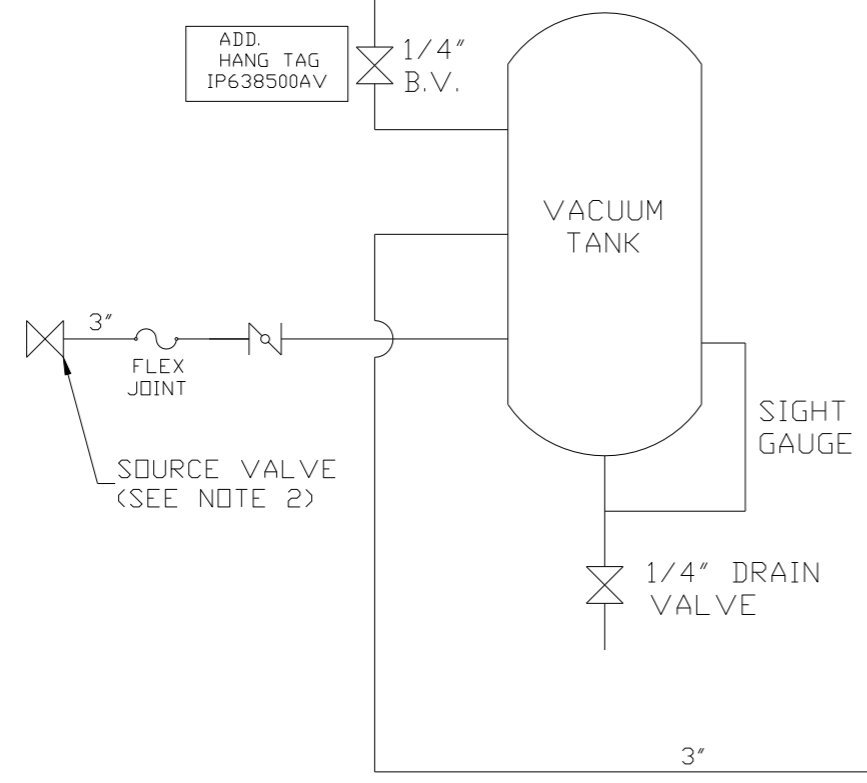
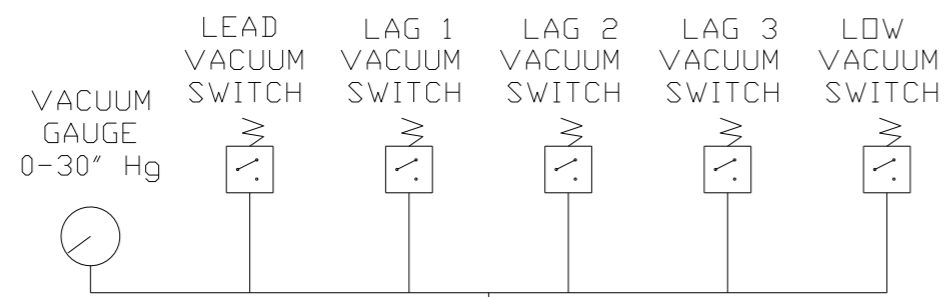
12X ϕ .75



SYMBOL LEGEND		AUTOCAD REL2008 LT		DO NOT SCALE DRAWING FOR DIMENSIONS	
\ominus	MINUS DRAFT	∇	ADDITIONAL CONTROL REQ'D	Drawings to conform to the current revision of the following ANSI standards:	
\oplus	PLUS DRAFT	HRC	BRINELL HARDNESS	Y14.3 Multi and sectional view dsgs. Y14.5M Dimensioning and tolerancing	
.XX ±		INCH		Sheet 1 of 2	SCALE 1:14
.XXX ±					
< < DEG > ±					
CONFIDENTIAL DISCLOSURE This drawing is the property of POWEREX, INC. of the SCOTT FEITZER COMPANY and subject to return on demand. Its contents are confidential and must not be copied or submitted to outside parties for use or examination.					
DRAWN BY		CHECKED BY	APPROVED BY	ENGINEERING MFG/MRKTG	
AEK		DMS	AEK	CT	
1/25/13		1/25/13	1/25/13	1/25/13	
MATERIAL		N/A		PART NAME	
				5HP LAB VACUUM	
				200GAL QUADPLEX	
DWG NO		LCPQ0505		SIZE	
				D	

8 7 6 5 4 3 2 1

REV	ZONE	REVISION	DATE	ECN	NAME	CHKD
B-1	ALL	RELEASE TO PRODUCTION	1/25/13	PXEC003	AEK	DMS
C-1	ALL	UPDATED TO PUMP WITH NEMA RATED MOTOR	10/9/17	PXEC0149	AEK	GES



NOTE:
A 1/4 INCH VENT PLUG IS LOCATED IN THE FILTER HOUSING.

LEGEND

	TEMP. SWITCH		VACUUM SWITCH
	AIR FILTER		CHECK VALVE
	BALL VALVE		FLEX LINE
	BUTTERFLY VALVE		UNION

NOTE:
1) TSH - TEMPERATURE SWITCH HIGH
2) PER NFPA THE SYSTEM WILL REQUIRE A SOURCE VALVE (SUPPLIED BY OTHERS).

SYMBOL LEGEND			ADDITIONAL CONTROL REQ'D	Drawings to conform to the current revision of the following ANSI standards:	
	MINUS DRAFT		BRINELL HARDNESS	Y14.3 Multi and sectional view dgs. Y14.5M Dimensioning and tolerancing	
TOLERANCES NOT SPECIFIED		AUTOCAD REL2008 LT	DO NOT SCALE DRAWING FOR DIMENSIONS		
.XX ±	.XXX ±	INCH	Sheet 2 of 2	SCALE 1:14	
CONFIDENTIAL DISCLOSURE This drawing is the property of POWEREX, INC. of the SCOTT FETZER COMPANY and subject to return on demand. Its contents are confidential and must not be copied or submitted to outside parties for use or examination.					
DRAWN BY	CHECKED BY	APPROVED BY	MFG/MKTG		
AEK	DMS	AEK	CT		
1/25/13	1/25/13	1/25/13	1/25/13		
MATERIAL		N/A			
PART NAME		QUADPLEX CLAW LAB VACUUM			
FLOW SCHEMATIC		DWG NO		SIZE	
		LCPQ0505		D	