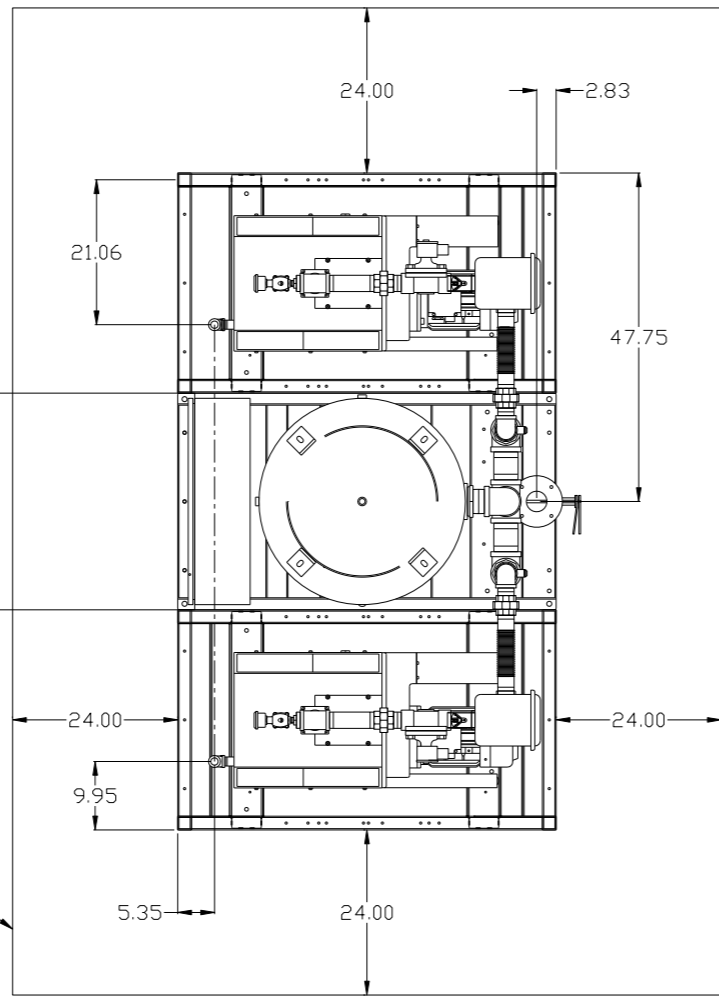


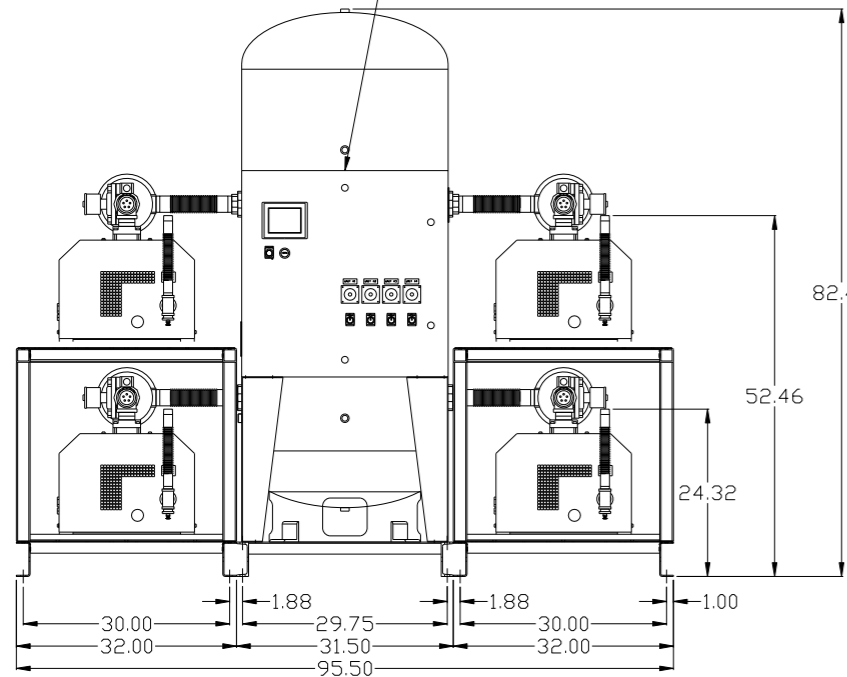
REV	ZONE	REVISION	DATE	ECN	NAME	CHKD
B-1	ALL	RELEASE TO PRODUCTION	1/23/12	PREC003	AEK	DMS

MINIMUM RECOMMENDED ELECTRICAL PANEL CLEARANCE PER OSHA/ NEC

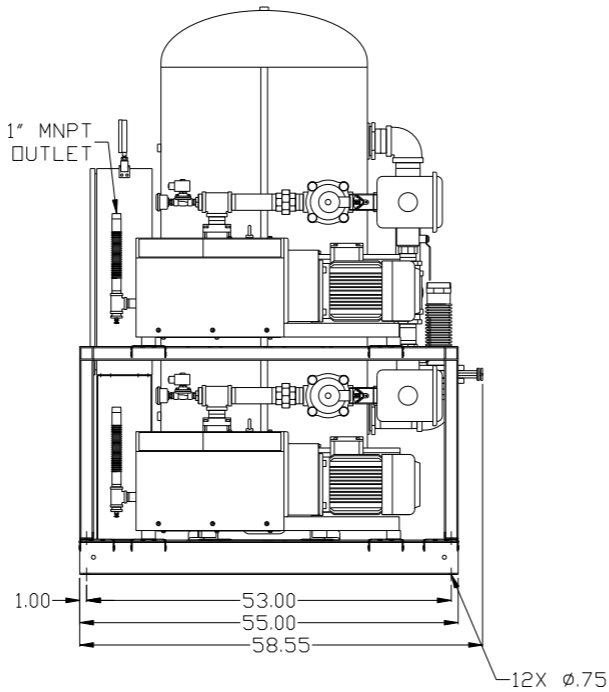
MINIMUM RECOMMENDED MAINTENANCE CLEARANCE



PBMI/HMI CONTROL PANEL

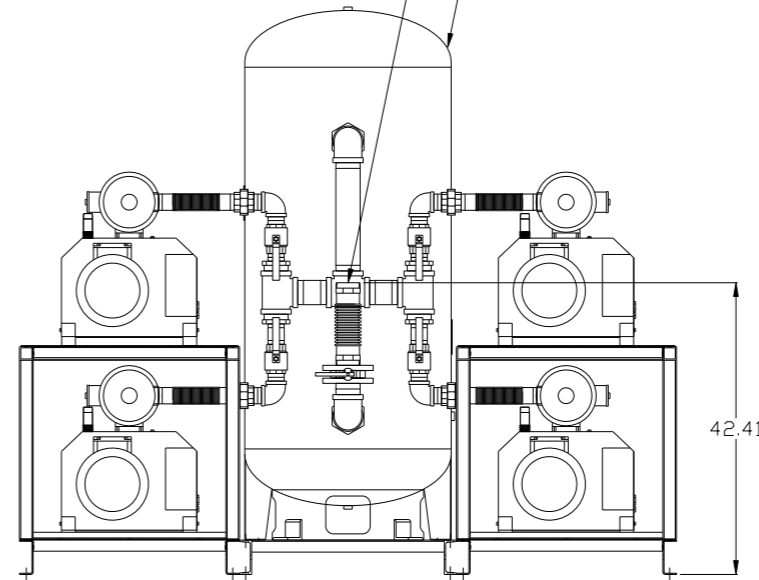


4X 1" MNPT OUTLET



3" MNPT AIR INLET

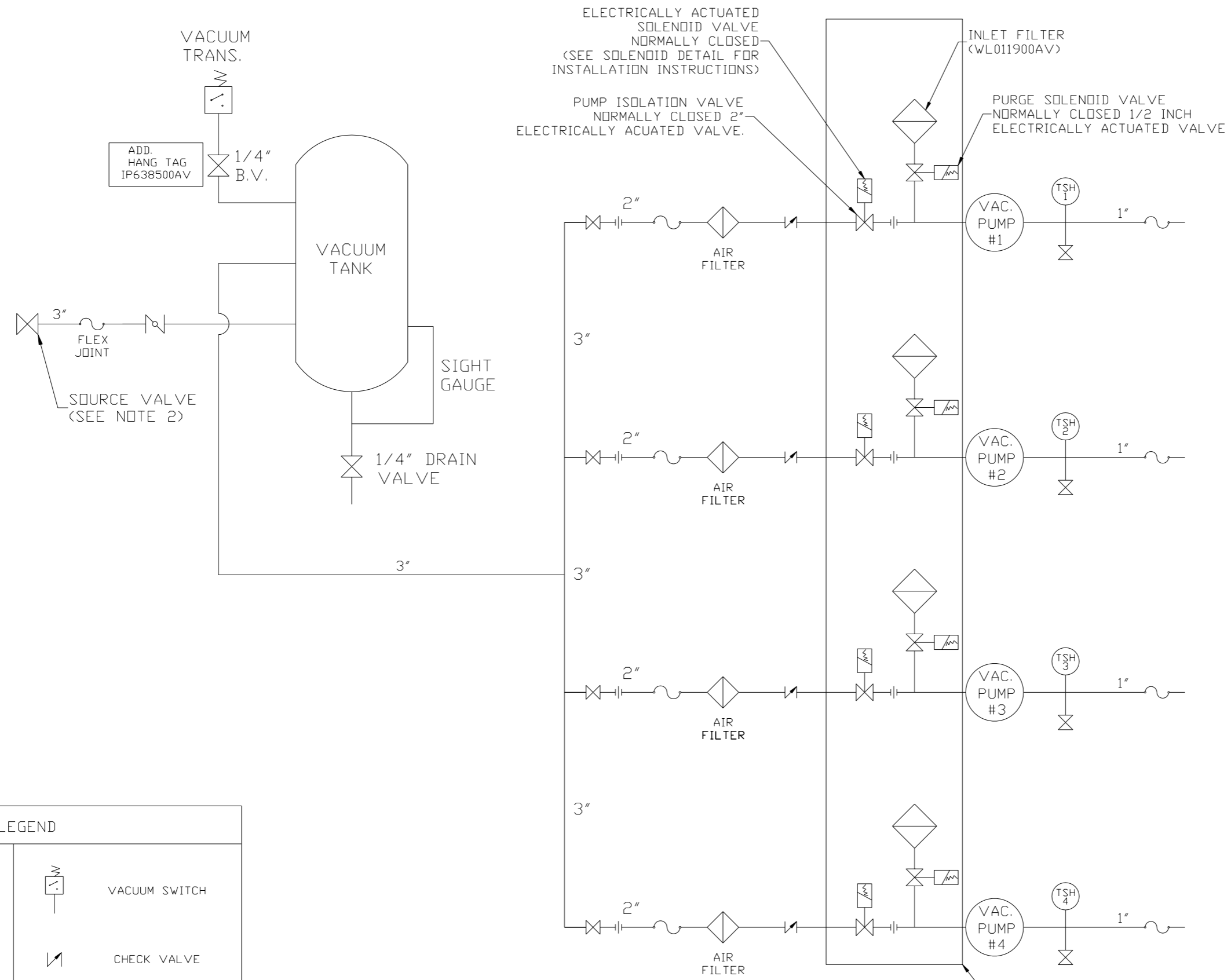
200GAL ASME RECEIVER



NOTE: AUTO PURGE IS OPTIONAL.

SYMBOL LEGEND ⊖ = MINUS DRAFT ⊕ = PLUS DRAFT ∅ = ADDITIONAL CONTROL REQ'D Ⓜ = BRINELL HARDNESS		Drawings to conform to the current revision of the following ANSI standards: Y14.3 Multi and sectional view dgs. Y14.5M Dimensioning and tolerancing	
TOLERANCES NOT SPECIFIED .XX ± .XXX ± \angle (DEG) ±		DO NOT SCALE DRAWING FOR DIMENSIONS AUTOCAD REL2008 LT INCH Sheet 1 of 2 SCALE 1:14	
CONFIDENTIAL DISCLOSURE This drawing is the property of POWEREX, INC. of the SCOTT FEITZER COMPANY and subject to return on demand. Its contents are confidential and must not be copied or submitted to outside parties for use or examination.		DRAWN BY: AEK CHECKED BY: DMS APPROVED BY: AEK MFG/MKTG: CT 1/23/12 1/23/12 1/23/12 1/23/12	
MATERIAL: N/A		PART NAME: 7HP LAB VACUUM 200G QUADPLEX DWG NO: LCPQ0705 SIZE: D	

REV	ZONE	REVISION	DATE	ECN	NAME	CHKD
B-1	ALL	RELEASE TO PRODUCTION	1/23/12	PHC0003	AEK	DMS



ELECTRICALLY ACTUATED SOLENOID VALVE NORMALLY CLOSED (SEE SOLENOID DETAIL FOR INSTALLATION INSTRUCTIONS)

PUMP ISOLATION VALVE NORMALLY CLOSED 2" ELECTRICALLY ACUATED VALVE.

INLET FILTER (WL011900AV)

PURGE SOLENOID VALVE NORMALLY CLOSED 1/2 INCH ELECTRICALLY ACTUATED VALVE

ADD. HANG TAG IP638500AV

3" FLEX JOINT

SOURCE VALVE (SEE NOTE 2)

VACUUM TRANS.

1/4" B.V.

VACUUM TANK

SIGHT GAUGE

1/4" DRAIN VALVE

3"

2" AIR FILTER

3" VAC. PUMP #1

1" TSH 1

2" AIR FILTER

3" VAC. PUMP #2

1" TSH 2

2" AIR FILTER

3" VAC. PUMP #3

1" TSH 3

2" AIR FILTER

3" VAC. PUMP #4

1" TSH 4

LEGEND

	TEMP. SWITCH		VACUUM SWITCH
	AIR FILTER		CHECK VALVE
	BALL VALVE		FLEX LINE
	BUTTERFLY VALVE		UNION

NOTE:
 1) TSH - TEMPERATURE SWITCH HIGH
 2) PER NFPA THE SYSTEM WILL REQUIRE A SOURCE VALVE (SUPPLIED BY OTHERS).

NOTE:
 A 1/4 INCH VENT PLUG IS LOCATED IN THE FILTER HOUSING.

AUTO PURGE IS OPTIONAL

SYMBOL LEGEND		= ADDITIONAL CONTROL REQ'D		Drawings to conform to the current revision of the following ANSI standards: Y14.3 Mult. and sectional view dgs. Y14.5M Dimensioning and tolerancing	
⊖	MINUS DRAFT	⊕	PLUS DRAFT	⊞	BRINELL HARDNESS
TOLERANCES NOT SPECIFIED		AUTOCAD REL2008 LT		DO NOT SCALE DRAWING FOR DIMENSIONS	
.XX ±		INCH		SCALE 1: 14	
CONFIDENTIAL DISCLOSURE This drawing is the property of POWEREX, INC. of the SCOTT FITZGER COMPANY and subject to return on demand. Its contents are confidential and must not be copied or submitted to outside parties for use or examination.					
DRAWN BY	CHECKED BY	APPROVED BY	ENGINEERING	MFG/MRKTG	CT
AEK	DMS	AEK	1/23/12	1/23/12	1/23/12
MATERIAL		N/A		POWEREX	
PART NAME		QUADPLEX CLAW LAB VAC		150 PRODUCTION DRIVE, HARRISON, OHIO 45030 Ph: 888-769-7979 FAX: (513) 367-3125	
DWG NO		LCPQ0705		SIZE D	
FLOW SCHEMATIC				LCPQ0705B-099	

8

7

6

5

4

3

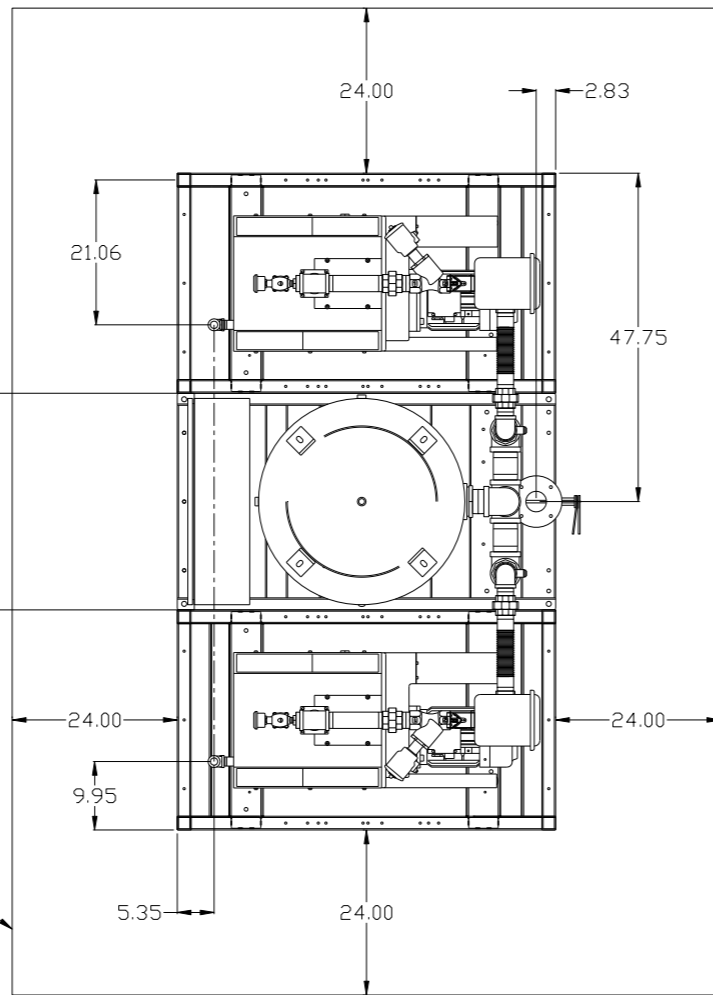
2

1

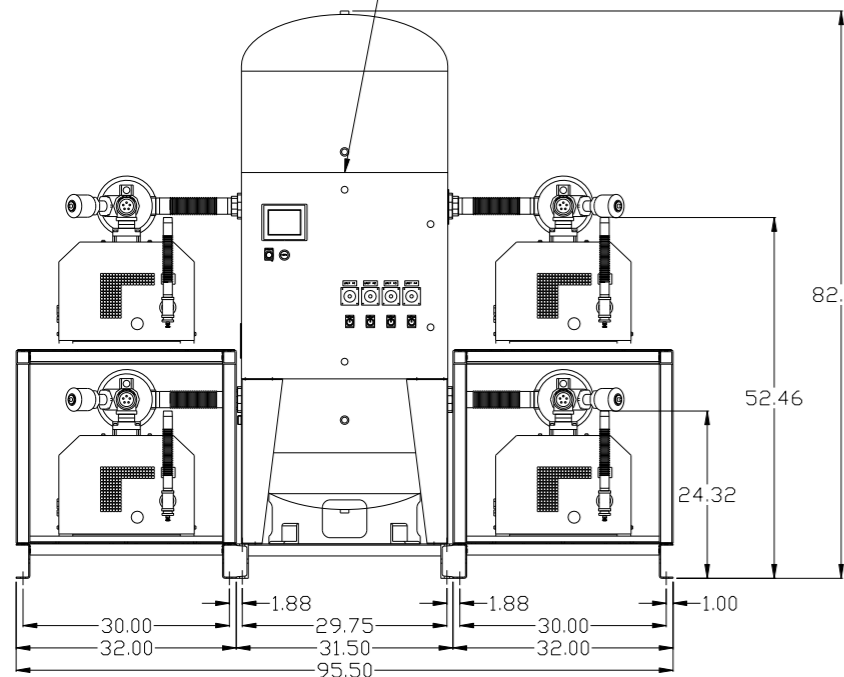
REV	ZONE	REVISION	DATE	ECN	NAME	CHKD
B-1	ALL	RELEASE TO PRODUCTION	1/23/12	PRE0003	AEK	DMS

MINIMUM RECOMMENDED
ELECTRICAL PANEL
CLEARANCE PER OSHA/ NEC

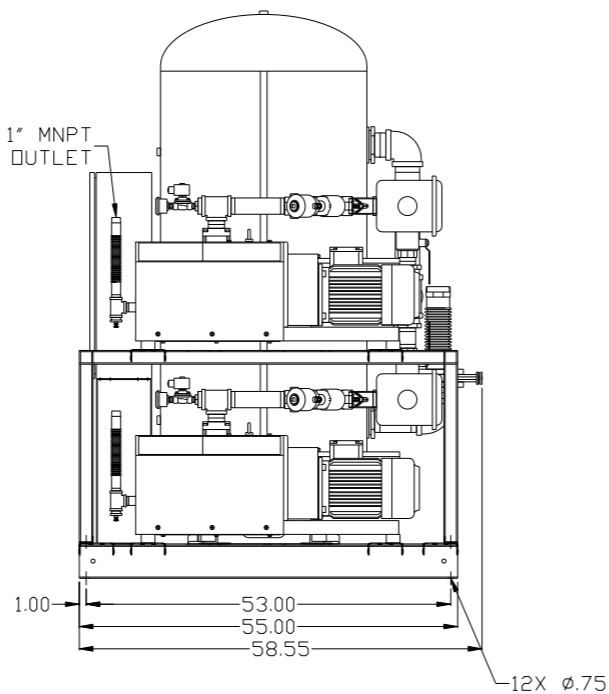
MINIMUM RECOMMENDED
MAINTENANCE CLEARANCE



PBMI/HMI
CONTROL
PANEL

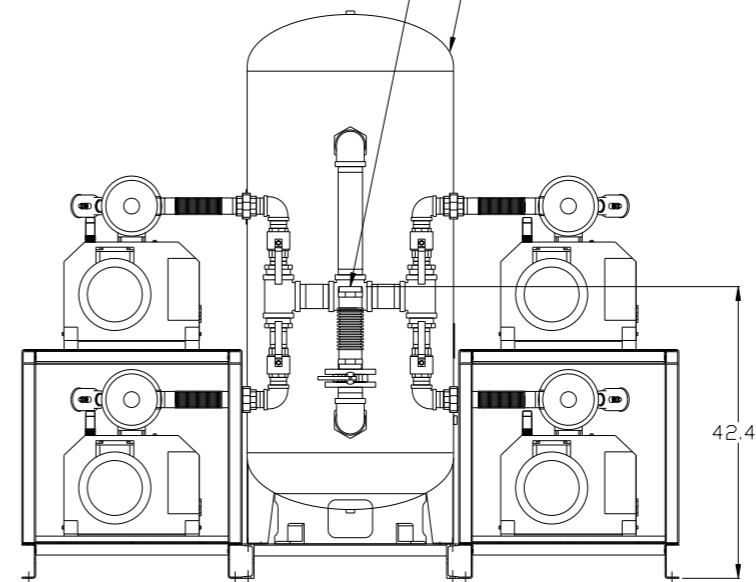


4X 1" MNPT
OUTLET



3" MNPT
AIR INLET

200GAL ASME
RECEIVER



NOTE: AUTO PURGE IS OPTIONAL.

SYMBOL LEGEND ⊖ = MINUS DRAFT ⊕ = PLUS DRAFT ∅ = ADDITIONAL CONTROL REQ'D Ⓜ = BRINELL HARDNESS		Drawings to conform to the current revision of the following ANSI standards: Y14.3 Multi and sectional view dgs. Y14.5M Dimensioning and tolerancing	
TOLERANCES NOT SPECIFIED .XX ± .XXX ± \angle (DEG) ±		DO NOT SCALE DRAWING FOR DIMENSIONS Sheet 1 of 2 SCALE 1:14	
CONFIDENTIAL DISCLOSURE This drawing is the property of POWEREX, INC. of the SCOTT FEITZER COMPANY and subject to return on demand. Its contents are confidential and must not be copied or submitted to outside parties for use or examination.		AUTOCAD REL2008 LT DO NOT SCALE DRAWING FOR DIMENSIONS	
DRAWN BY: AEK CHECKED BY: DMS 1/23/12		APPROVED BY: AEK, CT 1/23/12, 1/23/12, 1/23/12, 1/23/12	
MATERIAL: N/A PART NAME: 7HP LAB VACUUM 200G QUADPLEX		POWEREX 150 PRODUCTION DRIVE, HARRISON, OHIO 45030 Ph: 888-769-7979 FAX: (513) 367-3125	
DWG NO: LCPQ0705		SIZE: D	

8

7

6

5

4

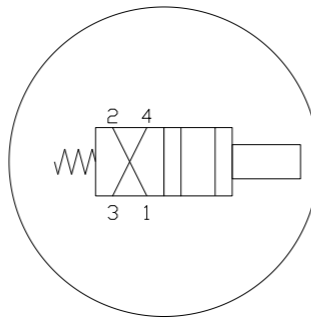
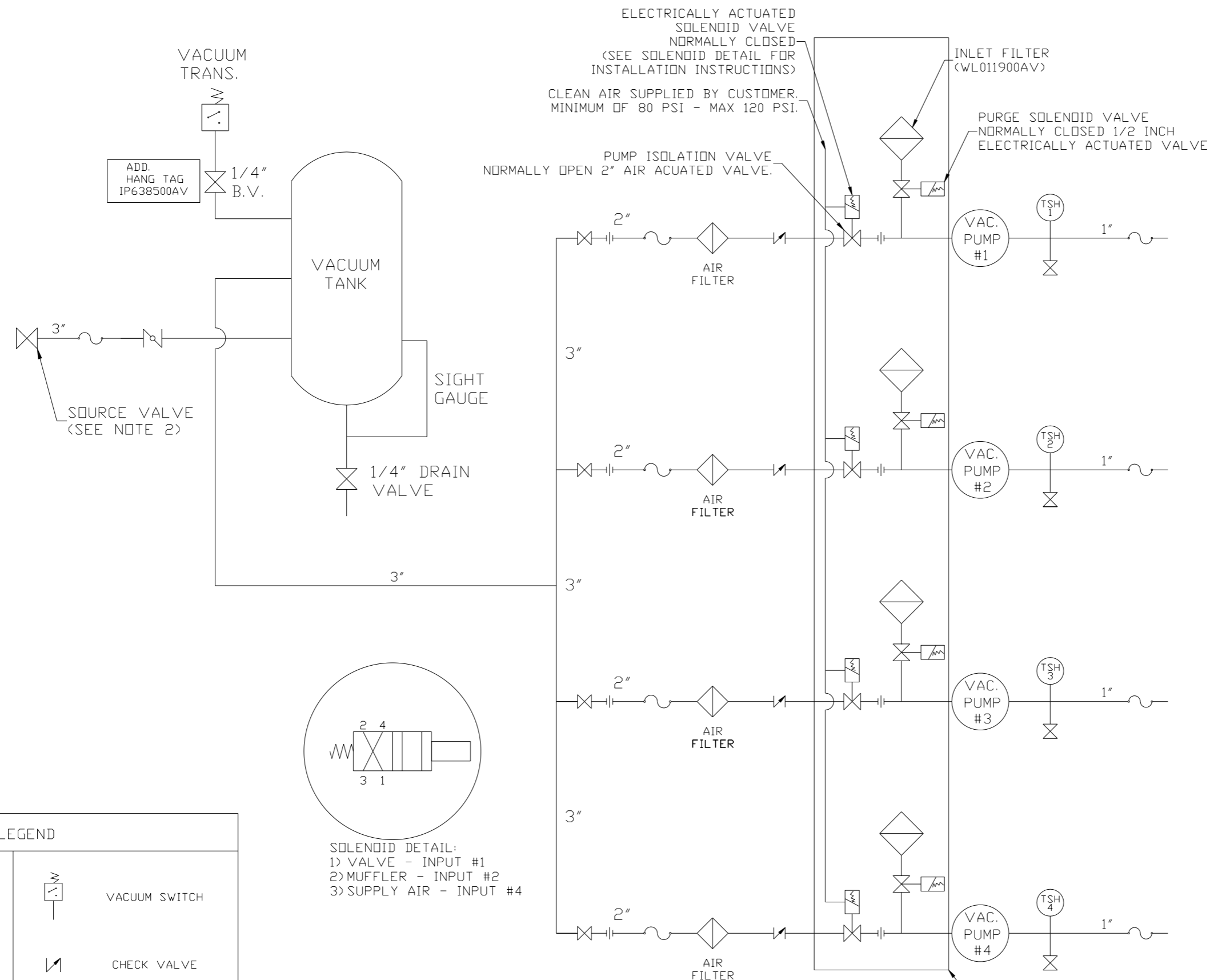
3

2

1

LCPQ0705B.dwg

REV	ZONE	REVISION	DATE	ECN	NAME	CHKD
B-1	ALL	RELEASE TO PRODUCTION	1/23/12	PRE0003	AEK	DMS



SOLENOID DETAIL:
 1) VALVE - INPUT #1
 2) MUFFLER - INPUT #2
 3) SUPPLY AIR - INPUT #4

NOTE:
 1) TSH - TEMPERATURE SWITCH HIGH
 2) PER NFPA THE SYSTEM WILL REQUIRE A SOURCE VALVE (SUPPLIED BY OTHERS).

NOTE:
 A 1/4 INCH VENT PLUG IS LOCATED IN THE FILTER HOUSING.

AUTO PURGE IS OPTIONAL

LEGEND	
	TEMP. SWITCH
	AIR FILTER
	BALL VALVE
	BUTTERFLY VALVE
	VACUUM SWITCH
	CHECK VALVE
	FLEX LINE
	UNION

SYMBOL LEGEND			ADDITIONAL CONTROL REQ'D	Drawings to conform to the current revision of the following ANSI standards:
	MINUS DRAFT		BRINELL HARDNESS	Y14.3 Multi and sectional view dgs. Y14.5M Dimensioning and tolerancing
TOLERANCES NOT SPECIFIED		DO NOT SCALE DRAWING FOR DIMENSIONS		
.XX ±		AUTOCAD REL2008 LT	SCALE 1:14	
.XXX ±		INCH	Sheet 2 of 2	
<Z< DEG ±				
CONFIDENTIAL DISCLOSURE				
This drawing is the property of POWEREX, INC. of the SCOTT FETZER COMPANY and subject to return on demand. Its contents are confidential and must not be copied or submitted to outside parties for use or examination.				
DRAWN BY	CHECKED BY	ENGINEERING	MFG/MKTG	APPROVED BY
AEK	DMS	AEK	CT	
1/23/12	1/23/12	1/23/12	1/23/12	
MATERIAL		N/A		
PART NAME		QUADPLEX CLAW LAB VAC		
FLOW SCHEMATIC		LCPQ0705		
DWG NO		SIZE D		

8

7

6

5

4

3

2

1

REV	ZONE	REVISION	DATE	ECN	NAME	CHKD
B-1	ALL	RELEASE TO PRODUCTION	1/23/12	PREC003	AEK	DMS

MINIMUM RECOMMENDED
ELECTRICAL PANEL
CLEARANCE PER OSHA/ NEC

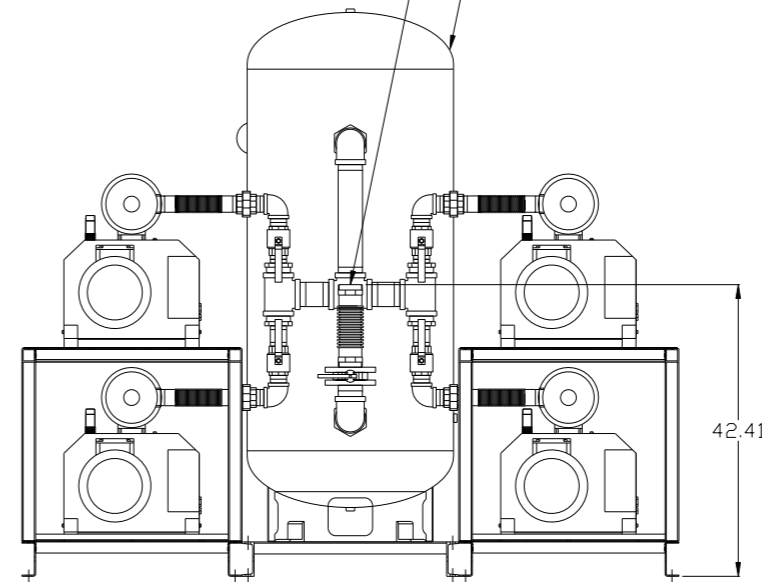
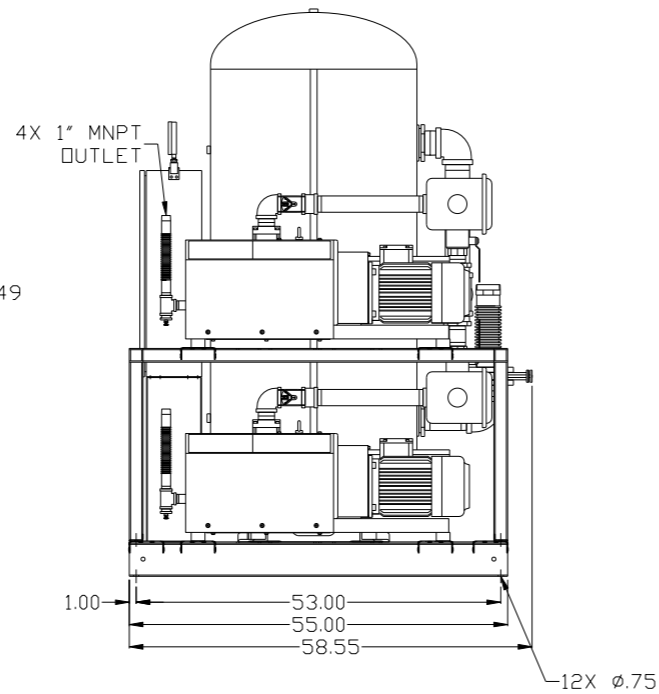
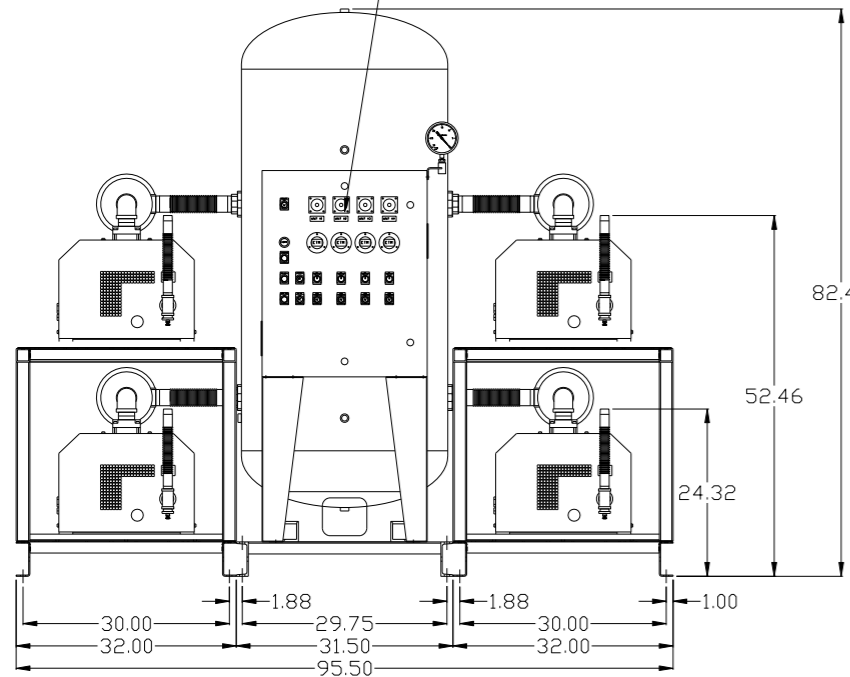
MINIMUM RECOMMENDED
MAINTENANCE CLEARANCE

BASIC
CONTROL
PANEL

4X 1" MNPT
OUTLET

3" MNPT
AIR INLET

200GAL ASME
RECEIVER



SYMBOL LEGEND ⊖ = MINUS DRAFT ⊕ = PLUS DRAFT ∠ = ANGLE ∠(DEG) = ANGLE IN DEGREES		= ADDITIONAL CONTROL REQ'D = BRINELL HARDNESS		Drawings to conform to the current revision of the following ANSI standards: Y14.3 Multi and sectional view dgs. Y14.5M Dimensioning and tolerancing	
TOLERANCES NOT SPECIFIED .XX ± .XXX ± \angle(DEG) ±		AUTOCAD REL2008 LT INCH		DO NOT SCALE DRAWING FOR DIMENSIONS Sheet 1 of 2 SCALE 1:14	
CONFIDENTIAL DISCLOSURE This drawing is the property of POWEREX, INC. of the SCOTT FEITZER COMPANY and subject to return on demand. Its contents are confidential and must not be copied or submitted to outside parties for use or examination.					
DRAWN BY AEK		CHECKED BY DMS		APPROVED BY ENGINEERING MFG/MKTG AEK CT	
MATERIAL N/A		DATE 1/23/12		DATE 1/23/12	
PART NAME 7HP LAB VACUUM 200G QUADPLEX		DWG NO LCPQ0705		SIZE D	

8

7

6

5

4

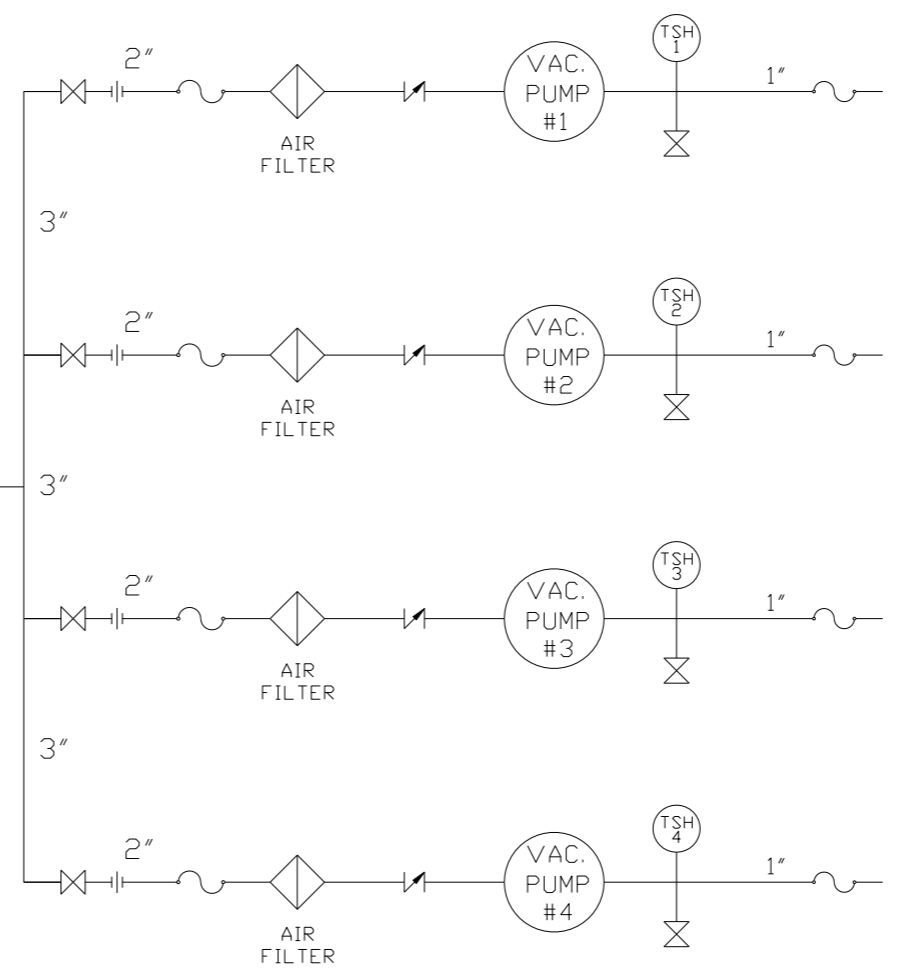
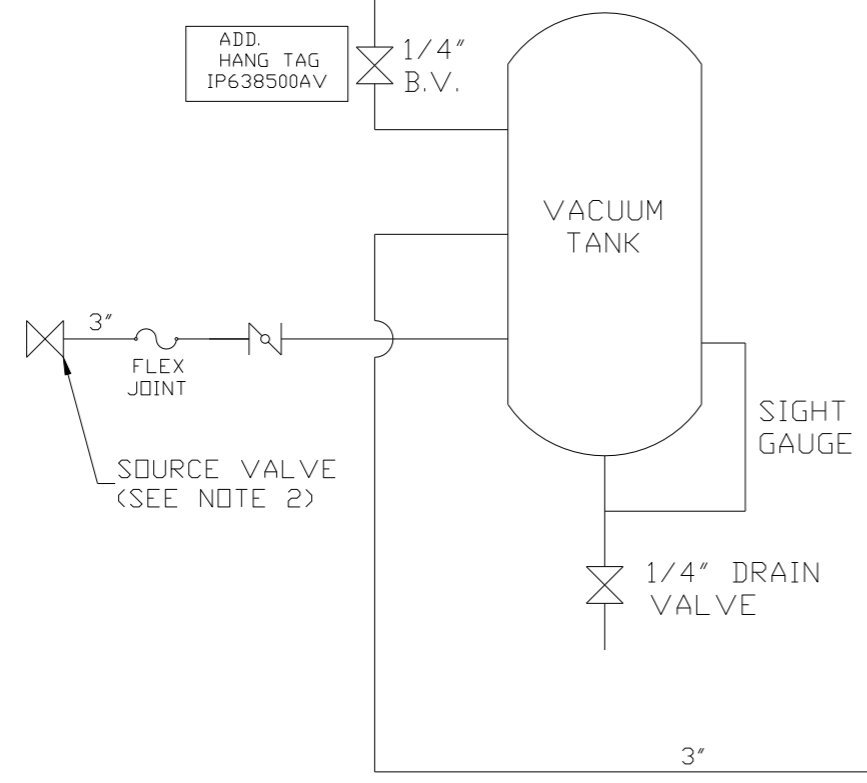
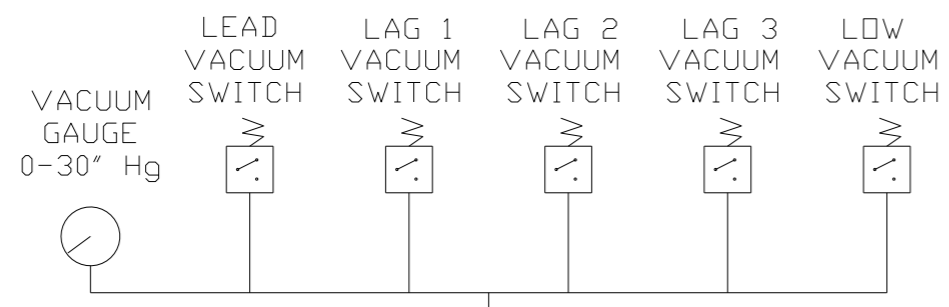
3

2

1

LCPQ0705B.dwg

REV	ZONE	REVISION	DATE	ECN	NAME	CHKD
B-1	ALL	RELEASE TO PRODUCTION	1/23/12	PRE0003	AEK	DMS



NOTE:
A 1/4 INCH VENT PLUG IS LOCATED IN THE FILTER HOUSING.

LEGEND

	TEMP. SWITCH		VACUUM SWITCH
	AIR FILTER		CHECK VALVE
	BALL VALVE		FLEX LINE
	BUTTERFLY VALVE		UNION

NOTE:
1) TSH - TEMPERATURE SWITCH HIGH
2) PER NFPA THE SYSTEM WILL REQUIRE A SOURCE VALVE (SUPPLIED BY OTHERS).

SYMBOL LEGEND			ADDITIONAL CONTROL REQ'D	Drawings to conform to the current revision of the following ANSI standards:	
	MINUS DRAFT		BRINELL HARDNESS	Y14.3 Multi and sectional view dgs. Y14.5M Dimensioning and tolerancing	
TOLERANCES NOT SPECIFIED		AUTOCAD REL2008 LT		DO NOT SCALE DRAWING FOR DIMENSIONS	
.XX ±	.XXX ±	INCH		Sheet 2 of 2	SCALE 1:14
CONFIDENTIAL DISCLOSURE This drawing is the property of POWEREX, INC. of the SCOTT FETZER COMPANY and subject to return on demand. Its contents are confidential and must not be copied or submitted to outside parties for use or examination.					
DRAWN BY	CHECKED BY	APPROVED BY	ENGINEERING	MFG/MKTG	
AEK	DMS	AEK	CT		
1/23/12	1/23/12	1/23/12	1/23/12		
MATERIAL		N/A			
PART NAME		QUADPLEX CLAW LAB VAC		150 PRODUCTION DRIVE, HARRISON, OHIO 45030 Ph: 888-769-7979 FAX: (513) 367-3125	
FLOW SCHEMATIC		LCPQ0705		SIZE D	