

8

7

6

5

4

3

2

1

REV	ZONE	REVISION	DATE	ECN	NAME	CHKD
B-1	ALL	RELEASE TO PRODUCTION	1/22/13	PREC003	AEK	DMS

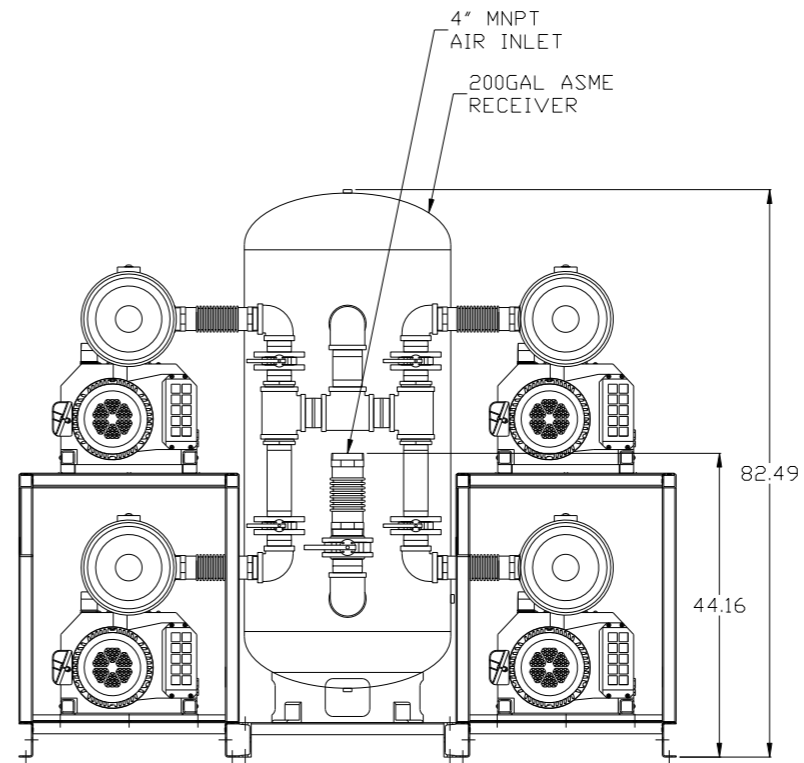
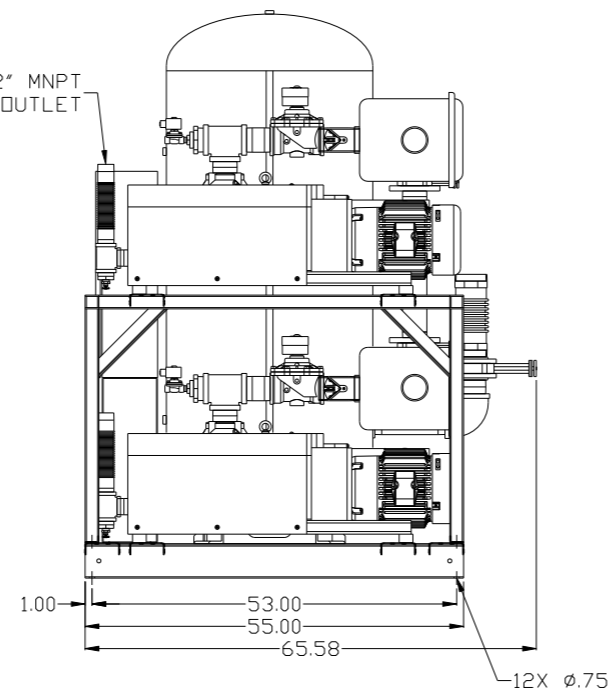
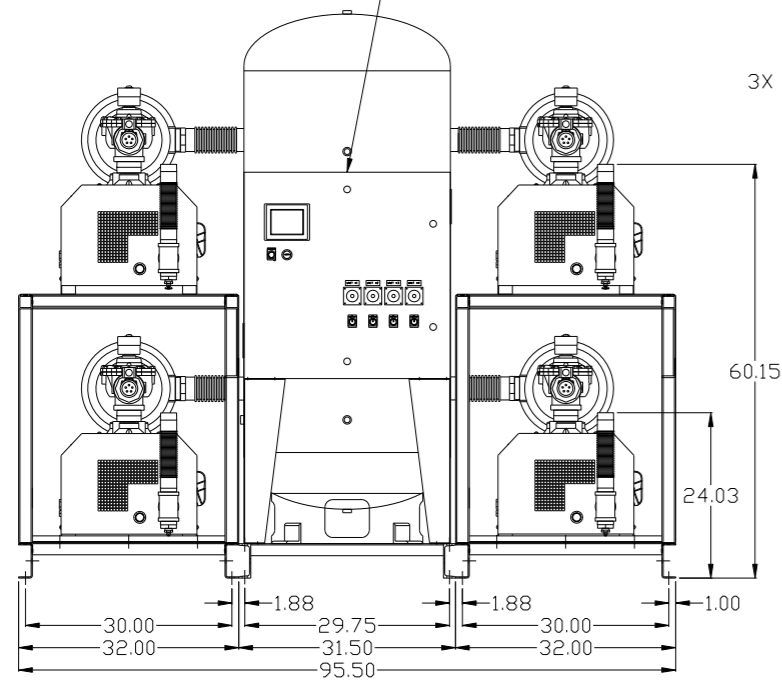
MINIMUM RECOMMENDED  
ELECTRICAL PANEL  
CLEARANCE PER OSHA/ NEC

MINIMUM RECOMMENDED  
MAINTENANCE CLEARANCE

PBMI/HMI  
CONTROL  
PANEL

3X 2" MNPT  
OUTLET

4" MNPT  
AIR INLET  
200GAL ASME  
RECEIVER



NOTE: AUTO PURGE IS OPTIONAL.

<b>SYMBOL LEGEND</b> ⊖ = MINUS DRAFT ⊕ = PLUS DRAFT Ⓢ = ADDITIONAL CONTROL REQ'D Ⓢ = BRINELL HARDNESS		Drawings to conform to the current revision of the following ANSI standards: Y14.3 Multi and sectional view dgs. Y14.5M Dimensioning and tolerancing	
TOLERANCES NOT SPECIFIED .XX ± .XXX ± <DEG> ±		AUTOCAD REL2008 LT <b>INCH</b>	
<b>CONFIDENTIAL DISCLOSURE</b> This drawing is the property of POWEREX, INC. of the SCOTT FEITZER COMPANY and subject to return on demand. Its contents are confidential and must not be copied or submitted to outside parties for use or examination.		<b>DO NOT SCALE DRAWING FOR DIMENSIONS</b> Sheet 1 of 2 SCALE 1:14	
DRAWN BY AEK	CHECKED BY DMS	APPROVED BY AEK	MFG/MKTG CT
1/22/13	1/22/13	1/22/13	1/22/13
MATERIAL N/A		 150 PRODUCTION DRIVE, HARRISON, OHIO 45030 Ph 888-769-7979 Fax (513) 367-3125	
PART NAME 10HP LAB VACUUM 200G QUADPLEX		DVG NO LCPQ1005	SIZE D

8

7

6

5

4

3

2

1

LCPQ1005B.dwg



REV	ZONE	REVISION	DATE	ECN	NAME	CHKD
B-1	ALL	RELEASE TO PRODUCTION	1/22/13	PRE0003	AEK	DMS

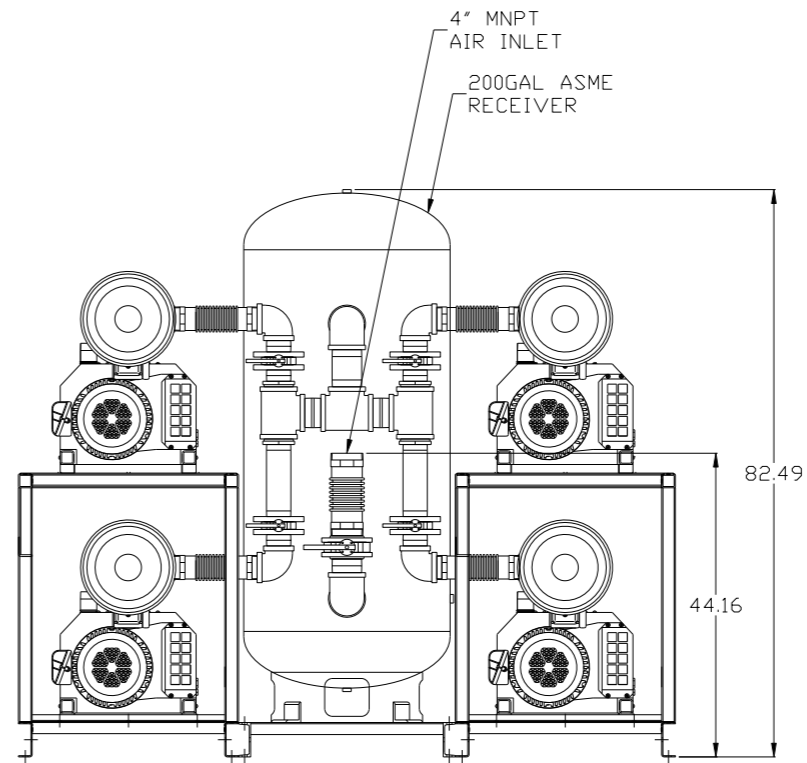
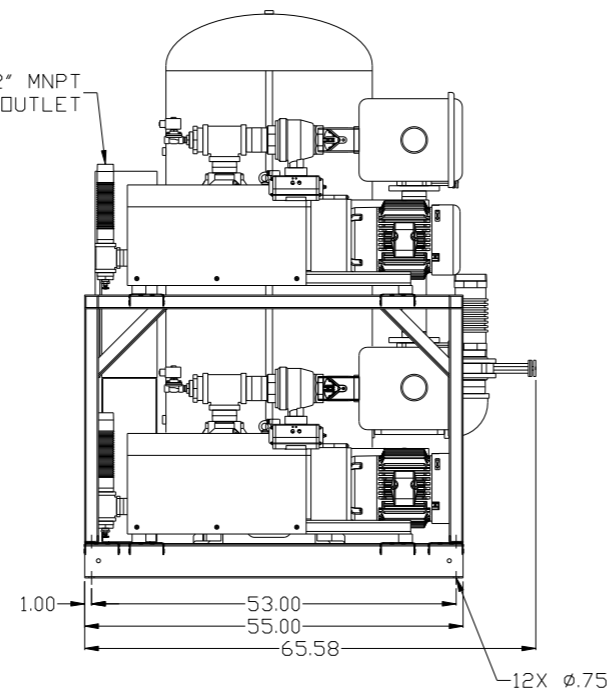
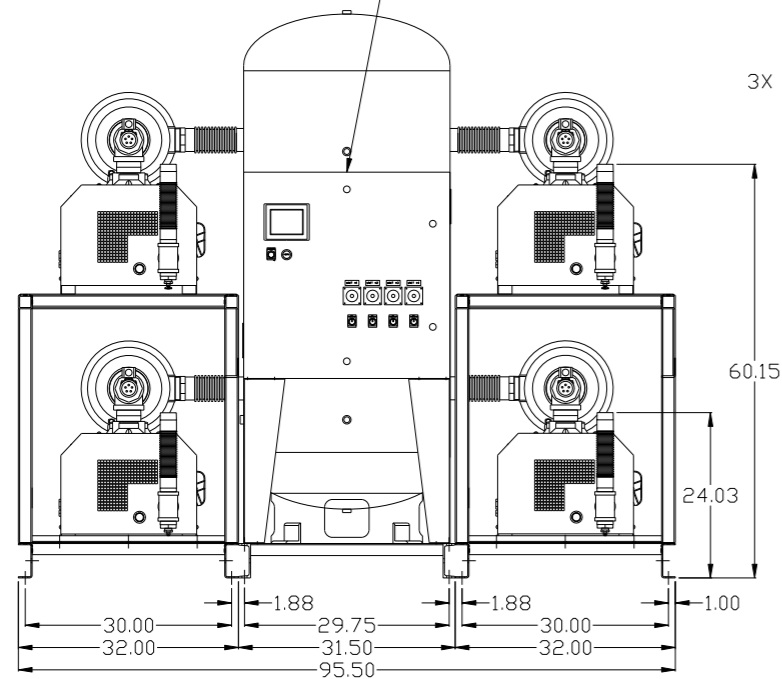
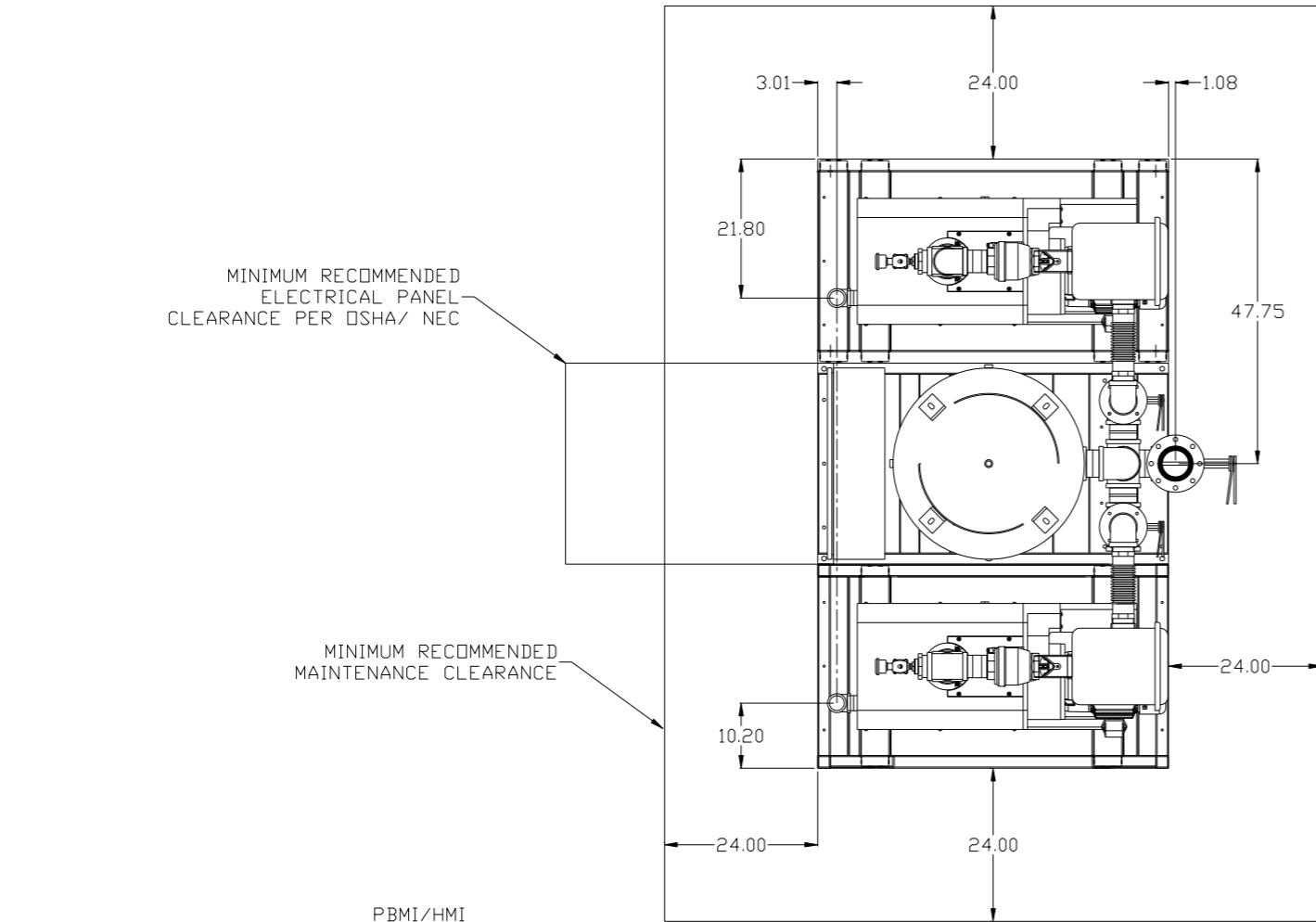
MINIMUM RECOMMENDED ELECTRICAL PANEL CLEARANCE PER OSHA/ NEC

MINIMUM RECOMMENDED MAINTENANCE CLEARANCE

PBMI/HMI CONTROL PANEL

3X 2" MNPT OUTLET

4" MNPT AIR INLET  
200GAL ASME RECEIVER



NOTE: AUTO PURGE IS OPTIONAL.

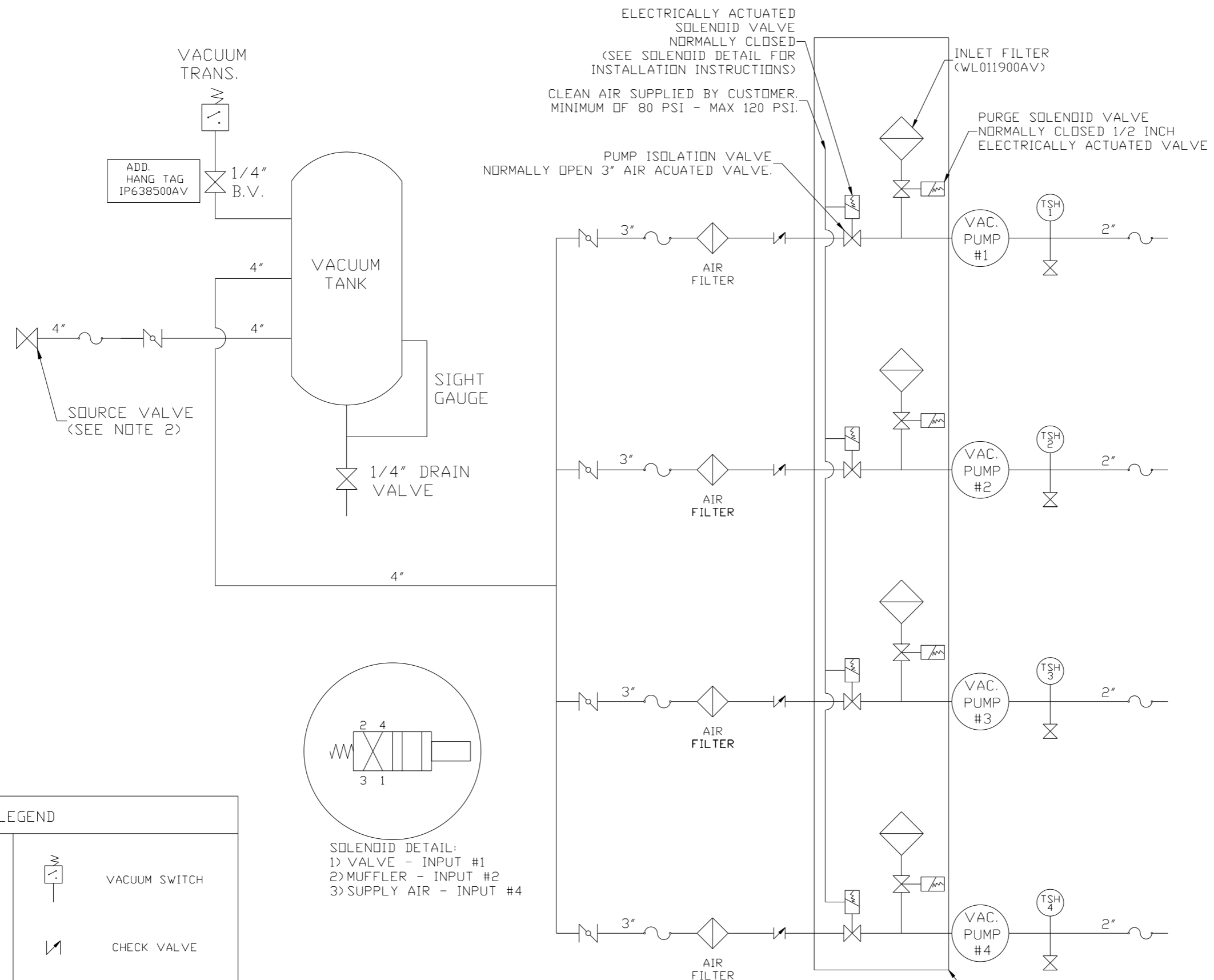
SYMBOL LEGEND	⊖ = MINUS DRAFT	⊕ = PLUS DRAFT	⊖ = ADDITIONAL CONTROL REQ'D	⊕ = BRINELL HARDNESS	Drawings to conform to the current revision of the following ANSI standards: Y14.3 Multi and sectional view dgs. Y14.5M Dimensioning and tolerancing
---------------	-----------------	----------------	------------------------------	----------------------	--

TOLERANCES NOT SPECIFIED	AUTOCAD REL2008 LT	DO NOT SCALE DRAWING FOR DIMENSIONS
.XX ±	INCH	Sheet 1 of 2
.XXX ±		SCALE 1:14
<DEG> ±		

CONFIDENTIAL DISCLOSURE This drawing is the property of POWEREX, INC. of the SCOTT FETZER COMPANY and subject to return on demand. Its contents are confidential and must not be copied or submitted to outside parties for use or examination.			
DRAWN BY	CHECKED BY	APPROVED BY	ENGINEERING MFG/MRKTG
AEK	DMS	AEK	CT
1/22/13	1/22/13	1/22/13	1/22/13

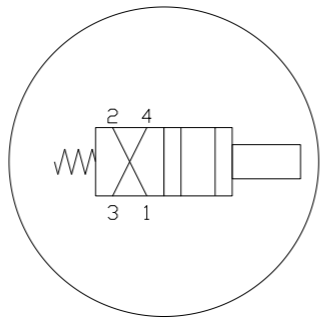
MATERIAL	N/A	 150 PRODUCTION DRIVE, HARRISON, OHIO 45030 Ph 888-769-7979 FAX (513) 367-3125
PART NAME	10HP LAB VACUUM 200G QUADPLEX	
DWG NO	LCPQ1005	SIZE D

REV	ZONE	REVISION	DATE	ECN	NAME	CHKD
B-1	ALL	RELEASE TO PRODUCTION	1/22/13	PRE0003	AEK	DMS



LEGEND

	TEMP. SWITCH		VACUUM SWITCH
	AIR FILTER		CHECK VALVE
	BALL VALVE		FLEX LINE
	BUTTERFLY VALVE		UNION



SOLENOID DETAIL:  
 1) VALVE - INPUT #1  
 2) MUFFLER - INPUT #2  
 3) SUPPLY AIR - INPUT #4

NOTE:  
 1) TSH - TEMPERATURE SWITCH HIGH  
 2) PER NFPA THE SYSTEM WILL REQUIRE A SOURCE VALVE (SUPPLIED BY OTHERS).

NOTE:  
 A 1/4 INCH VENT PLUG IS LOCATED IN THE FILTER HOUSING.

AUTO PURGE IS OPTIONAL

SYMBOL LEGEND			= ADDITIONAL CONTROL REQ'D	Drawings to conform to the current revision of the following ANSI standards.
	= MINUS DRAFT		= BRINELL HARDNESS	Y14.3 Multi and sectional view dsgs. Y14.5M Dimensioning and tolerancing
TOLERANCES NOT SPECIFIED		AUTOCAD REL2008 LT	DO NOT SCALE DRAWING FOR DIMENSIONS	
.XX ±		INCH	Sheet 2 of 2	SCALE 1:14
.XXX ±				
<< DEG >> ±				
CONFIDENTIAL DISCLOSURE This drawing is the property of POWEREX, INC. of the SCOTT FETZER COMPANY and subject to return on demand. Its contents are confidential and must not be copied or submitted to outside parties for use or examination.				
DRAWN BY	CHECKED BY	APPROVED BY	MFG/MKTG	
AEK	DMS	AEK	CT	
1/22/13	1/22/13	1/22/13	1/22/13	
MATERIAL		N/A		
PART NAME		QUADPLEX CLAW LAB VAC		
FLOW SCHEMATIC		LCPQ1005		
DWG NO		SIZE D		

REV	ZONE	REVISION	DATE	ECN	NAME	CHKD
B-1	ALL	RELEASE TO PRODUCTION	1/22/13	PRE0003	AEK	DMS

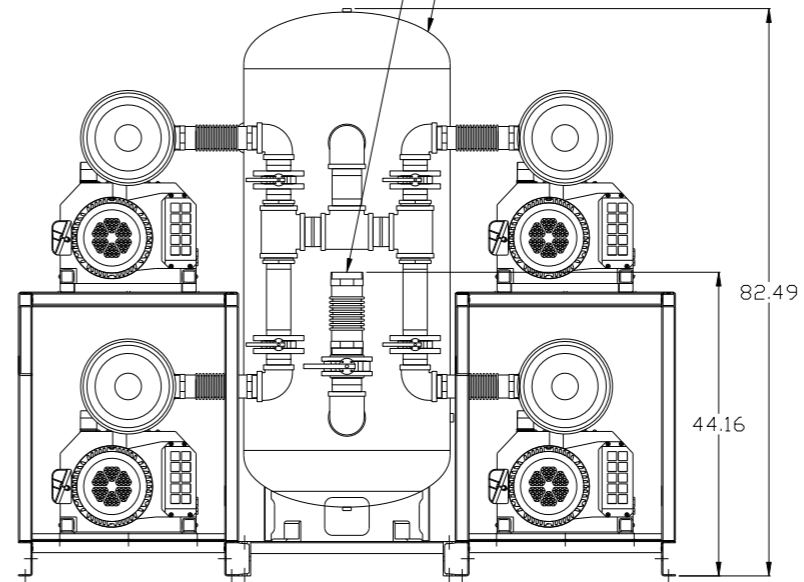
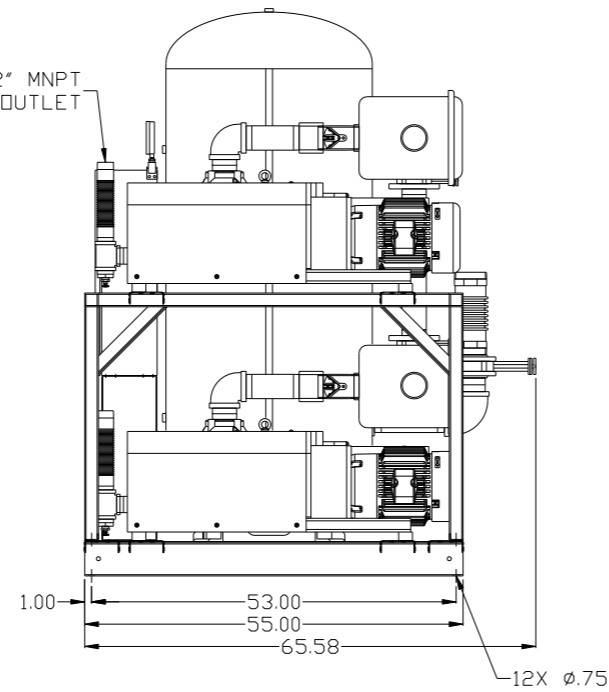
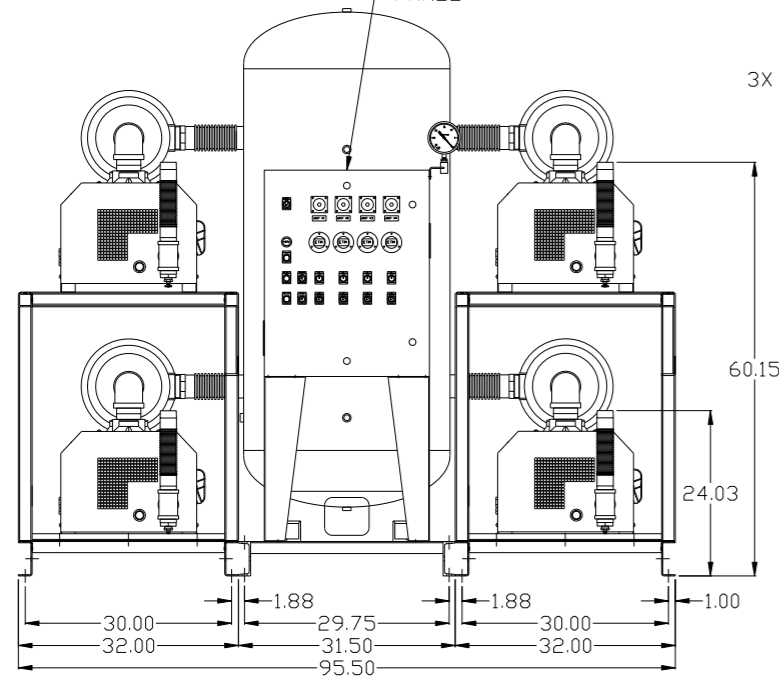
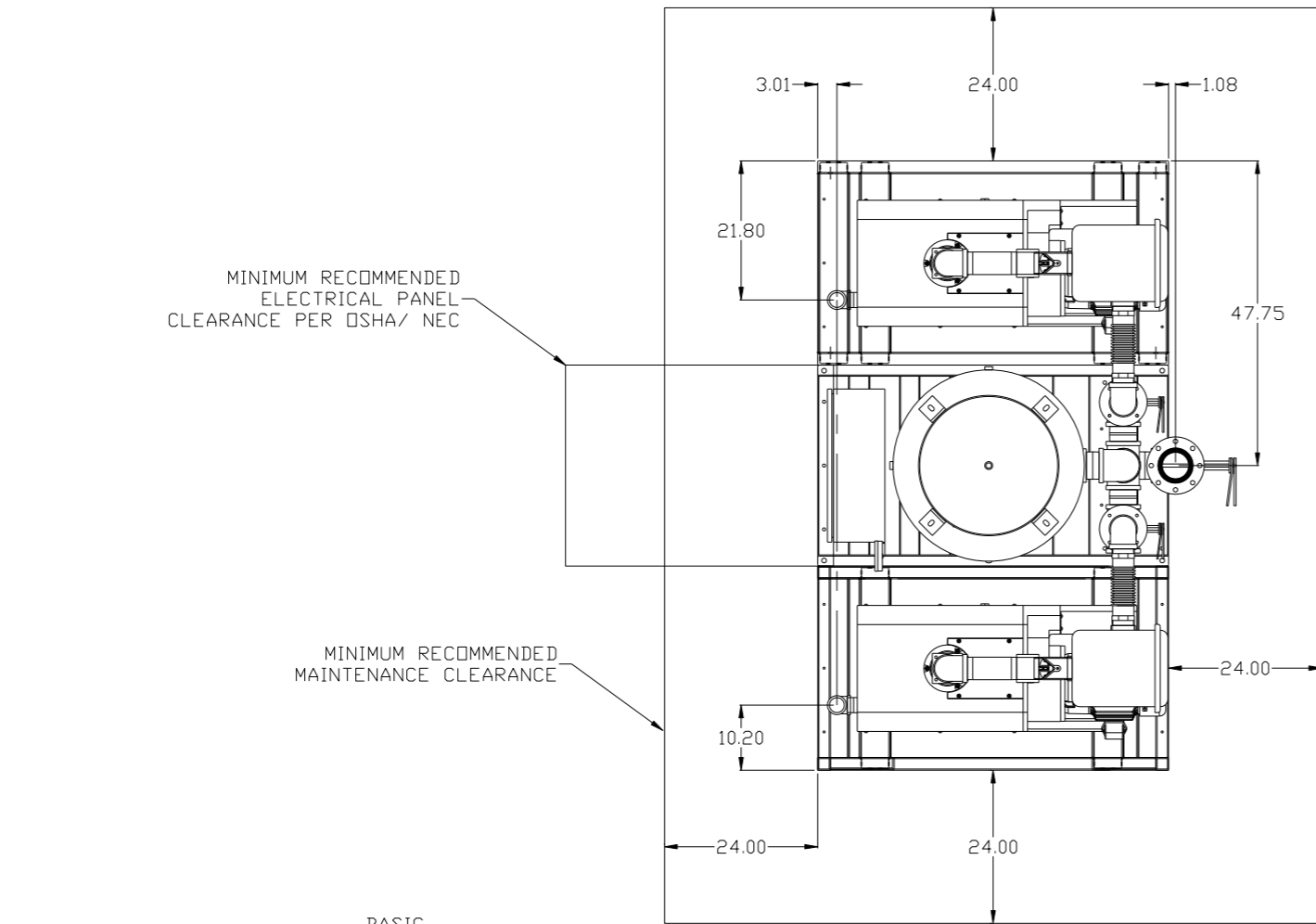
MINIMUM RECOMMENDED ELECTRICAL PANEL CLEARANCE PER OSHA/ NEC

MINIMUM RECOMMENDED MAINTENANCE CLEARANCE

BASIC CONTROL PANEL

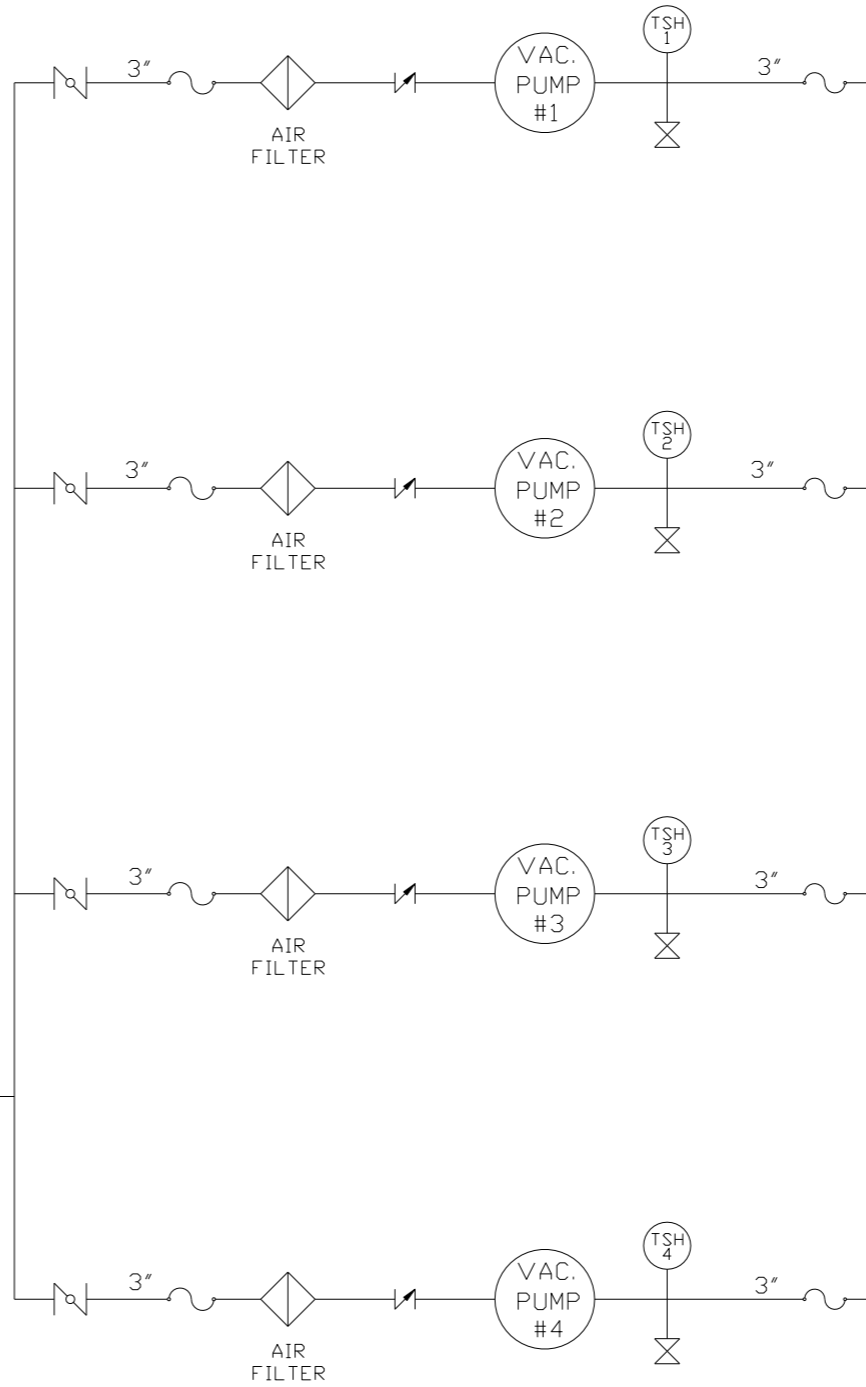
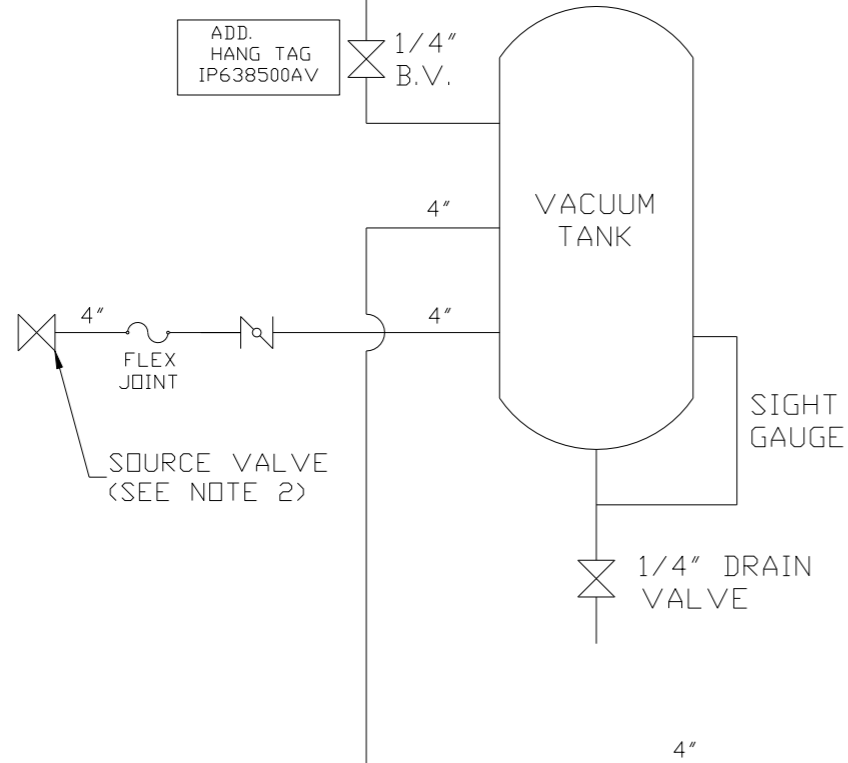
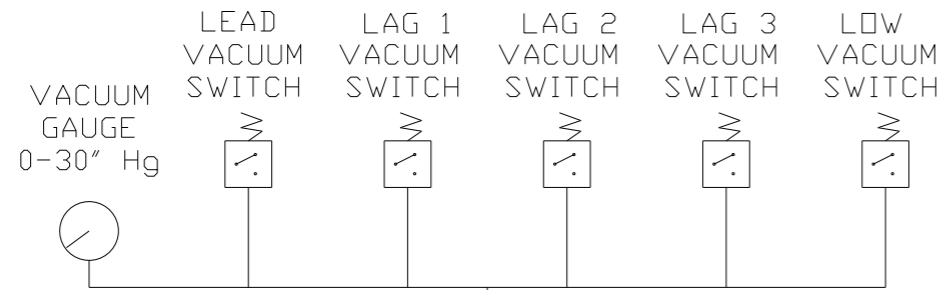
3X 2" MNPT OUTLET

4" MNPT AIR INLET  
200GAL ASME RECEIVER



SYMBOL LEGEND		DRAWINGS TO CONFORM TO THE CURRENT REVISION OF THE FOLLOWING ANSI STANDARDS	
⊖ = MINUS DRAFT	⊕ = PLUS DRAFT	⊖ = ADDITIONAL CONTROL REQ'D	⊕ = BRINELL HARDNESS
TOLERANCES NOT SPECIFIED		DO NOT SCALE DRAWING FOR DIMENSIONS	
.XX ±	.XXX ±	AUTOCAD REL2008 LT	SCALE 1:14
<DEG> ±		INCH	Sheet 1 of 2
CONFIDENTIAL DISCLOSURE: This drawing is the property of POWEREX, INC. of the SCOTT FEITZER COMPANY and subject to return on demand. Its contents are confidential and must not be copied or submitted to outside parties for use or examination.			
DRAWN BY	CHECKED BY	APPROVED BY	ENGINEERING MFG/MKTG
AEK	DMS	AEK	CT
1/22/13	1/22/13	1/22/13	1/22/13
MATERIAL N/A		PART NAME	
		10HP LAB VACUUM	
		200G QUADPLEX	
		DWG NO LCPQ1005	
		SIZE D	

REV	ZONE	REVISION	DATE	ECN	NAME	CHKD
B-1	ALL	RELEASE TO PRODUCTION	1/22/13	PRE0003	AEK	DMS



NOTE:  
A 1/4 INCH VENT PLUG IS  
LOCATED IN THE FILTER HOUSING.

LEGEND

	TEMP. SWITCH		VACUUM SWITCH
	AIR FILTER		CHECK VALVE
	BALL VALVE		FLEX LINE
	BUTTERFLY VALVE		UNION

NOTE:  
1) TSH - TEMPERATURE SWITCH HIGH  
2) PER NFPA THE SYSTEM WILL REQUIRE A SOURCE VALVE (SUPPLIED BY OTHERS).

SYMBOL LEGEND			= ADDITIONAL CONTROL REQ'D	Drawings to conform to the current revision of the following ANSI standards:	
	= MINUS DRAFT		= BRINELL HARDNESS	Y14.3 Multi and sectional view dgs. Y14.5M Dimensioning and tolerancing	
TOLERANCES NOT SPECIFIED		AUTOCAD REL2008 LT	DO NOT SCALE DRAWING FOR DIMENSIONS		
.XX ±		INCH	Sheet 2 of 2	SCALE 1:14	
CONFIDENTIAL DISCLOSURE This drawing is the property of POWEREX, INC. of the SCOTT FETZER COMPANY and subject to return on demand. Its contents are confidential and must not be copied or submitted to outside parties for use or examination.					
DRAWN BY	CHECKED BY	APPROVED BY	MFG/MRKTG		
AEK	DMS	AEK	CT		
1/22/13	1/22/13	1/22/13	1/22/13		
MATERIAL		N/A			
PART NAME		QUADPLEX CLAW LAB VAC FLOW SCHEMATIC			
DWG NO		LCPQ1005		SIZE D	