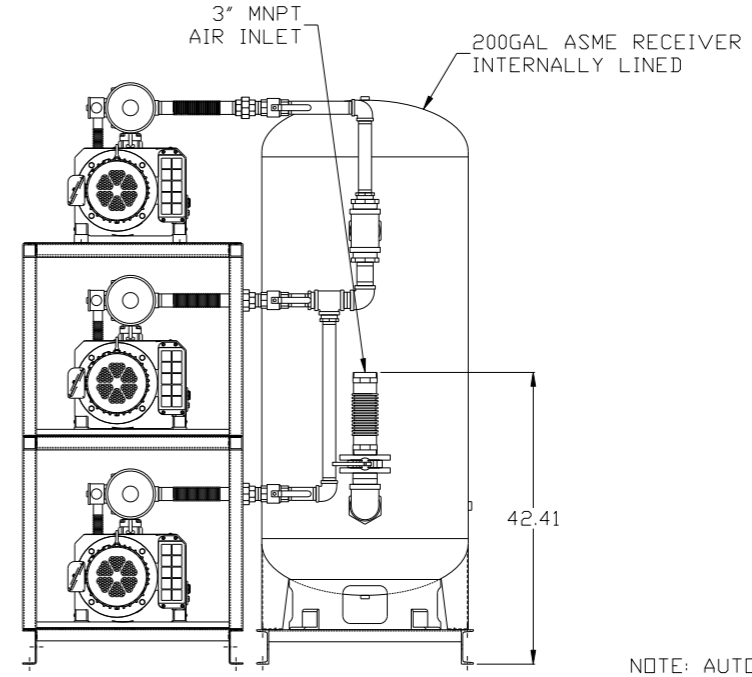
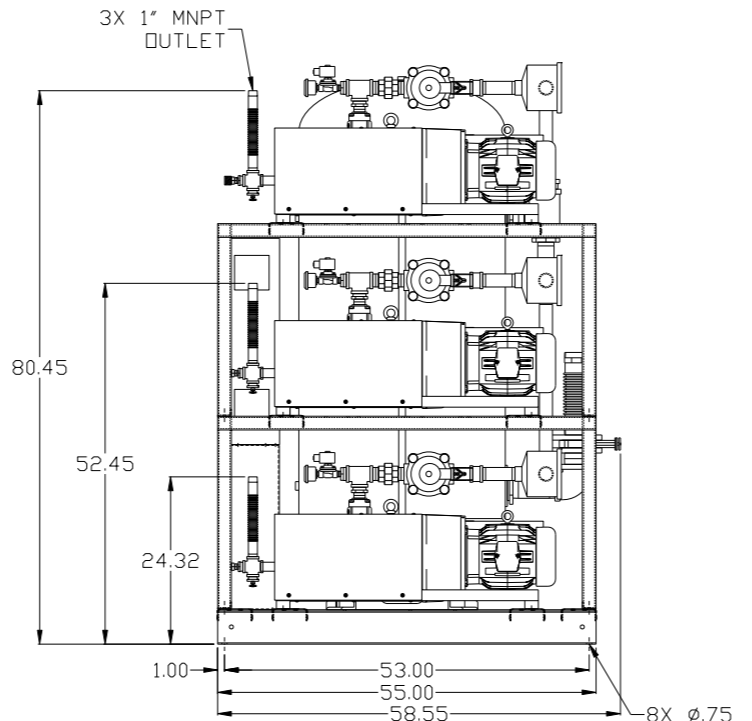
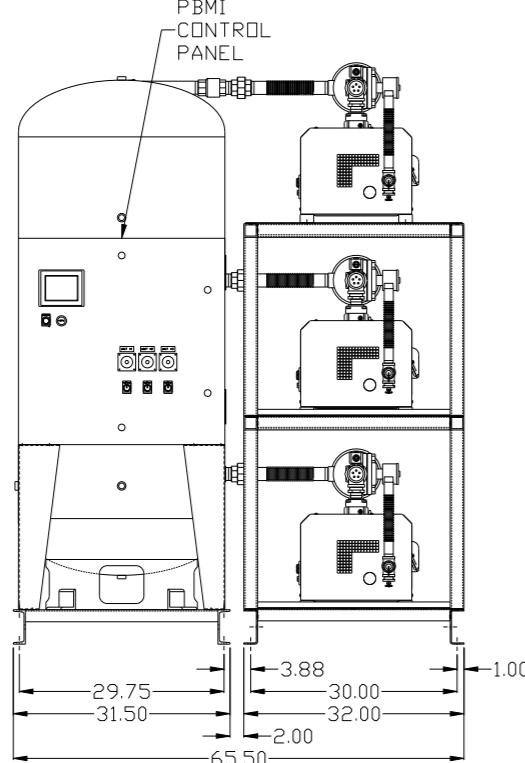
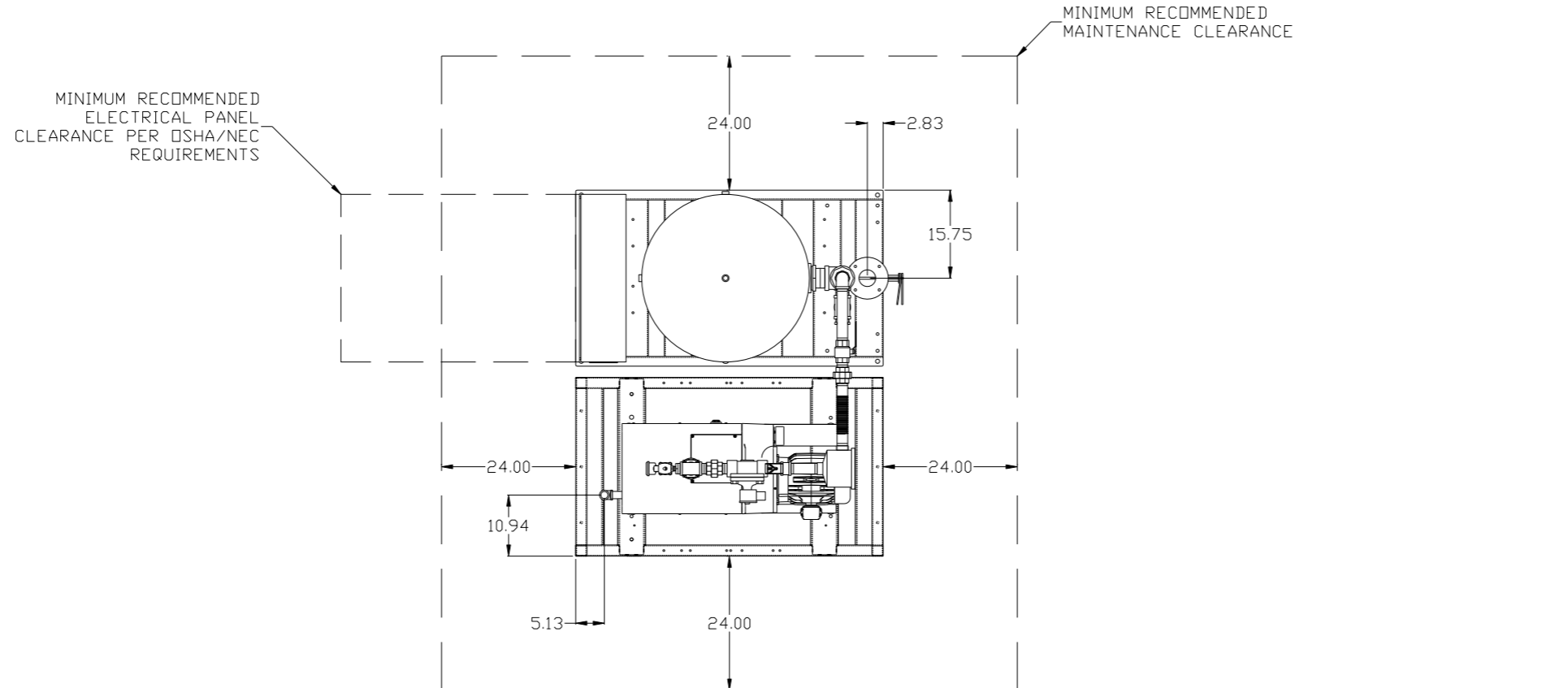


8 7 6 5 4 3 2 1

| REV | ZONE | REVISION | DATE | ECN | NAME | CHKD |
|-----|-------|---------------------------------------|--------|----------|------|------|
| B-1 | ALL | RELEASE TO PRODUCTION | 1/2/13 | PKEC003 | AEK | DMS |
| C-1 | 1 ALL | UPDATED TO PUMP WITH NEMA RATED MOTOR | 7/3/17 | PKEC0149 | AEK | KMB |

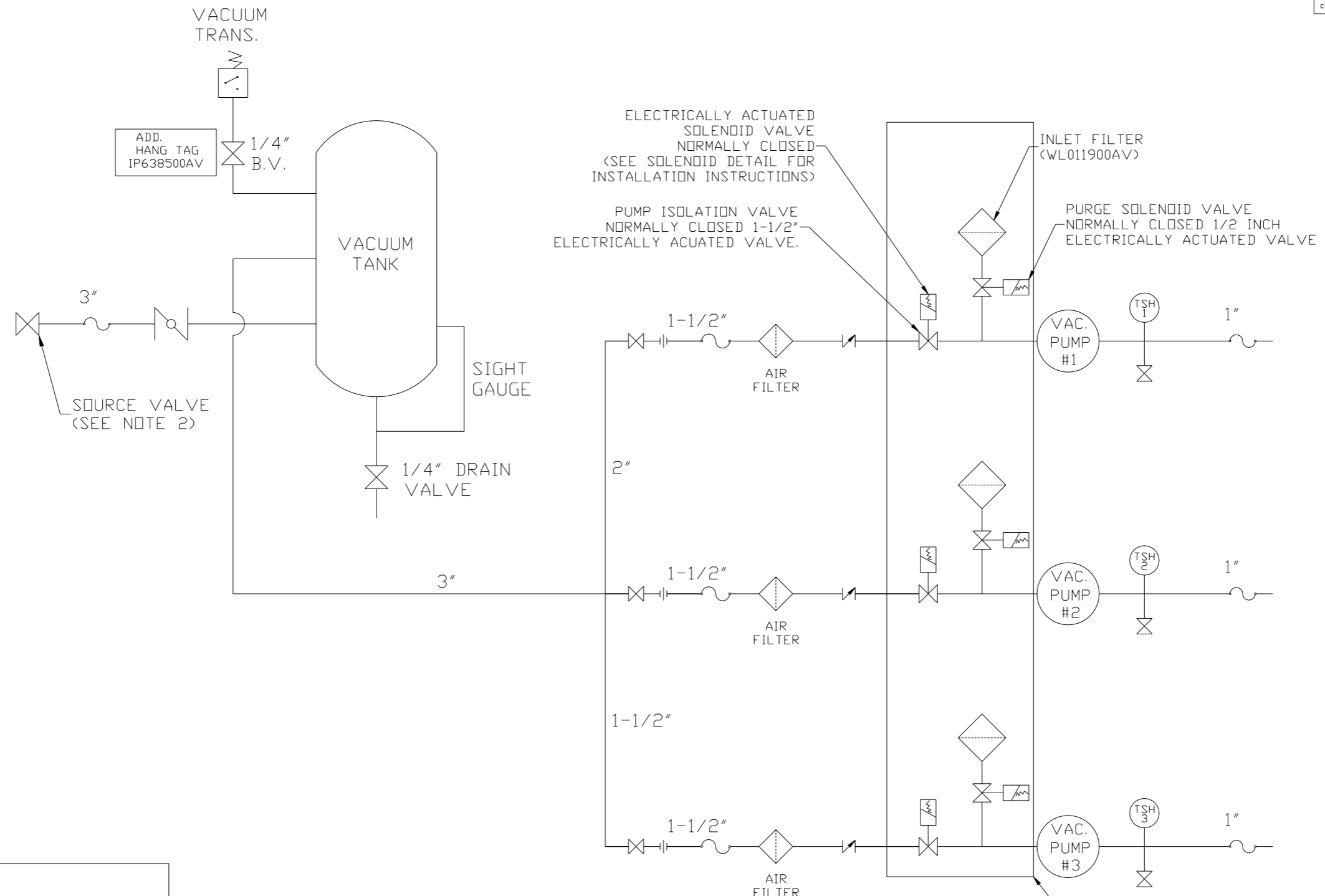


NOTE: AUTO PURGE IS OPTIONAL.

| | | | | |
|---|-------------------|--|-----------------|--|
| SYMBOL LEGEND ⊖ = MINUS DRAFT ⊕ = PLUS DRAFT TOLERANCES NOT SPECIFIED .XX ± .XXX ± \angle (DEG.) ± | | = ADDITIONAL CONTROL REQ'D = BRINELL HARDNESS | | Drawings to conform to the current revision of the following ANSI standards: Y14.3 Multi and sectional view dgs. Y14.5M Dimensioning and tolerancing |
| AUTOCAD REL2008 LT INCH | | DO NOT SCALE DRAWING FOR DIMENSIONS Sheet 1 of 2 SCALE 1:14 | | |
| CONFIDENTIAL DISCLOSURE This drawing is the property of POWEREX, INC. of the SCOTT FETZER COMPANY and subject to return on demand. Its contents are confidential and must not be copied or submitted to outside parties for use or examination. | | | | |
| DRAWN BY AEK | CHECKED BY DMS | APPROVED BY JBC | MFG/MRKTG CT | |
| 1/2/13 | 1/2/13 | 1/2/13 | 1/2/13 | |
| MATERIAL N/A | | 150 PRODUCTION DRIVE, HARRISON, OHIO 45030 Ph 888-769-7979 Fax (513) 367-3125 | | |
| PART NAME 5HP LAB VACUUM 200GAL TRIPLEX | | DWG NO LCPT0505 | SIZE D | |

8 7 6 5 4 3 2 1

| REV | ZONE | REVISION | DATE | ECN | NAME | CHKD |
|-----|------|---------------------------------------|--------|---------|------|------|
| B-1 | ALL | RELEASE TO PRODUCTION | 1/2/13 | PKEC003 | AEK | DMS |
| C-1 | ALL | UPDATED TO PUMP WITH NEMA RATED MOTOR | 7/3/17 | PKEC049 | AEK | KMD |



ELECTRICALLY ACTUATED SOLENOID VALVE NORMALLY CLOSED (SEE SOLENOID DETAIL FOR INSTALLATION INSTRUCTIONS)

PUMP ISOLATION VALVE NORMALLY CLOSED 1-1/2\"/>

NOTE:
A 1/4 INCH VENT PLUG IS LOCATED IN THE FILTER HOUSING.

AUTO PURGE IS OPTIONAL

LEGEND

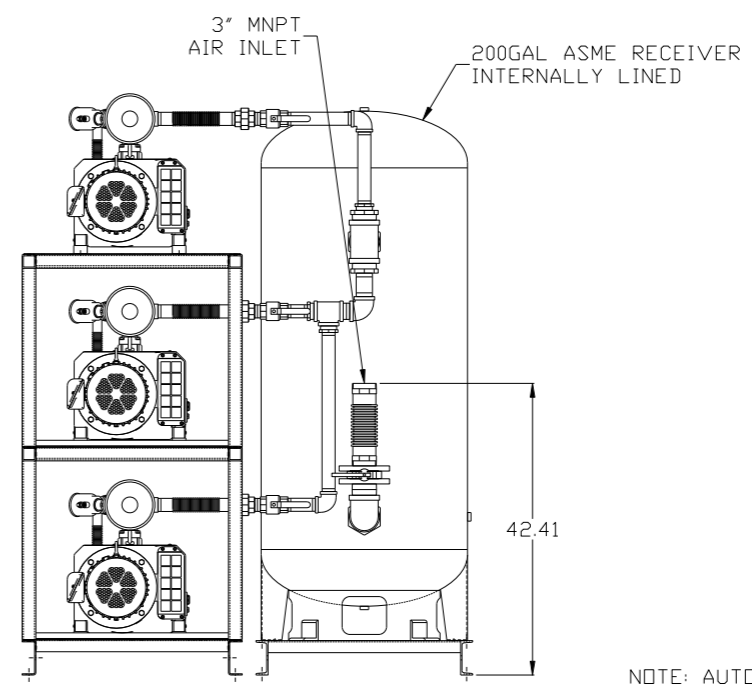
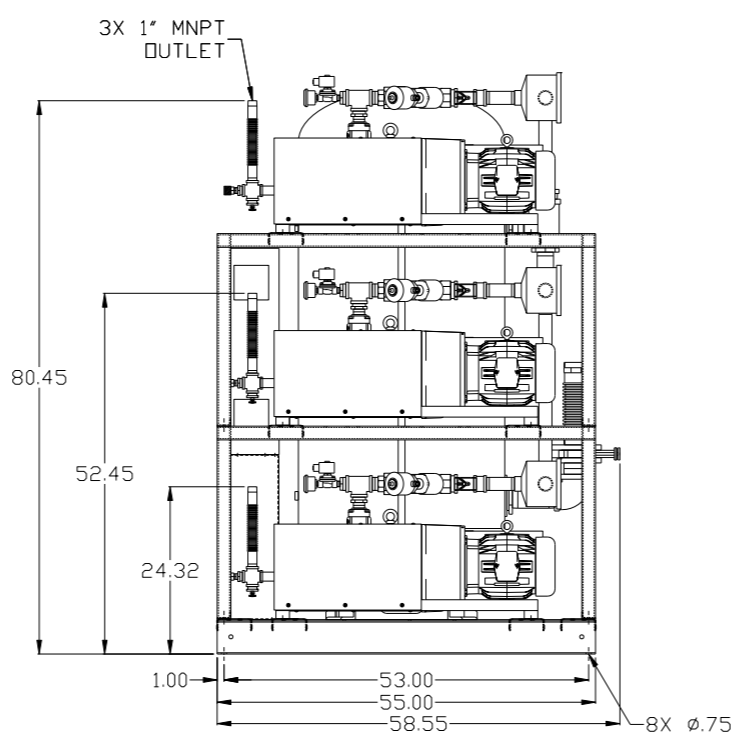
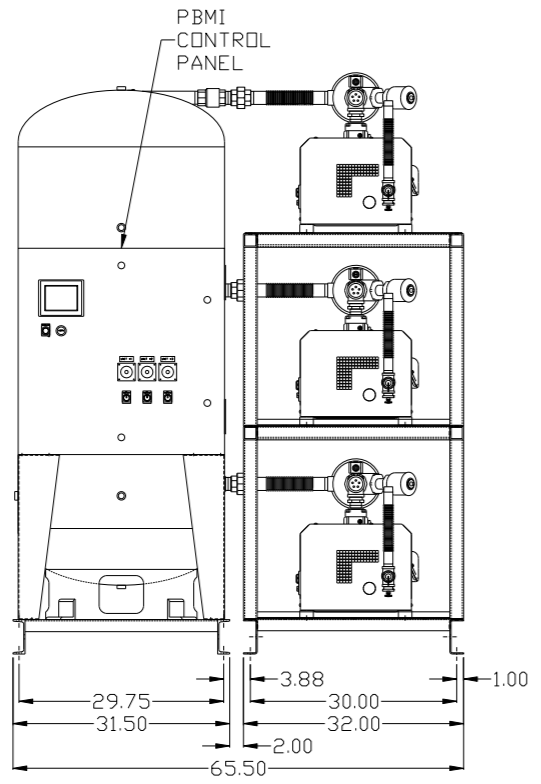
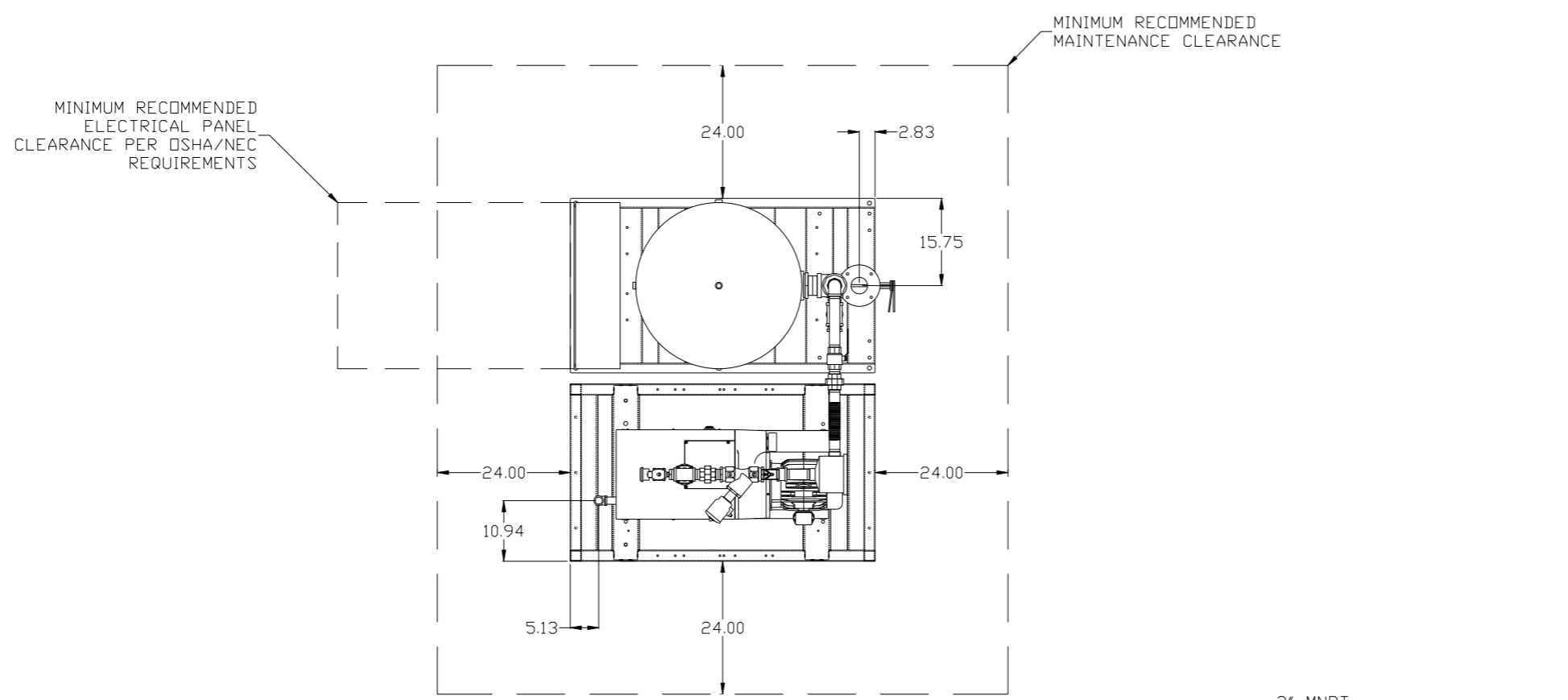
| | | | |
|--|-----------------|--|---------------|
| | TEMP. SWITCH | | VACUUM SWITCH |
| | BUTTERFLY VALVE | | CHECK VALVE |
| | AIR FILTER | | FLEX LINE |
| | BALL VALVE | | UNION |

NOTE:
1) TSH - TEMPERATURE SWITCH HIGH
2) PER NFPA THE SYSTEM WILL REQUIRE A SOURCE VALVE (SUPPLIED BY OTHERS).

| | | | | |
|---|---------------|-------------------------|----------------------------|---|
| SYMBOL LEGEND | | | = ADDITIONAL CONTROL REQ'D | Drawings to conform to the current revision of the following ANSI standards: Y14.3 Multi- and sectional view dgs. Y14.5M Dimensioning and tolerancing |
| | = MINUS DRAFT | | = BRINELL HARDNESS | |
| TOLERANCES NOT SPECIFIED | | AUTOCAD REL2008 LT | | DO NOT SCALE DRAWING FOR DIMENSIONS |
| .XX ± | | INCH | | SCALE 1: 14 |
| .XXX ± | | | | |
| <Z (DEG) ± | | | | |
| CONFIDENTIAL DISCLOSURE This drawing is the property of POWEREX, INC. of the SCOTT FEITZER COMPANY and subject to return on demand. Its contents are confidential and must not be copied or submitted to outside parties for use or examination. | | | | |
| DRAWN BY | CHECKED BY | APPROVED BY | MFG/MRKTG | |
| AEK | DMS | JBC | CT | |
| 1/2/13 | 1/2/13 | 1/2/13 | 1/2/13 | |
| MATERIAL | | N/A | | |
| PART NAME | | TRIPLEX CLAW LAB VACUUM | | |
| FLOW SCHEMATIC | | LCPT0505 | | |
| DWG NO | | SIZE D | | |

8 7 6 5 4 3 2 1

| REV | ZONE | REVISION | DATE | ECN | NAME | CHKD |
|-----|------|---------------------------------------|--------|----------|------|------|
| B-1 | ALL | RELEASE TO PRODUCTION | 1/2/13 | PXEC003 | AEK | DMS |
| C-1 | 1 AL | UPDATED TO PUMP WITH NEMA RATED MOTOR | 7/3/17 | PXEC0149 | AEK | KMB |

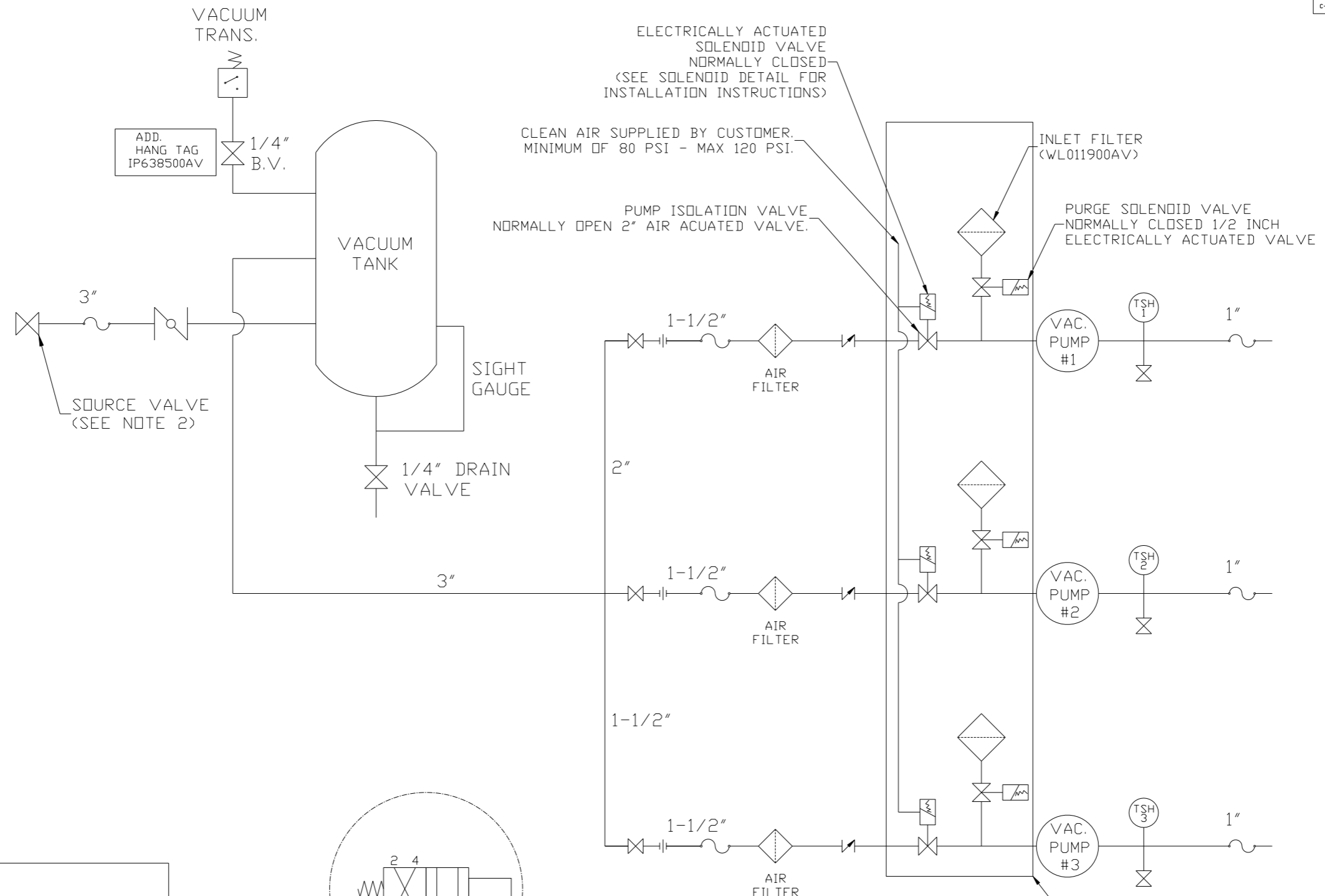


NOTE: AUTO PURGE IS OPTIONAL.

| SYMBOL LEGEND | | = ADDITIONAL CONTROL REQ'D | | Drawings to conform to the current revision of the following ANSI standards: | |
|--------------------------|-------------|--|-------------|--|------------------|
| ⊖ | MINUS DRAFT | ⊕ | PLUS DRAFT | ⊖ | BRINELL HARDNESS |
| TOLERANCES NOT SPECIFIED | | AUTOCAD REL2008 LT | | DO NOT SCALE DRAWING FOR DIMENSIONS | |
| .XX | ± | INCH | | Sheet 1 of 2 | SCALE 1:14 |
| .XXX | ± | <small>CONFIDENTIAL DISCLOSURE</small> This drawing is the property of POWEREX, INC. of the SCOTT FELTZER COMPANY and subject to return on demand. Its contents are confidential and must not be copied or submitted to outside parties for use or examination. | | | |
| <<DEG>> | ± | | | | |
| DRAWN BY | | CHECKED BY | APPROVED BY | | MFG/MRKTG |
| AEK | | DMS | JBC | CT | |
| 1/2/13 | | 1/2/13 | 1/2/13 | 1/2/13 | |
| MATERIAL | | N/A | | | |
| PART NAME | | POWEREX 150 PRODUCTION DRIVE, HARRISON, OHIO 45030 Ph: 888-769-7979 FAX: (513) 367-3125 | | | |
| 5HP LAB VACUUM | | DWG NO | | SIZE | |
| 200GAL TRIPLEX | | LCPT0505 | | D | |

8 7 6 5 4 3 2 1

| REV | ZONE | REVISION | DATE | ECN | NAME | CHKD |
|-----|------|---------------------------------------|--------|----------|------|------|
| B-1 | ALL | RELEASE TO PRODUCTION | 1/2/13 | PXEC003 | AEK | DMS |
| C-1 | ALL | UPDATED TO PUMP WITH NEMA RATED MOTOR | 7/3/17 | PXEC0149 | AEK | KMB |



ELECTRICALLY ACTUATED SOLENOID VALVE NORMALLY CLOSED (SEE SOLENOID DETAIL FOR INSTALLATION INSTRUCTIONS)

CLEAN AIR SUPPLIED BY CUSTOMER. MINIMUM OF 80 PSI - MAX 120 PSI.

PUMP ISOLATION VALVE NORMALLY OPEN 2\"/>

INLET FILTER (WL011900AV)

PURGE SOLENOID VALVE NORMALLY CLOSED 1/2 INCH ELECTRICALLY ACTUATED VALVE

SOURCE VALVE (SEE NOTE 2)

SIGHT GAUGE

1/4\"/>

AIR FILTER

AIR FILTER

AIR FILTER

VAC. PUMP #1

VAC. PUMP #2

VAC. PUMP #3

TSH 1

TSH 2

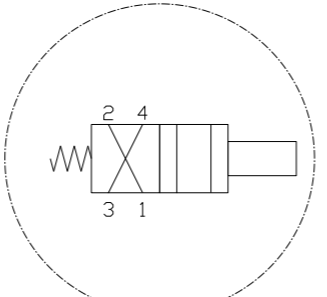
TSH 3

NOTE: A 1/4 INCH VENT PLUG IS LOCATED IN THE FILTER HOUSING.

AUTO PURGE IS OPTIONAL

LEGEND

| | | | |
|--|-----------------|--|---------------|
| | TEMP. SWITCH | | VACUUM SWITCH |
| | BUTTERFLY VALVE | | CHECK VALVE |
| | AIR FILTER | | FLEX LINE |
| | BALL VALVE | | UNION |



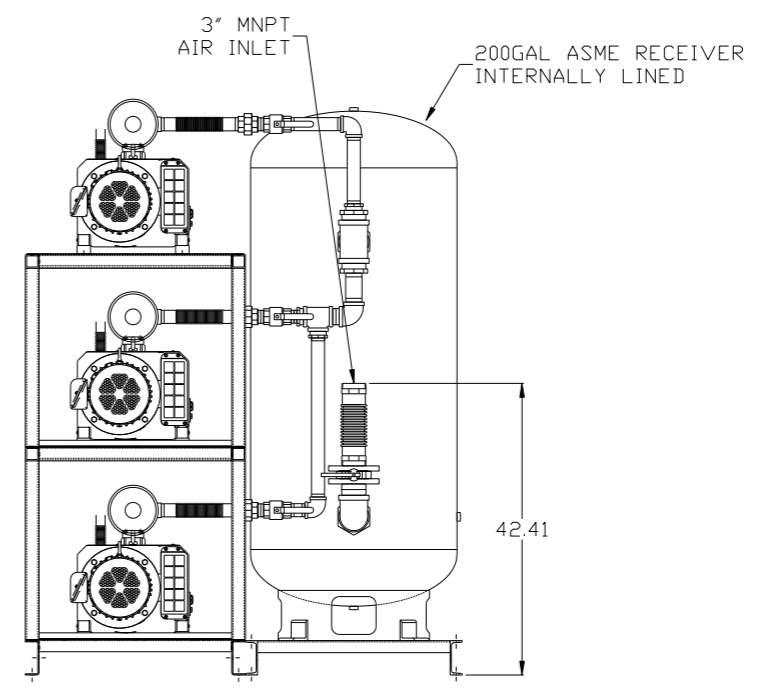
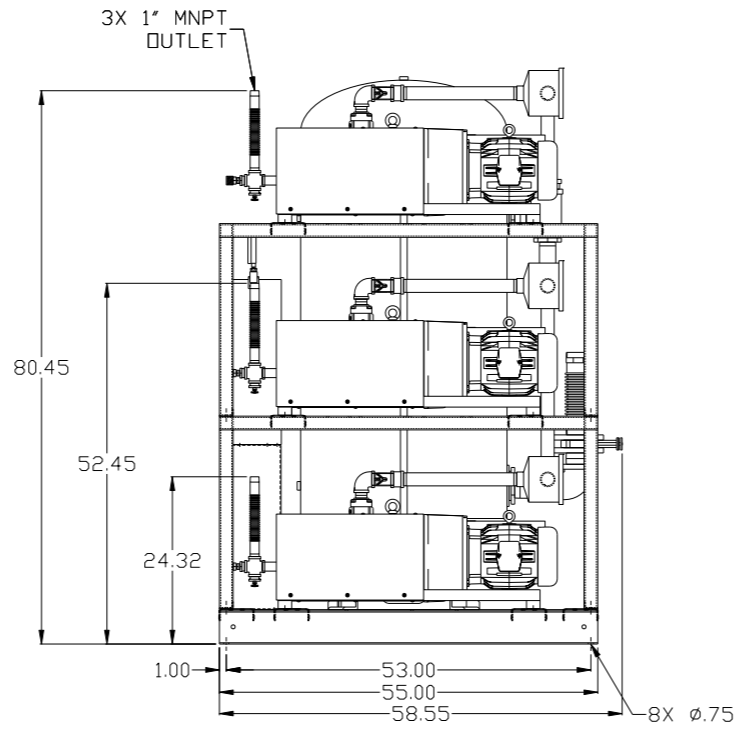
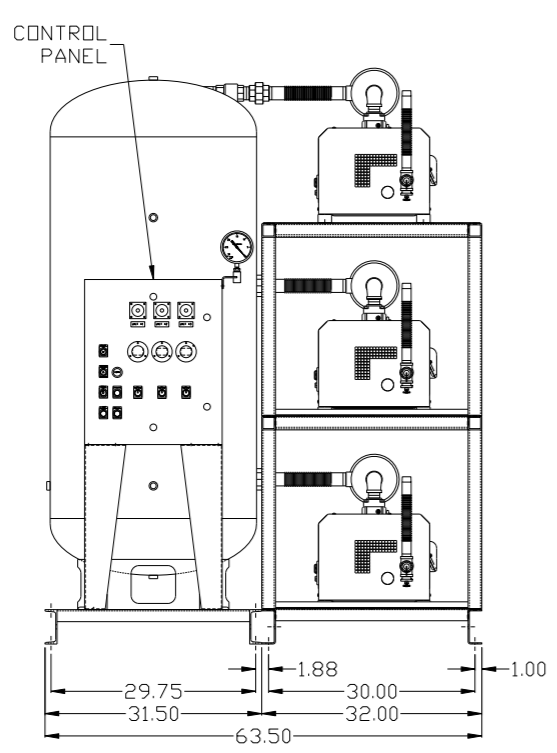
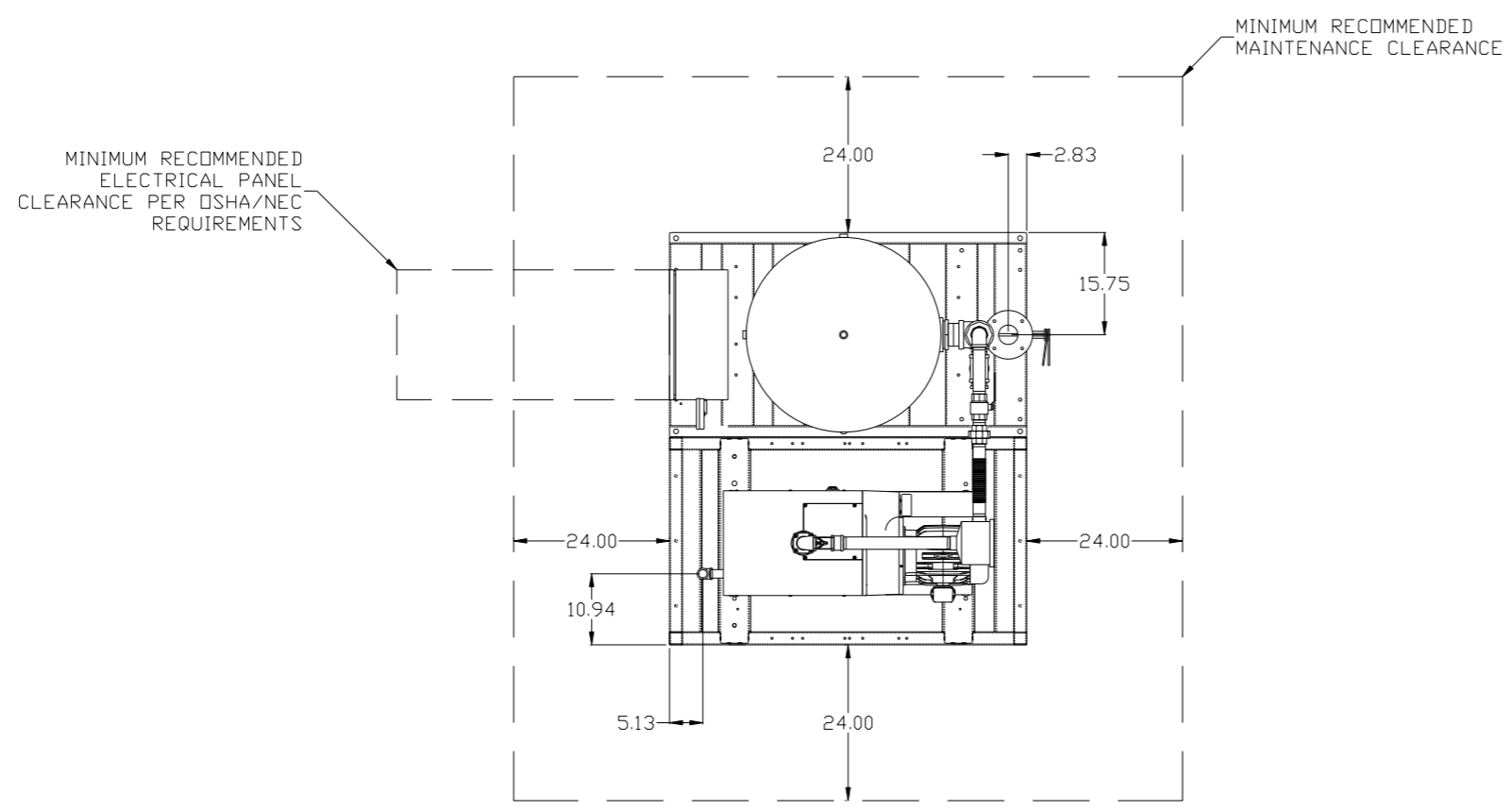
SOLENOID DETAIL:
 1) VALVE - INPUT #1
 2) MUFFLER - INPUT #2
 3) SUPPLY AIR - INPUT #4

NOTE:
 1) TSH - TEMPERATURE SWITCH HIGH
 2) PER NFPA THE SYSTEM WILL REQUIRE A SOURCE VALVE (SUPPLIED BY OTHERS).

| SYMBOL LEGEND | | AUTOCAD REL2008 LT | | DO NOT SCALE DRAWING FOR DIMENSIONS | |
|--|-------------|--|--------------------------|--|----------|
| | MINUS DRAFT | | ADDITIONAL CONTROL REQ'D | Drawings to conform to the current revision of the following ANSI standards: Y14.3 Multi and sectional view dgs. Y14.5M Dimensioning and tolerancing | |
| | PLUS DRAFT | | BRINELL HARDNESS | SCALE 1:14 | |
| TOLERANCES NOT SPECIFIED | | INCH | | Sheet 2 of 2 | |
| CONFIDENTIAL DISCLOSURE This drawing is the property of POWEREX, INC. or the SCOTT FETZER COMPANY and subject to return on demand. Its contents are confidential and must not be copied or submitted to outside parties for use or examination. | | DRAWN BY | CHECKED BY | APPROVED BY | MFG/MKTG |
| | | AEK | DMS | JBC | CT |
| MATERIAL | | 1/2/13 | 1/2/13 | 1/2/13 | 1/2/13 |
| PART NAME | | 150 PRODUCTION DRIVE, HARRISON, OHIO 45030 Ph: 888-769-7979 FAX: (513) 367-3125 | | | |
| TRIPLEX CLAW LAB VACUUM FLOW SCHEMATIC | | | | | |
| DWG NO | | LCPT0505 | | SIZE D | |

8 7 6 5 4 3 2 1

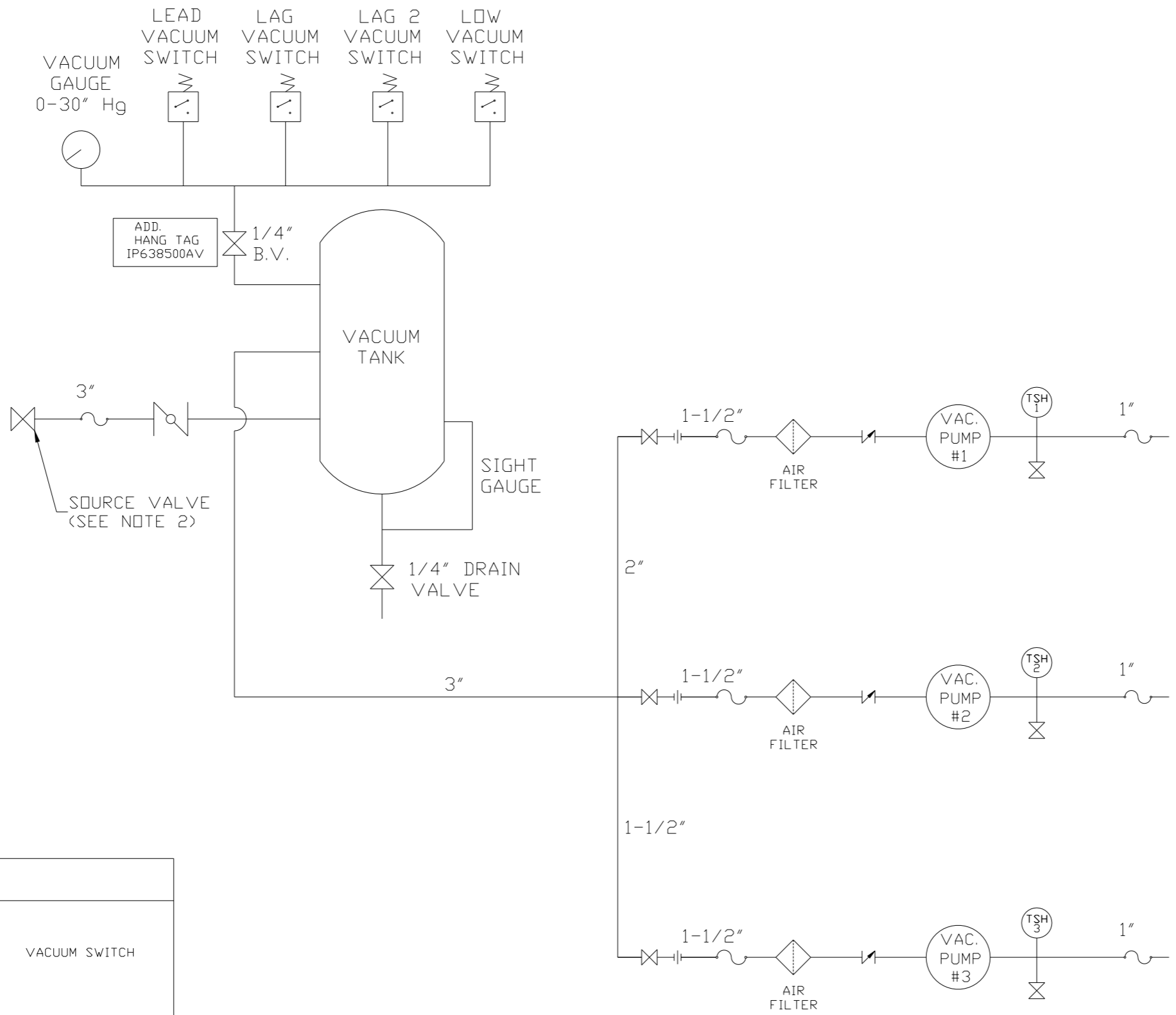
| REV | ZONE | REVISION | DATE | ECN | NAME | CHKD |
|-----|------|---------------------------------------|--------|----------|------|------|
| B-1 | ALL | RELEASE TO PRODUCTION | 1/2/13 | PXEC003 | AEK | DMS |
| C-1 | ALL | UPDATED TO PUMP WITH NEMA RATED MOTOR | 7/3/17 | PXEC0149 | AEK | KMB |



8 7 6 5 4 3 2 1

| | | | | | |
|--|--|---|--|--|--|
| SYMBOL LEGEND ⊖ = MINUS DRAFT ⊕ = PLUS DRAFT TOLERANCES NOT SPECIFIED .XX ± .XXX ± << DEG > ± | | = ADDITIONAL CONTROL REQ'D = BRINELL HARDNESS | | Drawings to conform to the current revision of the following ANSI standards: Y14.3 Multi and sectional view dsgs. Y14.5M Dimensioning and tolerancing | |
| AUTOCAD REL2008 LT INCH | | DO NOT SCALE DRAWING FOR DIMENSIONS Sheet 1 of 2 SCALE 1:14 | | CONFIDENTIAL DISCLOSURE This drawing is the property of POWEREX, INC. of the SCOTT FEITZER COMPANY and subject to return on demand. Its contents are confidential and must not be copied or submitted to outside parties for use or examination. | |
| DRAWN BY AEK | | CHECKED BY DMS | | APPROVED BY ENGINEERING MFG/MRKTG JBC CT | |
| MATERIAL N/A | | DATE 1/2/13 | | DATE 1/2/13 1/2/13 1/2/13 | |
| PART NAME 5HP LAB VACUUM 200GAL TRIPLEX | | DWG NO LCPT0505 | | SIZE D | |

| REV | ZONE | REVISION | DATE | ECN | NAME | CHKD |
|-----|------|---------------------------------------|--------|----------|------|------|
| B-1 | ALL | RELEASE TO PRODUCTION | 1/2/13 | PXEC003 | AEK | DMS |
| C-1 | ALL | UPDATED TO PUMP WITH NEMA RATED MOTOR | 7/3/17 | PXEC0149 | AEK | KMB |



NOTE:
A 1/4 INCH VENT PLUG IS
LOCATED IN THE FILTER HOUSING.

NOTE:
1) TSH - TEMPERATURE SWITCH HIGH
2) PER NFPA THE SYSTEM WILL REQUIRE A SOURCE VALVE (SUPPLIED BY OTHERS).

LEGEND

| | | | |
|--|-----------------|--|---------------|
| | TEMP. SWITCH | | VACUUM SWITCH |
| | BUTTERFLY VALVE | | CHECK VALVE |
| | AIR FILTER | | FLEX LINE |
| | BALL VALVE | | UNION |

| | | | | |
|--|-------------|-------------------------|--------------------------|--|
| SYMBOL LEGEND | | | ADDITIONAL CONTROL REQ'D | Drawings to conform to the current revision of the following ANSI standards: |
| | MINUS DRAFT | | BRINELL HARDNESS | Y14.3 Multi and sectional view dgs. Y14.5M Dimensioning and tolerancing |
| TOLERANCES NOT SPECIFIED | | AUTOCAD REL2008 LT | | DO NOT SCALE DRAWING FOR DIMENSIONS |
| .XX ± | | INCH | | SCALE 1:14 |
| .XXX ± | | | | |
| <<DEG> ± | | | | |
| CONFIDENTIAL DISCLOSURE This drawing is the property of POWEREX, INC. of the SCOTT FETZER COMPANY and subject to return on demand. Its contents are confidential and must not be copied or submitted to outside parties for use or examination. | | | | |
| DRAWN BY | | CHECKED BY | APPROVED BY | MFG/MKTG |
| AEK | | DMS | JBC | CT |
| 1/2/13 | | 1/2/13 | 1/2/13 | 1/2/13 |
| MATERIAL | | N/A | | |
| PART NAME | | TRIPLEX CLAW LAB VACUUM | | |
| FLOW SCHEMATIC | | DWG NO LCPT0505 | | |
| | | SIZE D | | |