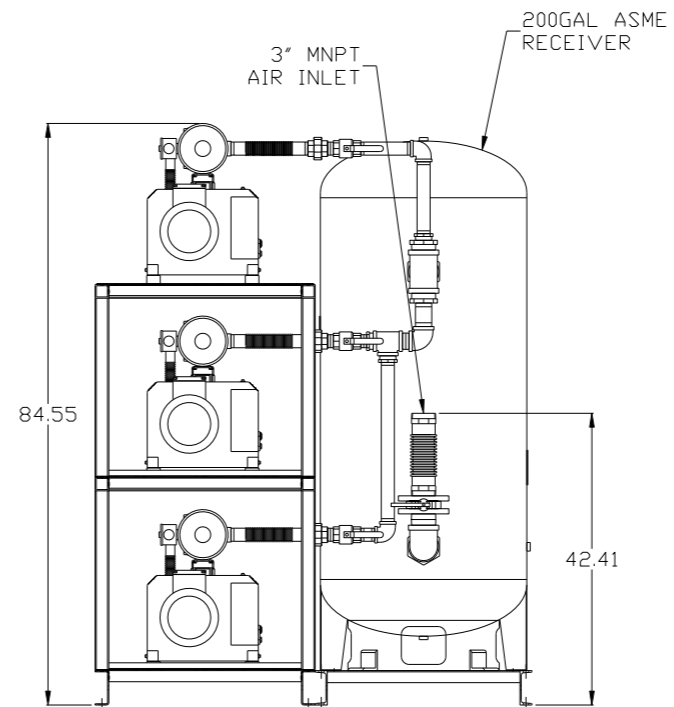
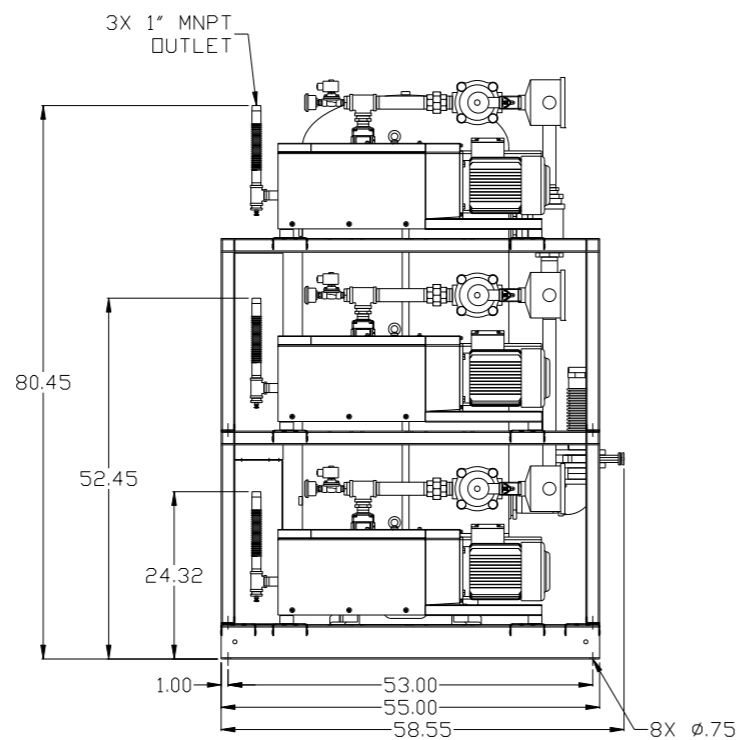
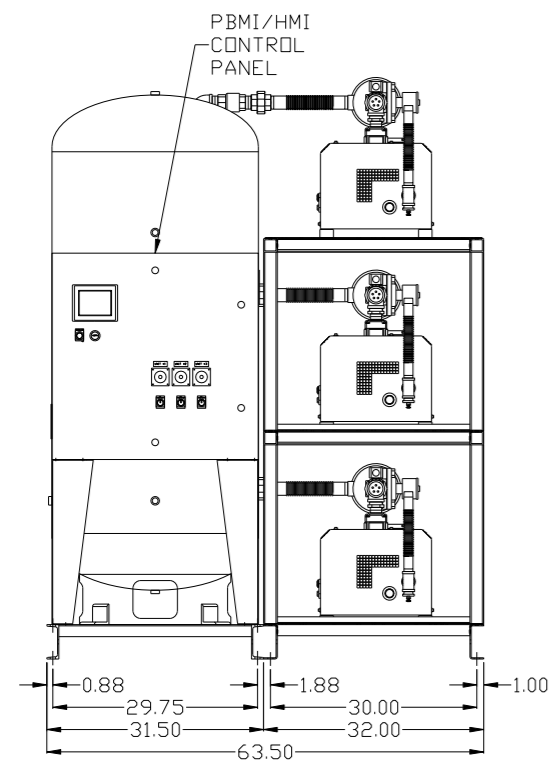
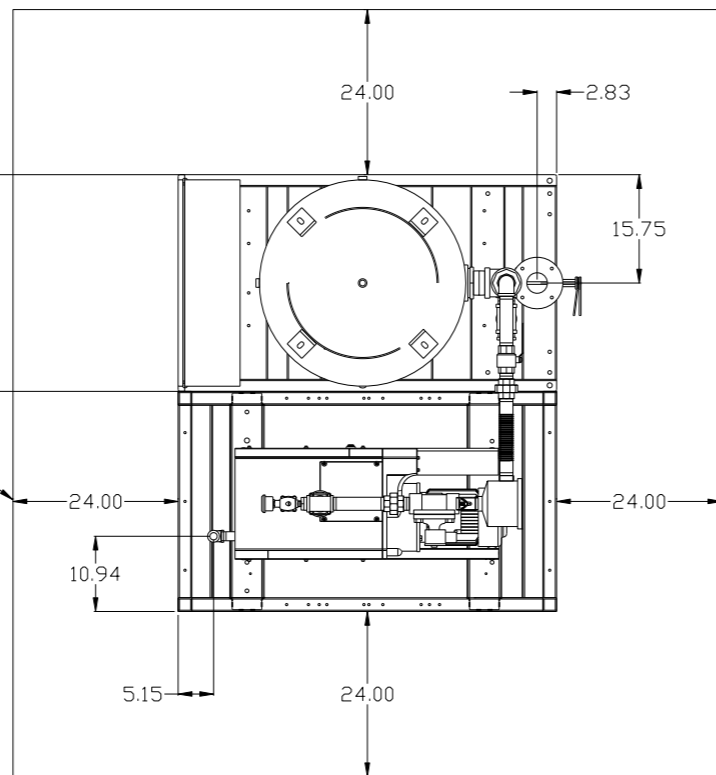


REV	ZONE	REVISION	DATE	ECN	NAME	CHKD
B-1	ALL	RELEASE TO PRODUCTION	1/2/13	PREC003	AEK	DMS

MINIMUM RECOMMENDED ELECTRICAL PANEL CLEARANCE PER OSHA/ NEC

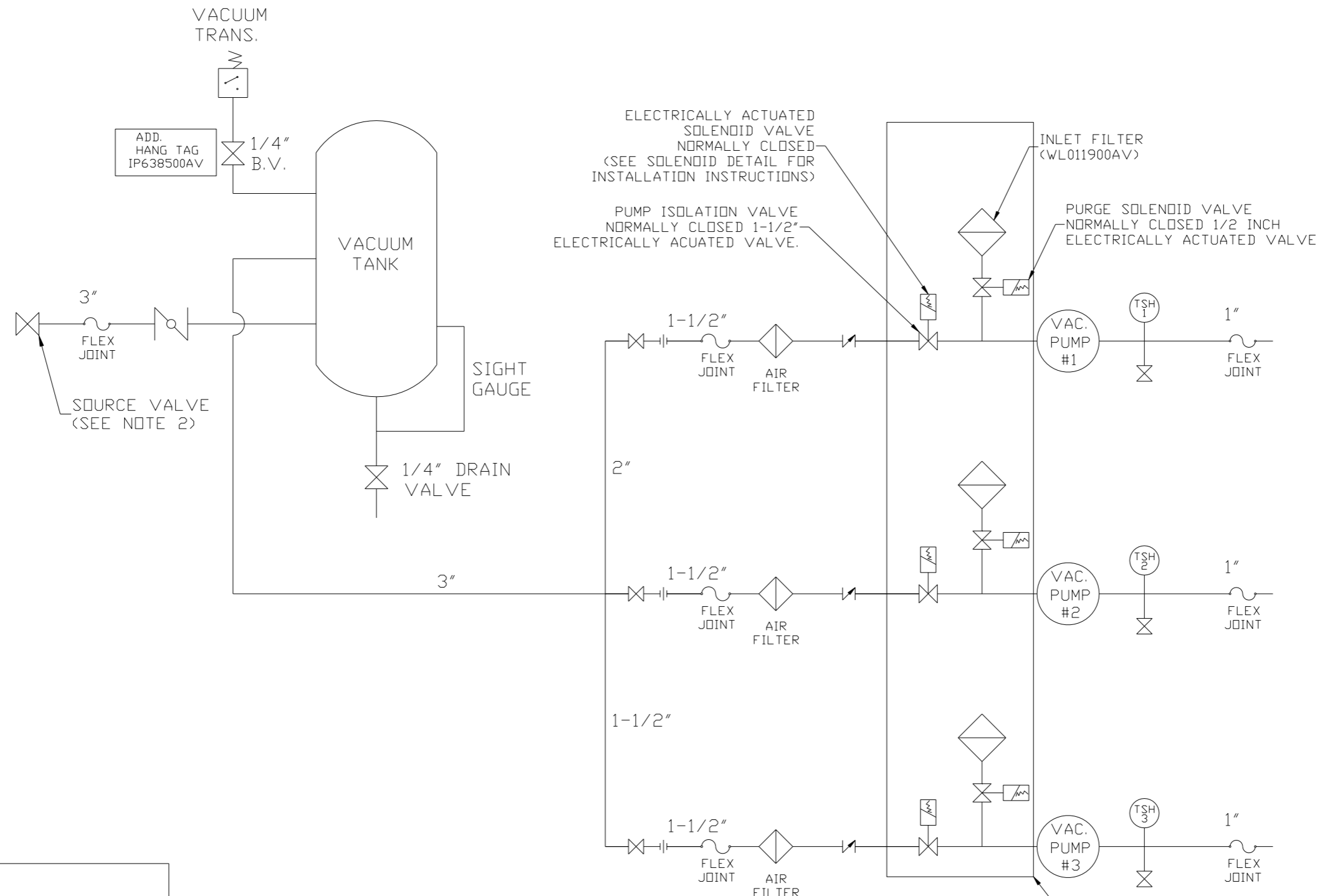
MINIMUM RECOMMENDED MAINTENANCE CLEARANCE



NOTE: AUTO PURGE IS OPTIONAL.

SYMBOL LEGEND ⊖ = MINUS DRAFT ⊕ = PLUS DRAFT TOLERANCES NOT SPECIFIED .XX ± .XXX ± \angle (DEG) ±		= ADDITIONAL CONTROL REQ'D = BRINELL HARDNESS		Drawings to conform to the current revision of the following ANSI standards: Y14.3 Multi and sectional view dgs. Y14.5M Dimensioning and tolerancing
AUTOCAD REL2008 LT INCH		DO NOT SCALE DRAWING FOR DIMENSIONS Sheet 1 of 2 SCALE 1:14		
CONFIDENTIAL DISCLOSURE This drawing is the property of POWEREX, INC. of the SCOTT FEITZER COMPANY and subject to return on demand. Its contents are confidential and must not be copied or submitted to outside parties for use or examination.				
DRAWN BY AEK	CHECKED BY DMS	APPROVED BY JBC	MFG/MRKTG CT	
1/2/13	1/2/13	1/2/13	1/2/13	
MATERIAL N/A		POWEREX 150 PRODUCTION DRIVE, HARRISON, OHIO 45030 Ph: 888-769-7979 FAX: (513) 367-3125		
PART NAME 6. 4HP LAB VACUUM 200GAL TRIPLEX		DWG NO LCPT0605	SIZE D	

REV	ZONE	REVISION	DATE	ECN	NAME	CHKD
B-1	ALL	RELEASE TO PRODUCTION	1/2/13	PHC0003	AEK	DMS



ELECTRICALLY ACTUATED SOLENOID VALVE NORMALLY CLOSED (SEE SOLENOID DETAIL FOR INSTALLATION INSTRUCTIONS)

PUMP ISOLATION VALVE NORMALLY CLOSED 1-1/2\"/>

NOTE:
A 1/4 INCH VENT PLUG IS LOCATED IN THE FILTER HOUSING.

AUTO PURGE IS OPTIONAL

LEGEND

	TEMP. SWITCH		VACUUM SWITCH
	BUTTERFLY VALVE		CHECK VALVE
	AIR FILTER		FLEX LINE
	BALL VALVE		UNION

NOTE:
1) TSH - TEMPERATURE SWITCH HIGH
2) PER NFPA THE SYSTEM WILL REQUIRE A SOURCE VALVE (SUPPLIED BY OTHERS).

SYMBOL LEGEND			= ADDITIONAL CONTROL REQ'D	Drawings to conform to the current revision of the following ANSI standards: Y14.3 Multi and sectional view dgs. Y14.5M Dimensioning and tolerancing
	= MINUS DRAFT		= BRINELL HARDNESS	
TOLERANCES NOT SPECIFIED		AUTOCAD REL2008 LT		DO NOT SCALE DRAWING FOR DIMENSIONS
.XX ±		INCH		SCALE 1:14
.XXX ±		Sheet 2 of 2		
<Z(DEG) ±				
CONFIDENTIAL DISCLOSURE This drawing is the property of POWEREX, INC. of the SCOTT FITZGER COMPANY and subject to return on demand. Its contents are confidential and must not be copied or submitted to outside parties for use or examination.				
DRAWN BY	CHECKED BY	APPROVED BY	DATE	
AEK	DMS	JBC	CT	
12/19/12	1/2/13	1/2/13	1/2/13	
MATERIAL		N/A		
PART NAME		TRIPLEX CLAW LAB VACUUM FLOW SCHEMATIC		
DWG NO		LCPT0605		
SIZE		D		

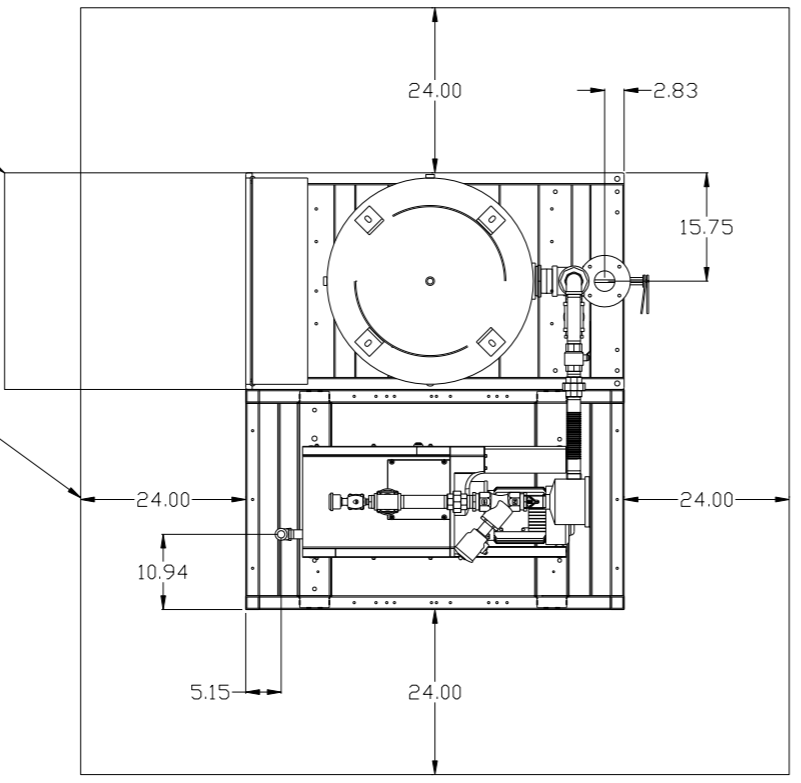
8 7 6 5 4 3 2 1

8 7 6 5 4 3 2 1

REV	ZONE	REVISION	DATE	ECN	NAME	CHKD
B-1	ALL	RELEASE TO PRODUCTION	1/2/13	PRE0003	AEK	DMS

MINIMUM RECOMMENDED ELECTRICAL PANEL CLEARANCE PER OSHA/ NEC

MINIMUM RECOMMENDED MAINTENANCE CLEARANCE

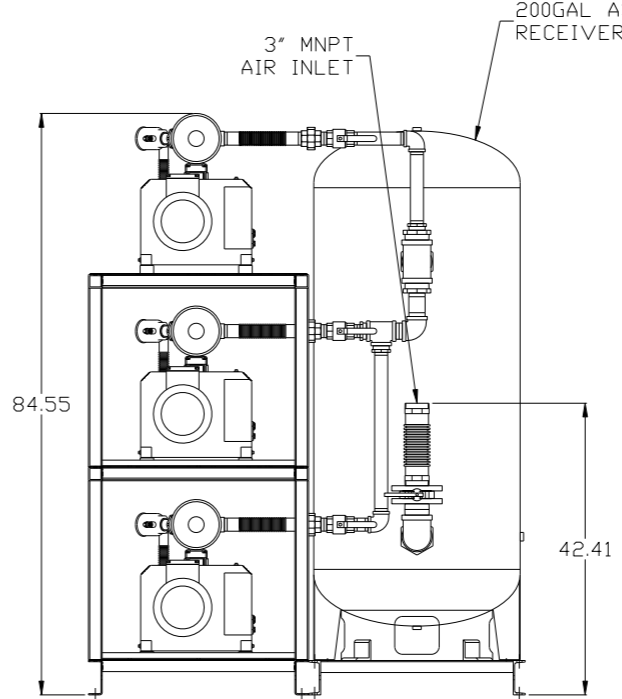
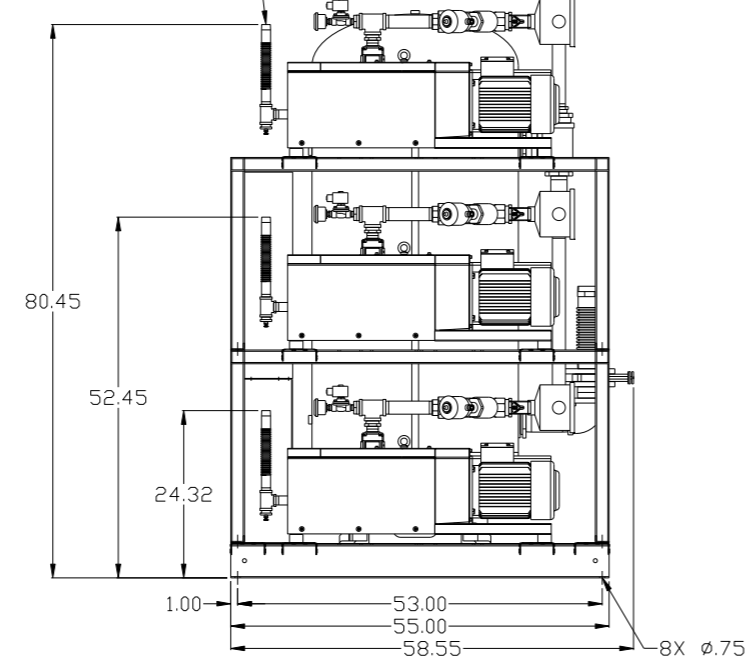
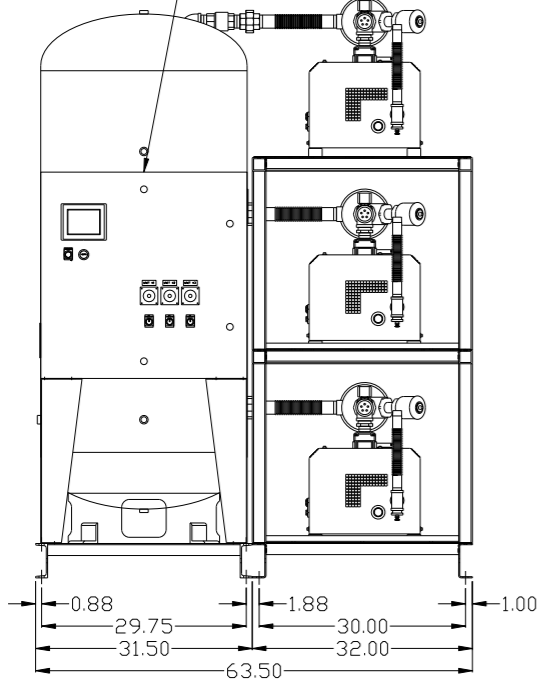


PBMI/HMI CONTROL PANEL

3X 1" MNPT OUTLET

3" MNPT AIR INLET

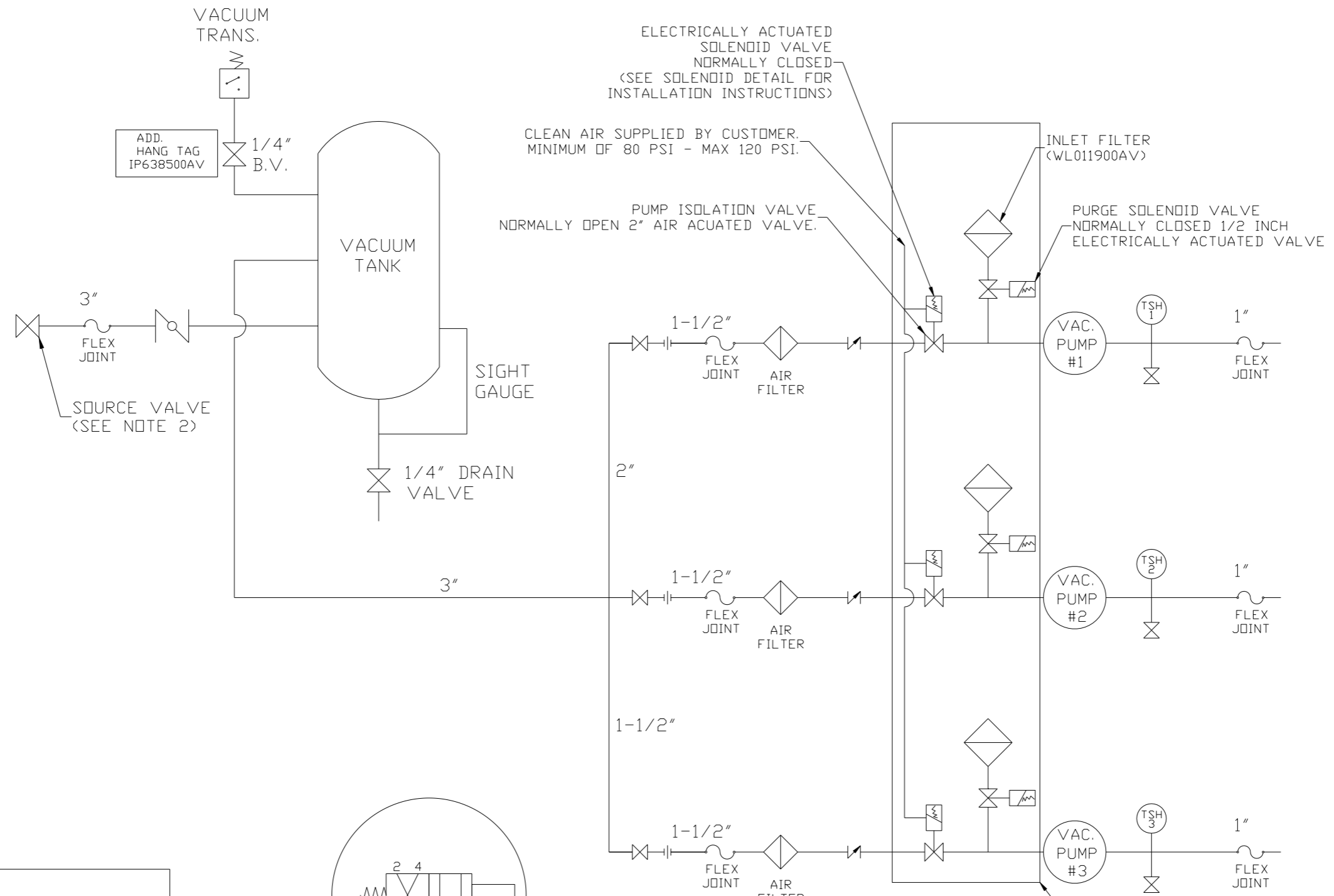
200GAL ASME RECEIVER



NOTE: AUTO PURGE IS OPTIONAL.

SYMBOL LEGEND ⊖ = MINUS DRAFT ⊕ = PLUS DRAFT \angle (DEG) ±		= ADDITIONAL CONTROL REQ'D = BRINELL HARDNESS		Drawings to conform to the current revision of the following ANSI standards: Y14.3 Multi and sectional view dsgs. Y14.5M Dimensioning and tolerancing	
TOLERANCES NOT SPECIFIED .XX ± .XXX ± \angle (DEG) ±		AUTOCAD REL2008 LT INCH		DO NOT SCALE DRAWING FOR DIMENSIONS Sheet 1 of 2 SCALE 1:14	
CONFIDENTIAL DISCLOSURE This drawing is the property of POWEREX, INC. of the SCOTT FELTZER COMPANY and subject to return on demand. Its contents are confidential and must not be copied or submitted to outside parties for use or examination.					
DRAWN BY AEK		CHECKED BY DMS		APPROVED BY ENGINEERING MFG/MRKTG JBC CT	
MATERIAL N/A		DATE 1/2/13		DATE 1/2/13	
PART NAME 6. 4HP LAB VACUUM 200GAL TRIPLEX		DWG NO LCPT0605		SIZE D	

REV	ZONE	REVISION	DATE	ECN	NAME	CHKD
B-1	ALL	RELEASE TO PRODUCTION	1/2/13	PREC003	AEK	DMS



ELECTRICALLY ACTUATED SOLENOID VALVE NORMALLY CLOSED (SEE SOLENOID DETAIL FOR INSTALLATION INSTRUCTIONS)

CLEAN AIR SUPPLIED BY CUSTOMER. MINIMUM OF 80 PSI - MAX 120 PSI.

PUMP ISOLATION VALVE NORMALLY OPEN 2\"/>

INLET FILTER (WL011900AV)

PURGE SOLENOID VALVE NORMALLY CLOSED 1/2 INCH ELECTRICALLY ACTUATED VALVE

ADD. HANG TAG IP638500AV

VACUUM TRANS.

VACUUM TANK

SIGHT GAUGE

1/4\"/>

SOURCE VALVE (SEE NOTE 2)

3\"/>

FLEX JOINT

1-1/2\"/>

FLEX JOINT

AIR FILTER

TSH 1

VAC. PUMP #1

1\"/>

FLEX JOINT

2\"/>

1-1/2\"/>

FLEX JOINT

AIR FILTER

TSH 2

VAC. PUMP #2

1\"/>

FLEX JOINT

1-1/2\"/>

1-1/2\"/>

FLEX JOINT

AIR FILTER

TSH 3

VAC. PUMP #3

1\"/>

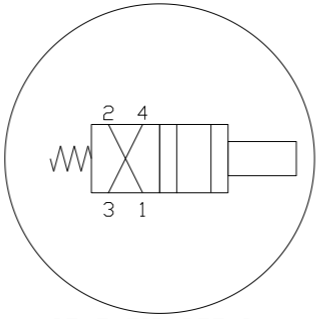
FLEX JOINT

AUTO PURGE IS OPTIONAL

NOTE: A 1/4 INCH VENT PLUG IS LOCATED IN THE FILTER HOUSING.

LEGEND

	TEMP. SWITCH		VACUUM SWITCH
	BUTTERFLY VALVE		CHECK VALVE
	AIR FILTER		FLEX LINE
	BALL VALVE		UNION



SOLENOID DETAIL:
 1) VALVE - INPUT #1
 2) MUFFLER - INPUT #2
 3) SUPPLY AIR - INPUT #4

NOTE:
 1) TSH - TEMPERATURE SWITCH HIGH
 2) PER NFPA THE SYSTEM WILL REQUIRE A SOURCE VALVE (SUPPLIED BY OTHERS).

SYMBOL LEGEND			ADDITIONAL CONTROL REQ'D	Drawings to conform to the current revision of the following ANSI standards
	MINUS DRAFT		BRINELL HARDNESS	Y14.3 Multi and sectional view dsgs. Y14.5M Dimensioning and tolerancing
TOLERANCES NOT SPECIFIED		AUTOCAD REL2008 LT		DO NOT SCALE DRAWING FOR DIMENSIONS
.XX ±	.XXX ±	INCH		SCALE 1:14
CONFIDENTIAL DISCLOSURE This drawing is the property of POWEREX, INC. of the SCOTT FETZER COMPANY and subject to return on demand. Its contents are confidential and must not be copied or submitted to outside parties for use or examination.				
DRAWN BY	CHECKED BY	APPROVED BY	MFG/MRKTG	
AEK	DMS	JBC	CT	
12/19/12	1/2/13	1/2/13	1/2/13	
MATERIAL		N/A		
PART NAME		TRIPLEX CLAW LAB VACUUM		
DWG NO		LCPT0605		
SIZE		D		

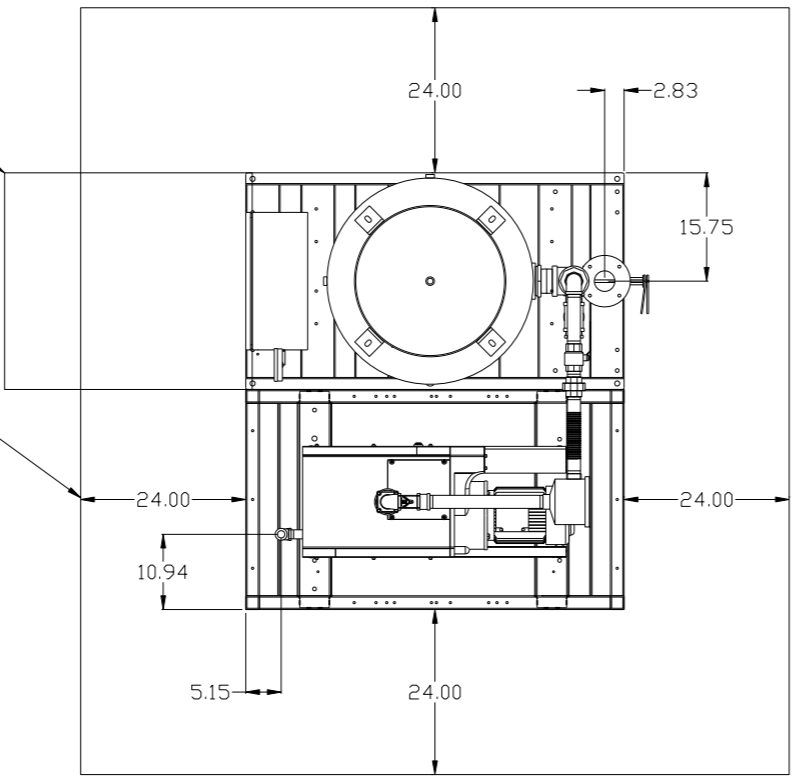
8 | 7 | 6 | 5 | 4 | 3 | 2 | 1

8 | 7 | 6 | 5 | 4 | 3 | 2 | 1

REV	ZONE	REVISION	DATE	ECN	NAME	CHKD
B-1	ALL	RELEASE TO PRODUCTION	1/2/13	PRE0003	AEK	DMS

MINIMUM RECOMMENDED ELECTRICAL PANEL CLEARANCE PER OSHA/ NEC

MINIMUM RECOMMENDED MAINTENANCE CLEARANCE

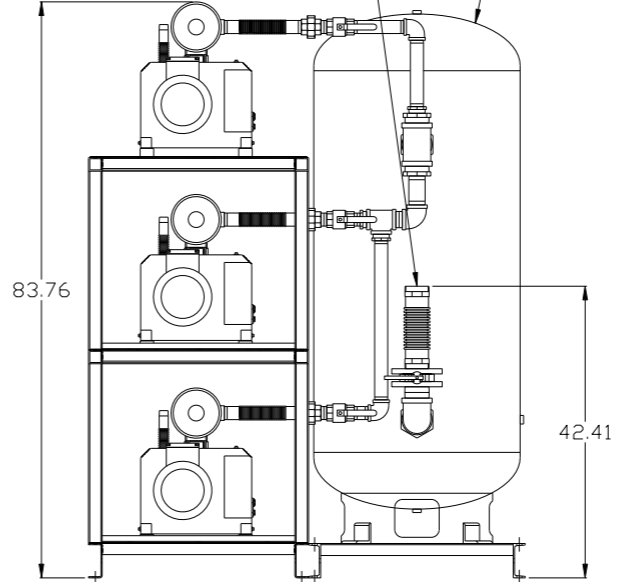
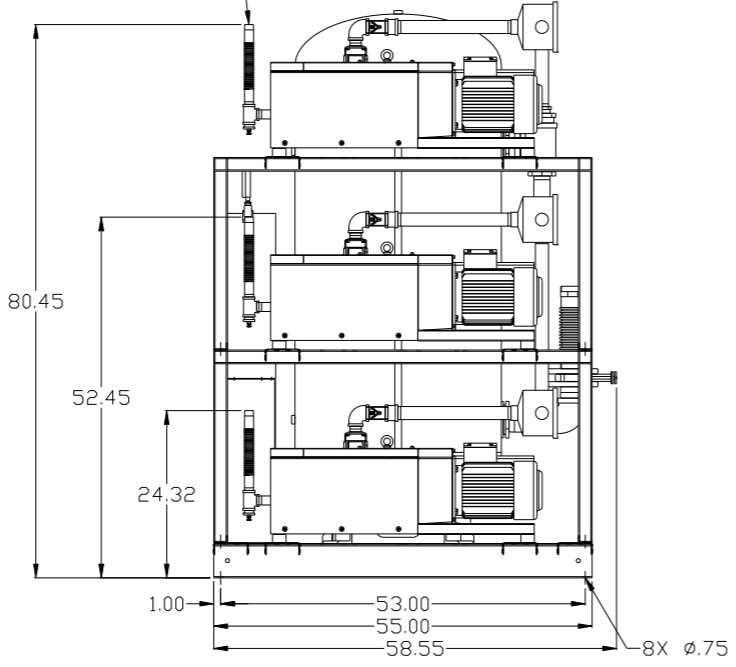
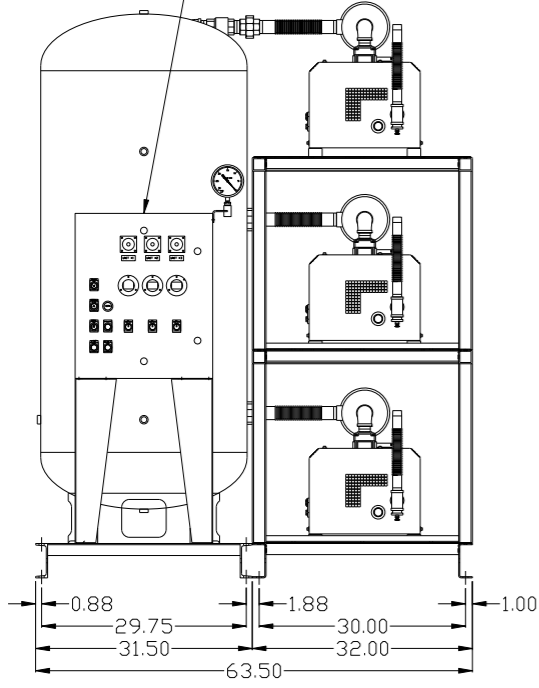


BASIC CONTROL PANEL

3X 1" MNPT OUTLET

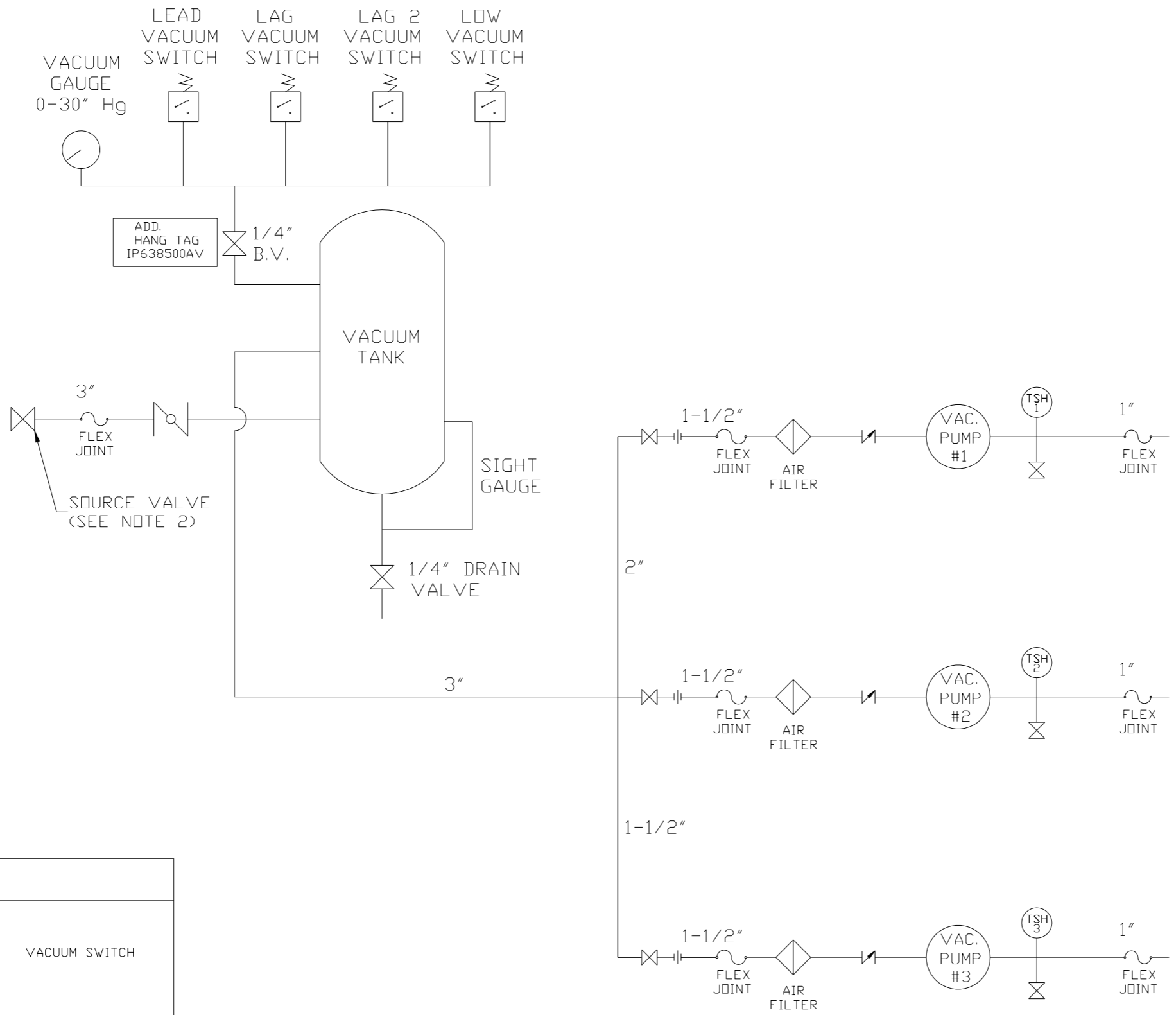
3" MNPT AIR INLET

200GAL ASME RECEIVER



SYMBOL LEGEND ⊖ = MINUS DRAFT ⊕ = PLUS DRAFT Ⓢ = ADDITIONAL CONTROL REQ'D Ⓢ = BRINELL HARDNESS		Drawings to conform to the current revision of the following ANSI standards: Y14.3 Multi and sectional view dgs. Y14.5M Dimensioning and tolerancing	
TOLERANCES NOT SPECIFIED .XX ± .XXX ± \angle(DEG) ±		DO NOT SCALE DRAWING FOR DIMENSIONS SCALE: 1:14	
CONFIDENTIAL DISCLOSURE This drawing is the property of POWEREX, INC. of the SCOTT FELTZER COMPANY and subject to return on demand. Its contents are confidential and must not be copied or submitted to outside parties for use or examination.		AUTOCAD REL2008 LT Sheet 1 of 2	
DRAWN BY: AEK CHECKED BY: DMS 1/2/13		APPROVED BY: JBC, CT 1/2/13, 1/2/13	
MATERIAL: N/A		PART NAME: 6. 4HP LAB VACUUM 200GAL TRIPLEX	
DWG NO: LCPT0605		SIZE: D	

REV	ZONE	REVISION	DATE	ECN	NAME	CHKD
B-1	ALL	RELEASE TO PRODUCTION	1/2/13	PREC003	AEK	DMS



LEGEND

	TEMP. SWITCH		VACUUM SWITCH
	BUTTERFLY VALVE		CHECK VALVE
	AIR FILTER		FLEX LINE
	BALL VALVE		UNION

NOTE:
 1) TSH - TEMPERATURE SWITCH HIGH
 2) PER NFPA THE SYSTEM WILL REQUIRE A SOURCE VALVE (SUPPLIED BY OTHERS).

NOTE:
 A 1/4 INCH VENT PLUG IS LOCATED IN THE FILTER HOUSING.

SYMBOL LEGEND			ADDITIONAL CONTROL REQ'D	Drawings to conform to the current revision of the following ANSI standards:
	MINUS DRAFT		BRINELL HARDNESS	Y14.3 Multi and sectional view dgs. Y14.5M Dimensioning and tolerancing
TOLERANCES NOT SPECIFIED		AUTOCAD REL2008 LT		DO NOT SCALE DRAWING FOR DIMENSIONS
.XX ±	.XXX ±	INCH		Sheet 2 of 2
CONFIDENTIAL DISCLOSURE		This drawing is the property of POWEREX, INC. of the SCOTT FETZER COMPANY and subject to return on demand. Its contents are confidential and must not be copied or submitted to outside parties for use or examination.		
DRAWN BY		CHECKED BY	APPROVED BY	MFG/MKTG
AEK		DMS	JBC	CT
12/19/12		1/2/13	1/2/13	1/2/13
MATERIAL		N/A		
PART NAME		TRIPLEX CLAW LAB VACUUM		
FLOW SCHEMATIC		DWG NO. LCPT0605		
SIZE		D		