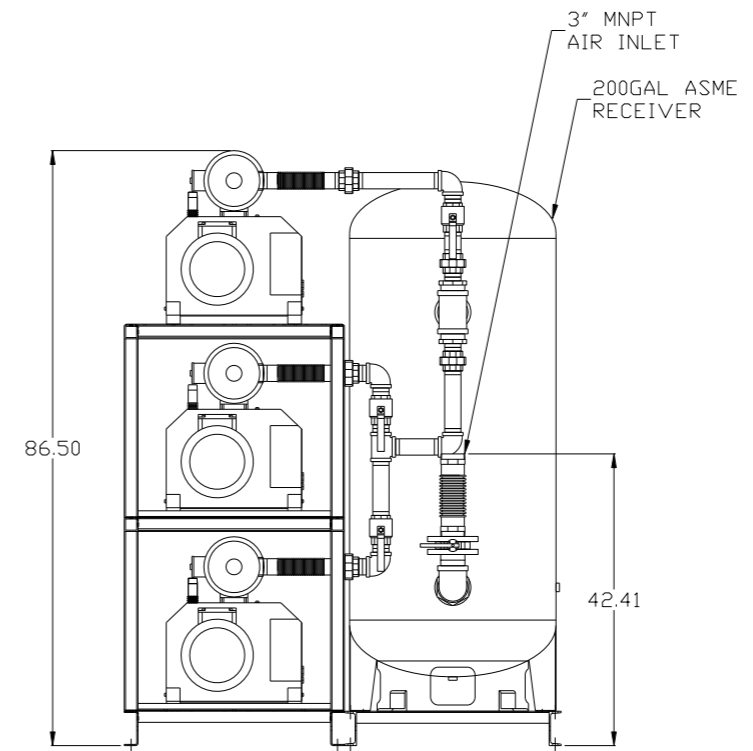
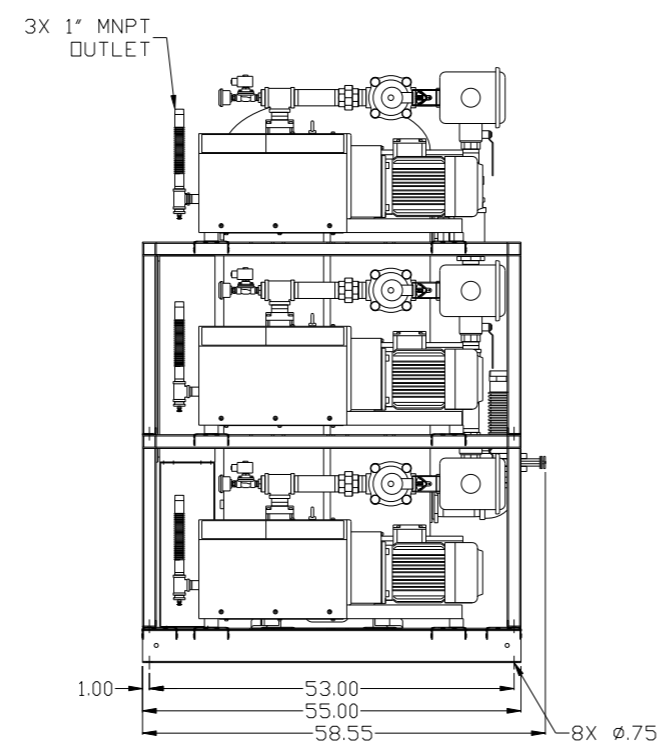
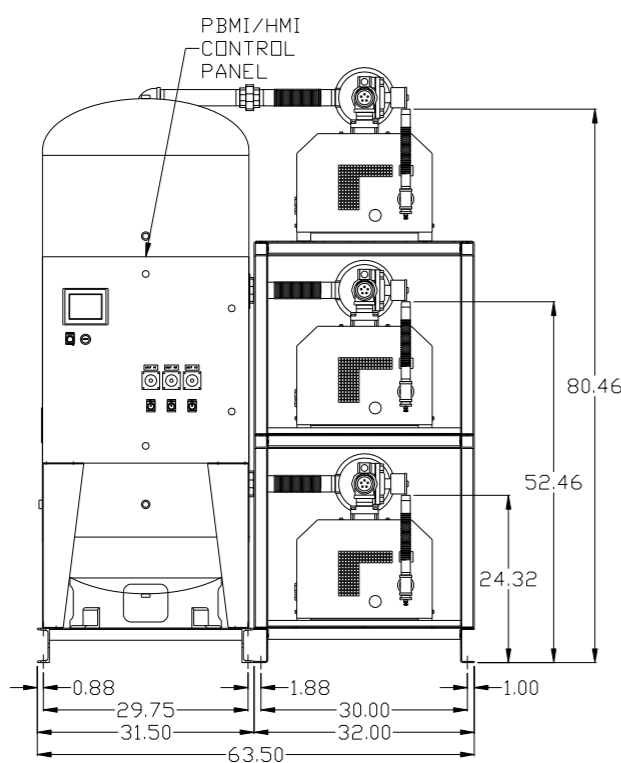
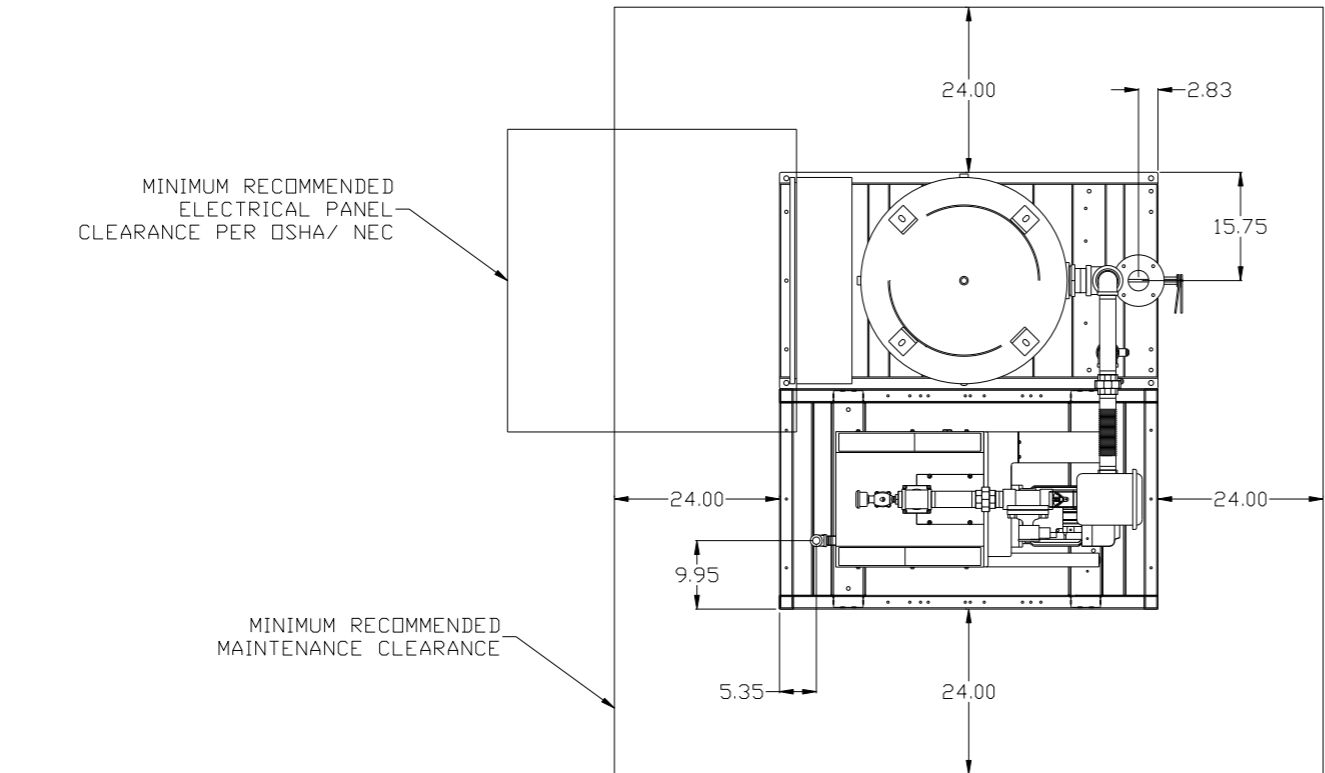


REV	ZONE	REVISION	DATE	ECN	NAME	CHKD
B-1	ALL	RELEASE TO PRODUCTION	1/2/13	PHC0003	BFH	DMS

MINIMUM RECOMMENDED ELECTRICAL PANEL CLEARANCE PER OSHA/ NEC

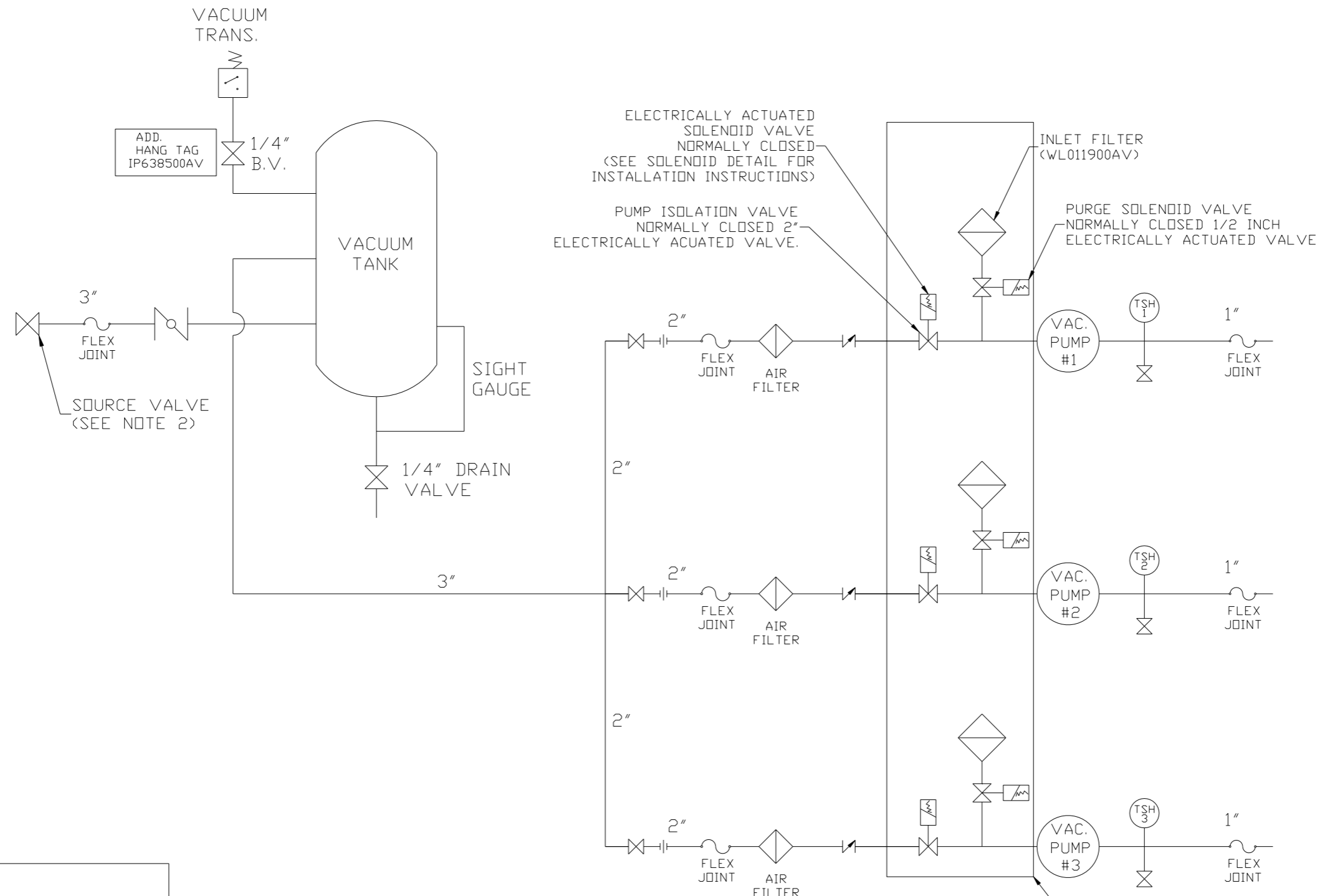
MINIMUM RECOMMENDED MAINTENANCE CLEARANCE



NOTE: AUTO PURGE IS OPTIONAL.

SYMBOL LEGEND ⊖ = MINUS DRAFT ⊕ = PLUS DRAFT ∅ = ADDITIONAL CONTROL REQ'D HRC = BRINELL HARDNESS		Drawings to conform to the current revision of the following ANSI standards: Y14.3 Multi and sectional view dgs. Y14.5M Dimensioning and tolerancing	
TOLERANCES NOT SPECIFIED .XX ± .XXX ± \angle (DEG) ±		DO NOT SCALE DRAWING FOR DIMENSIONS SCALE: 1:14	
CONFIDENTIAL DISCLOSURE This drawing is the property of POWEREX, INC. of the SCOTT FEITZER COMPANY and subject to return on demand. Its contents are confidential and must not be copied or submitted to outside parties for use or examination.		AUTOCAD REL2008 LT Sheet 1 of 2	
DRAWN BY BFH	CHECKED BY DMS	APPROVED BY JBC	MFG/MRKTG CT
MATERIAL N/A		DATE 12/04/12 1/2/13 1/2/13 1/2/13	
PART NAME 9. 1HP LAB VACUUM 200G TRIPLEX		SIZE LCPT0905	

REV	ZONE	REVISION	DATE	ECN	NAME	CHKD
B-1	ALL	RELEASE TO PRODUCTION	1/2/13	PHC0003	BFH	DMS



ELECTRICALLY ACTUATED SOLENOID VALVE NORMALLY CLOSED (SEE SOLENOID DETAIL FOR INSTALLATION INSTRUCTIONS)

PUMP ISOLATION VALVE NORMALLY CLOSED 2\"/>

INLET FILTER (WL011900AV)

PURGE SOLENOID VALVE NORMALLY CLOSED 1/2 INCH ELECTRICALLY ACTUATED VALVE

NOTE:
A 1/4 INCH VENT PLUG IS LOCATED IN THE FILTER HOUSING.

AUTO PURGE IS OPTIONAL

LEGEND

	TEMP. SWITCH		VACUUM SWITCH
	BUTTERFLY VALVE		CHECK VALVE
	AIR FILTER		FLEX LINE
	BALL VALVE		UNION

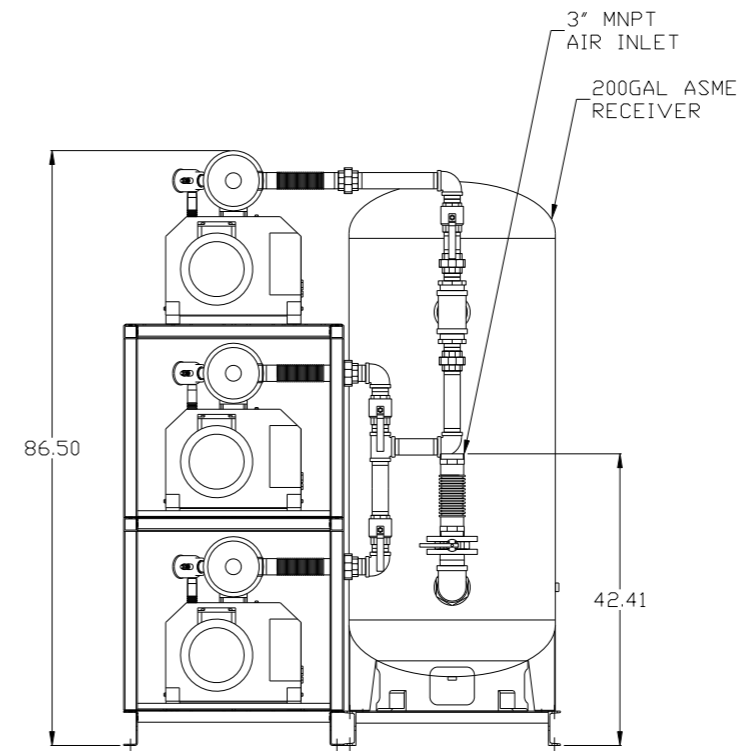
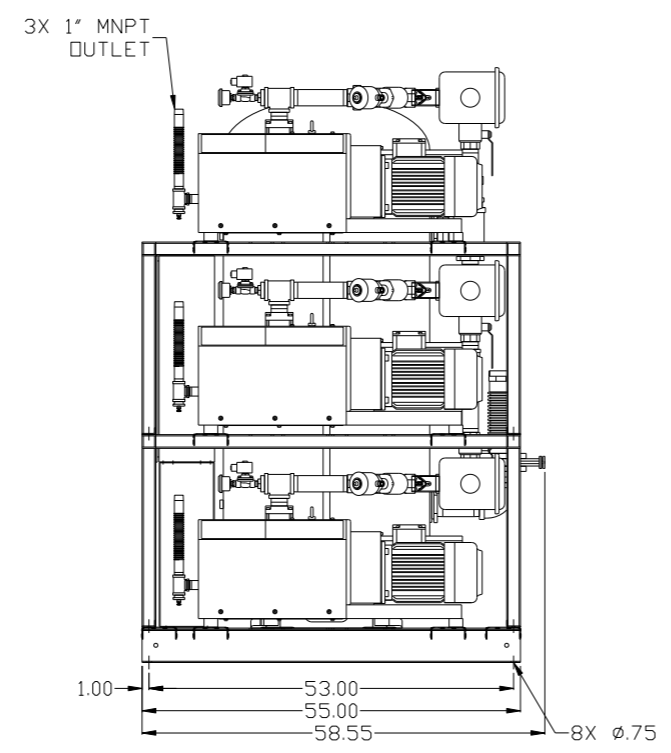
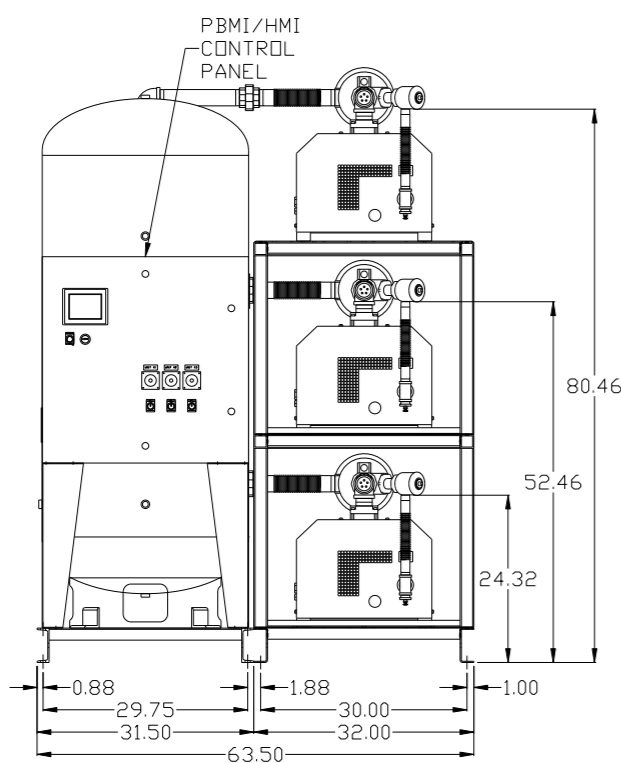
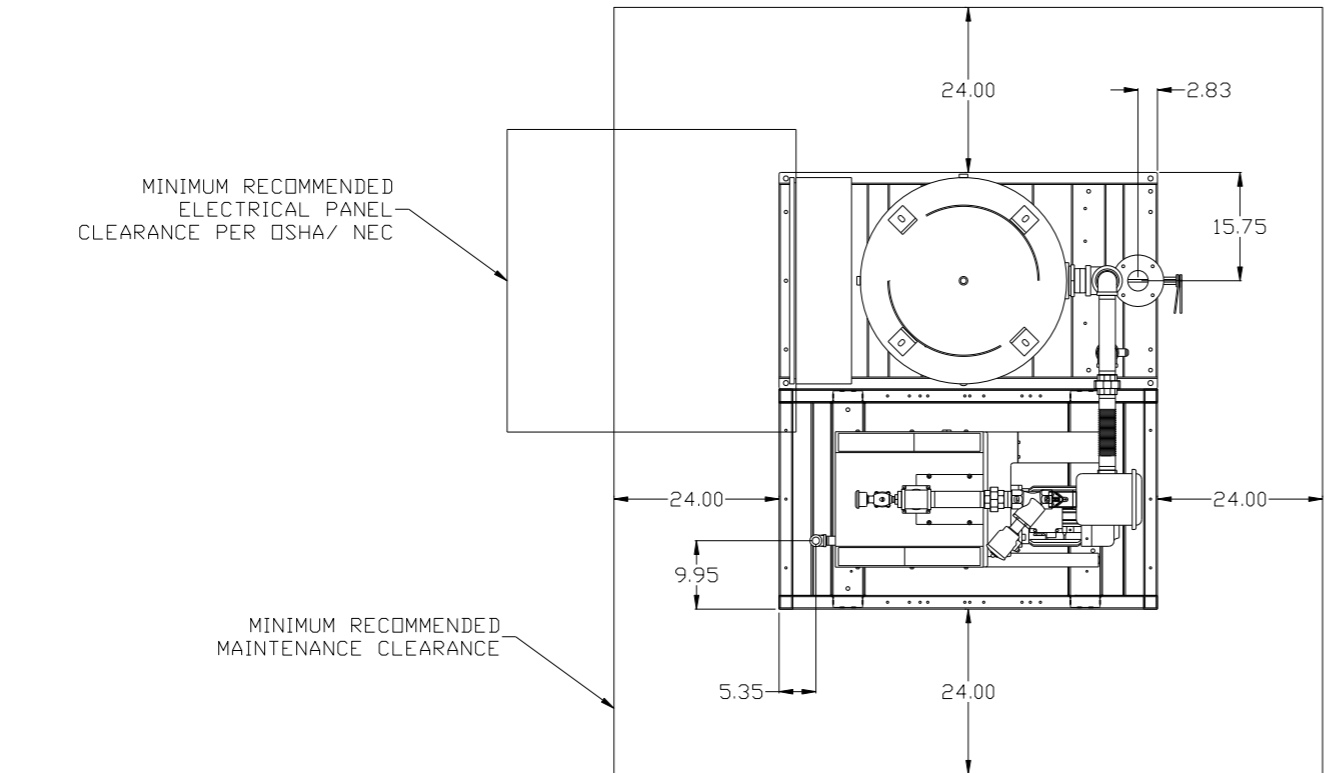
NOTE:
1) TSH - TEMPERATURE SWITCH HIGH
2) PER NFPA THE SYSTEM WILL REQUIRE A SOURCE VALVE (SUPPLIED BY OTHERS).

SYMBOL LEGEND		= ADDITIONAL CONTROL REQ'D		Drawings to conform to the current revision of the following ANSI standards:	
⊖ = MINUS DRAFT		= BRINELL HARDNESS		Y14.3 Multi- and sectional view dgs.	
⊕ = PLUS DRAFT				Y14.5M Dimensioning and tolerancing	
TOLERANCES NOT SPECIFIED		AUTOCAD REL2008 LT		DO NOT SCALE DRAWING FOR DIMENSIONS	
.XX ±		INCH		SCALE 1:14	
.XXX ±				Sheet 2 of 2	
<Z< DEG > ±					
CONFIDENTIAL DISCLOSURE					
This drawing is the property of POWEREX, INC. of the SCOTT FITZGER COMPANY and subject to return on demand. Its contents are confidential and must not be copied or submitted to outside parties for use or examination.					
DRAWN BY		CHECKED BY		APPROVED BY	
BFH		DMS		JBC CT	
12/05/12		1/2/13		1/2/13 1/2/13	
MATERIAL N/A					
PART NAME					
TRIPLEX CLAW LAB VAC					
FLOW SCHEMATIC					
DWG NO				SIZE	
LCPT0905				D	

REV	ZONE	REVISION	DATE	ECN	NAME	CHKD
B-1	ALL	RELEASE TO PRODUCTION	1/2/13	PRE0003	BFH	DMS

MINIMUM RECOMMENDED ELECTRICAL PANEL CLEARANCE PER OSHA/ NEC

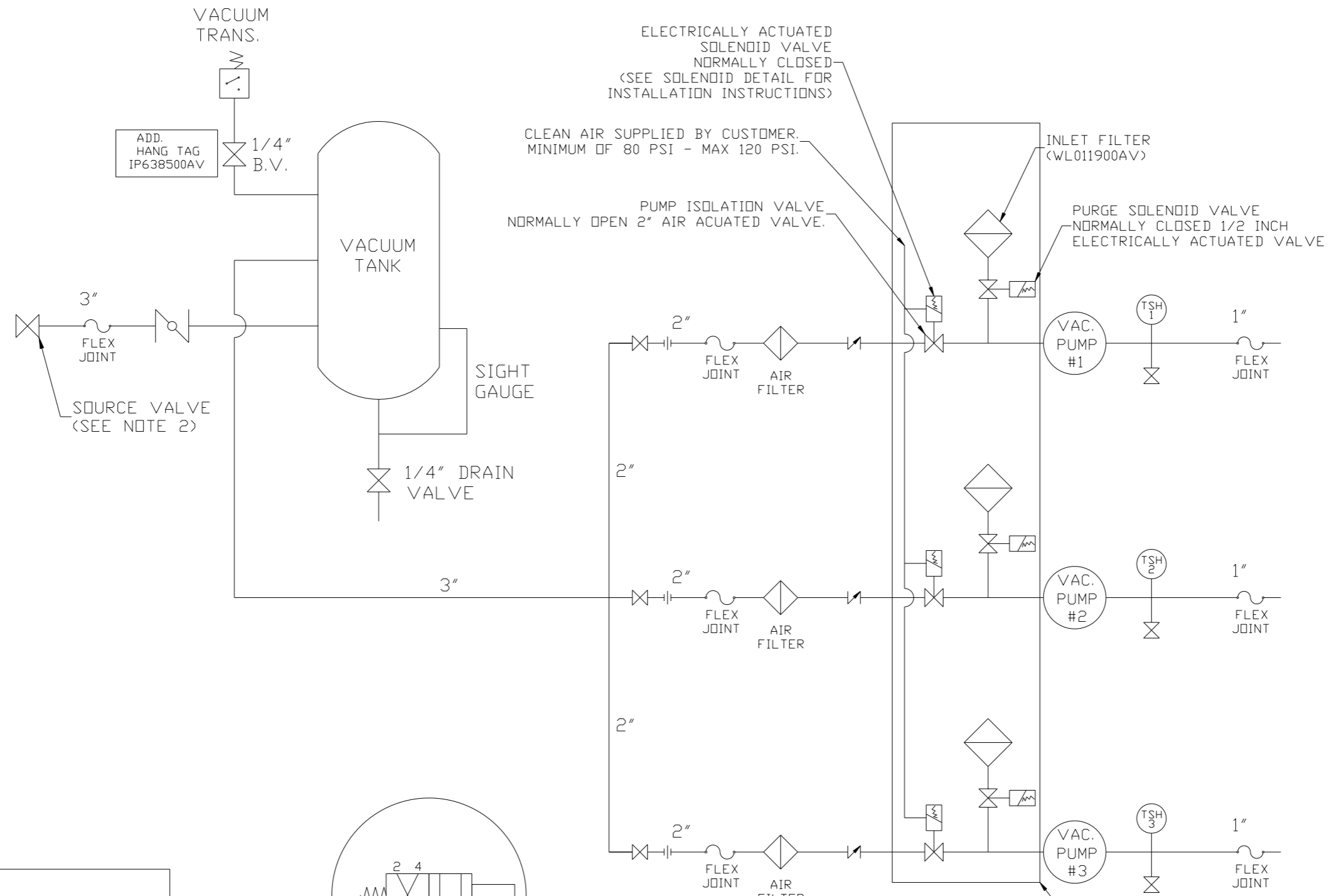
MINIMUM RECOMMENDED MAINTENANCE CLEARANCE



NOTE: AUTO PURGE IS OPTIONAL.

SYMBOL LEGEND		AUTOCAD REL2008 LT		DO NOT SCALE DRAWING FOR DIMENSIONS	
⊖	MINUS DRAFT	⊕	PLUS DRAFT	SCALE 1:14	
⊕	ADDITIONAL CONTROL REQ'D	INCH		Sheet 1 of 2	
⊕	BRINELL HARDNESS	MATERIAL N/A		DRAWN BY BFH	
TOLERANCES NOT SPECIFIED		CONFIDENTIAL DISCLOSURE		CHECKED BY DMS	
.XX ±		This drawing is the property of POWEREX, INC. of the SCOTT FEITZER COMPANY and subject to return on demand. Its contents are confidential and must not be copied or submitted to outside parties for use or examination.		ENGINEERING JBC	
.XXX ±				MFG/MRKTG CT	
<<DEG> ±				12/04/12 1/2/13 1/2/13 1/2/13	
		PART NAME		APPROVED BY	
		9. 1HP LAB VACUUM		1/2/13	
		200G TRIPLEX		1/2/13	
		DWG NO LCPT0905		SIZE D	
				150 PRODUCTION DRIVE, HARRISON, OHIO 45030	
				Ph: 888-769-7979 Fax: (513) 367-3125	

REV	ZONE	REVISION	DATE	ECN	NAME	CHKD
B-1	ALL	RELEASE TO PRODUCTION	1/2/13	PREC003	BFH	DMS



ELECTRICALLY ACTUATED SOLENOID VALVE NORMALLY CLOSED (SEE SOLENOID DETAIL FOR INSTALLATION INSTRUCTIONS)

CLEAN AIR SUPPLIED BY CUSTOMER. MINIMUM OF 80 PSI - MAX 120 PSI.

PUMP ISOLATION VALVE NORMALLY OPEN 2\"/>

INLET FILTER (WL011900AV)

PURGE SOLENOID VALVE NORMALLY CLOSED 1/2 INCH ELECTRICALLY ACTUATED VALVE

ADD. HANG TAG IP638500AV

VACUUM TRANS.

VACUUM TANK

SIGHT GAUGE

1/4\"/>

SOURCE VALVE (SEE NOTE 2)

3\"/>

FLEX JOINT

2\"/>

FLEX JOINT

AIR FILTER

TSH 1

VAC. PUMP #1

1\"/>

FLEX JOINT

2\"/>

2\"/>

FLEX JOINT

AIR FILTER

TSH 2

VAC. PUMP #2

1\"/>

FLEX JOINT

2\"/>

2\"/>

FLEX JOINT

AIR FILTER

TSH 3

VAC. PUMP #3

1\"/>

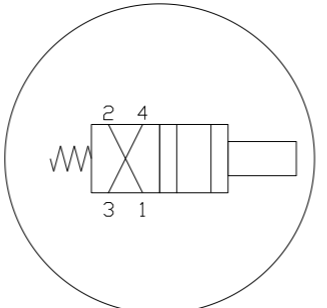
FLEX JOINT

AUTO PURGE IS OPTIONAL

NOTE: A 1/4 INCH VENT PLUG IS LOCATED IN THE FILTER HOUSING.

LEGEND

	TEMP. SWITCH		VACUUM SWITCH
	BUTTERFLY VALVE		CHECK VALVE
	AIR FILTER		FLEX LINE
	BALL VALVE		UNION



SOLENOID DETAIL:
 1) VALVE - INPUT #1
 2) MUFFLER - INPUT #2
 3) SUPPLY AIR - INPUT #4

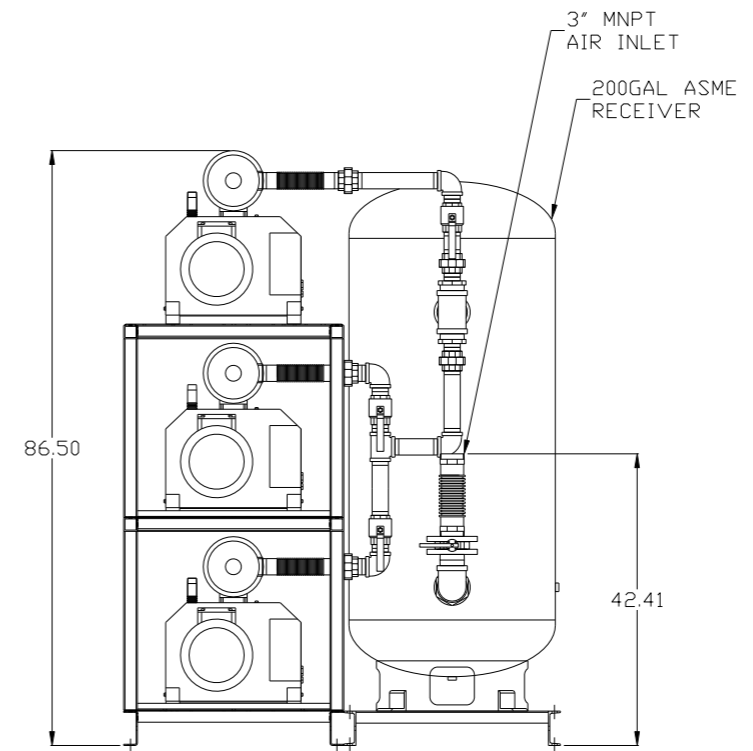
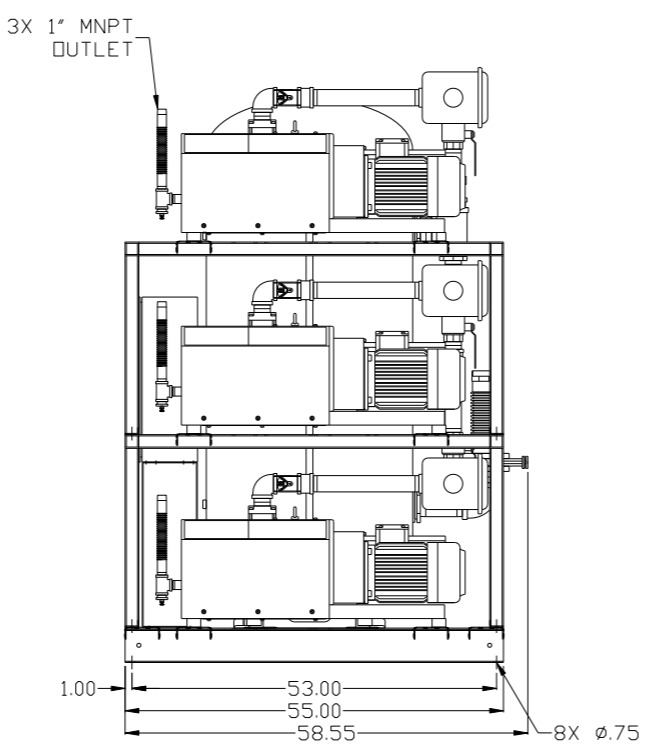
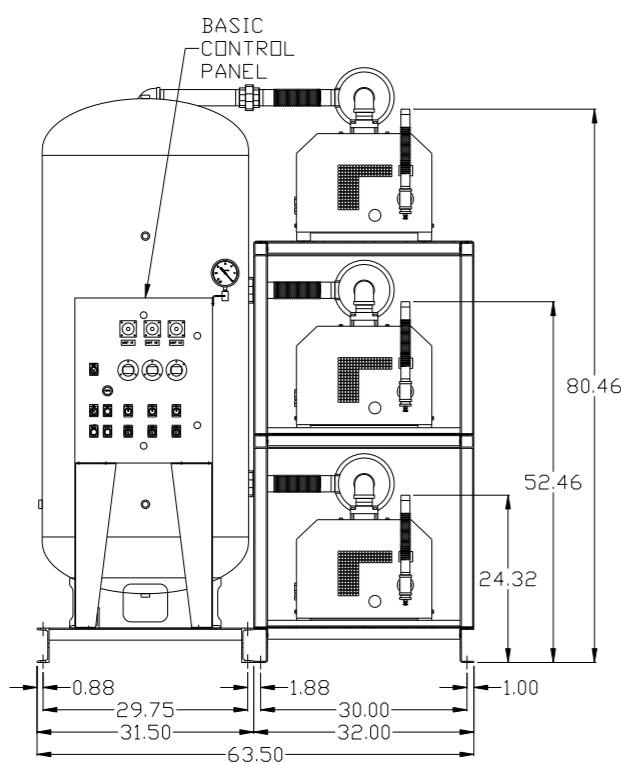
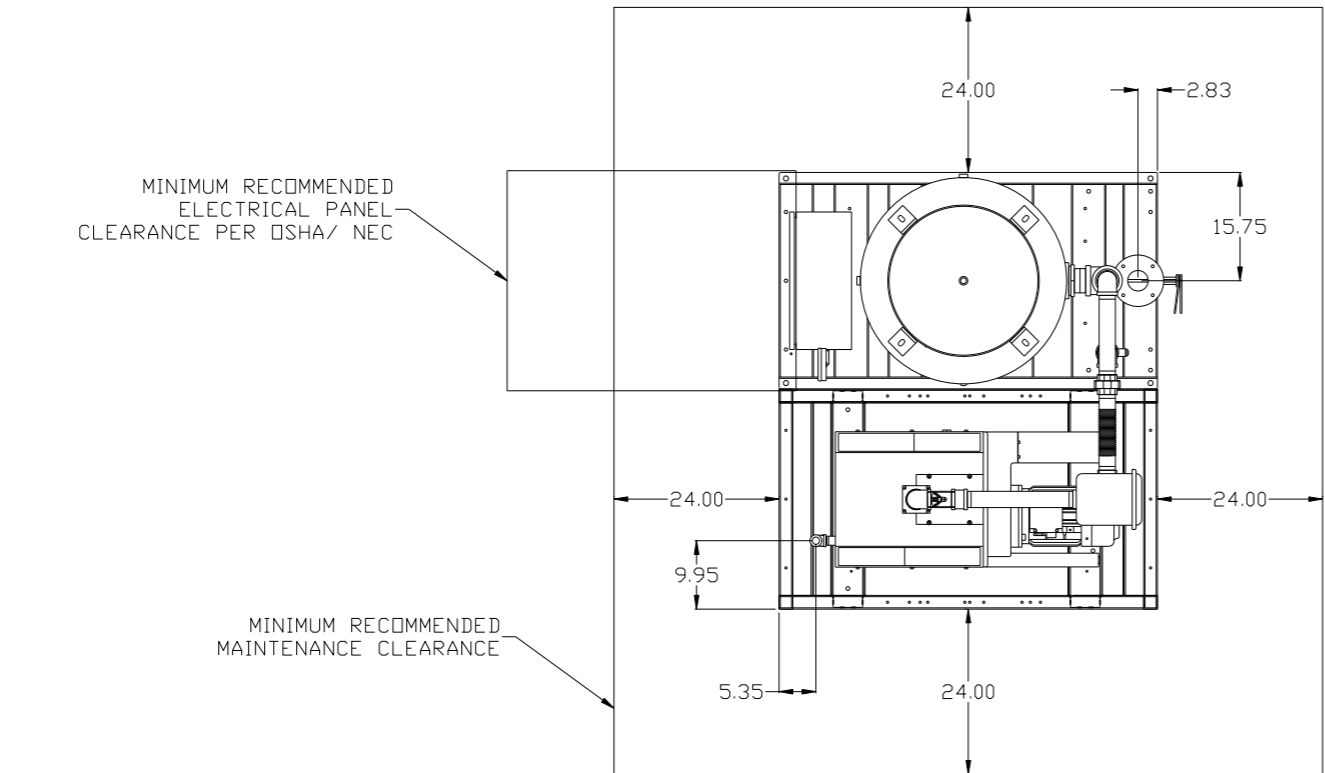
NOTE:
 1) TSH - TEMPERATURE SWITCH HIGH
 2) PER NFPA THE SYSTEM WILL REQUIRE A SOURCE VALVE (SUPPLIED BY OTHERS).

SYMBOL LEGEND			ADDITIONAL CONTROL REQ'D	Drawings to conform to the current revision of the following ANSI standards:
	MINUS DRAFT		BRINELL HARDNESS	Y14.3 Multi and sectional view dsgs. Y14.5M Dimensioning and tolerancing
TOLERANCES NOT SPECIFIED		AUTOCAD REL2008 LT		DO NOT SCALE DRAWING FOR DIMENSIONS
.XX ±	.XXX ±	INCH		SCALE 1:14
CONFIDENTIAL DISCLOSURE				
This drawing is the property of POWEREX, INC. of the SCOTT FETZER COMPANY and subject to return on demand. Its contents are confidential and must not be copied or submitted to outside parties for use or examination.				
DRAWN BY	CHECKED BY	APPROVED BY	MFG/MKTG	
BFH	DMS	JBC	CT	
12/05/12	1/2/13	1/2/13	1/2/13	
MATERIAL		N/A		
PART NAME		TRIPLEX CLAW LAB VAC		
DWG NO		LCPT0905		
SIZE		D		

REV	ZONE	REVISION	DATE	ECN	NAME	CHKD
B-1	ALL	RELEASE TO PRODUCTION	1/2/13	PRE0003	BFH	DMS

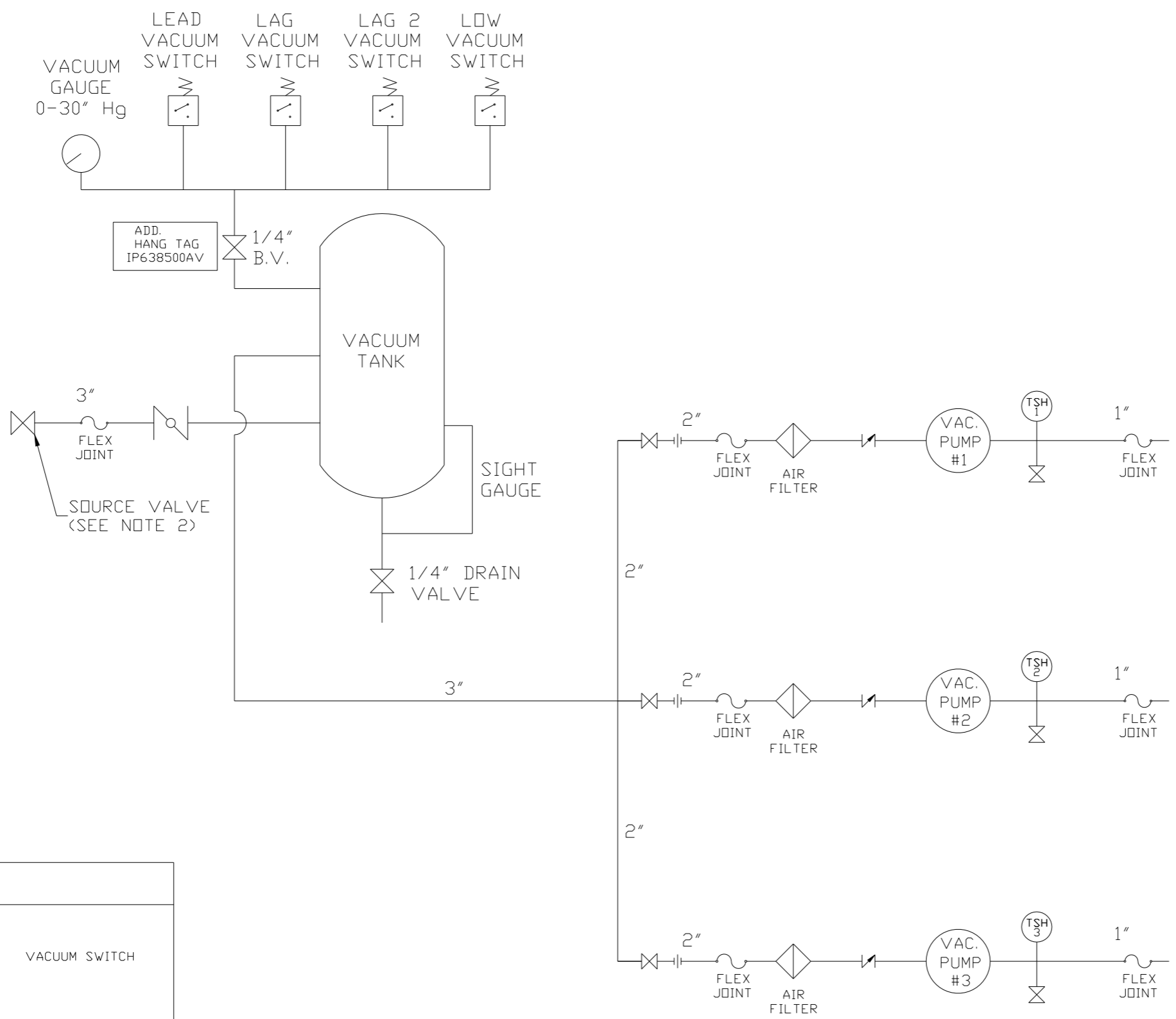
MINIMUM RECOMMENDED ELECTRICAL PANEL CLEARANCE PER OSHA/ NEC

MINIMUM RECOMMENDED MAINTENANCE CLEARANCE



SYMBOL LEGEND ⊖ = MINUS DRAFT ⊕ = PLUS DRAFT .XX ± .XXX ± <<DEG>> ±		= ADDITIONAL CONTROL REQ'D = BRINELL HARDNESS		Drawings to conform to the current revision of the following ANSI standards: Y14.3 Multi and sectional view dsgs. Y14.5M Dimensioning and tolerancing	
TOLERANCES NOT SPECIFIED .XX ± .XXX ± <<DEG>> ±		AUTOCAD REL2008 LT INCH		DO NOT SCALE DRAWING FOR DIMENSIONS Sheet 1 of 2 SCALE 1:14	
CONFIDENTIAL DISCLOSURE This drawing is the property of POWEREX, INC. of the SCOTT FEITZER COMPANY and subject to return on demand. Its contents are confidential and must not be copied or submitted to outside parties for use or examination.					
DRAWN BY BFH		CHECKED BY DMS		APPROVED BY JBC CT	
DATE 12/04/12		DATE 1/2/13		DATE 1/2/13	
MATERIAL N/A		POWEREX 150 PRODUCTION DRIVE, HARRISON, OHIO 45030 Ph: 888-769-7979 FAX: (513) 367-3125			
PART NAME 9. 1HP LAB VACUUM 200G TRIPLEX		DWG NO LCPT0905		SIZE D	

REV	ZONE	REVISION	DATE	ECN	NAME	CHKD
B-1	ALL	RELEASE TO PRODUCTION	1/2/13	PREC003	BFH	DMS



LEGEND	
	TEMP. SWITCH
	VACUUM SWITCH
	BUTTERFLY VALVE
	AIR FILTER
	BALL VALVE
	CHECK VALVE
	FLEX LINE
	UNION

NOTE:
A 1/4 INCH VENT PLUG IS
LOCATED IN THE FILTER HOUSING.

NOTE:
1) TSH - TEMPERATURE SWITCH HIGH
2) PER NFPA THE SYSTEM WILL REQUIRE A SOURCE VALVE (SUPPLIED BY OTHERS).

SYMBOL LEGEND			= ADDITIONAL CONTROL REQ'D		Drawings to conform to the current revision of the following ANSI standards:
	= MINUS DRAFT		= BRINELL HARDNESS		Y14.3 Multi and sectional view dsgs. Y14.5M Dimensioning and tolerancing
	= PLUS DRAFT	AUTOCAD REL2008 LT		DO NOT SCALE DRAWING FOR DIMENSIONS	
TOLERANCES NOT SPECIFIED	.XX ±	.XXX ±	<DEG. > ±	INCH	Sheet 2 of 2
CONFIDENTIAL DISCLOSURE		DRAWN BY		CHECKED BY	APPROVED BY
This drawing is the property of POWEREX, INC. of the SCOTT FETZER COMPANY and subject to return on demand. Its contents are confidential and must not be copied or submitted to outside parties for use or examination.		BFH		DMS	JBC CT
MATERIAL		12/05/12		1/2/13	1/2/13 1/2/13
PART NAME		N/A			
TRIPLEX CLAW LAB VAC		150 PRODUCTION DRIVE, HARRISON, OHIO 45030		Ph: 888-769-7979 FAX: (513) 367-3125	
FLOW SCHEMATIC		DWG NO		SIZE	
		LCPT0905		D	