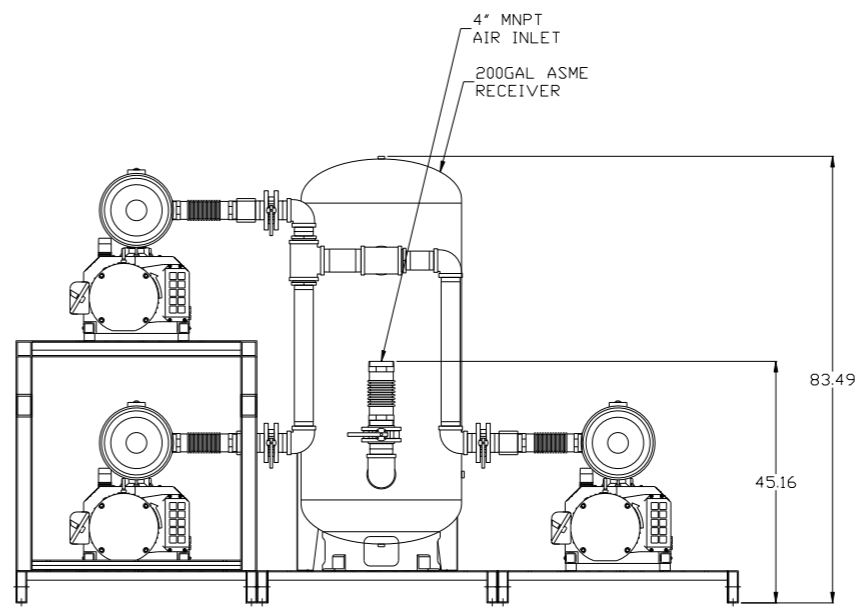
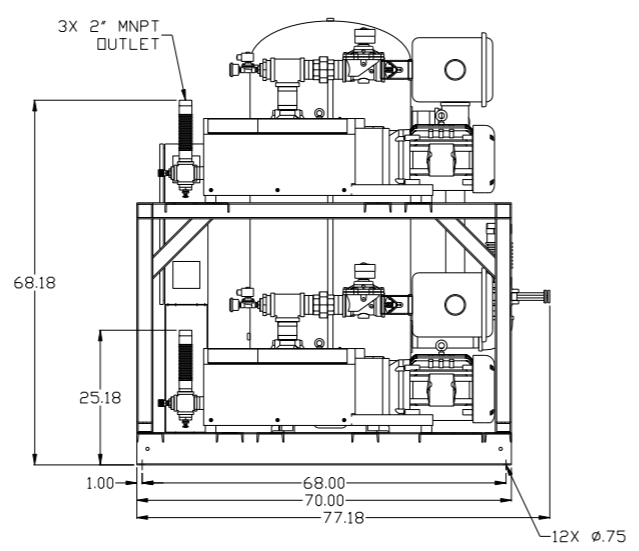
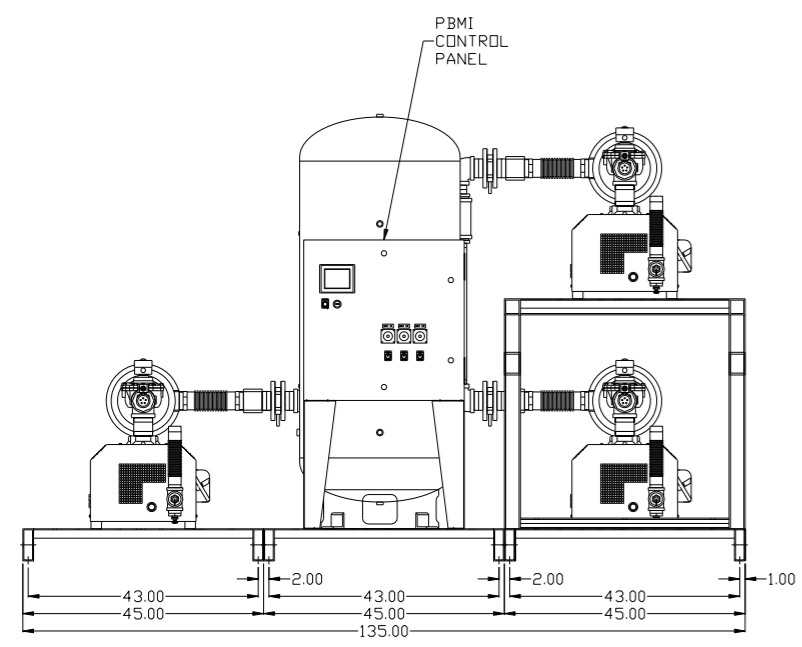
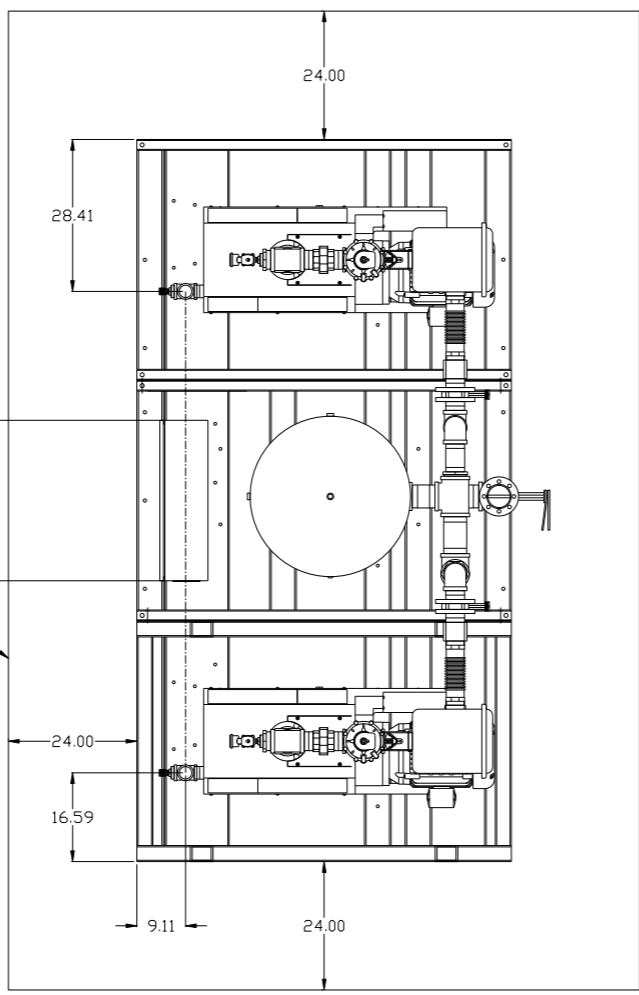


8 7 6 5 4 3 2 1

| REV | ZONE | REVISION               | DATE   | ECN     | NAME | CHKD |
|-----|------|------------------------|--------|---------|------|------|
| B-1 | ALL  | RELEASE TO PRODUCTION  | 1/2/13 | PKE0003 | BFH  | DMS  |
| C-1 | ALL  | UPDATED TO MM1502 PUMP | 8/6/15 | PKE0098 | AEK  | GES  |

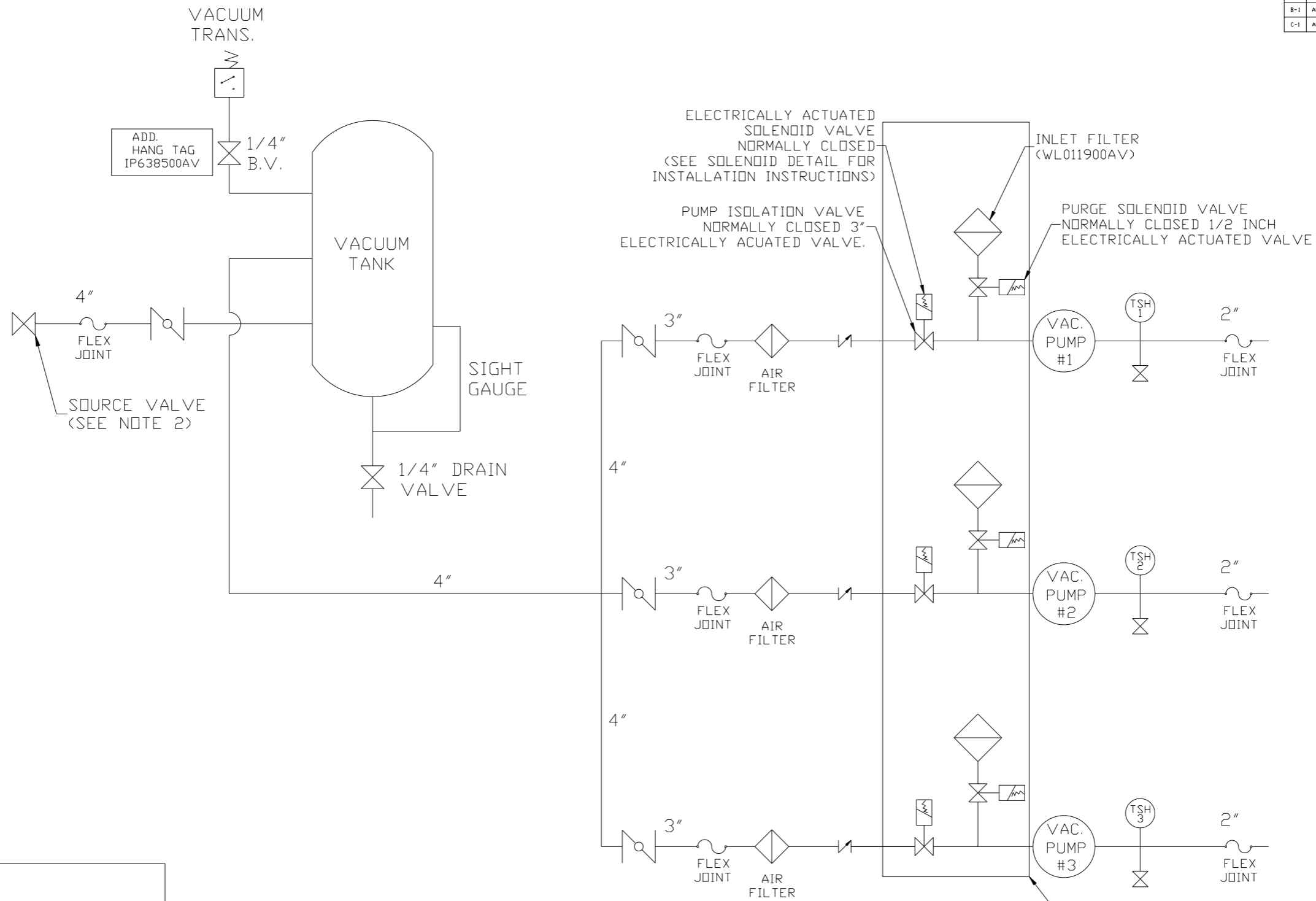


NOTE: AUTO PURGE IS OPTIONAL.

|  |  |  |  |  |  |
|--|--|--|--|--|--|
| <b>SYMBOL LEGEND</b><br>⊖ = MINUS DRAFT<br>⊕ = PLUS DRAFT<br><math>\text{XX} \pm</math><br><math>.XXX \pm</math><br><math>\angle(\text{DEG}) \pm</math>  |  | = ADDITIONAL CONTROL REQ'D<br>= BRINELL HARDNESS |  | Drawings to conform to the current revision of the following ANSI standards:<br>Y14.3 Multi and sectional view dgs.<br>Y14.5M Dimensioning and tolerancing |  |
| TOLERANCES NOT SPECIFIED<br>.XX ±<br>.XXX ±<br><math>\angle(\text{DEG}) \pm</math>   |  | AUTOCAD REL2008 LT<br>INCH                       |  | DO NOT SCALE DRAWING FOR DIMENSIONS<br>Sheet 2 of 2<br>SCALE 1:16  |  |
| <b>CONFIDENTIAL DISCLOSURE</b><br>This drawing is the property of POWEREX, INC. of the SCOTT FEITZER COMPANY and subject to return on demand. Its contents are confidential and must not be copied or submitted to outside parties for use or examination. |  |  |  |  |  |
| DRAWN BY<br>BFH  |  | CHECKED BY<br>DMS                                |  | APPROVED BY<br>JBC CT  |  |
| MATERIAL<br>N/A  |  | DATE<br>11/20/12 1/2/13 1/2/13 1/2/13            |  | <b>POWEREX</b><br>150 PRODUCTION DRIVE, HARRISON, OHIO 45030<br>Ph 888-769-7979 FAX (513) 367-3125   |  |
| PART NAME<br>15HP CLAW LAB VAC<br>200GAL TRIPLEX   |  | DWG NO<br>LCPT1505                               |  | SIZE<br>D  |  |

8 7 6 5 4 3 2 1

| REV | ZONE | REVISION               | DATE   | ECN      | NAME | CHKD |
|-----|------|------------------------|--------|----------|------|------|
| B-1 | ALL  | RELEASE TO PRODUCTION  | 1/2/13 | PKEC0003 | BFH  | DMS  |
| C-1 | ALL  | UPDATED TO MM1502 PUMP | 8/6/15 | PKEC0098 | AEK  | GES  |



LEGEND

|  |                 |  |               |
|--|-----------------|--|---------------|
|  | TEMP. SWITCH    |  | VACUUM SWITCH |
|  | BUTTERFLY VALVE |  | CHECK VALVE   |
|  | AIR FILTER      |  | FLEX LINE     |
|  | BALL VALVE      |  | UNION         |

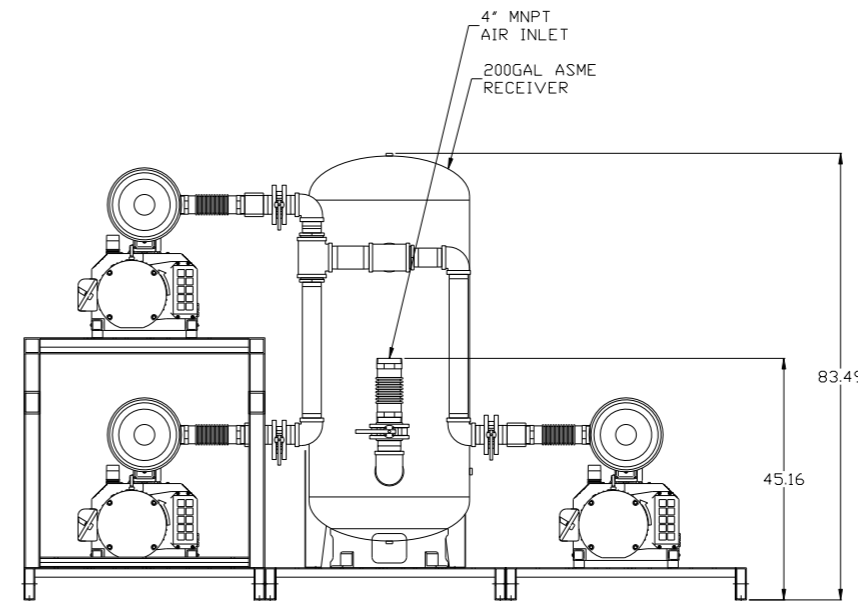
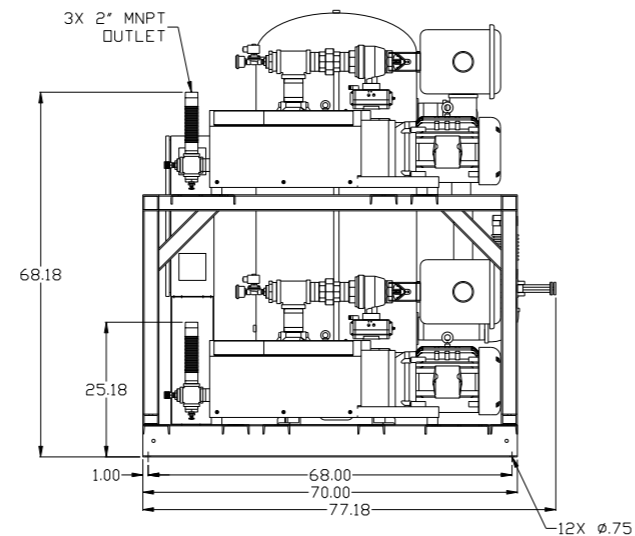
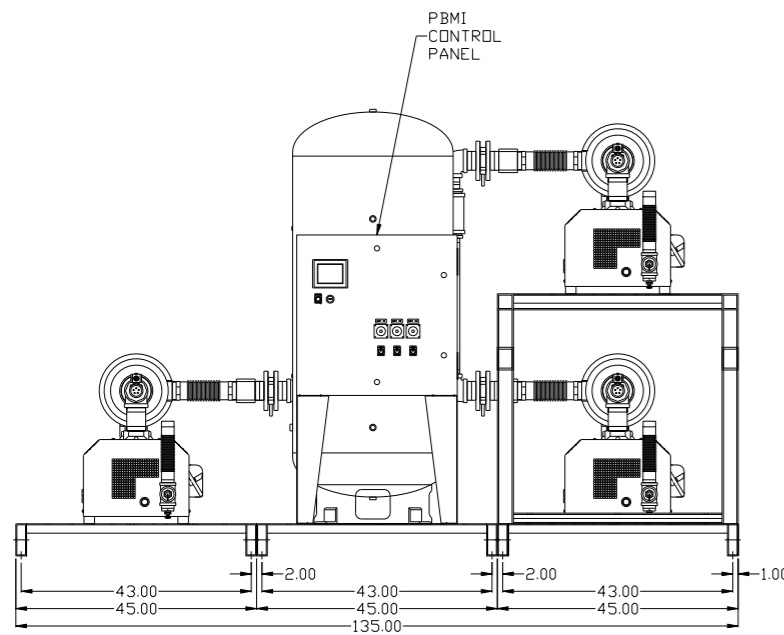
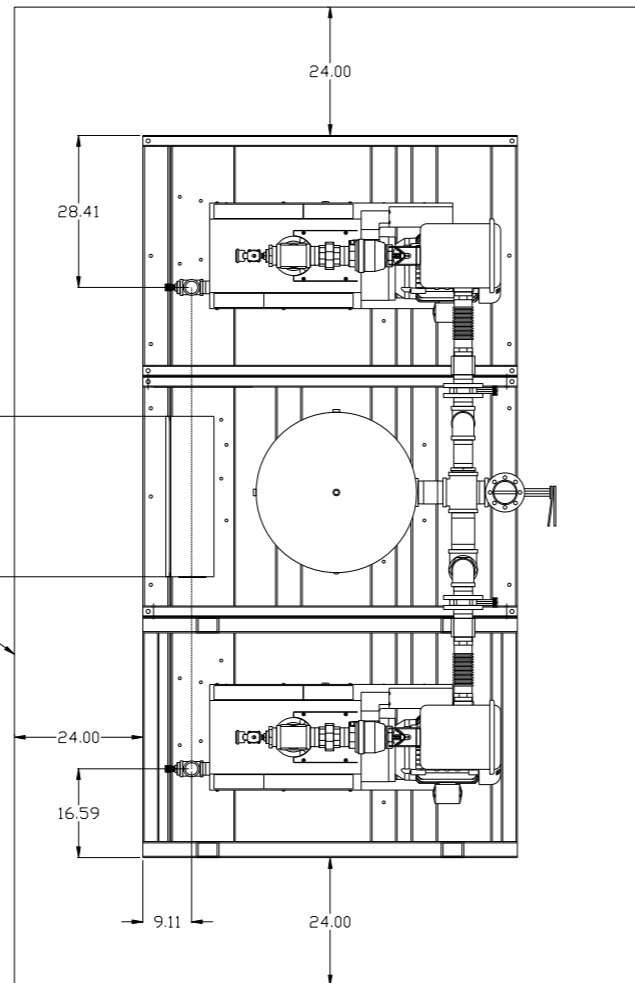
NOTE:  
 1) TSH - TEMPERATURE SWITCH HIGH  
 2) PER NFPA THE SYSTEM WILL REQUIRE A SOURCE VALVE (SUPPLIED BY OTHERS).

NOTE:  
 A 1/4 INCH VENT PLUG IS LOCATED IN THE FILTER HOUSING.

AUTO PURGE IS OPTIONAL

|  |               |                          |                            |                                     |  |            |
|--|---------------|--------------------------|----------------------------|-------------------------------------|--|------------|
| SYMBOL LEGEND  |               |                          | = ADDITIONAL CONTROL REQ'D |                                     | Drawings to conform to the current revision of the following ANSI standards: |            |
|  | = MINUS DRAFT |                          | = BRINELL HARDNESS         |                                     | Y14.3 Multi: and sectional view dsgs. Y14.5M Dimensioning and tolerancing    |            |
| TOLERANCES NOT SPECIFIED   |               | AUTOCAD REL2008 LT       |                            | DO NOT SCALE DRAWING FOR DIMENSIONS |  |            |
| .XX ±  | .XXX ±        | INCH                     |                            | Sheet 1 of 2                        |  | SCALE 1:16 |
| CONFIDENTIAL DISCLOSURE<br>This drawing is the property of POWEREX, INC. of the SCOTT FETZER COMPANY and subject to return on demand. Its contents are confidential and must not be copied or submitted to outside parties for use or examination. |               |                          |                            |                                     |  |            |
| DRAWN BY   |               | CHECKED BY               | APPROVED BY                |                                     | MFG/MKTG   |            |
| BFH  |               | DMS                      | JBC                        |                                     | CT   |            |
| 11/20/12   |               | 1/2/13                   | 1/2/13                     |                                     | 1/2/13   |            |
| MATERIAL   |               | N/A                      |                            |                                     |  |            |
| PART NAME  |               | TRIPLEX CLAW LAB VAC PKG |                            |                                     |  |            |
| FLOW SCHEMATIC   |               | DWG NO                   |                            | SIZE                                |  |            |
|  |               | LCPT1505                 |                            | D                                   |  |            |

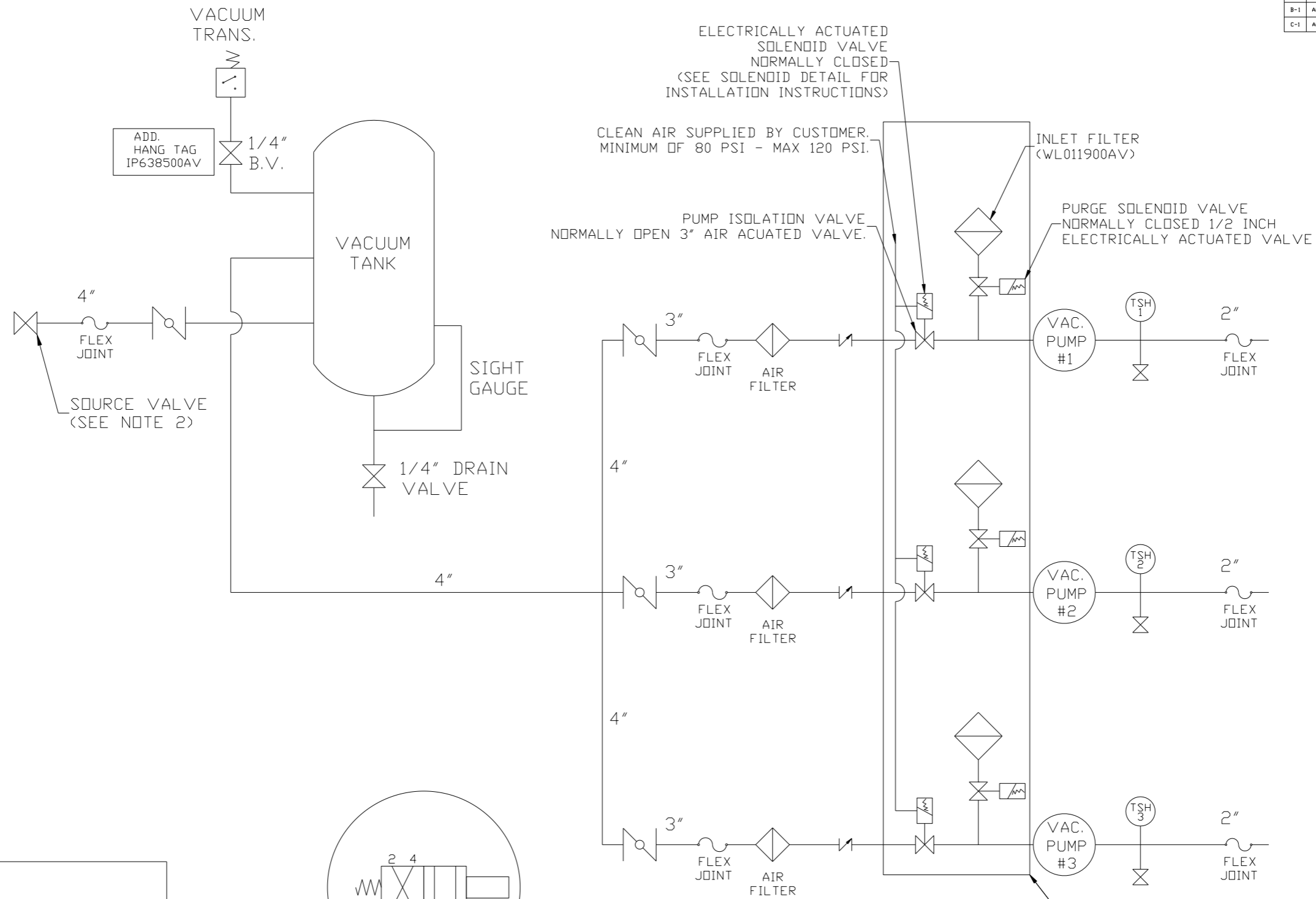
| REV | ZONE | REVISION               | DATE   | ECN      | NAME | CHKD |
|-----|------|------------------------|--------|----------|------|------|
| B-1 | ALL  | RELEASE TO PRODUCTION  | 1/2/13 | PKEC0003 | BFH  | DMS  |
| C-1 | ALL  | UPDATED TO MM1502 PUMP | 8/6/15 | PKEC0098 | AEK  | GES  |



NOTE: AUTO PURGE IS OPTIONAL.

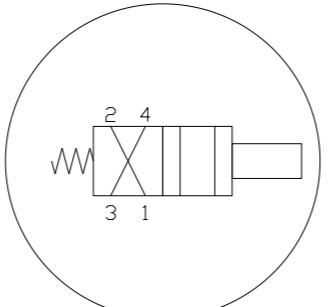
|  |  |   |  |  |  |
|--|--|---|--|--|--|
| <b>SYMBOL LEGEND</b><br>⊖ = MINUS DRAFT<br>⊕ = PLUS DRAFT<br>.XX ±<br>.XXX ±<br><< DEG >> ±  |  | = ADDITIONAL CONTROL REQ'D<br>= BRINELL HARDNESS                  |  | Drawings to conform to the current revision of the following ANSI standards:<br>Y14.3 Multi and sectional view dgs.<br>Y14.5M Dimensioning and tolerancing |  |
| TOLERANCES NOT SPECIFIED<br>AUTOCAD REL2008 LT<br>INCH   |  | DO NOT SCALE DRAWING FOR DIMENSIONS<br>Sheet 2 of 2<br>SCALE 1:16 |  |  |  |
| <b>CONFIDENTIAL DISCLOSURE</b><br>This drawing is the property of POWEREX, INC. of the SCOTT FEITZER COMPANY and subject to return on demand. Its contents are confidential and must not be copied or submitted to outside parties for use or examination. |  |   |  |  |  |
| DRAWN BY<br>BFH  |  | CHECKED BY<br>DMS   |  | APPROVED BY<br>JBC CT  |  |
| MATERIAL<br>N/A  |  | DATE<br>11/20/12 1/2/13 1/2/13 1/2/13                             |  | SIZE<br>D  |  |
| PART NAME<br>15HP CLAW LAB VAC<br>200GAL TRIPLEX   |  | DWG NO<br>LCPT1505  |  | SIZE<br>D  |  |

| REV | ZONE | REVISION               | DATE   | ECN      | NAME | CHKD |
|-----|------|------------------------|--------|----------|------|------|
| B-1 | ALL  | RELEASE TO PRODUCTION  | 1/2/13 | PKEC0003 | BFH  | DMS  |
| C-1 | ALL  | UPDATED TO MM1502 PUMP | 8/6/15 | PKEC0098 | AEK  | GES  |



LEGEND

|  |                 |  |               |
|--|-----------------|--|---------------|
|  | TEMP. SWITCH    |  | VACUUM SWITCH |
|  | BUTTERFLY VALVE |  | CHECK VALVE   |
|  | AIR FILTER      |  | FLEX LINE     |
|  | BALL VALVE      |  | UNION         |



SOLENOID DETAIL:  
 1) VALVE - INPUT #1  
 2) MUFFLER - INPUT #2  
 3) SUPPLY AIR - INPUT #4

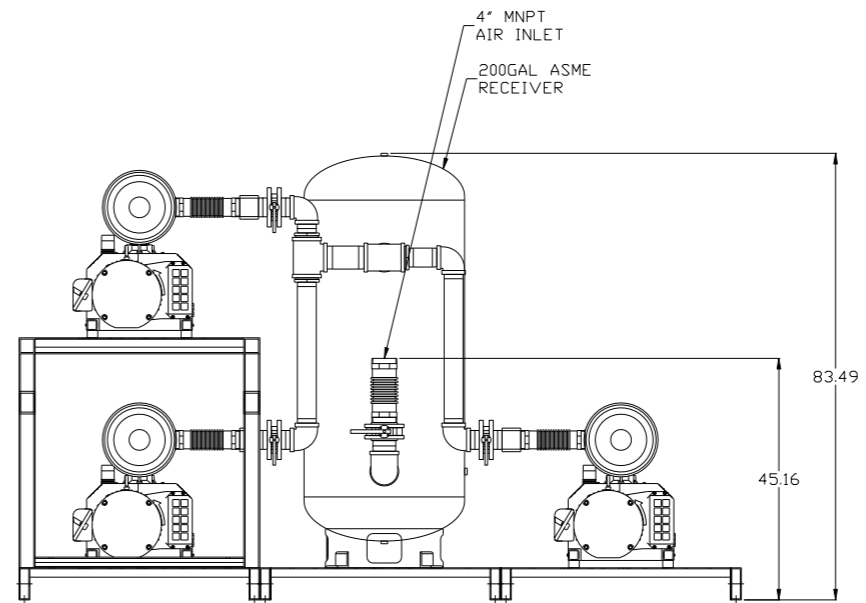
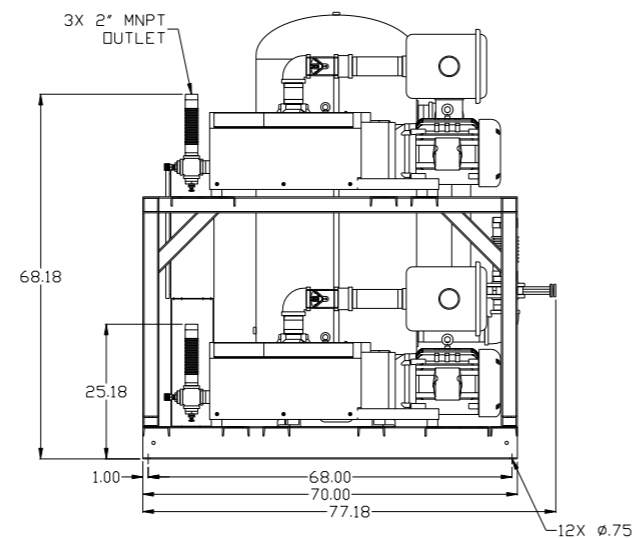
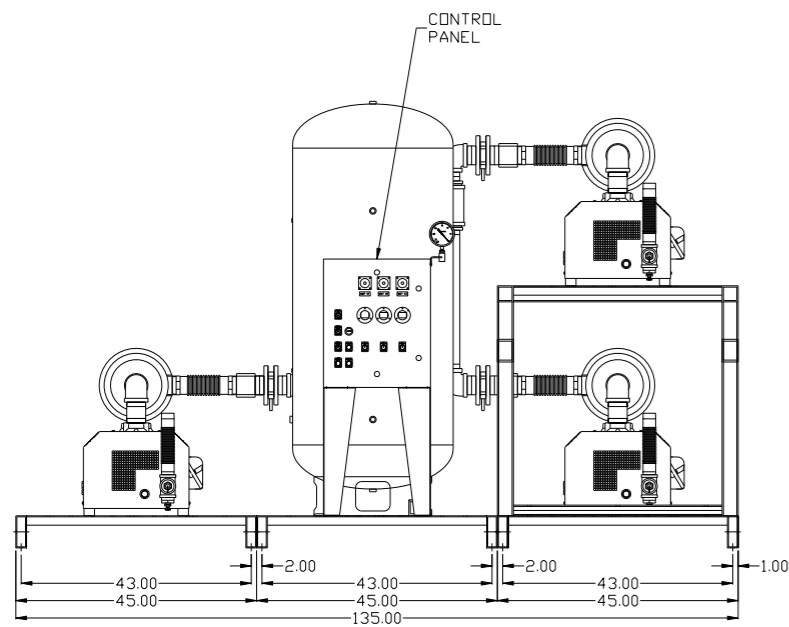
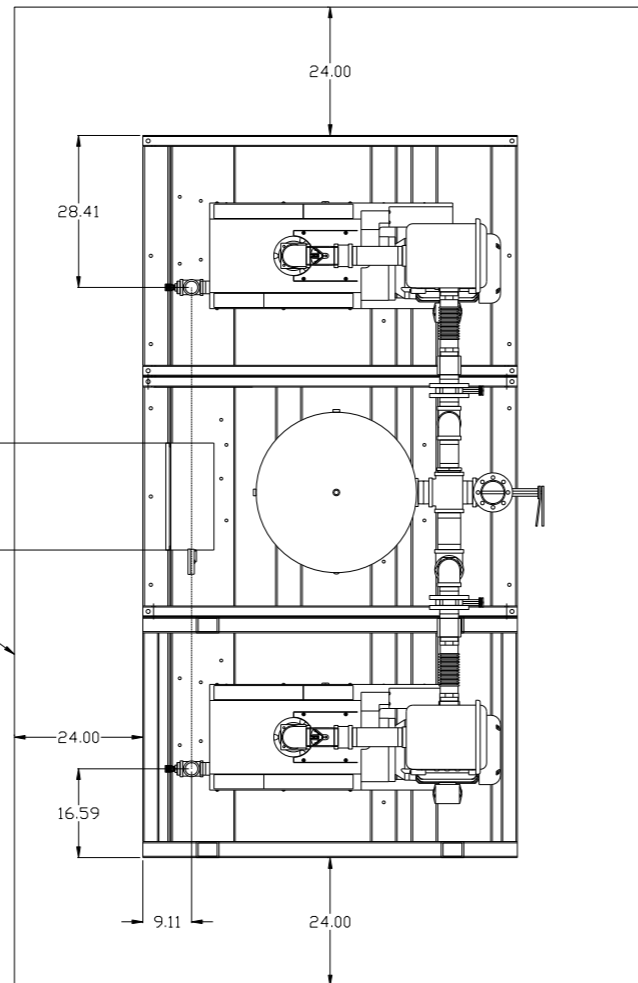
NOTE:  
 1) TSH - TEMPERATURE SWITCH HIGH  
 2) PER NFPA THE SYSTEM WILL REQUIRE A SOURCE VALVE (SUPPLIED BY OTHERS).

NOTE:  
 A 1/4 INCH VENT PLUG IS LOCATED IN THE FILTER HOUSING.

AUTO PURGE IS OPTIONAL

|                          |               |   |                            |   |
|--------------------------|---------------|---|----------------------------|---|
| SYMBOL LEGEND            |               |   | = ADDITIONAL CONTROL REQ'D | Drawings to conform to the current revision of the following ANSI standards |
|                          | = MINUS DRAFT |   | = BRINELL HARDNESS         | Y14.3 Multi and sectional view dgs. Y14.5M Dimensioning and tolerancing     |
| TOLERANCES NOT SPECIFIED |               | AUTOCAD REL2008 LT  |                            | DO NOT SCALE DRAWING FOR DIMENSIONS   |
| .XX ±                    | .XXX ±        | INCH  |                            | Sheet 1 of 2  |
| CONFIDENTIAL DISCLOSURE  |               | This drawing is the property of POWEREX, INC. of the SCOTT FETZER COMPANY and subject to return on demand. Its contents are confidential and must not be copied or submitted to outside parties for use or examination. |                            |   |
| DRAWN BY                 | CHECKED BY    | APPROVED BY   | MFG/MKTG                   |   |
| BFH                      | DMS           | JBC   | CT                         |   |
| 11/20/12                 | 1/2/13        | 1/2/13  | 1/2/13                     |   |
| MATERIAL                 |               | N/A   |                            |   |
| PART NAME                |               | TRIPLEX CLAW LAB VAC PKG  |                            |   |
| DWG NO                   |               | LCPT1505  |                            |   |
| SIZE                     |               | D   |                            |   |

| REV | ZONE | REVISION               | DATE   | ECN      | NAME | CHKD |
|-----|------|------------------------|--------|----------|------|------|
| B-1 | ALL  | RELEASE TO PRODUCTION  | 1/2/13 | PKEC0003 | BFH  | DMS  |
| C-1 | ALL  | UPDATED TO MM1502 PUMP | 8/6/15 | PKEC0098 | AEK  | GES  |



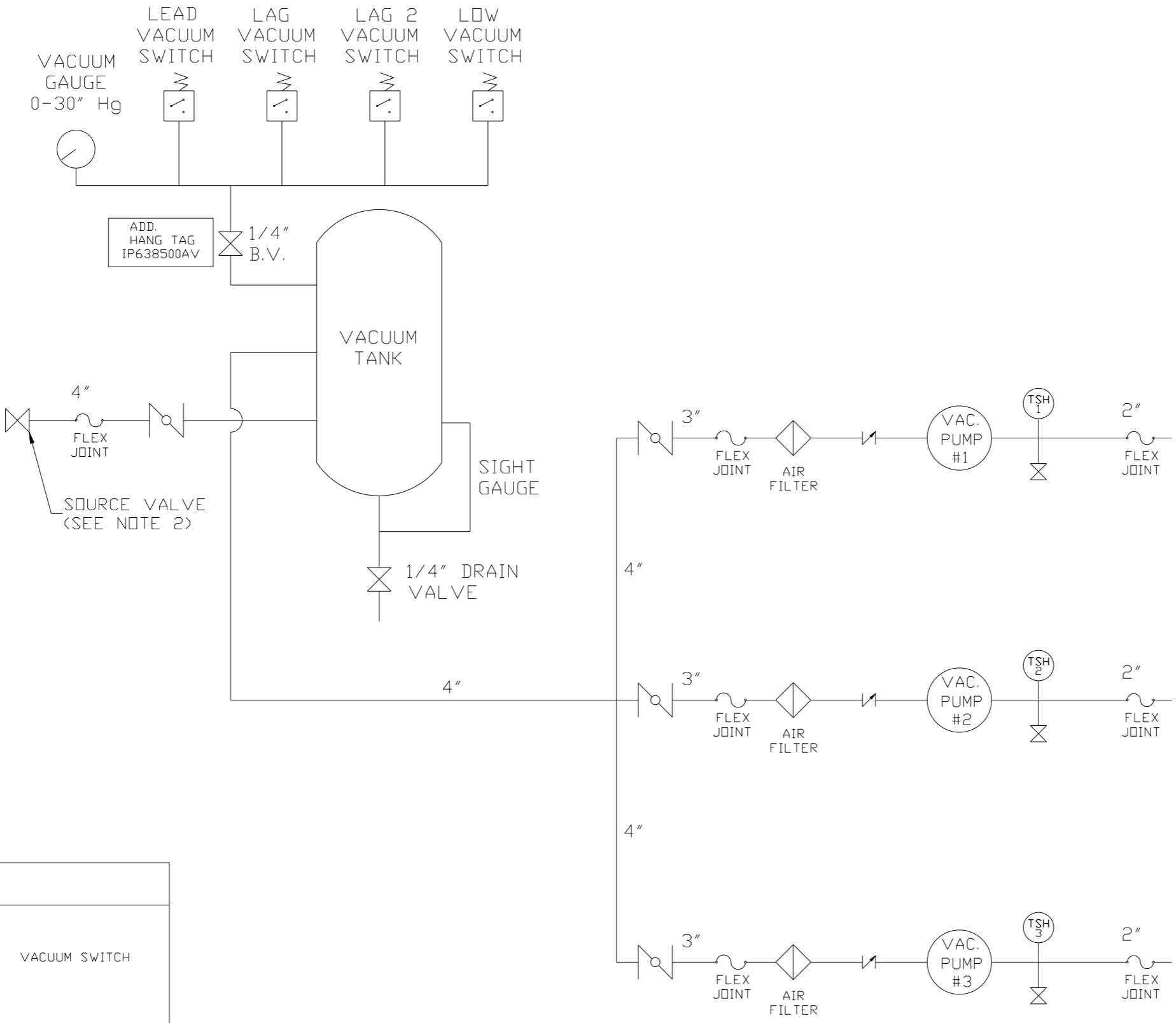
|                 |                |                              |                      |  |
|-----------------|----------------|------------------------------|----------------------|--|
| ⊖ = MINUS DRAFT | ⊕ = PLUS DRAFT | ⊕ = ADDITIONAL CONTROL REQ'D | ⊕ = BRINELL HARDNESS | Drawings to conform to the current revision of the following ANSI standards:<br>Y14.3 Multi and sectional view dgs.<br>Y14.5M Dimensioning and tolerancing |
|-----------------|----------------|------------------------------|----------------------|--|

|                          |                    |                                     |
|--------------------------|--------------------|-------------------------------------|
| TOLERANCES NOT SPECIFIED | AUTOCAD REL2008 LT | DO NOT SCALE DRAWING FOR DIMENSIONS |
| .XX ±                    | INCH               | Sheet 2 of 2                        |
| .XXX ±                   |                    | SCALE 1:16                          |
| <<DEG> ±                 |                    |                                     |

|   |            |             |                       |
|---|------------|-------------|-----------------------|
| CONFIDENTIAL DISCLOSURE<br>This drawing is the property of POWEREX, INC. of the SCOTT FEITZER COMPANY and subject to return on demand. Its contents are confidential and must not be copied or submitted to outside parties for use or examination. |            |             |                       |
| DRAWN BY  | CHECKED BY | APPROVED BY | ENGINEERING MFG/MRKTG |
| BFH   | DMS        | JBC         | CT                    |
| 11/20/12  | 1/2/13     | 1/2/13      | 1/2/13                |

|           |                                     |  |
|-----------|-------------------------------------|--|
| MATERIAL  | N/A                                 | <br>150 PRODUCTION DRIVE, HARRISON, OHIO 45030<br>Ph: 888-769-7979 FAX: (513) 367-3125 |
| PART NAME | 15HP CLAW LAB VAC<br>200GAL TRIPLEX |  |
| DWG NO    | LCPT1505                            | SIZE<br>D  |

| REV | ZONE | REVISION               | DATE   | ECN      | NAME | CHKD |
|-----|------|------------------------|--------|----------|------|------|
| B-1 | ALL  | RELEASE TO PRODUCTION  | 1/2/13 | PKEC0003 | BFH  | DMS  |
| C-1 | ALL  | UPDATED TO MM1502 PUMP | 8/6/15 | PKEC0098 | AEK  | GES  |



LEGEND

|  |                 |  |               |
|--|-----------------|--|---------------|
|  | TEMP. SWITCH    |  | VACUUM SWITCH |
|  | BUTTERFLY VALVE |  | CHECK VALVE   |
|  | AIR FILTER      |  | FLEX LINE     |
|  | BALL VALVE      |  | UNION         |

NOTE:  
A 1/4 INCH VENT PLUG IS  
LOCATED IN THE FILTER HOUSING.

NOTE:  
1) TSH - TEMPERATURE SWITCH HIGH  
2) PER NFPA THE SYSTEM WILL REQUIRE A SOURCE VALVE (SUPPLIED BY OTHERS).

|  |             |                          |                                     |  |  |
|--|-------------|--------------------------|-------------------------------------|--|--|
| SYMBOL LEGEND  |             |                          | ADDITIONAL CONTROL REQ'D            | Drawings to conform to the current revision of the following ANSI standards: |  |
|  | MINUS DRAFT |                          | BRINELL HARDNESS                    | Y14.3 Multi and sectional view dsgs. Y14.5M Dimensioning and tolerancing     |  |
| TOLERANCES NOT SPECIFIED   |             | AUTOCAD REL2008 LT       | DO NOT SCALE DRAWING FOR DIMENSIONS |  |  |
| .XX ±  |             | INCH                     | Sheet 1 of 2                        | SCALE 1:16   |  |
| .XXX ±   |             |                          |                                     |  |  |
| <<DEG> ±   |             |                          |                                     |  |  |
| CONFIDENTIAL DISCLOSURE<br>This drawing is the property of POWEREX, INC. of the SCOTT FETZER COMPANY and subject to return on demand. Its contents are confidential and must not be copied or submitted to outside parties for use or examination. |             |                          |                                     |  |  |
| DRAWN BY   |             | CHECKED BY               | APPROVED BY                         | MFG/MKTG   |  |
| BFH  |             | DMS                      | JBC                                 | CT   |  |
| 11/20/12   |             | 1/2/13                   | 1/2/13                              | 1/2/13   |  |
| MATERIAL   |             | N/A                      |                                     |  |  |
| PART NAME  |             | TRIPLEX CLAW LAB VAC PKG |                                     |  |  |
| FLOW SCHEMATIC   |             | DWG NO                   |                                     | SIZE   |  |
|  |             | LCPT1505                 |                                     | D  |  |