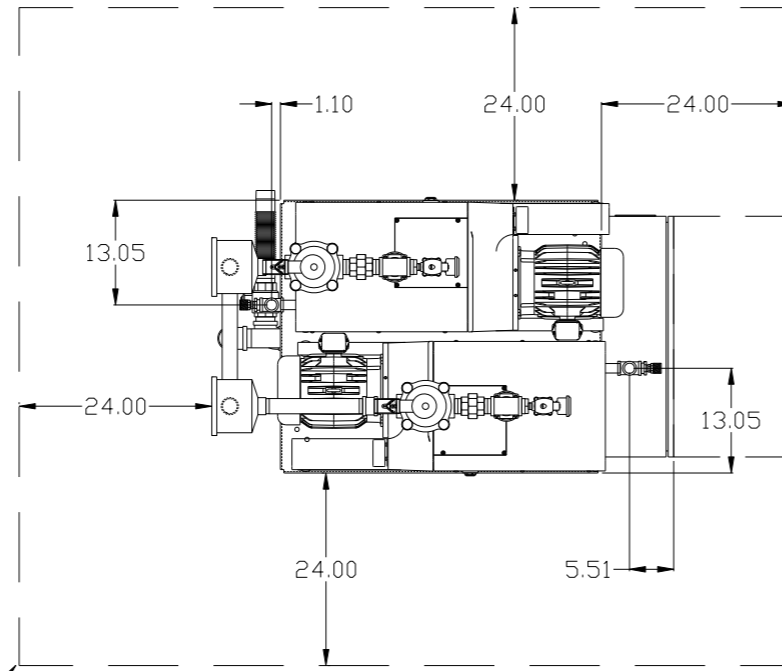
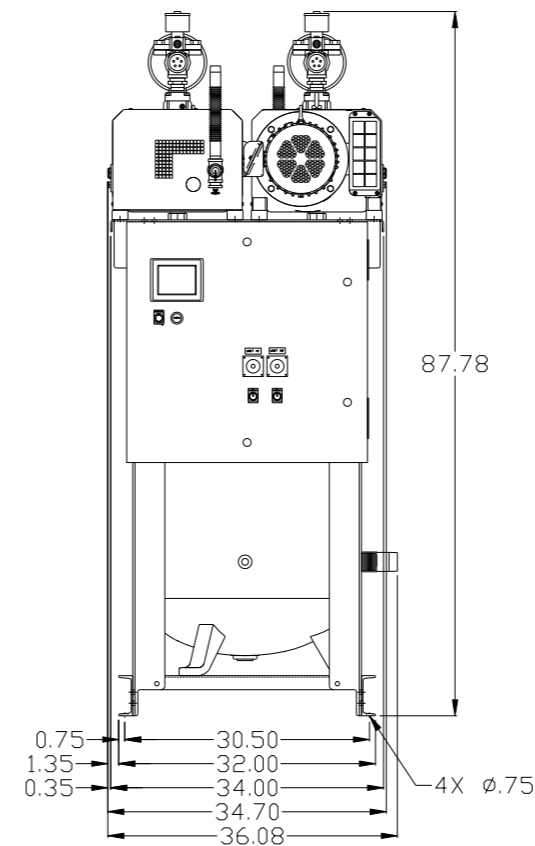
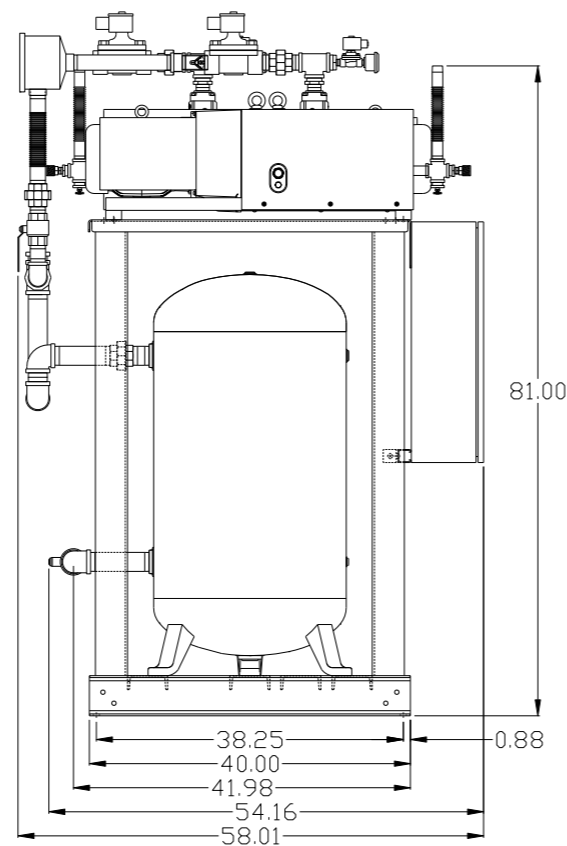
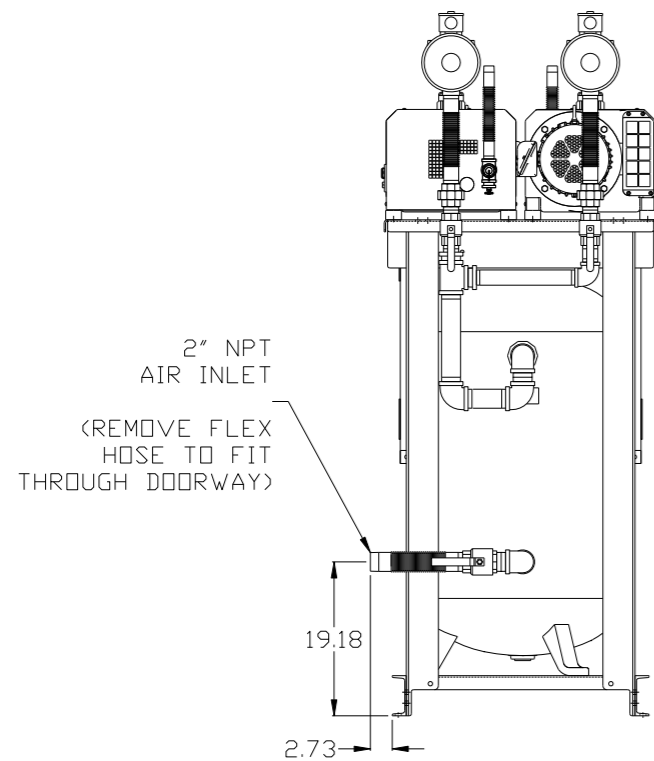


REV	ZONE	REVISION	DATE	ECN	NAME	CHKD
B-1	ALL	RELEASE TO PRODUCTION	1/2/13	PXEC003	GES	DMS
C-1	ALL	MOVED PPM INLET FAN TO OPPOSITE SIDE OF PANEL ENCLOSURE	2/12/15	PXEC0093	AEK	GES
D-1	ALL	UPDATED TO PUMP WITH NEMA RATED MOTOR	11/16/16	PXEC0149	AEK	GES



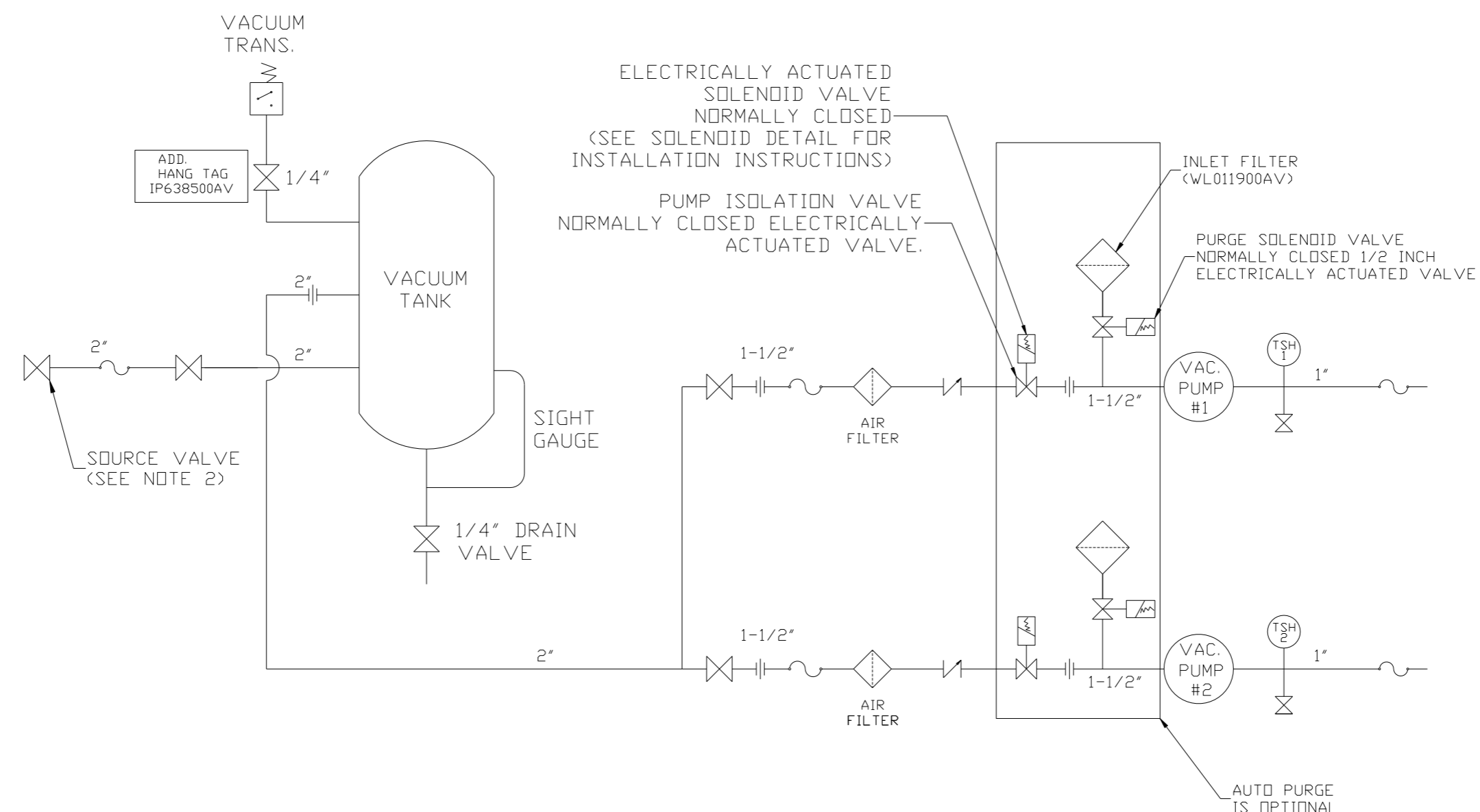
MINIMUM RECOMMENDED MAINTENANCE CLEARANCE



NOTE: AUTO PURGE IS OPTIONAL.

SYMBOL LEGEND		= ADDITIONAL CONTROL REQ'D		Drawings to conform to the current revision of the following ANSI standards:	
⊖	MINUS DRAFT	⊕	PLUS DRAFT	⊖	BRINELL HARDNESS
TOLERANCES NOT SPECIFIED		AUTOCAD REL2008 LT		DO NOT SCALE DRAWING FOR DIMENSIONS	
.XX ±		INCH		Sheet 1 of 2	SCALE 1:12
<small>CONFIDENTIAL DISCLOSURE: This drawing is the property of POWEREX, INC. of the SCOTT FETZER COMPANY and subject to return on demand. Its contents are confidential and must not be copied or submitted to outside parties for use or examination.</small>					
DRAWN BY		CHECKED BY		APPROVED BY	
GES		DMS		JBC CT	
11/27/12		1/2/13		1/2/13 1/2/13	
MATERIAL		N/A			
PART NAME		3HP LAB CLAW VAC		<small>150 PRODUCTION DRIVE, HARRISON, OHIO 45030 Ph: 888-769-7979 FAX: (513) 367-3125</small>	
DWG NO		LCV0303		SIZE D	
DUPLX VERT, 80G TANK				LCV0303B.dwg	

REV	ZONE	REVISION	DATE	ECN	NAME	CHKD
B-1	ALL	RELEASE TO PRODUCTION	1/2/13	PXEC003	GES	DMS
C-1	ALL	MOVED PPM INLET FAN TO OPPOSITE SIDE OF PANEL ENCLOSURE	2/12/15	PXEC009	AEK	GES
D-1	ALL	UPDATED TO PUMP WITH NEMA RATED MOTOR	11/16/16	PXEC014	AEK	GES



ELECTRICALLY ACTUATED SOLENOID VALVE NORMALLY CLOSED (SEE SOLENOID DETAIL FOR INSTALLATION INSTRUCTIONS)

PUMP ISOLATION VALVE NORMALLY CLOSED ELECTRICALLY ACTUATED VALVE.

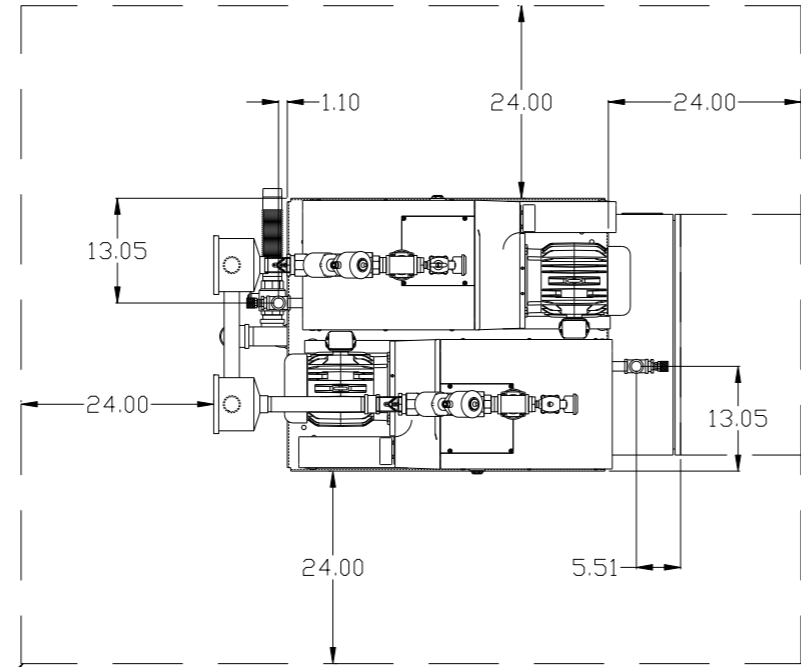
NOTE:  
A 1/4 INCH VENT PLUG IS LOCATED IN THE FILTER HOUSING.

LEGEND	
	TEMP. SWITCH
	BUTTERFLY VALVE
	AIR FILTER
	BALL VALVE
	VACUUM SWITCH
	CHECK VALVE
	FLEX LINE
	UNION

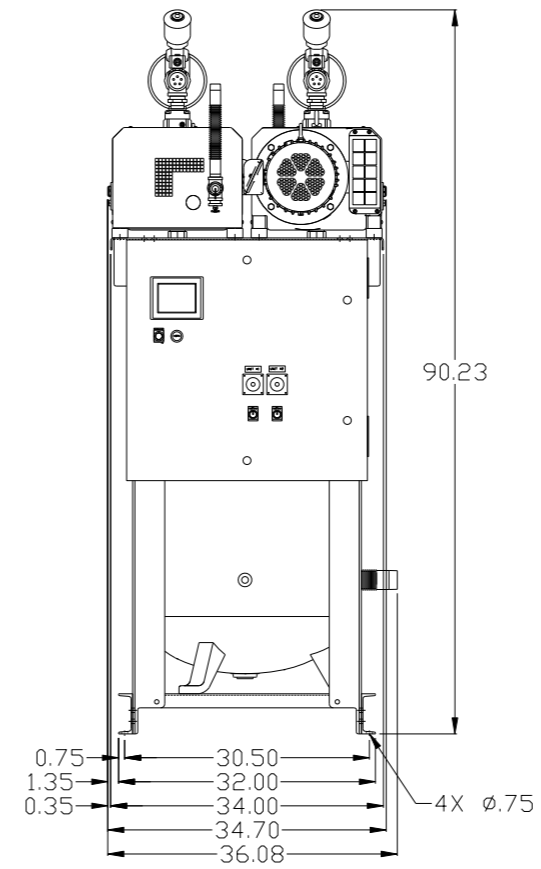
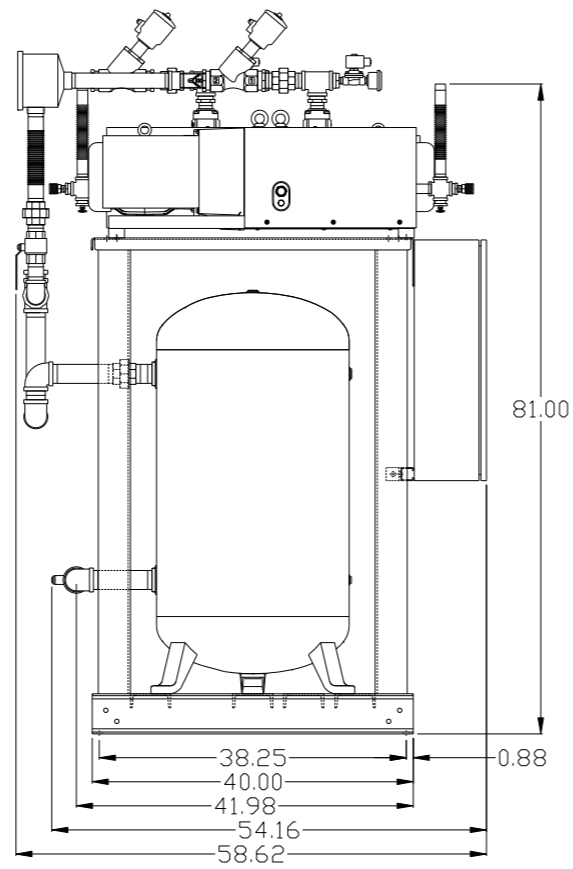
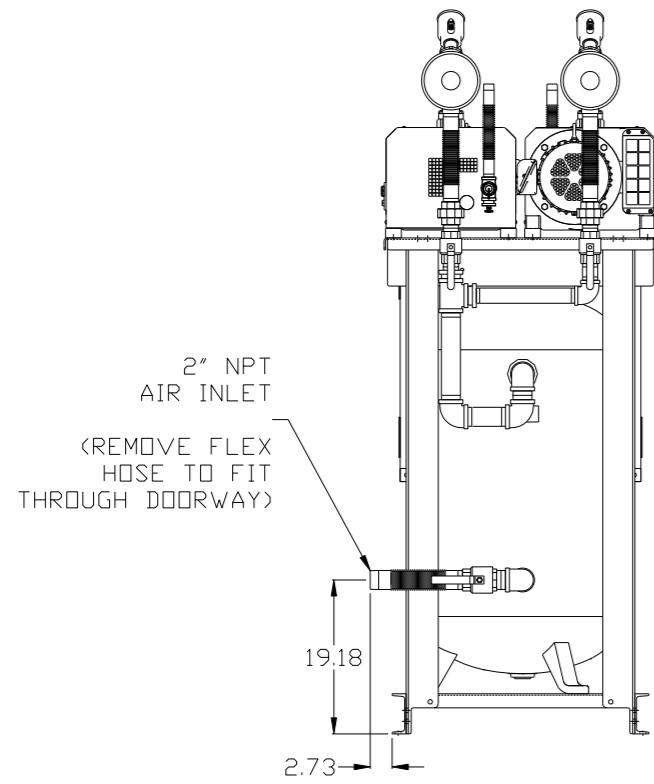
NOTE:  
1) TSH - TEMPERATURE SWITCH HIGH  
2) PER NFPA THE SYSTEM WILL REQUIRE A SOURCE VALVE (SUPPLIED BY OTHERS).

SYMBOL LEGEND			ADDITIONAL CONTROL REQ'D	Drawings to conform to the current revision of the following ANSI standards
	MINUS DRAFT		BRINELL HARDNESS	Y14.3 Multi and sectional view dings Y14.5M Dimensioning and tolerancing
TOLERANCES NOT SPECIFIED		DO NOT SCALE DRAWING FOR DIMENSIONS		
.XX ±	XXX ±	SCALE		1:12
AUTOCAD REL2008 LT		Sheet 2 of 2		
CONFIDENTIAL DISCLOSURE This drawing is the property of POWEREX, INC. of the SCOTT FETZER COMPANY and subject to return on demand. Its contents are confidential and must not be copied or submitted to outside parties for use or examination.		DRAWN BY	CHECKED BY	APPROVED BY
		GES	DMS	JBC CT
		11/27/12	1/2/13	1/2/13 1/2/13
MATERIAL		N/A		
PART NAME		LAB CLAW VAC DUPLEX		
FLOW SCHEMATIC		DWG NO LCVDO303		
		SIZE D		

REV	ZONE	REVISION	DATE	ECN	NAME	CHKD
B-1	ALL	RELEASE TO PRODUCTION	1/2/13	PXEC003	GES	DMS
C-1	ALL	MOVED PPM INLET FAN TO OPPOSITE SIDE OF PANEL ENCLOSURE	2/12/15	PXEC0093	AEK	GES
D-1	ALL	UPDATED TO PUMP WITH NEMA RATED MOTOR	11/16/16	PXEC0149	AEK	GES



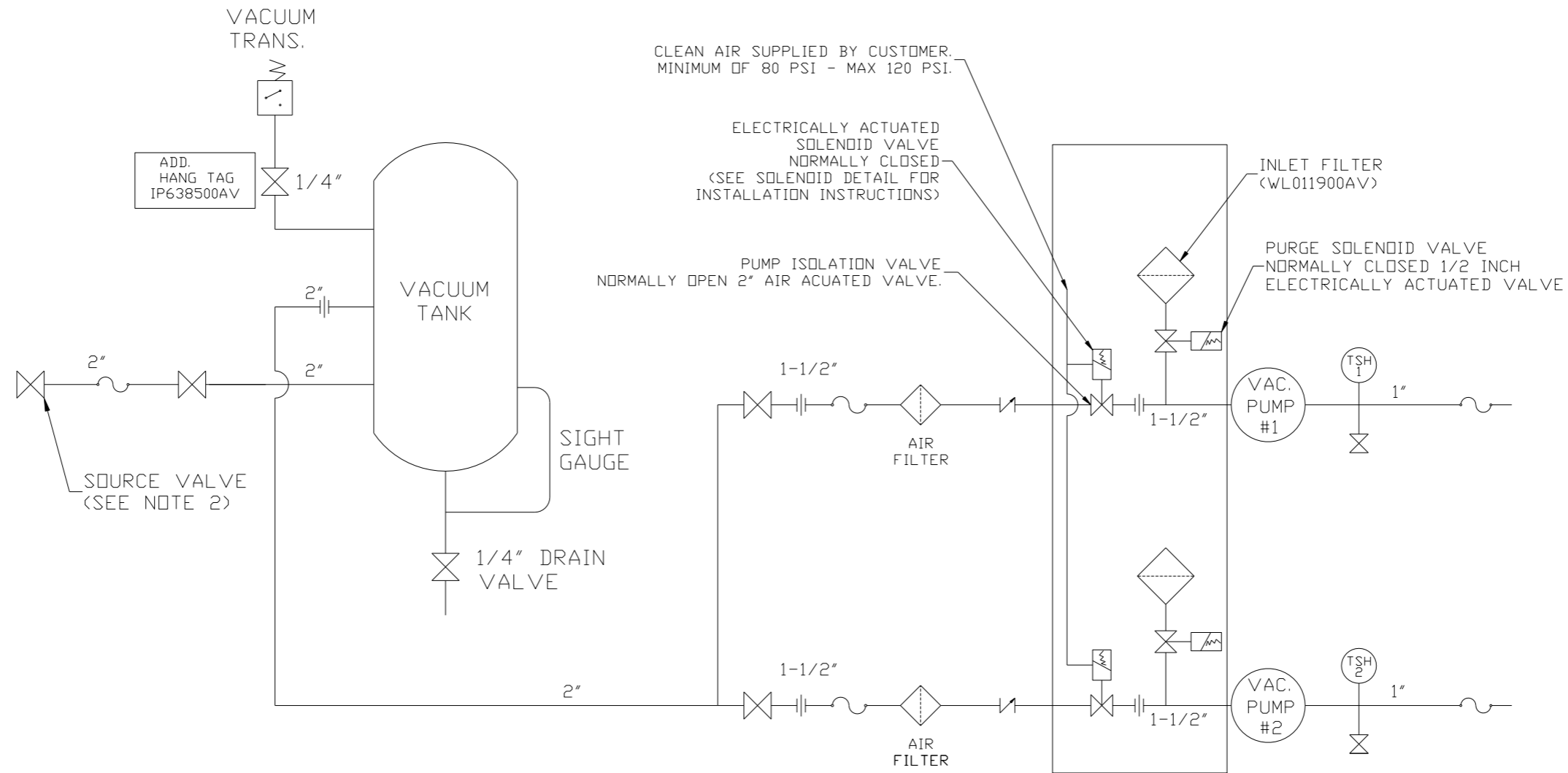
MINIMUM RECOMMENDED MAINTENANCE CLEARANCE



NOTE: AUTO PURGE IS OPTIONAL.

SYMBOL LEGEND		= ADDITIONAL CONTROL REQ'D		Drawings to conform to the current revision of the following ANSI standards:	
⊖	MINUS DRAFT	⊕	PLUS DRAFT	⊖	BRINELL HARDNESS
TOLERANCES NOT SPECIFIED		AUTOCAD REL2008 LT		DO NOT SCALE DRAWING FOR DIMENSIONS	
.XX ±		INCH		Sheet 1 of 2	SCALE 1:12
CONFIDENTIAL DISCLOSURE		DRAWN BY		CHECKED BY	APPROVED BY
This drawing is the property of POWEREX, INC. of the SCOTT FELTZER COMPANY and subject to return on demand. Its contents are confidential and must not be copied or submitted to outside parties for use or examination.		GES		DMS	JBC CT
MATERIAL		11/27/12		1/2/13	1/2/13
PART NAME		N/A		POWEREX	
3HP LAB CLAW VAC		150 PRODUCTION DRIVE, HARRISON, OHIO 45030		Ph: 888-769-7979 Fax: (513) 367-3125	
DUPLX VERT, 80G TANK		DWG NO		SIZE	
		LCVDO303		D	

REV	ZONE	REVISION	DATE	ECN	NAME	CHKD
B-1	ALL	RELEASE TO PRODUCTION	1/2/13	PXEC003	GES	DMS
C-1	ALL	MOVED PBM INLET FAN TO OPPOSITE SIDE OF PANEL ENCLOSURE	2/12/15	PXEC009	AEK	GES
D-1	ALL	UPDATED TO PUMP WITH NEMA RATED MOTOR	11/16/16	PXEC0149	AEK	GES



CLEAN AIR SUPPLIED BY CUSTOMER.  
MINIMUM OF 80 PSI - MAX 120 PSI.

ELECTRICALLY ACTUATED  
SOLENOID VALVE  
NORMALLY CLOSED  
(SEE SOLENOID DETAIL FOR  
INSTALLATION INSTRUCTIONS)

PUMP ISOLATION VALVE  
NORMALLY OPEN 2" AIR ACUATED VALVE.

INLET FILTER  
(WL011900AV)

PURGE SOLENOID VALVE  
NORMALLY CLOSED 1/2 INCH  
ELECTRICALLY ACTUATED VALVE

ADD.  
HANG TAG  
IP638500AV

VACUUM  
TRANS.

VACUUM  
TANK

SIGHT  
GAUGE

1/4" DRAIN  
VALVE

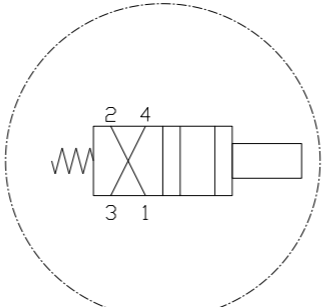
SOURCE VALVE  
(SEE NOTE 2)

NOTE:  
A 1/4 INCH VENT PLUG IS  
LOCATED IN THE FILTER HOUSING.

AUTO PURGE  
IS OPTIONAL

LEGEND

	TEMP. SWITCH		VACUUM SWITCH
	BUTTERFLY VALVE		CHECK VALVE
	AIR FILTER		FLEX LINE
	BALL VALVE		UNION

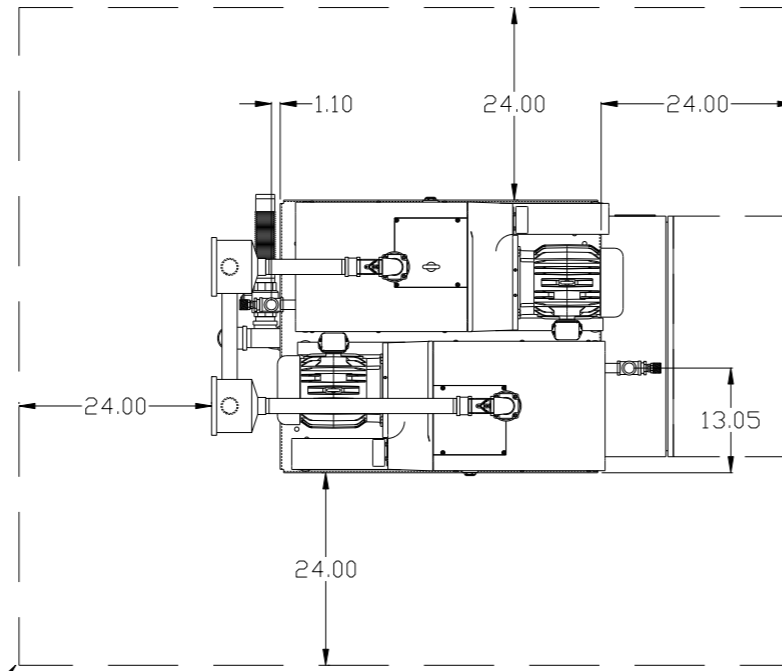


SOLENOID DETAIL:  
1) VALVE - INPUT #1  
2) MUFFLER - INPUT #2  
3) SUPPLY AIR - INPUT #4

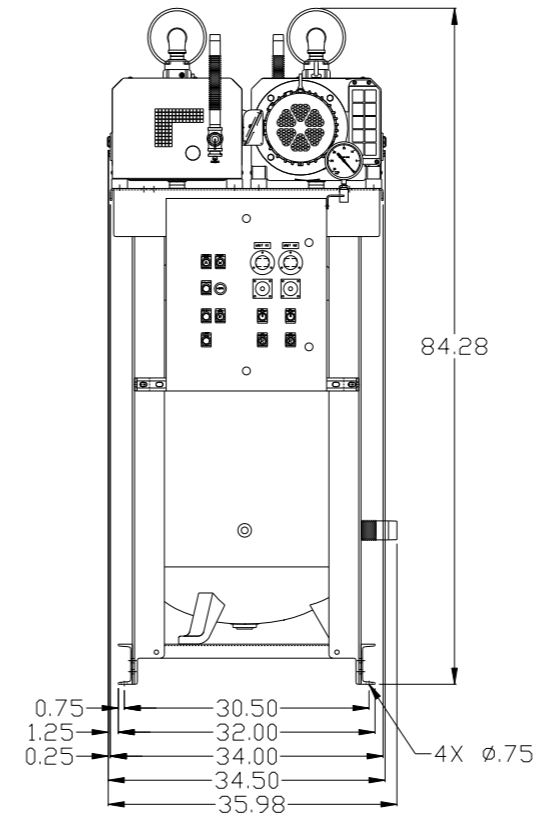
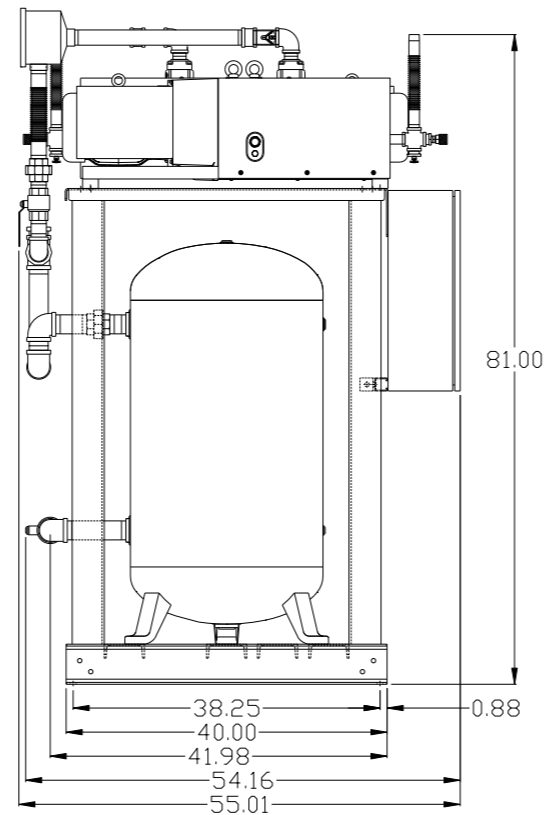
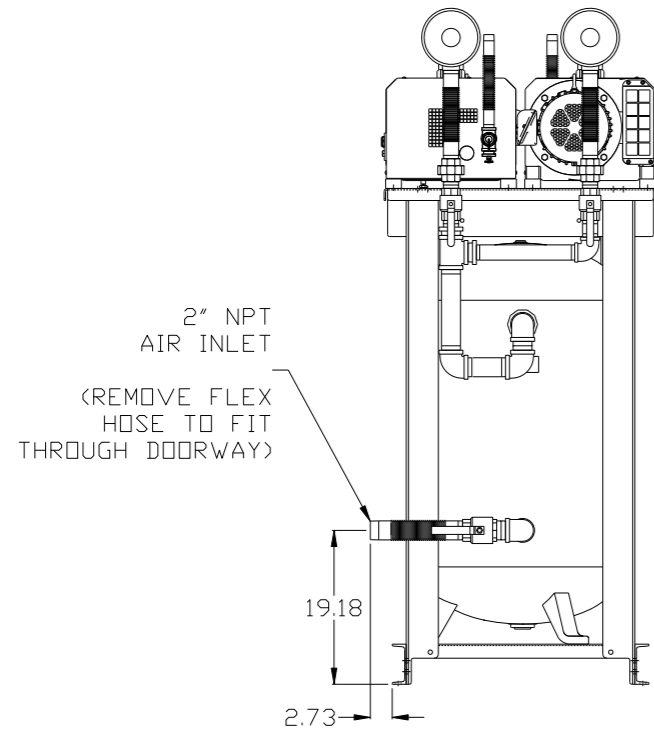
NOTE:  
1) TSH - TEMPERATURE SWITCH HIGH  
2) PER NFPA THE SYSTEM WILL REQUIRE A SOURCE VALVE (SUPPLIED BY OTHERS).

SYMBOL LEGEND		= ADDITIONAL CONTROL REQ'D		Drawings to conform to the current revision of the following ANSI standards:	
⊖	MINUS DRAFT	⊕	PLUS DRAFT	⊖	Y14.3 Multi and sectional view dgs.
⊕	PLUS DRAFT	⊖	MINUS DRAFT	⊕	Y14.5M Dimensioning and tolerancing
TOLERANCES NOT SPECIFIED		AUTOCAD REL2008 LT		DO NOT SCALE DRAWING FOR DIMENSIONS	
.XX ±		INCH		Sheet 2 of 2	SCALE 1:12
.XXX ±					
< < DEG > ±					
CONFIDENTIAL DISCLOSURE					
This drawing is the property of POWEREX, INC. of the SCOTT FETZER COMPANY and subject to return on demand. Its contents are confidential and must not be copied or submitted to outside parties for use or examination.					
DRAWN BY		CHECKED BY		APPROVED BY	
GES		DMS		JBC CT	
11/27/12		1/2/13		1/2/13 1/2/13	
MATERIAL N/A					
PART NAME					
LAB CLAW VAC DUPLEX					
FLOW SCHEMATIC					
DWG NO				SIZE	
LCVDO303				D	

REV	ZONE	REVISION	DATE	ECN	NAME	CHKD
B-1	ALL	RELEASE TO PRODUCTION	1/2/13	PXEC0003	GES	DMS
C-1	ALL	MOVED PPM INLET FAN TO OPPOSITE SIDE OF PANEL ENCLOSURE	2/12/15	PXEC0093	AEX	GES
D-1	ALL	UPDATED TO PUMP WITH NEMA RATED MOTOR	11/16/16	PXEC0149	ACK	GES

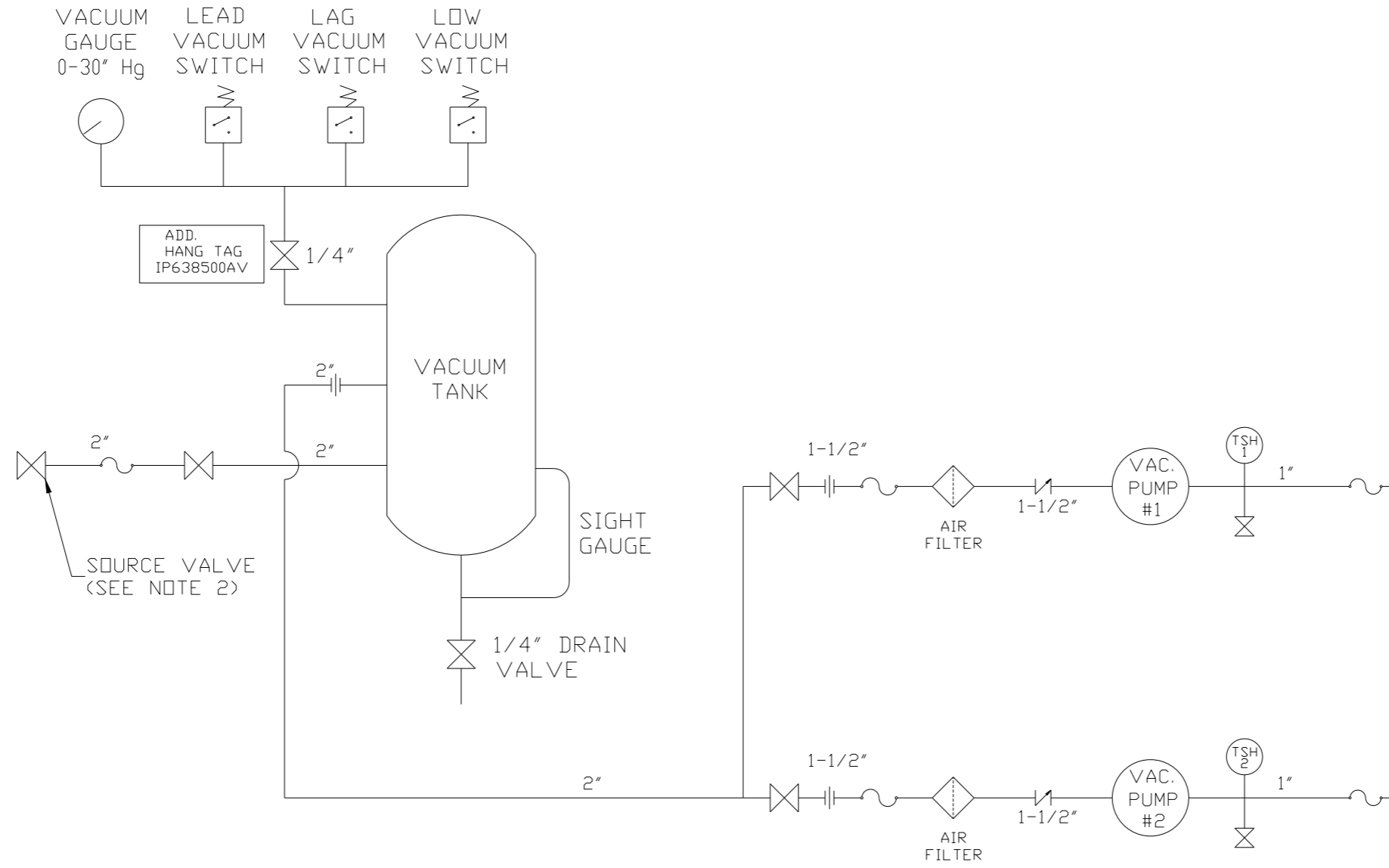


MINIMUM RECOMMENDED MAINTENANCE CLEARANCE



SYMBOL LEGEND		= ADDITIONAL CONTROL REQ'D		Drawings to conform to the current revision of the following ANSI standards:	
⊖	MINUS DRAFT	⊕	PLUS DRAFT	Ⓜ	BRINELL HARDNESS
TOLERANCES NOT SPECIFIED		AUTOCAD REL2008 LT		DO NOT SCALE DRAWING FOR DIMENSIONS	
.XX ±		INCH		Sheet 1 of 2	SCALE 1:12
CONFIDENTIAL DISCLOSURE: This drawing is the property of POWEREX, INC. of the SCOTT FETZER COMPANY and subject to return on demand. Its contents are confidential and must not be copied or submitted to outside parties for use or examination.					
DRAWN BY		CHECKED BY		APPROVED BY	
GES		DMS		JBC CT	
11/27/12		1/2/13		1/2/13 1/2/13	
MATERIAL		N/A		 150 PRODUCTION DRIVE, HARRISON, OHIO 45030 Ph: 888-769-7979 FAX: (513) 367-3125	
PART NAME		3HP LAB CLAW VAC		SIZE D	
DUPLX VERT, 80G TANK		LCVD0303		DWG NO	

REV	ZONE	REVISION	DATE	ECN	NAME	CHKD
B-1	ALL	RELEASE TO PRODUCTION	1/2/13	PXEC0003	GES	DMS
C-1	ALL	MOVED PPM INLET FAN TO OPPOSITE SIDE OF PANEL ENCLOSURE	2/12/15	PXEC0093	AEK	GES
B-1	ALL	UPDATED TO PUMP WITH NEMA RATED MOTOR	11/16/16	PXEC0149	AEK	GES



NOTE:  
A 1/4 INCH VENT PLUG IS  
LOCATED IN THE FILTER HOUSING.

LEGEND

	TEMP. SWITCH		VACUUM SWITCH
	BUTTERFLY VALVE		CHECK VALVE
	AIR FILTER		FLEX LINE
	BALL VALVE		UNION

NOTE:  
1) TSH - TEMPERATURE SWITCH HIGH  
2) PER NFPA THE SYSTEM WILL REQUIRE A SOURCE VALVE (SUPPLIED BY OTHERS).

SYMBOL LEGEND			= ADDITIONAL CONTROL REQ'D	Drawings to conform to the current revision of the following ANSI standards.	
⊖ = MINUS DRAFT			= BRINELL HARDNESS	Y14.3 Multi and sectional view dsgs Y14.5M Dimensioning and tolerancing	
⊕ = PLUS DRAFT					
TOLERANCES NOT SPECIFIED		AUTOCAD REL2008 LT	DO NOT SCALE DRAWING FOR DIMENSIONS		
.XX ±	.XXX ±	INCH	Sheet 2 of 2	SCALE 1:12	
CONFIDENTIAL DISCLOSURE This drawing is the property of POWEREX, INC. of the SCOTT FETZER COMPANY and subject to return on demand. Its contents are confidential and must not be copied or submitted to outside parties for use or examination.					
DRAWN BY		CHECKED BY	APPROVED BY		MFG/MRKTG
GES		DMS	JBC	CT	
11/27/12		1/2/13	1/2/13	1/2/13	
MATERIAL		N/A			
PART NAME		LAB CLAW VAC DUPLEX			
FLOW SCHEMATIC		 150 PRODUCTION DRIVE, HARRISON, OHIO 45030 Ph: 888-769-7979 FAX: (513) 367-3125			
DWG NO		LCVD0303		SIZE D	