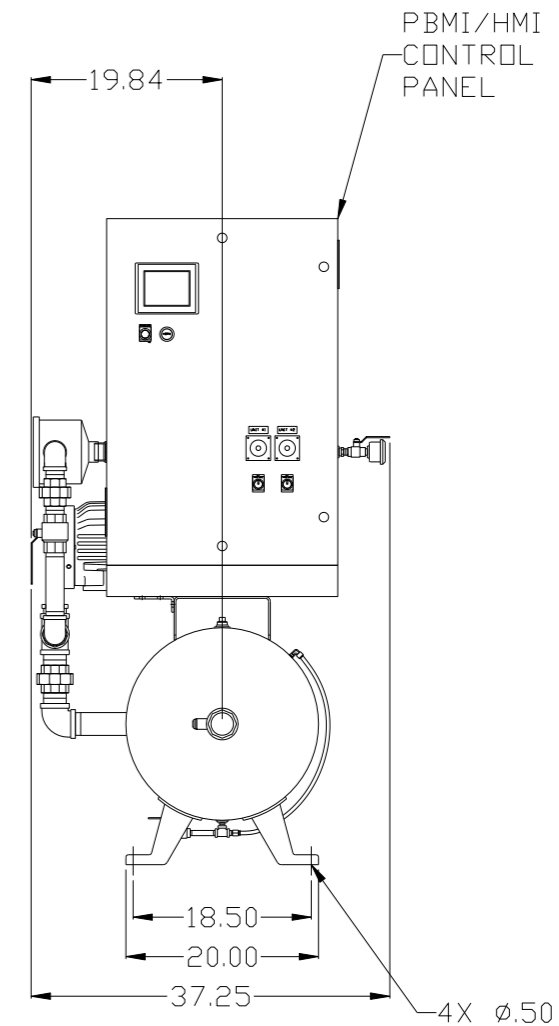
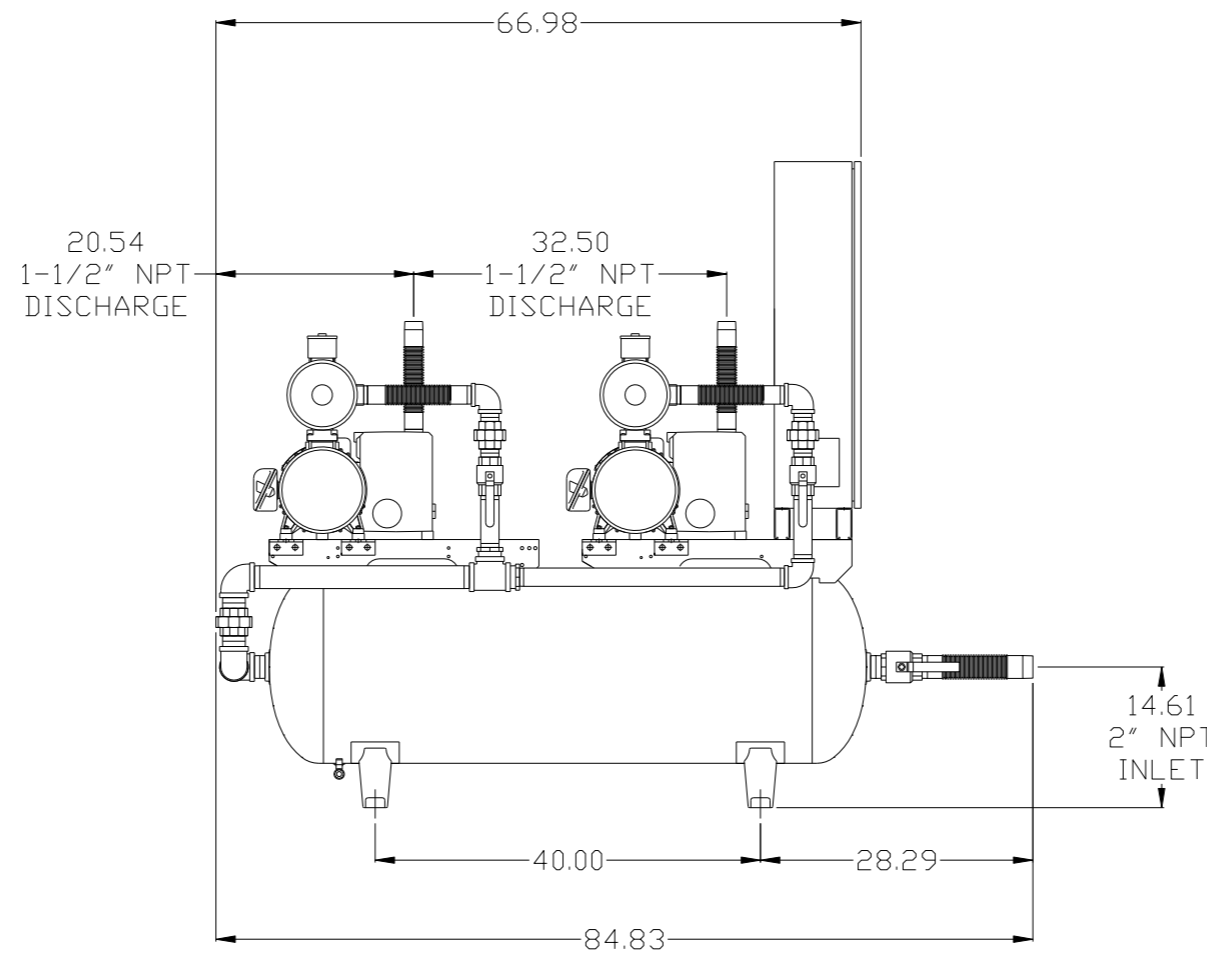
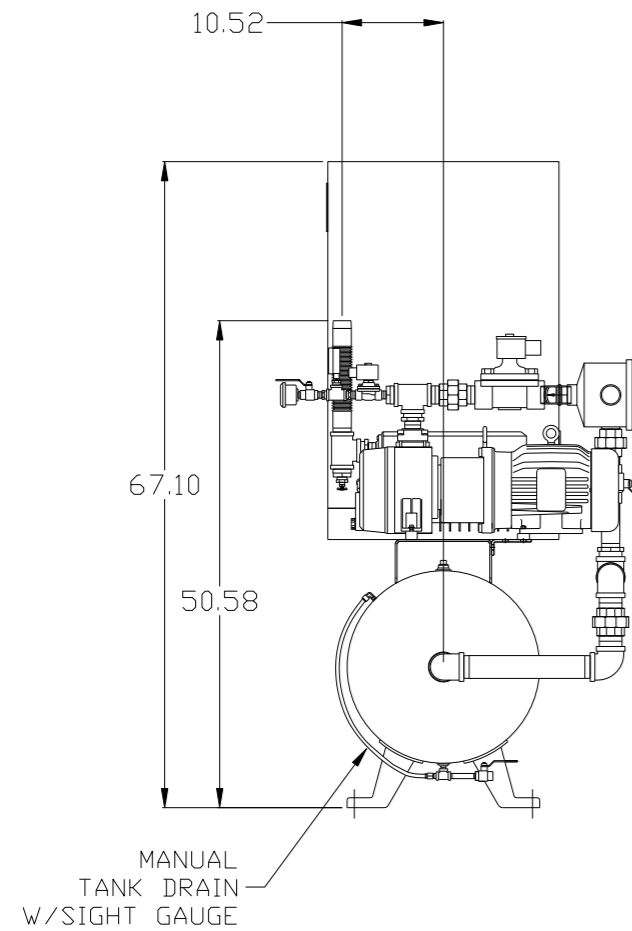


REV	ZONE	REVISION	DATE	ECN	NAME	CHKD
B-1	ALL	RELEASE TO PRODUCTION	1/2/13	PXEC0003	GES	DMS
C-1	ALL	ADDED SHEET 7-B	9/14/17	PXEC0186	MAH	GES



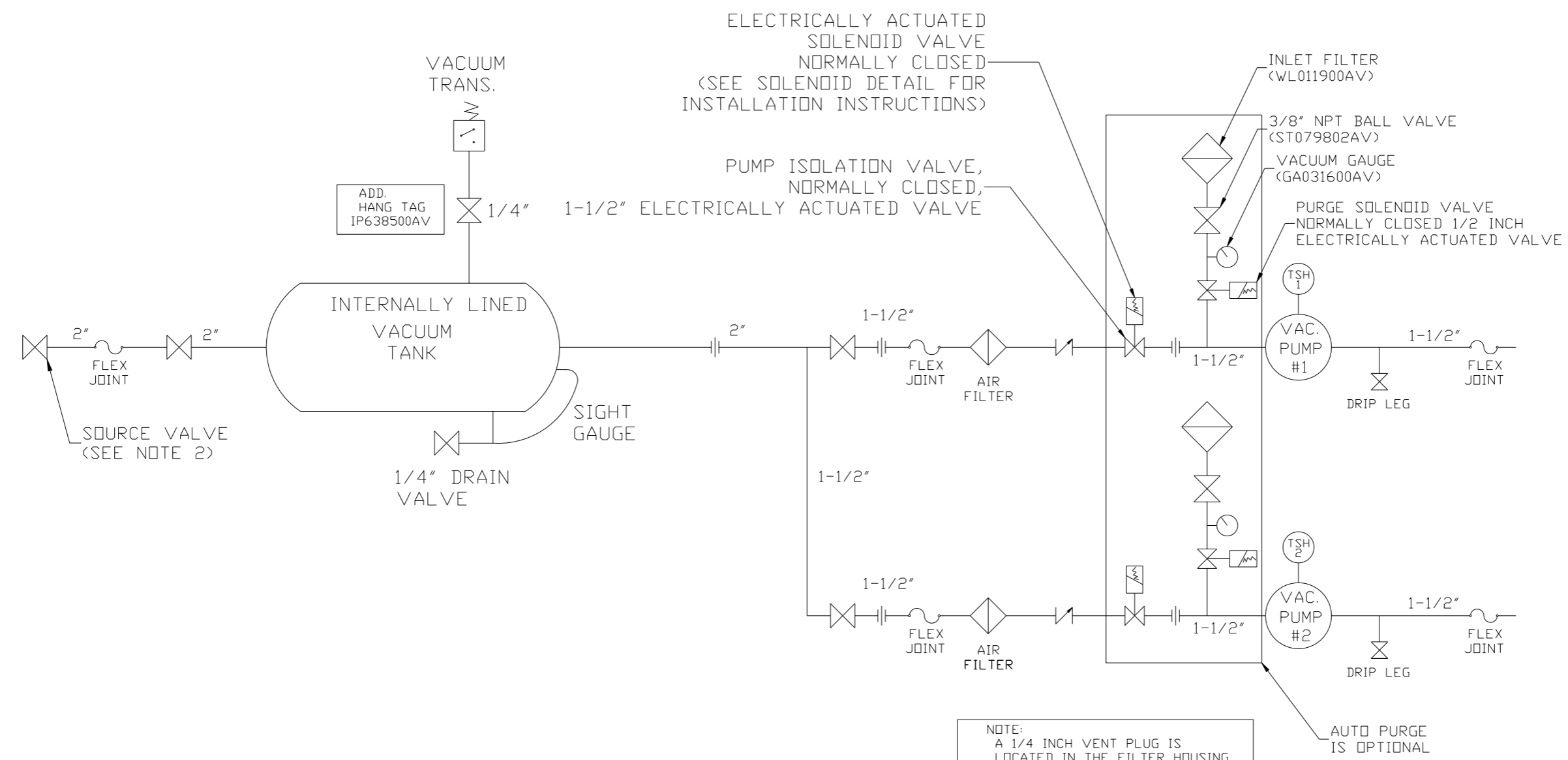
NOTE: AUTO PURGE IS OPTIONAL.

NOTE: A MINIMUM OF 24" CLEARANCE IS RECOMMENDED AROUND THE ENTIRE UNIT. THERE IS ALSO A MINIMUM RECOMMENDED ELECTRICAL PANEL CLEARANCE PER OSHA/ NEC.

NOTE: SYSTEM DESIGNED IN COMPLIANCE WITH U.S. NFPA '99, LATEST EDITION.

SYMBOL LEGEND		= ADDITIONAL CONTROL REQ'D		Drawings to conform to the current revision of the following ANSI standards:	
⊖	MINUS DRAFT	⊕	PLUS DRAFT	Ⓜ	BRINELL HARDNESS
TOLERANCES NOT SPECIFIED		AUTOCAD REL2008 LT		DO NOT SCALE DRAWING FOR DIMENSIONS	
.XX ±		INCH		Sheet 1 of 2	SCALE 1:10
<small>CONFIDENTIAL DISCLOSURE: This drawing is the property of POWEREX, INC. of the SCOTT FETZER COMPANY and subject to return on demand. Its contents are confidential and must not be copied or submitted to outside parties for use or examination.</small>					
DRAWN BY	CHECKED BY	APPROVED BY	ENGINEERING	MFG/MKTG	
GES	DMS	JBC	CT		
11/30/12	1/2/13	1/2/13	1/2/13		
MATERIAL		N/A			
PART NAME		3HP LAB VACUUM HORIZONTAL			
DUPLX 80G TANK MOUNTED		DWG NO		LVD0303	
		SIZE		D	

REV	ZONE	REVISION	DATE	ECN	NAME	CHK'D
B-1	ALL	RELEASE TO PRODUCTION	1/2/13	PXC0003	GES	DMS
C-1	ALL	ADDED SHEET 7-8	9/14/17	PXEC0186	MAH	GES



ADD.
HANG TAG
IP638500AV

NOTE:
A 1/4 INCH VENT PLUG IS
LOCATED IN THE FILTER HOUSING.

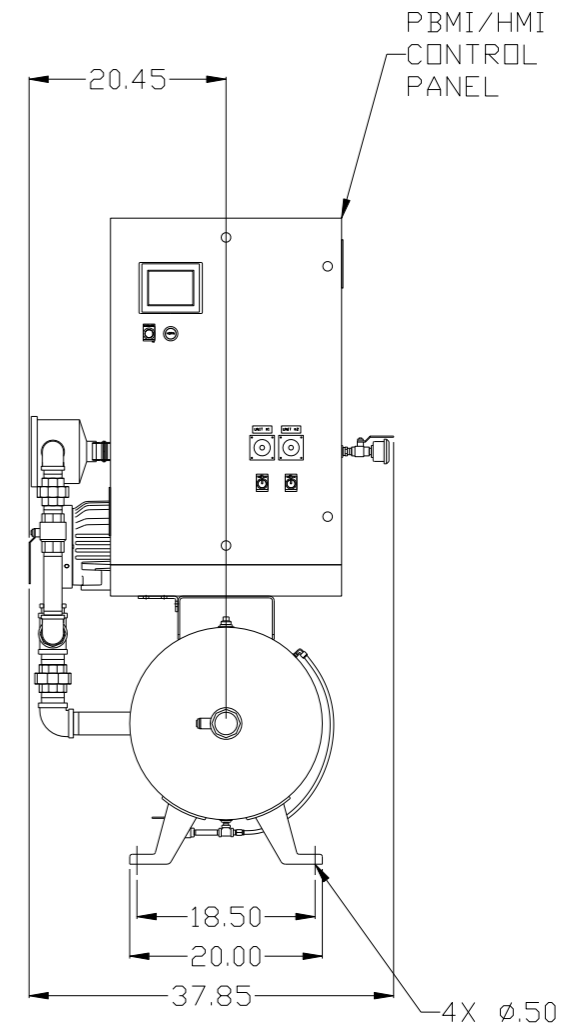
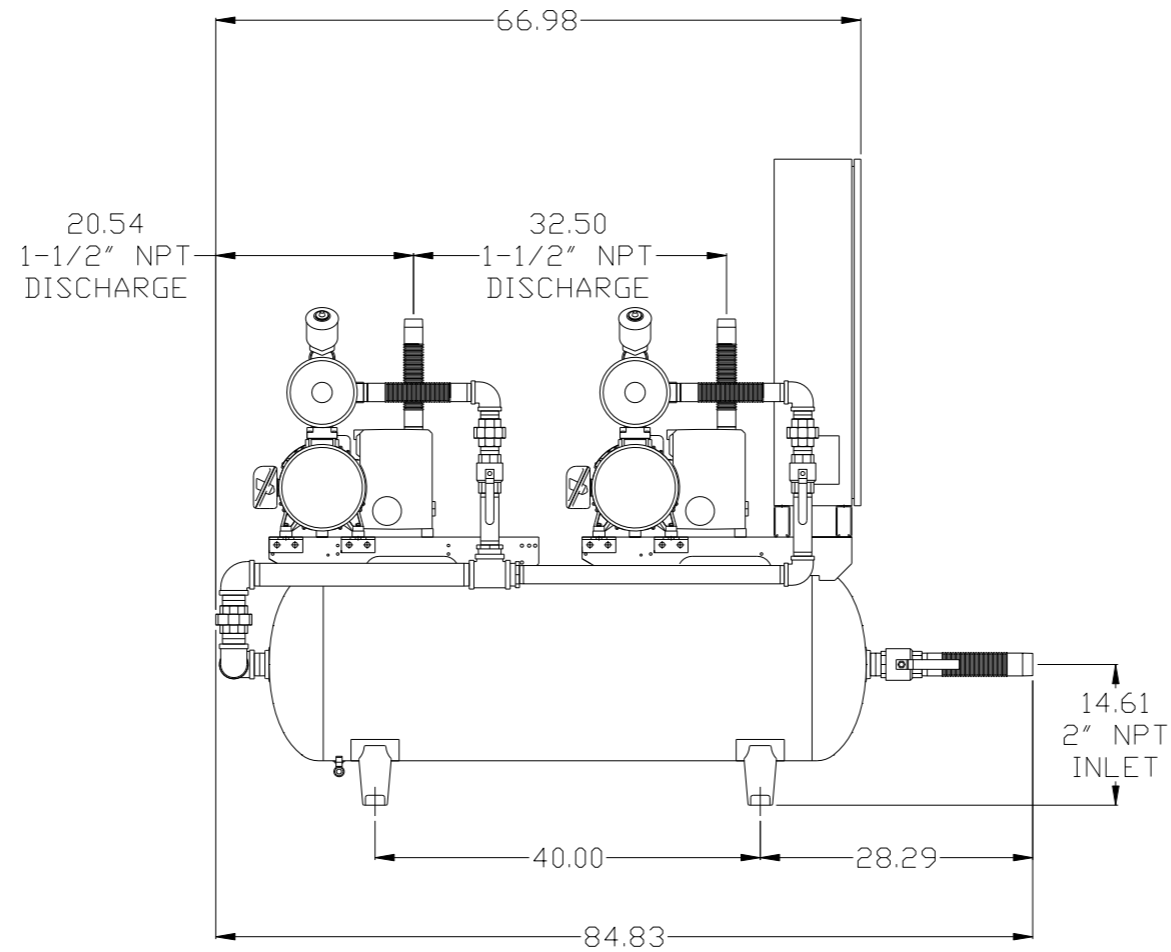
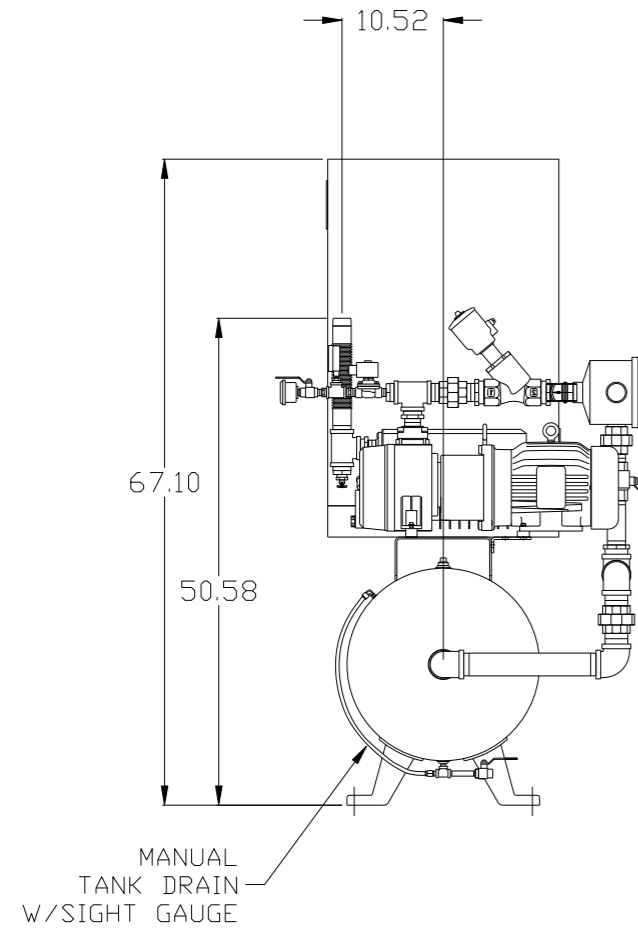
LEGEND

	TEMP. SWITCH		VACUUM SWITCH
	BUTTERFLY VALVE		CHECK VALVE
	AIR FILTER		FLEX LINE
	BALL VALVE		UNION

NOTE:
1) TSH - TEMPERATURE SWITCH HIGH
2) PER NFPA THE SYSTEM WILL REQUIRE A SOURCE VALVE (SUPPLIED BY OTHERS).

SYMBOL LEGEND			= ADDITIONAL CONTROL REQ'D		Drawings to conform to the current revision of the following ANSI standards: Y14.3 Multi and sectional view dgs. Y14.5M Dimensioning and tolerancing
	= MINUS DRAFT		= BRINELL HARDNESS		
TOLERANCES NOT SPECIFIED		AUTOCAD REL2008 LT	DO NOT SCALE DRAWING FOR DIMENSIONS		
.xx ±		INCH	Sheet 2 of 2	SCALE	1: 10
CONFIDENTIAL DISCLOSURE This drawing is the property of POWEREX, INC. of the SCOTT FETZER COMPANY and subject to return on demand. Its contents are confidential and must not be copied or submitted to outside parties for use or examination.					
DRAWN BY	CHECKED BY	APPROVED BY	MFG/MRKTG		
GES	DMS	JBC	CT		
11/30/12	1/2/13	1/2/13	1/2/13		
MATERIAL		N/A			
PART NAME		 150 PRODUCTION DRIVE, HARRISON, OHIO 45030 Ph: 888-769-7979 FAX: (513) 367-3125			
DUPLEX LAB VACUUM FLOW SCHEMATIC		DWG NO	LVDO303		SIZE
				D	

REV	ZONE	REVISION	DATE	ECN	NAME	CHKD
B-1	ALL	RELEASE TO PRODUCTION	1/2/13	PKEC0003	GES	DMS
C-1	ALL	ADDED SHEET 7-B	9/14/17	PKEC0186	MAH	GES



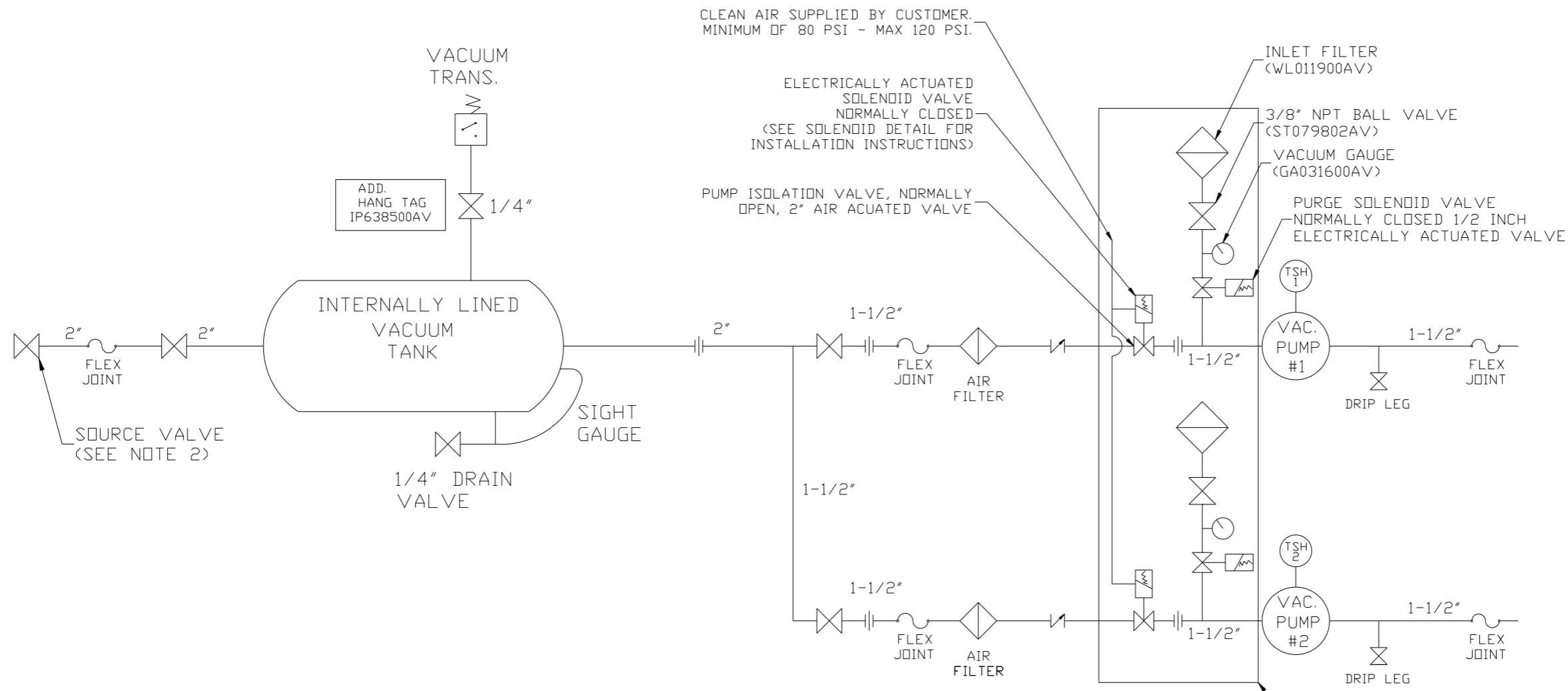
NOTE: AUTO PURGE IS OPTIONAL.

NOTE: A MINIMUM OF 24" CLEARANCE IS RECOMMENDED AROUND THE ENTIRE UNIT. THERE IS ALSO A MINIMUM RECOMMENDED ELECTRICAL PANEL CLEARANCE PER OSHA/ NEC.

NOTE: SYSTEM DESIGNED IN COMPLIANCE WITH U.S. NFPA '99, LATEST EDITION.

SYMBOL LEGEND		= ADDITIONAL CONTROL REQ'D		Drawings to conform to the current revision of the following ANSI standards:	
⊖	MINUS DRAFT	⊕	PLUS DRAFT	⊖	ANSI standards
⊕	PLUS DRAFT	⊖	MINUS DRAFT	⊕	Y14.3 Multi and sectional view dgs.
⊕	PLUS DRAFT	⊖	MINUS DRAFT	⊕	Y14.5M Dimensioning and tolerancing
TOLERANCES NOT SPECIFIED		AUTOCAD REL2008 LT		DO NOT SCALE DRAWING FOR DIMENSIONS	
.XX	±	INCH		Sheet 1 of 2	
.XXX	±			SCALE 1:10	
<DEG>	±				
CONFIDENTIAL DISCLOSURE					
This drawing is the property of POWEREX, INC. or the SCOTT FETZER COMPANY and subject to return on demand. Its contents are confidential and must not be copied or submitted to outside parties for use or examination.					
DRAWN BY		CHECKED BY		APPROVED BY	
GES		DMS		JBC CT	
11/30/12		1/2/13		1/2/13 1/2/13	
MATERIAL		N/A		POWEREX	
PART NAME		3HP LAB VACUUM HORIZONTAL		150 PRODUCTION DRIVE, HARRISON, OHIO 45030	
DUPLX 80G TANK MOUNTED		DWG NO		LVD0303	
		SIZE		D	

REV	ZONE	REVISION	DATE	ECN	NAME	CHKD
B-1	ALL	RELEASE TO PRODUCTION	1/2/13	PHL0000	GES	DMS
C-1	ALL	ADDED SHEET 7-8	9/14/17	PXEC0186	MAH	GES



CLEAN AIR SUPPLIED BY CUSTOMER.
MINIMUM OF 80 PSI - MAX 120 PSI.

ELECTRICALLY ACTUATED
SOLENOID VALVE
NORMALLY CLOSED
(SEE SOLENOID DETAIL FOR
INSTALLATION INSTRUCTIONS)

PUMP ISOLATION VALVE, NORMALLY
OPEN, 2" AIR ACUATED VALVE

INLET FILTER
(WL011900AV)

3/8" NPT BALL VALVE
(ST079802AV)

VACUUM GAUGE
(GA031600AV)

PURGE SOLENOID VALVE
NORMALLY CLOSED 1/2 INCH
ELECTRICALLY ACTUATED VALVE

ADD.
HANG TAG
IP638500AV

INTERNALLY LINED
VACUUM
TANK

SIGHT
GAUGE

1/4" DRAIN
VALVE

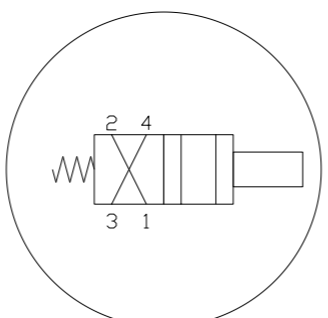
SOURCE VALVE
(SEE NOTE 2)

NOTE:
A 1/4 INCH VENT PLUG IS
LOCATED IN THE FILTER HOUSING.

AUTO PURGE
IS OPTIONAL

LEGEND

	TEMP. SWITCH		VACUUM SWITCH
	BUTTERFLY VALVE		CHECK VALVE
	AIR FILTER		FLEX LINE
	BALL VALVE		UNION

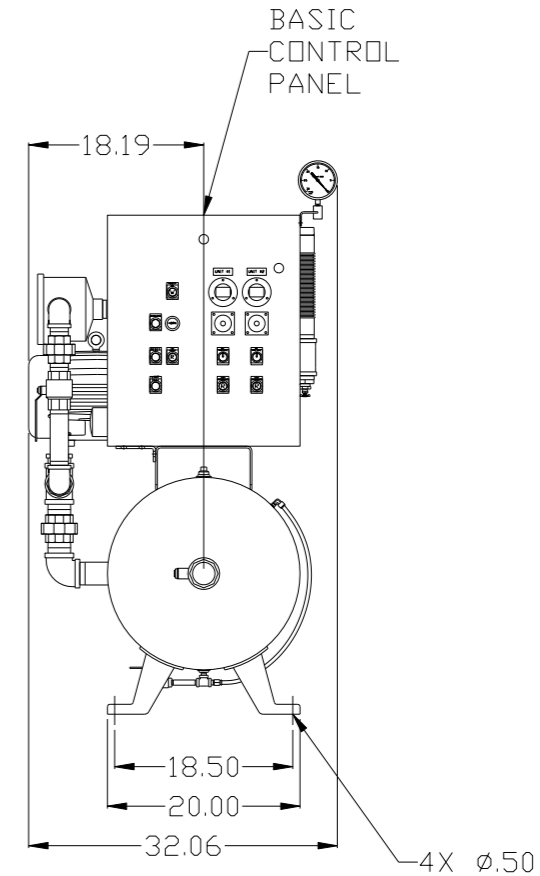
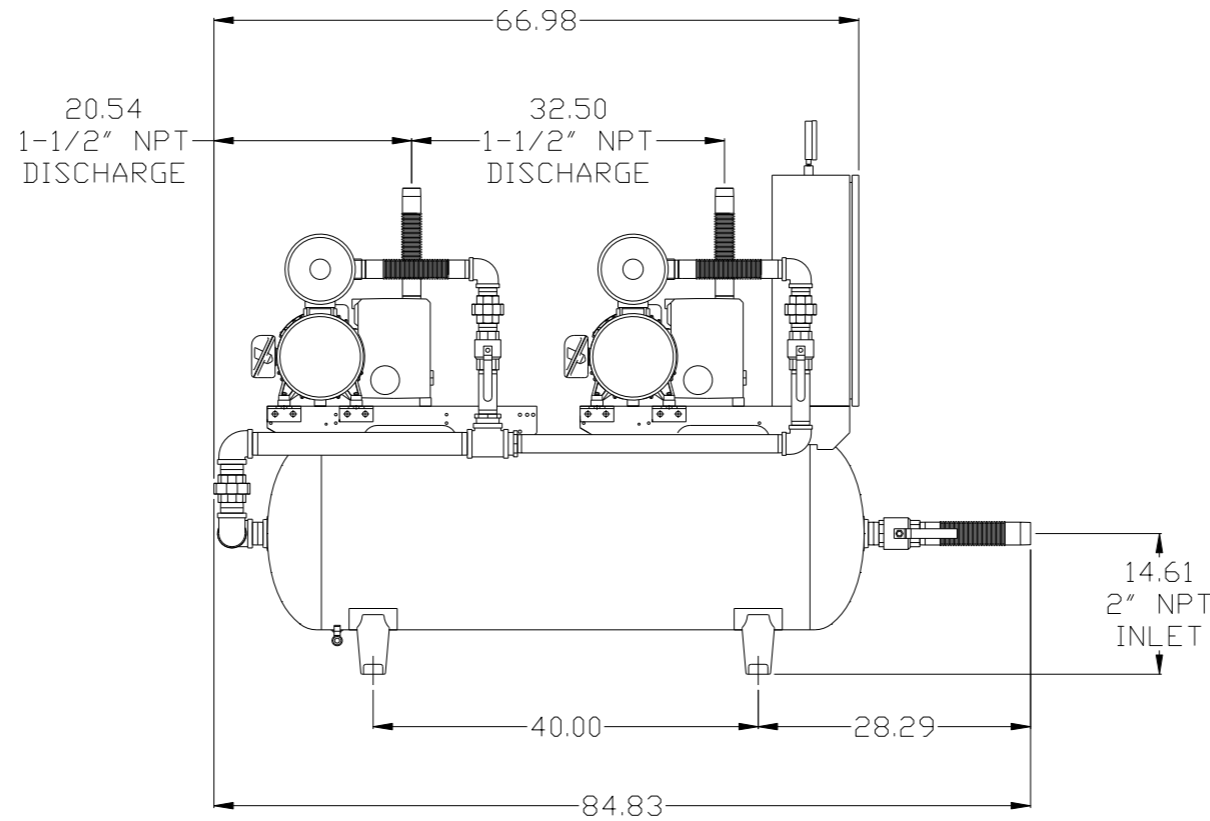
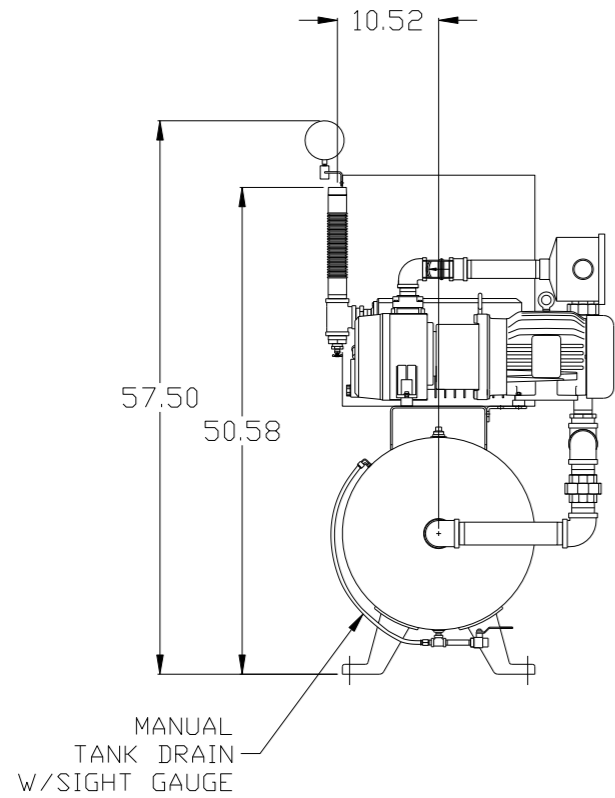


SOLENOID DETAIL:
1) VALVE - INPUT #1
2) MUFFLER - INPUT #2
3) SUPPLY AIR - INPUT #4

NOTE:
1) TSH - TEMPERATURE SWITCH HIGH
2) PER NFPA THE SYSTEM WILL REQUIRE A SOURCE VALVE (SUPPLIED BY OTHERS).

SYMBOL LEGEND			= ADDITIONAL CONTROL	Drawings to conform to the current revision of the following ANSI standards:
	= MINUS DRAFT		= REQUIRED	Y14.3 Multi and sectional view dgs.
	= PLUS DRAFT		= BRINELL HARDNESS	Y14.5M Dimensioning and tolerancing
TOLERANCES NOT SPECIFIED		AUTOCAD	REL2008 LT	DO NOT SCALE DRAWING FOR DIMENSIONS
.XX	±	INCH		Sheet 2 of 2
.XXX	±			SCALE 1:10
<<DEG.>>	±			
CONFIDENTIAL DISCLOSURE This drawing is the property of POWEREX, INC. of the SCOTT FETZER COMPANY and subject to return on demand. Its contents are confidential and must not be copied or submitted to outside parties for use or examination.				
DRAWN BY	CHECKED BY	APPROVED BY	ENGINEERING	MFG/MRKTG
GES	DMS	JBC	CT	
11/30/12	1/2/13	1/2/13	1/2/13	
MATERIAL N/A				
PART NAME DUPLIX LAB VACUUM				
DWG NO LVD0303				
SIZE D				

REV	ZONE	REVISION	DATE	ECN	NAME	CHKD
B-1	ALL	RELEASE TO PRODUCTION	1/2/13	PKE0003	GES	DMS
C-1	ALL	ADDED SHEET 7-8	9/14/17	PKE0186	MAH	GES

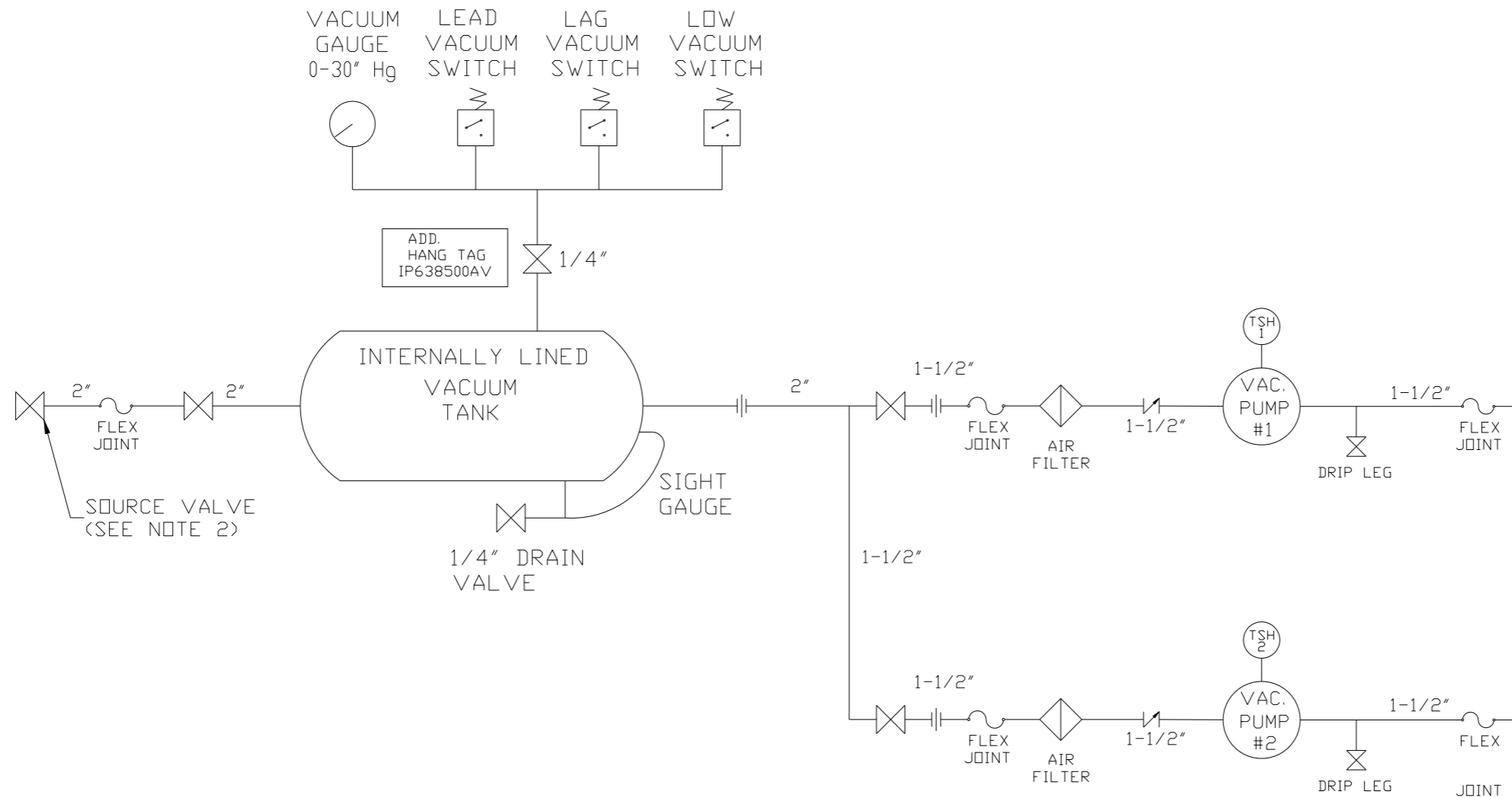


NOTE: A MINIMUM OF 24" CLEARANCE IS RECOMMENDED AROUND THE ENTIRE UNIT. THERE IS ALSO A MINIMUM RECOMMENDED ELECTRICAL PANEL CLEARANCE PER OSHA/ NEC.

NOTE: SYSTEM DESIGNED IN COMPLIANCE WITH U.S. NFPA '99, LATEST EDITION.

SYMBOL LEGEND		= ADDITIONAL CONTROL REQ'D		Drawings to conform to the current revision of the following ANSI standards.	
⊖	MINUS DRAFT	⊕	PLUS DRAFT	⊖	Y14.3 Multi and sectional view dgs.
⊕	PLUS DRAFT	⊖	MINUS DRAFT	⊕	Y14.5M Dimensioning and tolerancing
⊖	MINUS DRAFT	⊕	PLUS DRAFT	⊖	Y14.75 Brinell Hardness
⊕	PLUS DRAFT	⊖	MINUS DRAFT	⊕	Y14.75 Brinell Hardness
TOLERANCES NOT SPECIFIED		AUTOCAD REL2008 LT		DO NOT SCALE DRAWING FOR DIMENSIONS	
.XX	±	INCH		Sheet 1 of 2	
.XXX	±			SCALE 1:10	
<∠DEG>	±				
CONFIDENTIAL DISCLOSURE					
This drawing is the property of POWEREX, INC. of the SCOTT FETZER COMPANY and subject to return on demand. Its contents are confidential and must not be copied or submitted to outside parties for use or examination.					
DRAWN BY		CHECKED BY		APPROVED BY	
GES		DMS		JBC CT	
11/30/12		1/2/13		1/2/13 1/2/13	
MATERIAL		N/A			
PART NAME		3HP LAB VACUUM HORIZONTAL		150 PRODUCTION DRIVE, HARRISON, OHIO 45030 Ph: 888-769-7979 FAX: (513) 367-3125	
DWG NO		LVD0303		SIZE D	
DUPLX 80G TANK MOUNTED					

REV	ZONE	REVISION	DATE	ECN	NAME	CHKD
B-1	ALL	RELEASE TO PRODUCTION	1/2/13	PKE0003	GES	DMS
C-1	ALL	ADDED SHEET 7-8	9/14/17	PKE0186	MAH	GES



NOTE:
A 1/4 INCH VENT PLUG IS
LOCATED IN THE FILTER HOUSING.

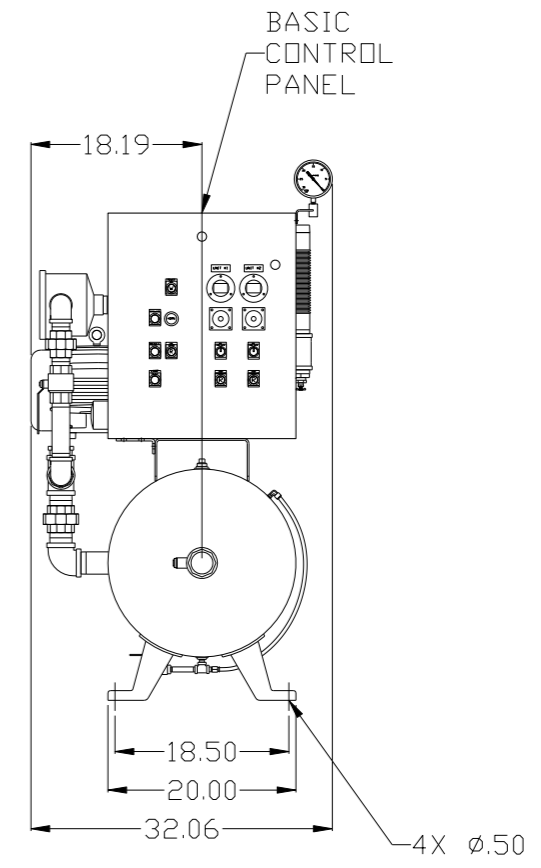
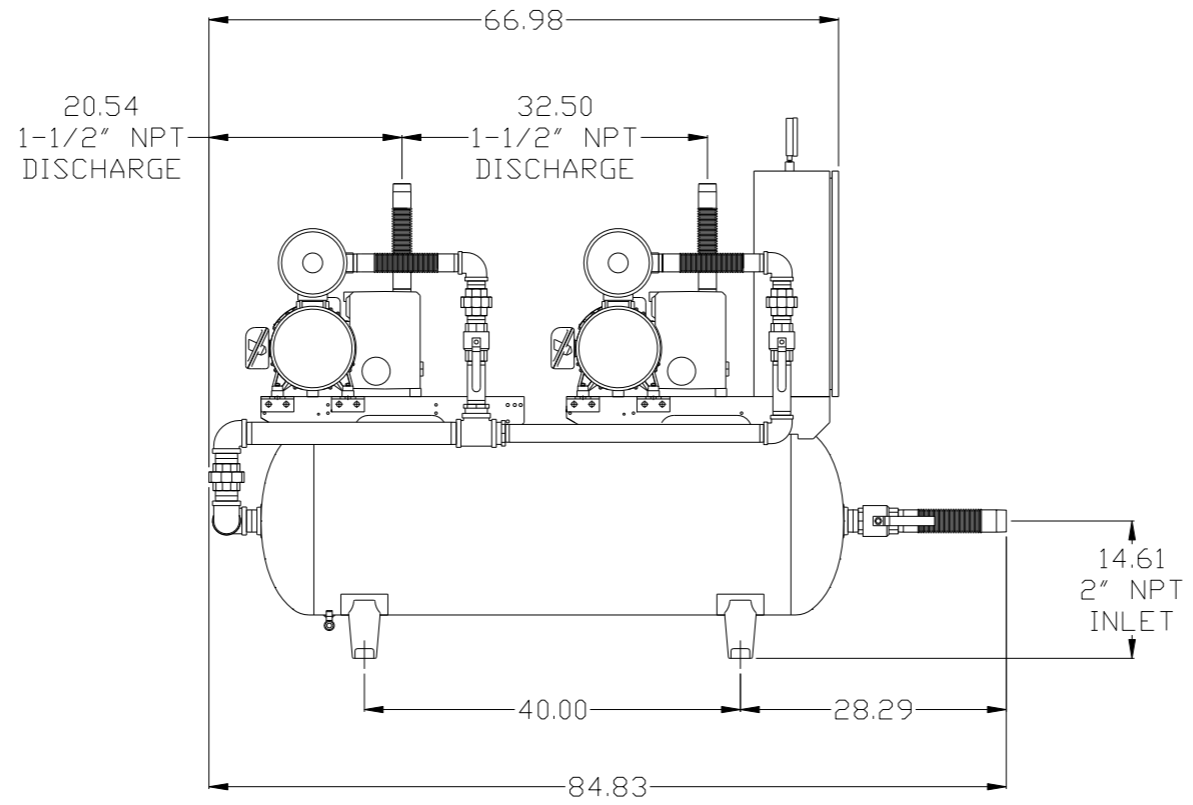
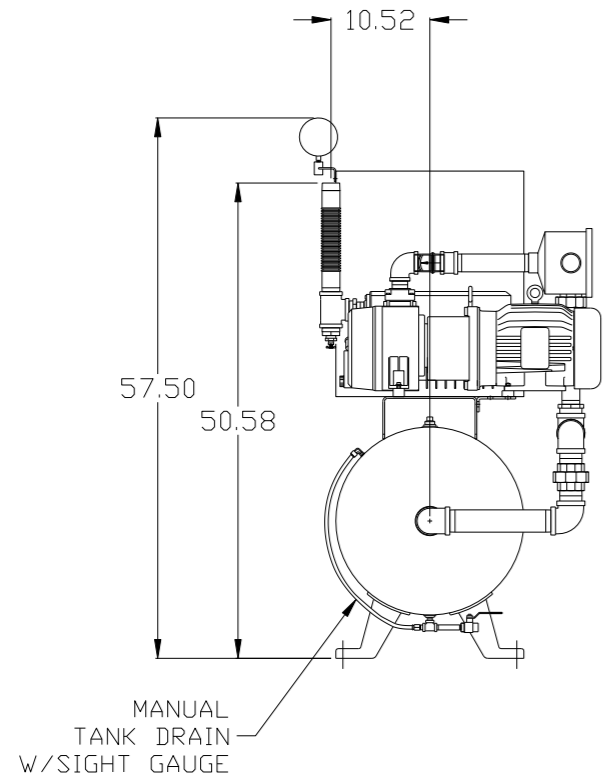
LEGEND

	TEMP. SWITCH		VACUUM SWITCH
	BUTTERFLY VALVE		CHECK VALVE
	AIR FILTER		FLEX LINE
	BALL VALVE		UNION

NOTE:
1) TSH - TEMPERATURE SWITCH HIGH
2) PER NFPA THE SYSTEM WILL REQUIRE A SOURCE VALVE (SUPPLIED BY OTHERS).

SYMBOL LEGEND = MINUS DRAFT = PLUS DRAFT		= ADDITIONAL CONTROL REQ'D = BRINELL HARDNESS		Drawings to conform to the current revision of the following ANSI standards: Y14.3 Multi and sectional view dgs. Y14.5M Dimensioning and tolerancing	
TOLERANCES NOT SPECIFIED .XX ± .XXX ± \angle(DEG.) ±		AUTOCAD REL2008 LT INCH		DO NOT SCALE DRAWING FOR DIMENSIONS Sheet 2 of 2 SCALE 1:10	
CONFIDENTIAL DISCLOSURE This drawing is the property of POWEREX, INC. of the SCOTT FETZER COMPANY and subject to return on demand. Its contents are confidential and must not be copied or submitted to outside parties for use or examination.					
DRAWN BY GES		CHECKED BY DMS		APPROVED BY ENGINEERING MFG/MKTG JBC CT	
MATERIAL N/A		11/30/12 1/2/13 1/2/13 1/2/13		 150 PRODUCTION DRIVE, HARRISON, OHIO 45030 Ph: 888-769-7979 FAX: (513) 367-3125	
PART NAME DUPLEX LAB VACUUM FLOW SCHEMATIC				DWG NO LVD0303 SIZE D	

REV	ZDNE	REVISION	DATE	ECN	NAME	CHKD
B-1	ALL	RELEASE TO PRODUCTION	1/2/13	PXC0003	GES	DMS
C-1	ALL	ADDED SHEET 7-8	9/14/17	PXC0106	MAH	GES

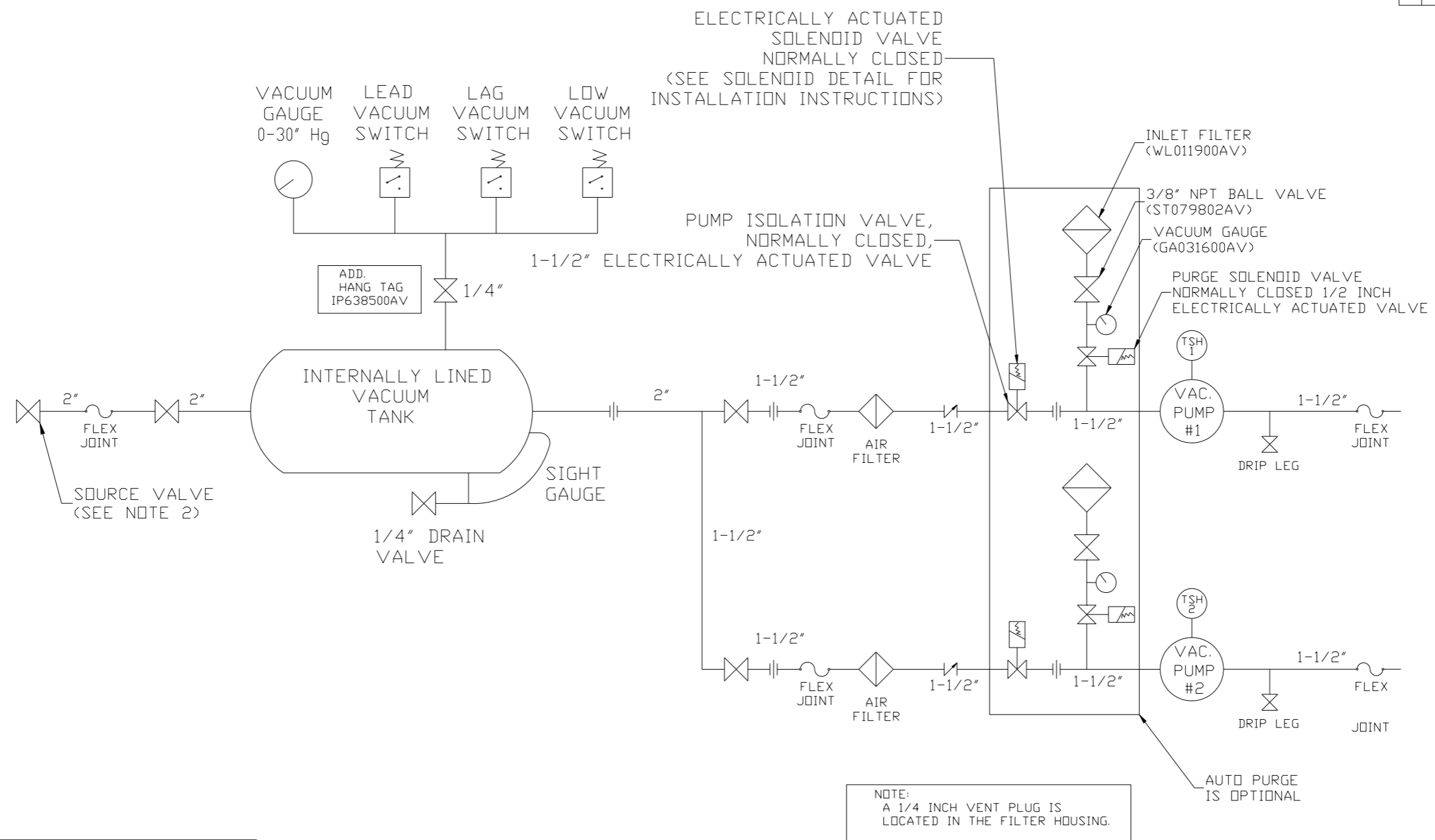


NOTE: A MINIMUM OF 24" CLEARANCE IS RECOMMENDED AROUND THE ENTIRE UNIT. THERE IS ALSO A MINIMUM RECOMMENDED ELECTRICAL PANEL CLEARANCE PER OSHA/ NEC.

NOTE: SYSTEM DESIGNED IN COMPLIANCE WITH U.S. NFPA '99, LATEST EDITION.

SYMBOL LEGEND ⊖ = MINUS DRAFT ⊕ = PLUS DRAFT ⊕ = ADDITIONAL CONTROL REQ'D HRC = BRINELL HARDNESS		Drawings to conform to the current revision of the following ANSI standards: Y14.3 Multi and sectional view dgs. Y14.5M Dimensioning and tolerancing	
TOLERANCES NOT SPECIFIED .XX ± .XXX ± << DEG ±		AUTOCAD REL2008 LT INCH DO NOT SCALE DRAWING FOR DIMENSIONS	
CONFIDENTIAL DISCLOSURE This drawing is the property of POWEREX, INC. of the SCOTT FETZER COMPANY and subject to return on demand. Its contents are confidential and must not be copied or submitted to outside parties for use or examination.		Sheet 1 of 2 SCALE 1:10	
MATERIAL N/A		DRAWN BY: GES CHECKED BY: DMS APPROVED BY: JBC MFG/MKTG: CT 11/30/12 1/2/13 1/2/13 1/2/13	
PART NAME 3HP LAB VACUUM HORIZONTAL DUPLEX 80G TANK MOUNTED		 150 PRODUCTION DRIVE, HARRISON, OHIO 45030 Ph: 888-769-7979 FAX: (513) 367-3125	
DWG NO LVDO303		SIZE D	

REV	ZONE	REVISION	DATE	ECN	NAME	CHKD
B-1	ALL	RELEASE TO PRODUCTION	1/2/13	PHE0003	GES	DMS
C-1	ALL	ADDED SHEET 7-B	9/14/17	PXEC0186	MAH	GES



NOTE:
A 1/4 INCH VENT PLUG IS
LOCATED IN THE FILTER HOUSING.

LEGEND

	TEMP. SWITCH		VACUUM SWITCH
	BUTTERFLY VALVE		CHECK VALVE
	AIR FILTER		FLEX LINE
	BALL VALVE		UNION

NOTE:
1) TSH - TEMPERATURE SWITCH HIGH
2) PER NFPA THE SYSTEM WILL REQUIRE A SOURCE VALVE (SUPPLIED BY OTHERS).

SYMBOL LEGEND		DRAWINGS TO CONFORM TO THE FOLLOWING ANSI STANDARDS	
	= MINUS DRAFT		= ADDITIONAL CONTROL REQ'D
	= PLUS DRAFT		= BRINELL HARDNESS
TOLERANCES NOT SPECIFIED		DO NOT SCALE DRAWING FOR DIMENSIONS	
.XX ±	AUTOCAD REL2008 LT	Sheet 2 of 2	
.XXX ±	INCH	SCALE 1:10	
<<DEG.> ±			
CONFIDENTIAL DISCLOSURE This drawing is the property of POWEREX, INC. of the SCOTT FETZER COMPANY and subject to return on demand. Its contents are confidential and must not be copied or submitted to outside parties for use or examination.			
DRAWN BY	CHECKED BY	APPROVED BY	MFG/MKTG
GES	DMS	JBC	CT
1/2/13	1/2/13	1/2/13	1/2/13
MATERIAL N/A			
PART NAME		150 PRODUCTION DRIVE, HARRISON, OHIO 45030 Ph: 888-769-7979 FAX: (513) 367-3125	
DUPLX LAB VACUUM FLOW SCHEMATIC		DWG NO	SIZE
		LVD0303	D

8 7 6 5 4 3 2 1

8 7 6 5 4 3 2 1

LVD0303.dwg