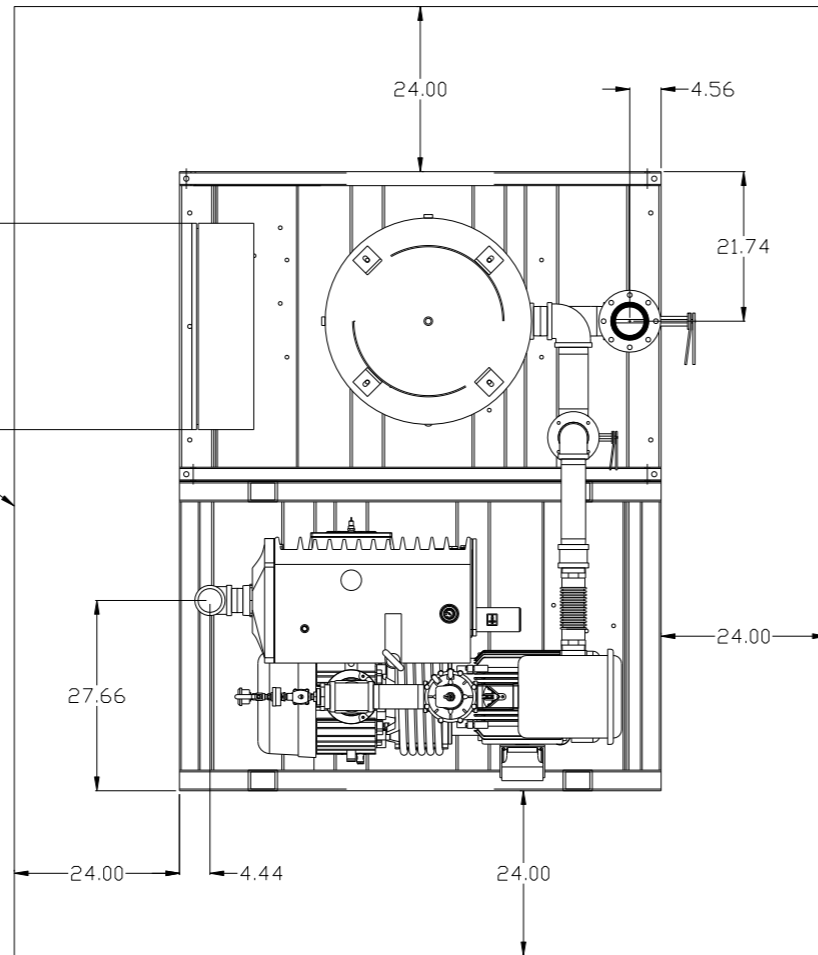


REV	ZONE	REVISION	DATE	ECN	NAME	CHKD
B-1	ALL	RELEASE TO PRODUCTION	1/2/13	PREC003	GES	DMS

MINIMUM RECOMMENDED ELECTRICAL PANEL CLEARANCE PER OSHA/ NEC

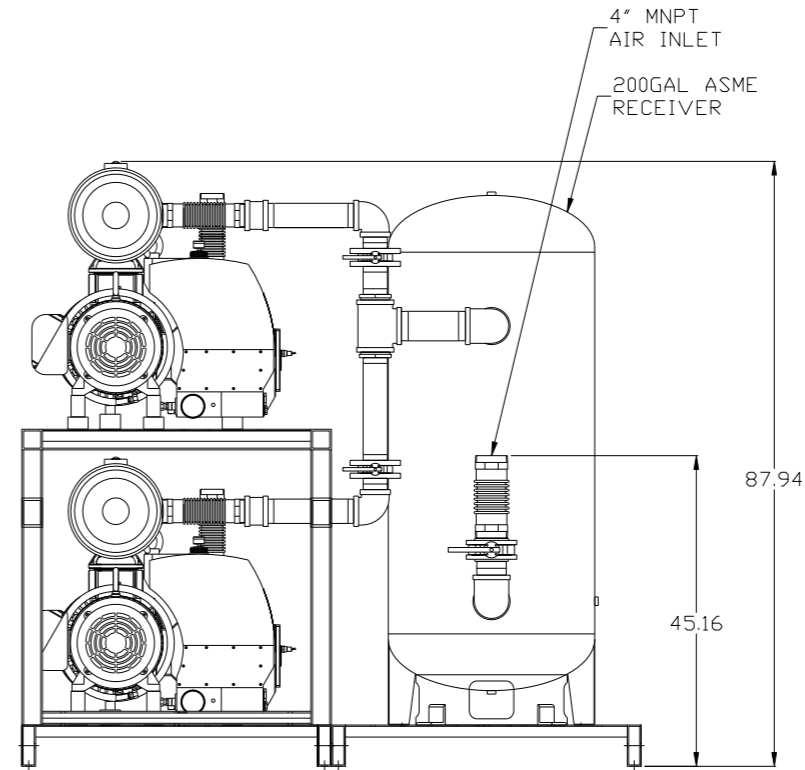
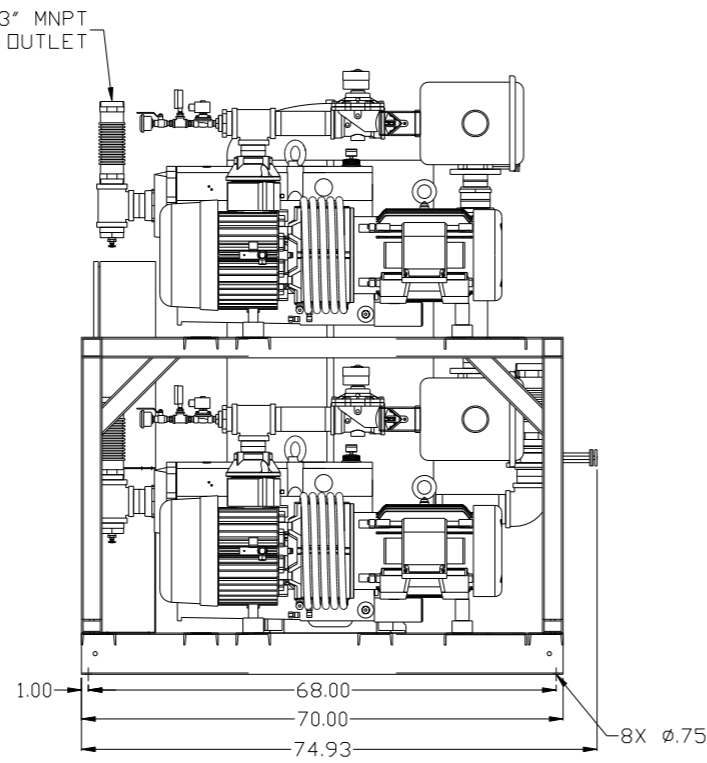
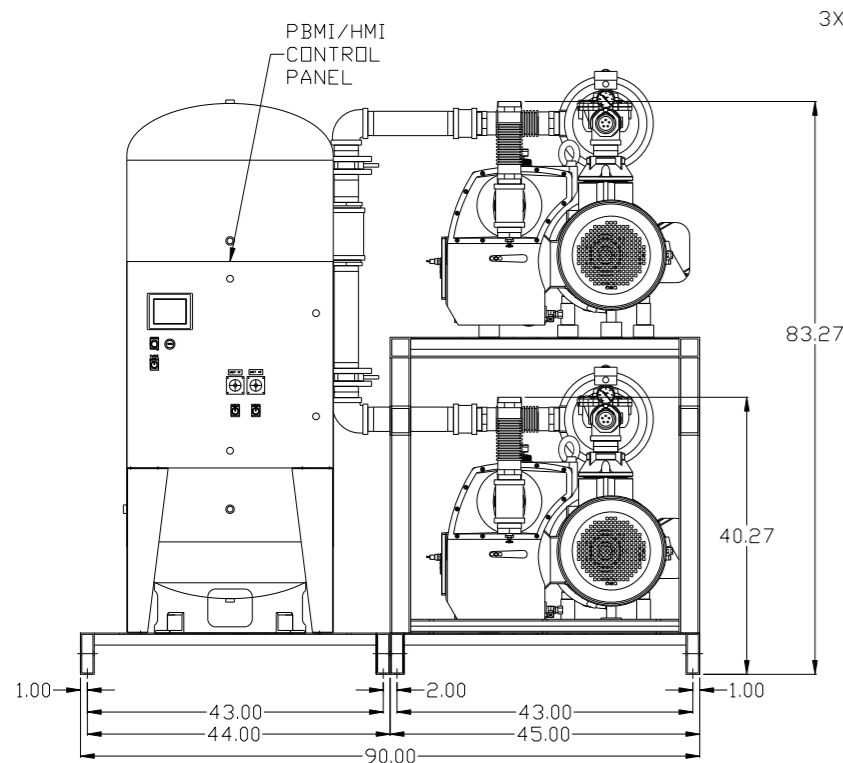
MINIMUM RECOMMENDED MAINTENANCE CLEARANCE



PBMI/HMI CONTROL PANEL

3X 3" MNPT OUTLET

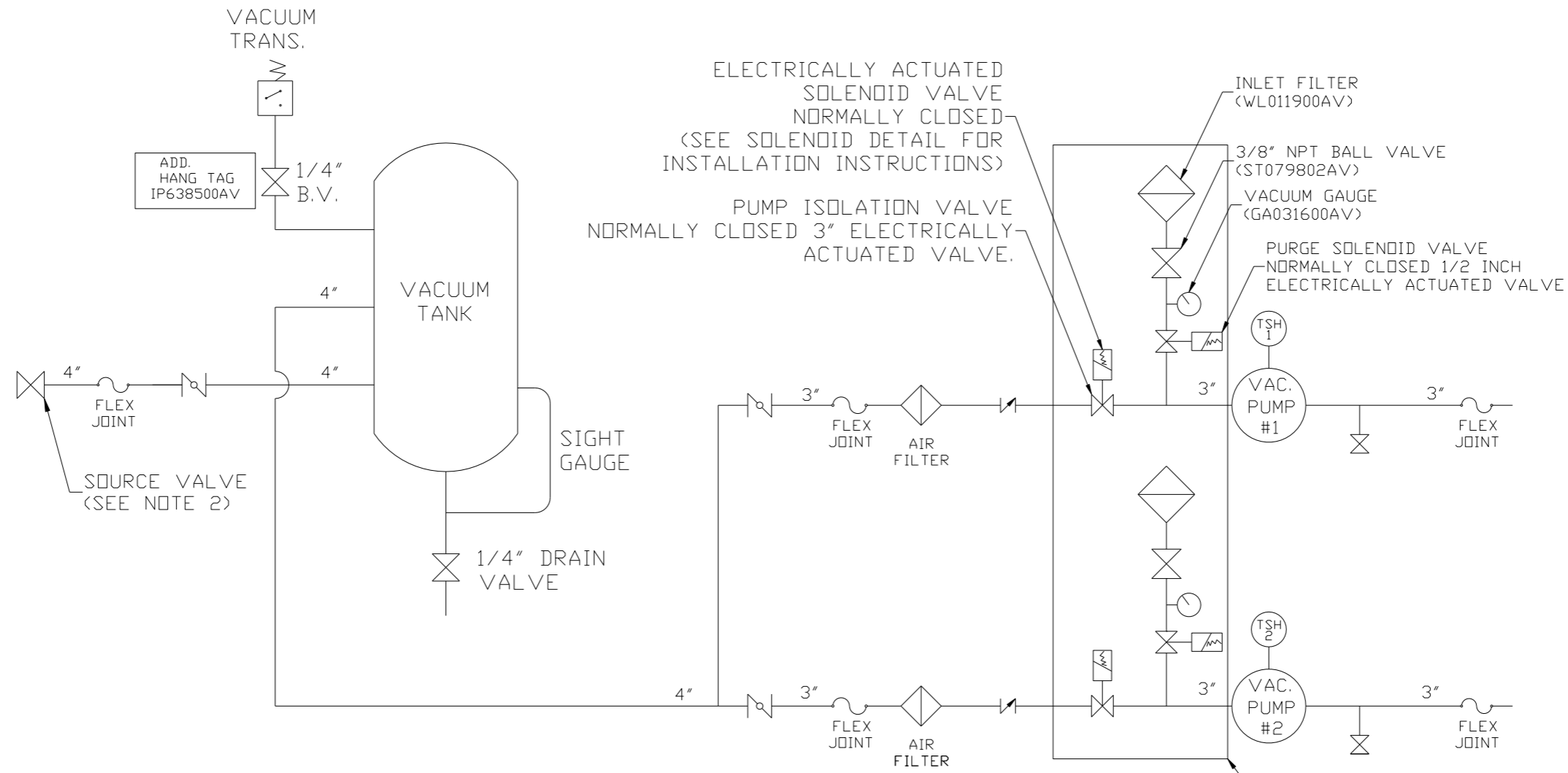
4" MNPT AIR INLET
200GAL ASME RECEIVER



NOTE: AUTO PURGE IS OPTIONAL.

SYMBOL LEGEND ⊖ = MINUS DRAFT ⊕ = PLUS DRAFT TOLERANCES NOT SPECIFIED .XX ± .XXX ± \angle (DEG) ±		= ADDITIONAL CONTROL REQ'D = BRINELL HARDNESS		Drawings to conform to the current revision of the following ANSI standards: Y14.3 Multi and sectional view dgs. Y14.5M Dimensioning and tolerancing
AUTOCAD REL2008 LT INCH		DO NOT SCALE DRAWING FOR DIMENSIONS Sheet 1 of 2 SCALE 1:14		
CONFIDENTIAL DISCLOSURE This drawing is the property of POWEREX, INC. of the SCOTT FEITZER COMPANY and subject to return on demand. Its contents are confidential and must not be copied or submitted to outside parties for use or examination.		DRAWN BY GES	CHECKED BY DMS	APPROVED BY JBC CT
MATERIAL N/A		11/14/12	1/2/13	1/2/13 1/2/13
PART NAME 15HP LAB VACUUM 200G DUPLEX		POWEREX 150 PRODUCTION DRIVE, HARRISON, OHIO 45030 Ph 888-769-7979 Fax (513) 367-3125		DWG NO LVPD1505 SIZE D

REV	ZONE	REVISION	DATE	ECN	NAME	CHKD
B-1	ALL	RELEASE TO PRODUCTION	1/2/13	PREC003	GES	DMS



ELECTRICALLY ACTUATED SOLENOID VALVE NORMALLY CLOSED (SEE SOLENOID DETAIL FOR INSTALLATION INSTRUCTIONS)

PUMP ISOLATION VALVE NORMALLY CLOSED 3" ELECTRICALLY ACTUATED VALVE.

NOTE:
A 1/4 INCH VENT PLUG IS LOCATED IN THE FILTER HOUSING.

AUTO PURGE IS OPTIONAL

LEGEND

	TEMP. SWITCH		VACUUM SWITCH
	BUTTERFLY VALVE		CHECK VALVE
	AIR FILTER		FLEX LINE
	BALL VALVE		UNION

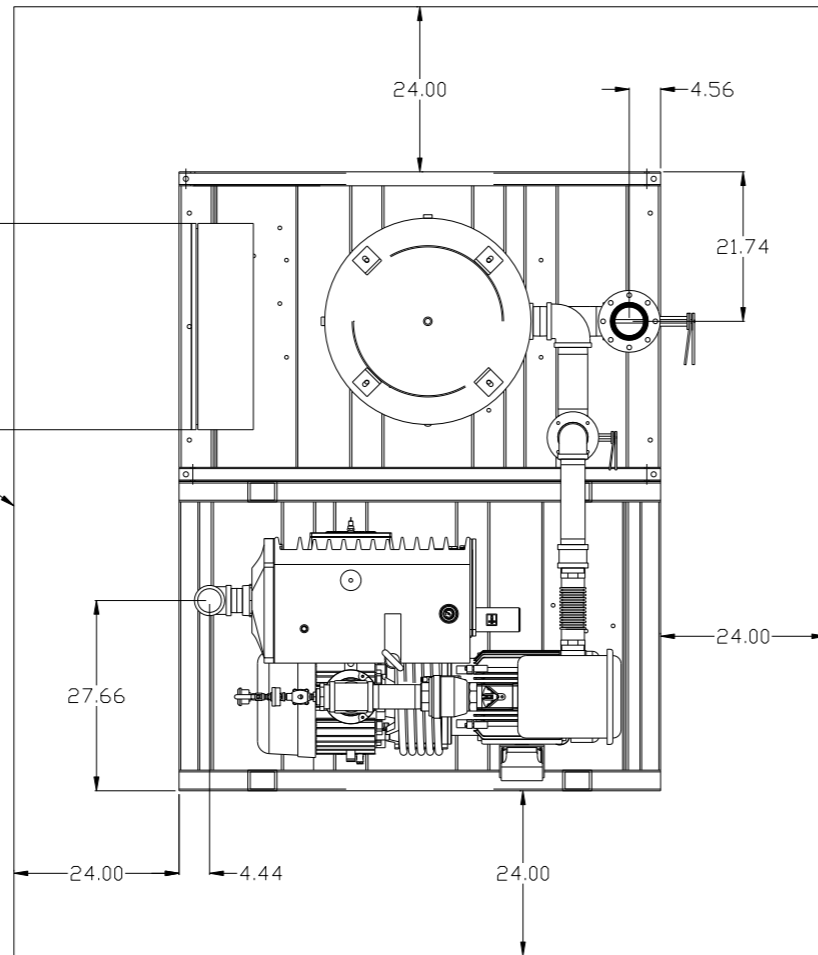
NOTE:
1) TSH - TEMPERATURE SWITCH HIGH
2) PER NFPA THE SYSTEM WILL REQUIRE A SOURCE VALVE (SUPPLIED BY OTHERS).

SYMBOL LEGEND			ADDITIONAL CONTROL REQ'D	Drawings to conform to the current revision of the following ANSI standards: Y14.3 Multi- and sectional view dgs. Y14.5M Dimensioning and tolerancing
	MINUS DRAFT		BRINELL HARDNESS	
TOLERANCES NOT SPECIFIED		AUTOCAD REL2008 LT		DO NOT SCALE DRAWING FOR DIMENSIONS
.XX ±		INCH		SCALE 1: 14
CONFIDENTIAL DISCLOSURE This drawing is the property of POWEREX, INC. of the SCOTT FEITZER COMPANY and subject to return on demand. Its contents are confidential and must not be copied or submitted to outside parties for use or examination.				
DRAWN BY	CHECKED BY	APPROVED BY	MFG/MKTG	
GES	DMS	JBC	CT	
11/14/12	1/2/13	1/2/13	1/2/13	
MATERIAL		N/A		
PART NAME		DUPLIX LAB VACUUM FLOW SCHEMATIC		
DWG NO		LVPD1505		
SIZE		D		

REV	ZONE	REVISION	DATE	ECN	NAME	CHKD
B-1	ALL	RELEASE TO PRODUCTION	1/2/13	PRE0003	GES	DMS

MINIMUM RECOMMENDED ELECTRICAL PANEL CLEARANCE PER OSHA/ NEC

MINIMUM RECOMMENDED MAINTENANCE CLEARANCE

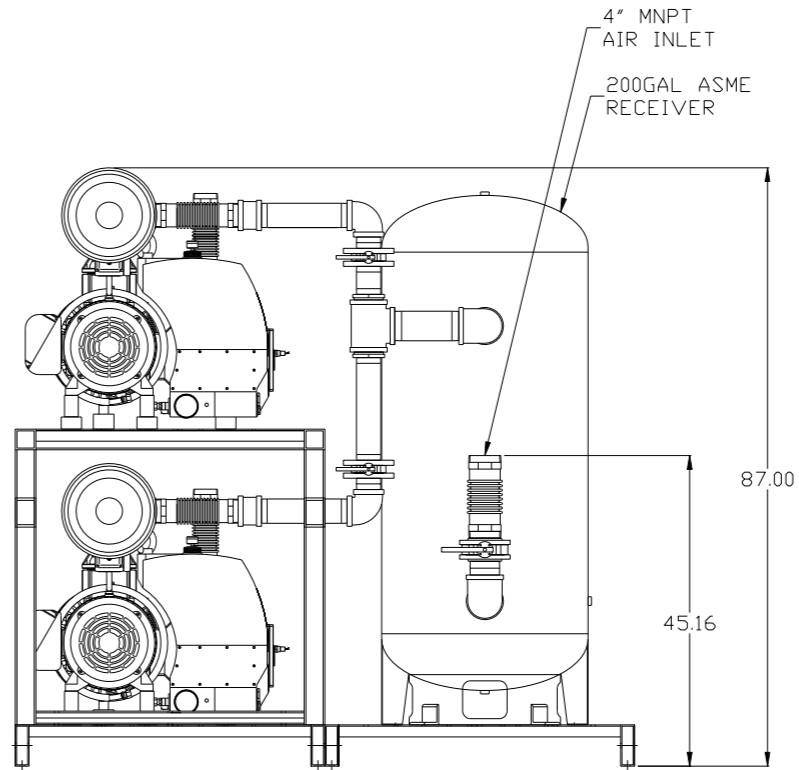
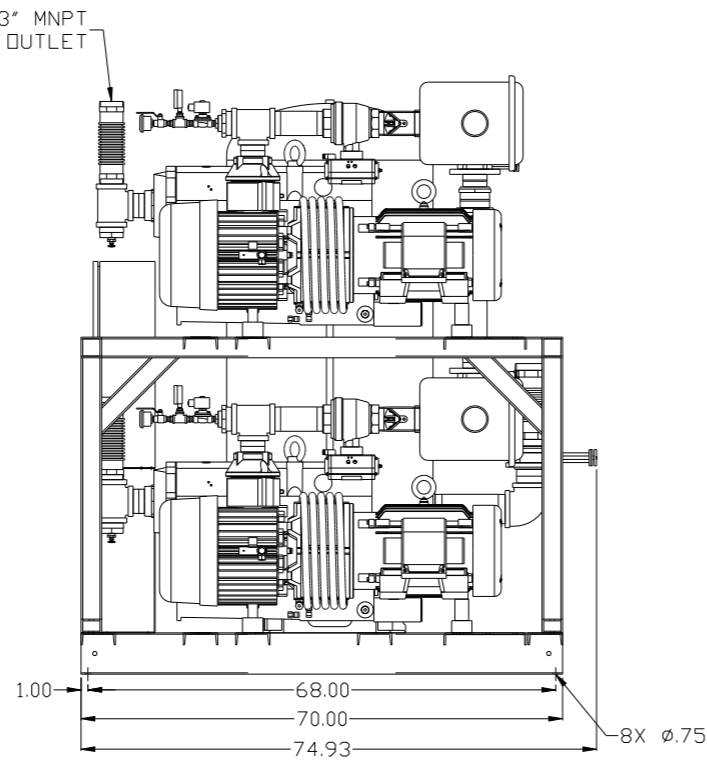
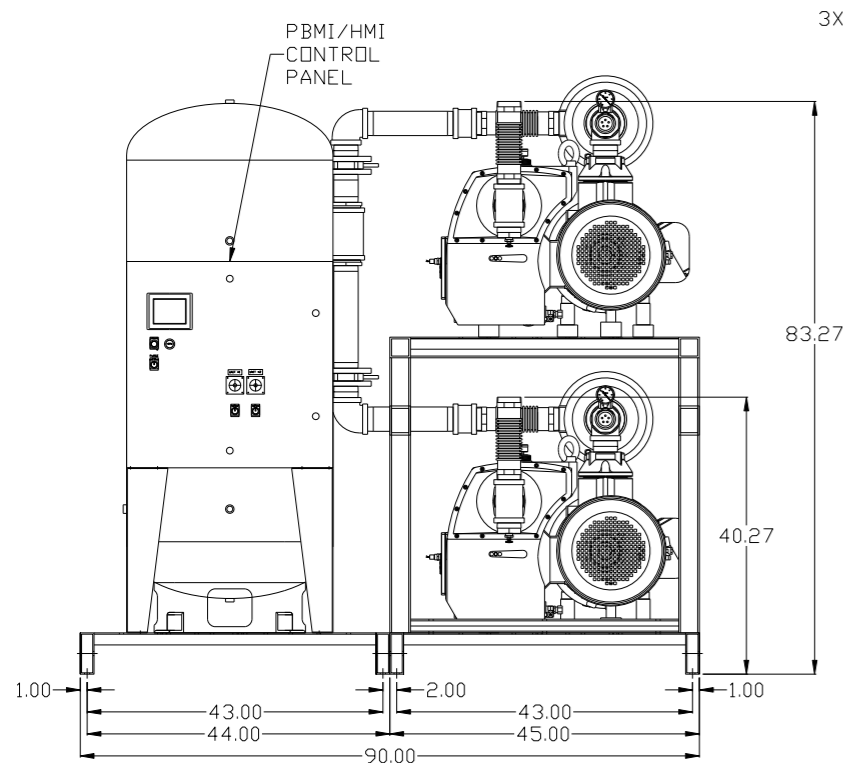


PBMI/HMI CONTROL PANEL

3X 3" MNPT OUTLET

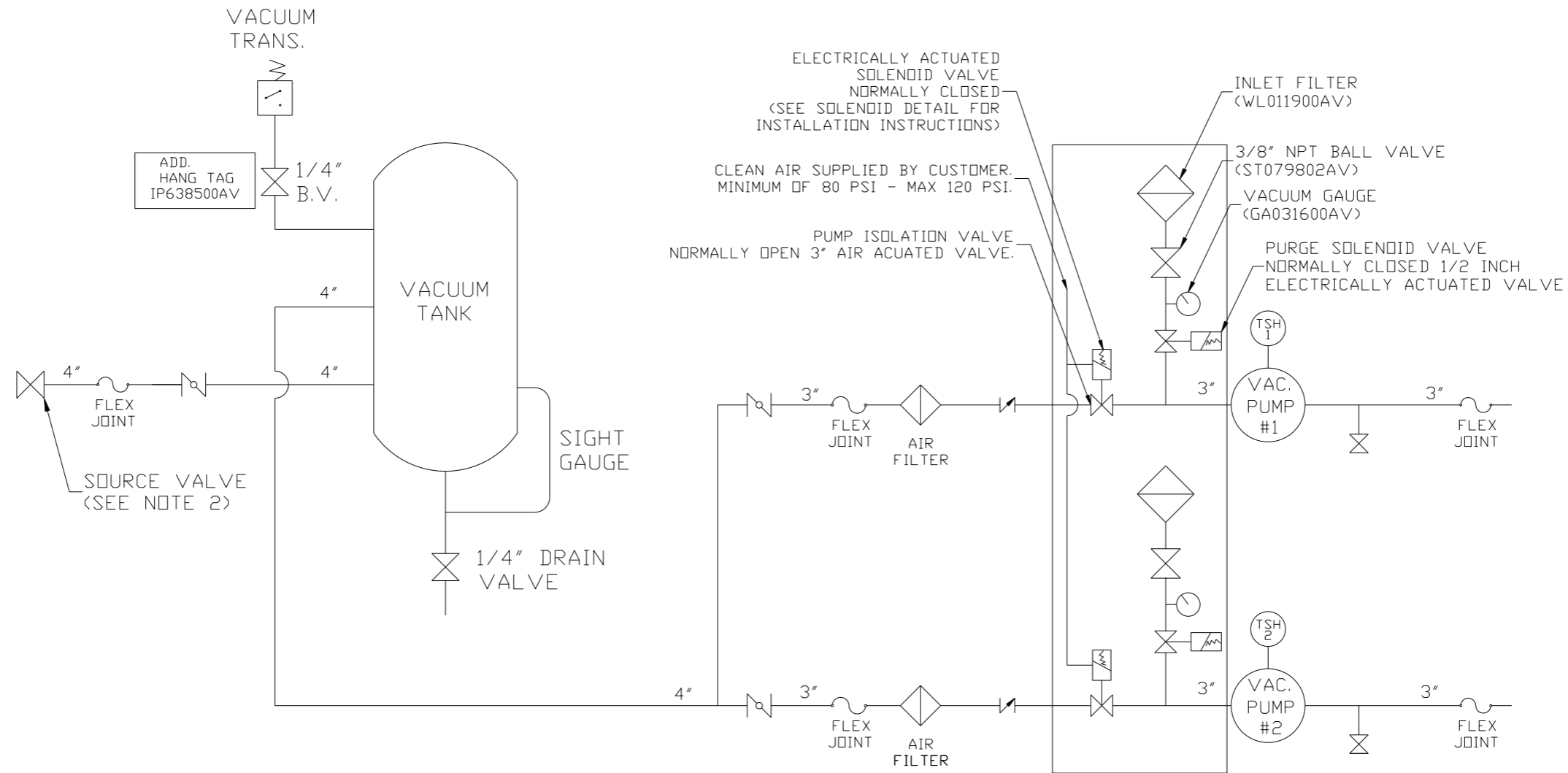
4" MNPT AIR INLET

200GAL ASME RECEIVER



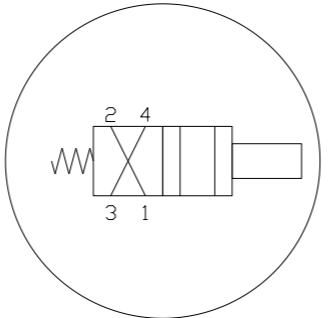
NOTE: AUTO PURGE IS OPTIONAL.

SYMBOL LEGEND ⊖ = MINUS DRAFT ⊕ = PLUS DRAFT .XX ± .XXX ± <Z< DEG > ±		= ADDITIONAL CONTROL REQ'D = BRINELL HARDNESS		Drawings to conform to the current revision of the following ANSI standards: Y14.3 Multi and sectional view dgs. Y14.5M Dimensioning and tolerancing	
TOLERANCES NOT SPECIFIED AUTOCAD REL2008 LT INCH		DO NOT SCALE DRAWING FOR DIMENSIONS Sheet 1 of 2 SCALE 1:14		CONFIDENTIAL DISCLOSURE This drawing is the property of POWEREX, INC. of the SCOTT FEITZER COMPANY and subject to return on demand. Its contents are confidential and must not be copied or submitted to outside parties for use or examination.	
MATERIAL N/A		DRAWN BY: GES CHECKED BY: DMS 11/14/12		APPROVED BY: JBC, CT 1/2/13, 1/2/13	
PART NAME 15HP LAB VACUUM 200G DUPLEX		DWG NO LVPD1505		SIZE D	



LEGEND

	TEMP. SWITCH		VACUUM SWITCH
	BUTTERFLY VALVE		CHECK VALVE
	AIR FILTER		FLEX LINE
	BALL VALVE		UNION



NOTE:
 1) TSH - TEMPERATURE SWITCH HIGH
 2) PER NFPA THE SYSTEM WILL REQUIRE A SOURCE VALVE (SUPPLIED BY OTHERS).

SYMBOL LEGEND			ADDITIONAL CONTROL REQ'D	Drawings to conform to the current revision of the following ANSI standards:	
	MINUS DRAFT		BRINELL HARDNESS	Y14.3 Multi and sectional view dsgs. Y14.5M Dimensioning and tolerancing	
TOLERANCES NOT SPECIFIED		AUTOCAD REL2008 LT	DO NOT SCALE DRAWING FOR DIMENSIONS		
.XX ±		INCH	Sheet 2 of 2	SCALE 1:14	
CONFIDENTIAL DISCLOSURE This drawing is the property of POWEREX, INC. of the SCOTT FETZER COMPANY and subject to return on demand. Its contents are confidential and must not be copied or submitted to outside parties for use or examination.					
DRAWN BY	CHECKED BY	APPROVED BY		MFG/MKTG	
GES	DMS	JBC	CT		
11/14/12	1/2/13	1/2/13	1/2/13		
MATERIAL		N/A			
PART NAME		DUPLUX LAB VACUUM FLOW SCHEMATIC			
DWG NO		LVPD1505		SIZE D	
150 PRODUCTION DRIVE, HARRISON, OHIO 45030 Ph 888-769-7979 FAX (513) 367-3125					

8

7

6

5

4

3

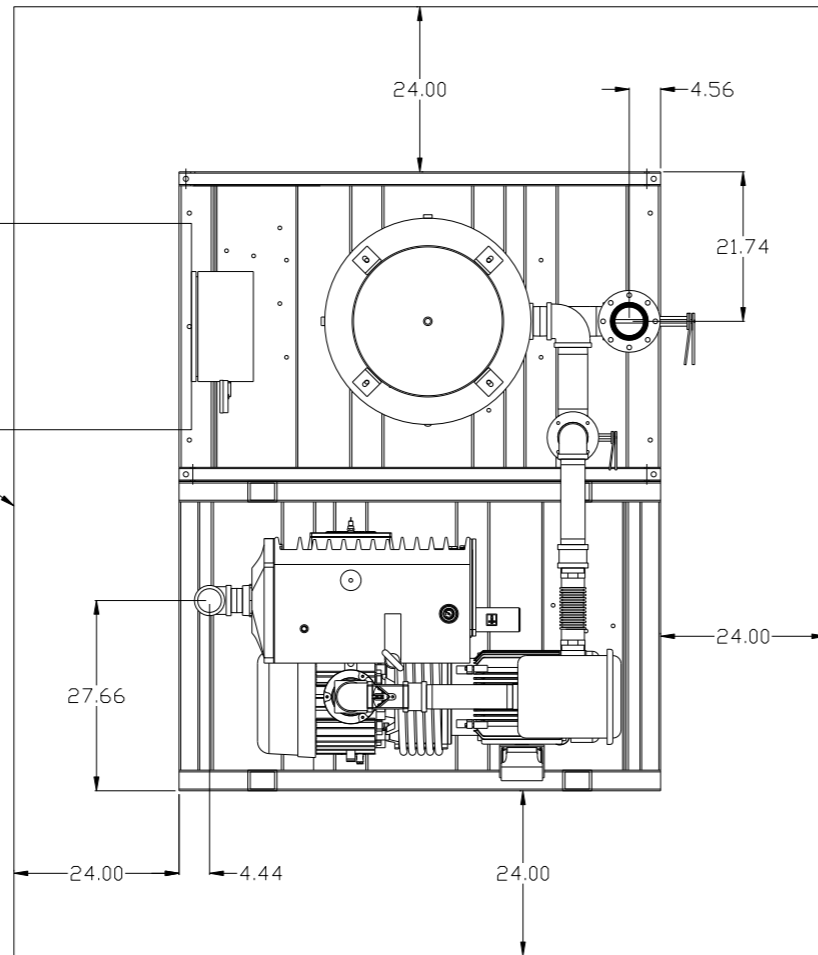
2

1

REV	ZONE	REVISION	DATE	ECN	NAME	CHKD
B-1	ALL	RELEASE TO PRODUCTION	1/2/13	PRE0003	GES	DMS

MINIMUM RECOMMENDED
ELECTRICAL PANEL
CLEARANCE PER OSHA/ NEC

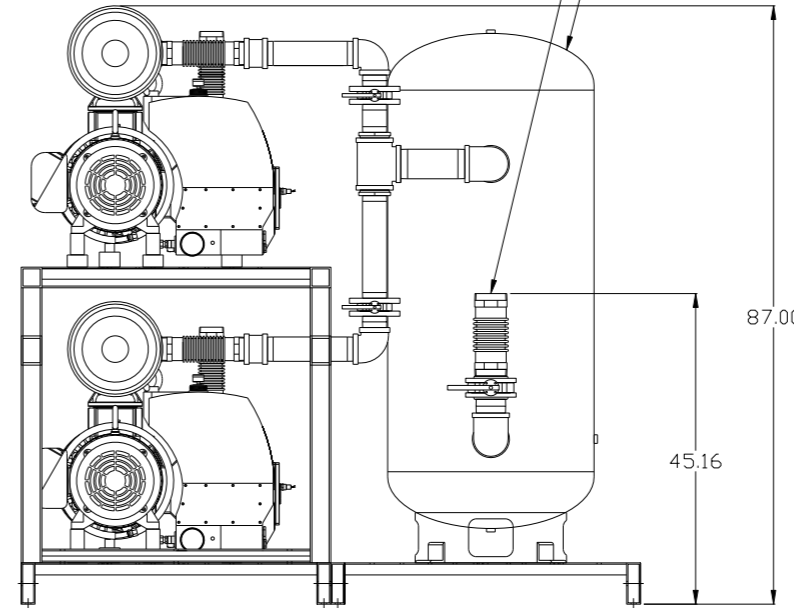
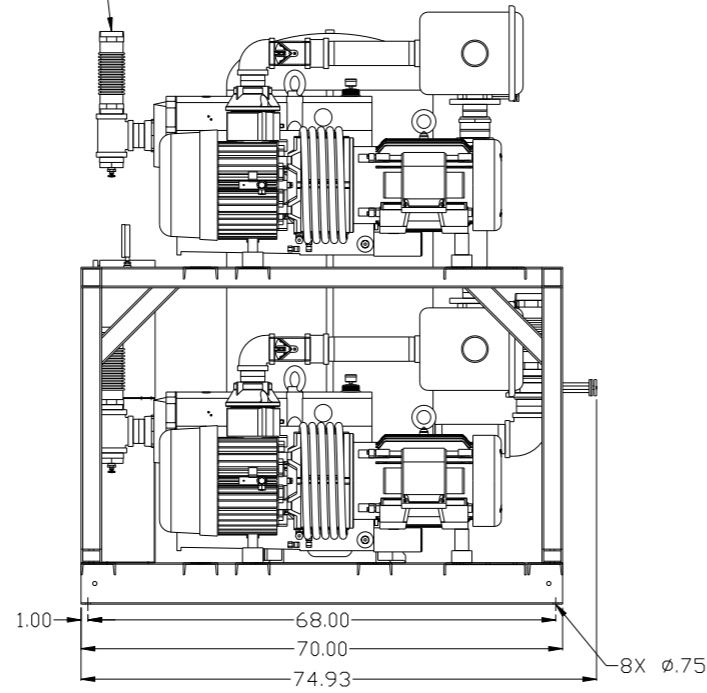
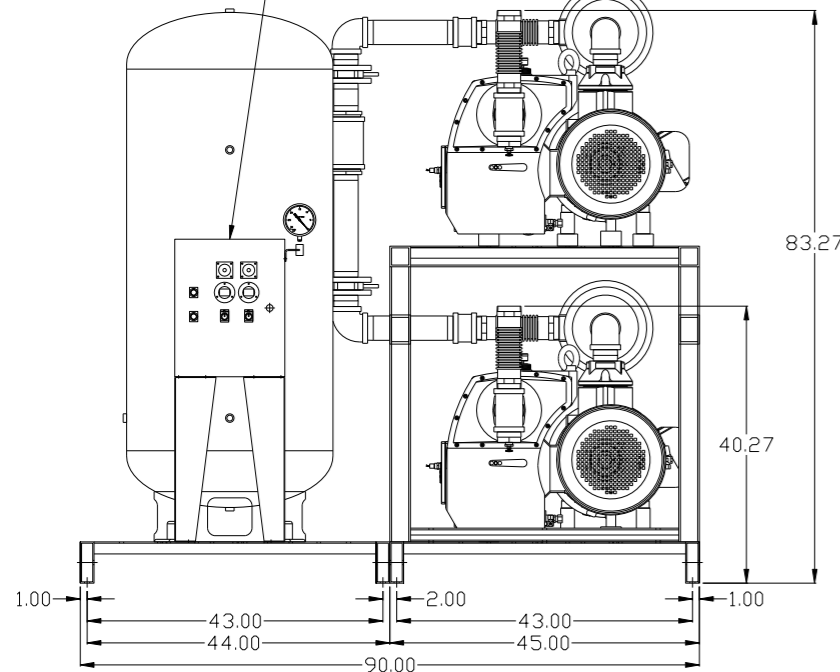
MINIMUM RECOMMENDED
MAINTENANCE CLEARANCE



BASIC
CONTROL
PANEL

3X 3" MNPT
OUTLET

4" MNPT
AIR INLET
200GAL ASME
RECEIVER



SYMBOL LEGEND
 ⊖ = MINUS DRAFT ⊕ = PLUS DRAFT
 ⊕ = ADDITIONAL CONTROL REQ'D
 ⊕ = BRINELL HARDNESS

Drawings to conform to the current revision of the following ANSI standards:
 Y14.3 Multi and sectional view dgs.
 Y14.5M Dimensioning and tolerancing

TOLERANCES NOT SPECIFIED
 .XX ±
 .XXX ±
 \angle (DEG) ±

AUTOCAD REL2008 LT
 INCH

DO NOT SCALE DRAWING FOR DIMENSIONS
 Sheet 1 of 2
 SCALE 1:14

CONFIDENTIAL DISCLOSURE
 This drawing is the property of POWEREX, INC. of the SCOTT FEITZER COMPANY and subject to return on demand. Its contents are confidential and must not be copied or submitted to outside parties for use or examination.

DRAWN BY	CHECKED BY	APPROVED BY	MFG/MKTG
GES	DMS	JBC	CT
11/14/12	1/2/13	1/2/13	1/2/13

MATERIAL N/A

PART NAME
 15HP LAB VACUUM
 200G DUPLEX

DWG NO LVPD1505

SIZE D

POWEREX
 150 PRODUCTION DRIVE, HARRISON, OHIO 45030
 Ph 888-769-7979 FAX (513) 367-3125

LVPD1505B.dwg

8

7

6

5

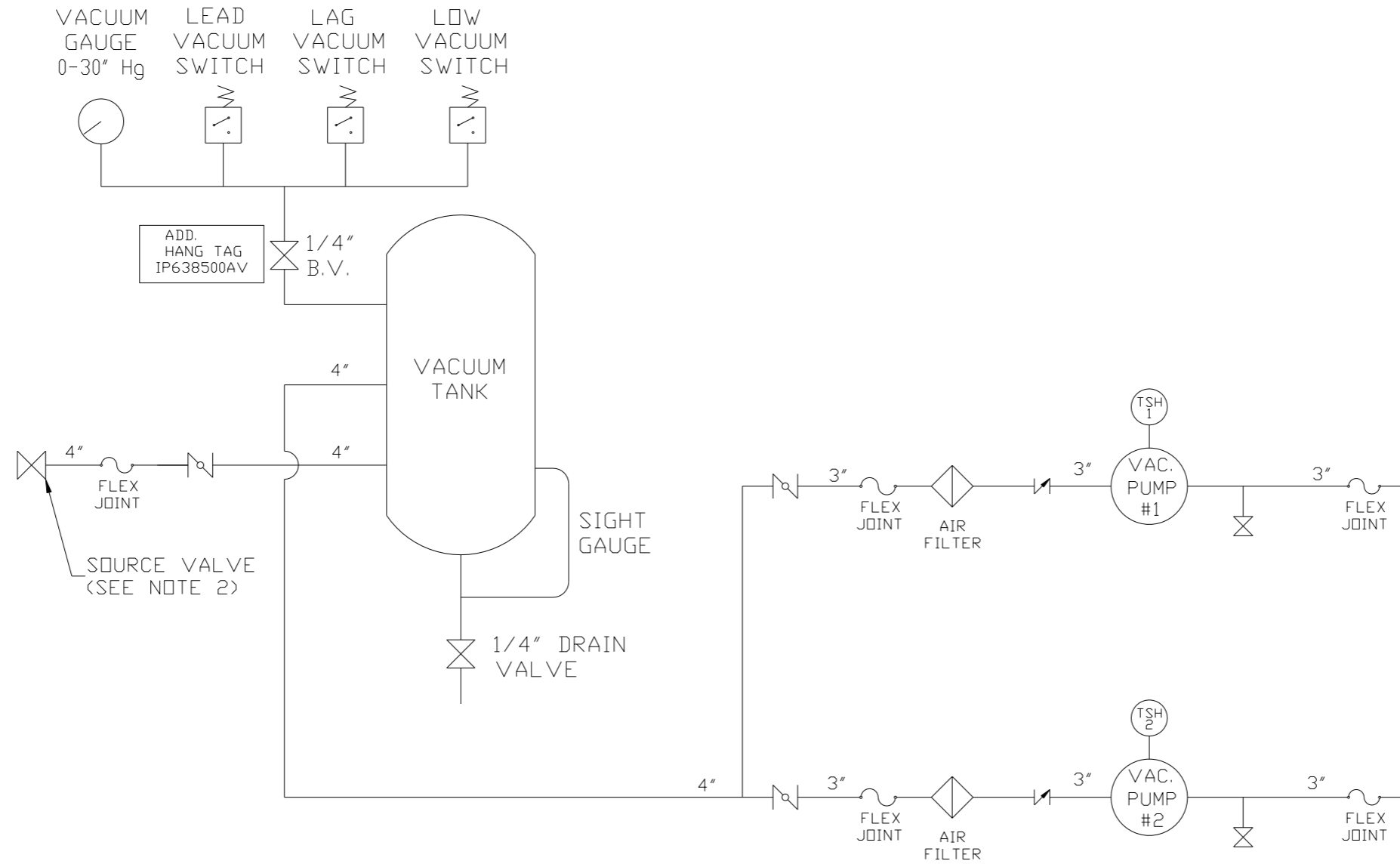
4

3

2

1

REV	ZONE	REVISION	DATE	ECN	NAME	CHKD
B-1	ALL	RELEASE TO PRODUCTION	1/2/13	PREC003	GES	DMS



NOTE:
A 1/4 INCH VENT PLUG IS
LOCATED IN THE FILTER HOUSING.

LEGEND

	TEMP. SWITCH		VACUUM SWITCH
	BUTTERFLY VALVE		CHECK VALVE
	AIR FILTER		FLEX LINE
	BALL VALVE		UNION

NOTE:
1) TSH - TEMPERATURE SWITCH HIGH
2) PER NFPA THE SYSTEM WILL REQUIRE A SOURCE VALVE (SUPPLIED BY OTHERS).

SYMBOL LEGEND = MINUS DRAFT = PLUS DRAFT = ADDITIONAL CONTROL REQ'D = BRINELL HARDNESS		Drawings to conform to the current revision of the following ANSI standards: Y14.3 Multi and sectional view dgs. Y14.5M Dimensioning and tolerancing	
TOLERANCES NOT SPECIFIED .XX ± .XXX ± <<DEG> ±		DO NOT SCALE DRAWING FOR DIMENSIONS AUTOCAD REL2008 LT INCH Sheet 2 of 2 SCALE 1: 14	
CONFIDENTIAL DISCLOSURE This drawing is the property of POWEREX, INC. of the SCOTT FETZER COMPANY and subject to return on demand. Its contents are confidential and must not be copied or submitted to outside parties for use or examination.			
DRAWN BY GES	CHECKED BY DMS	APPROVED BY JBC	MFG/MRKTG CT
11/14/12	1/2/13	1/2/13	1/2/13
MATERIAL N/A		 150 PRODUCTION DRIVE, HARRISON, OHIO 45030 Ph 888-769-7979 FAX (513) 367-3125	
PART NAME DUPLEX LAB VACUUM FLOW SCHEMATIC		DWG NO LVPD1505	SIZE D