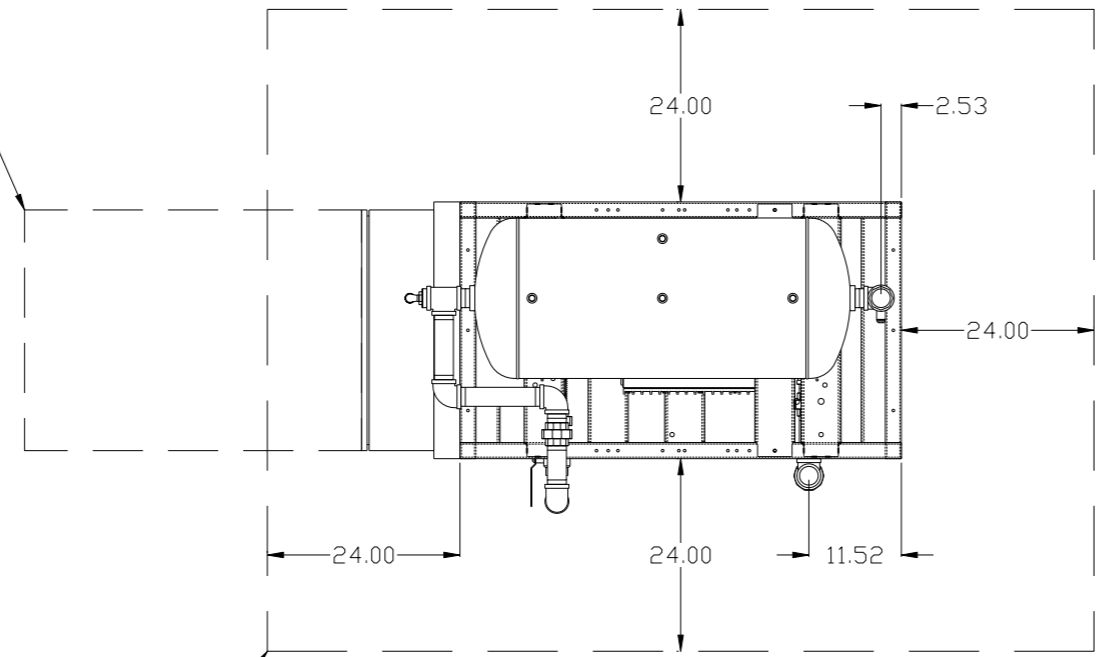
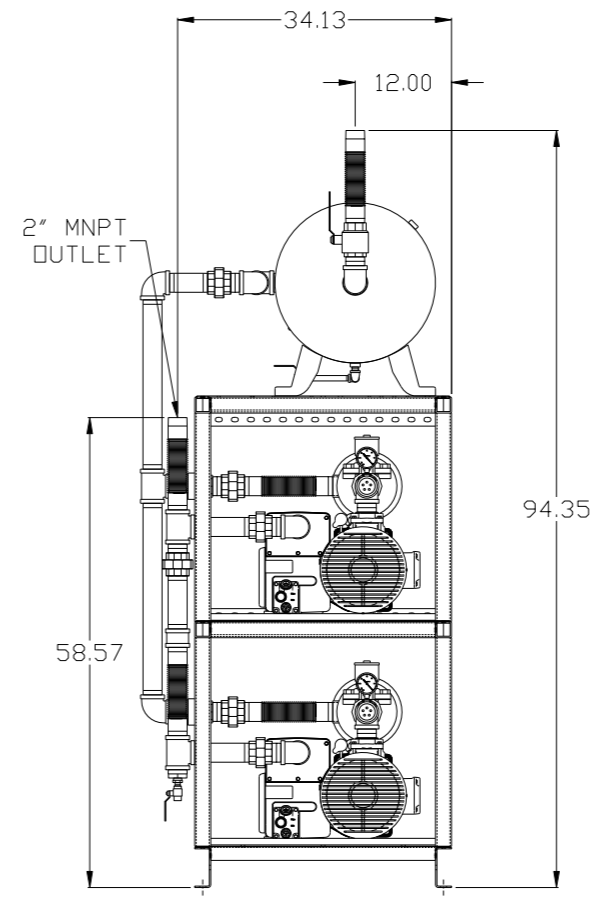
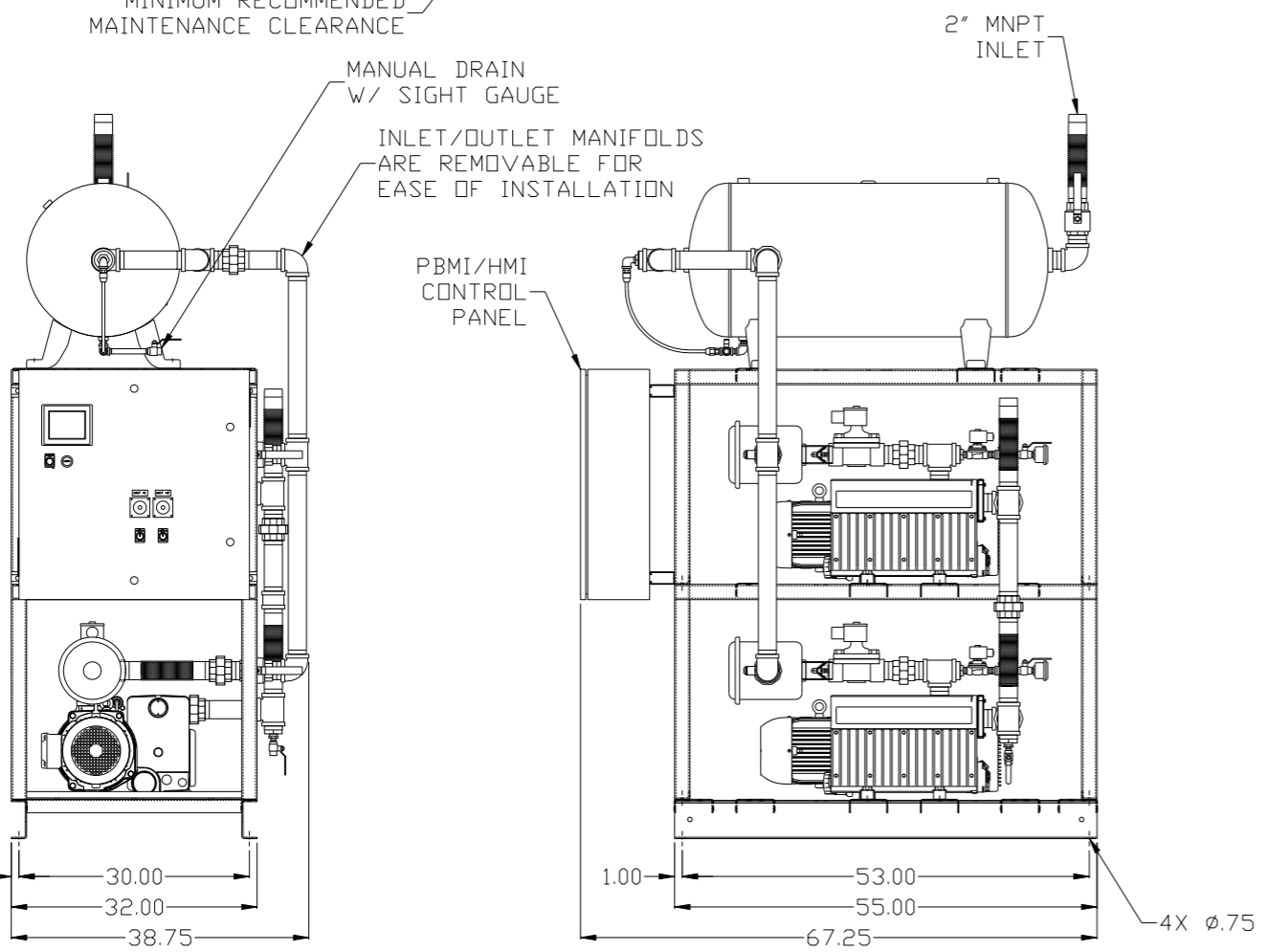


REV	ZONE	REVISION	DATE	ECN	NAME	CHKD
B-1	ALL	RELEASE TO PRODUCTION	1/2/13	PXEC0003	AEK	DMS
C-1	ALL	UPDATED TO NEW RA SERIES PUMP	9/7/16	PXEC0148	AEK	GES

MINIMUM RECOMMENDED ELECTRICAL PANEL CLEARANCE PER OSHA/NEC REQUIREMENTS



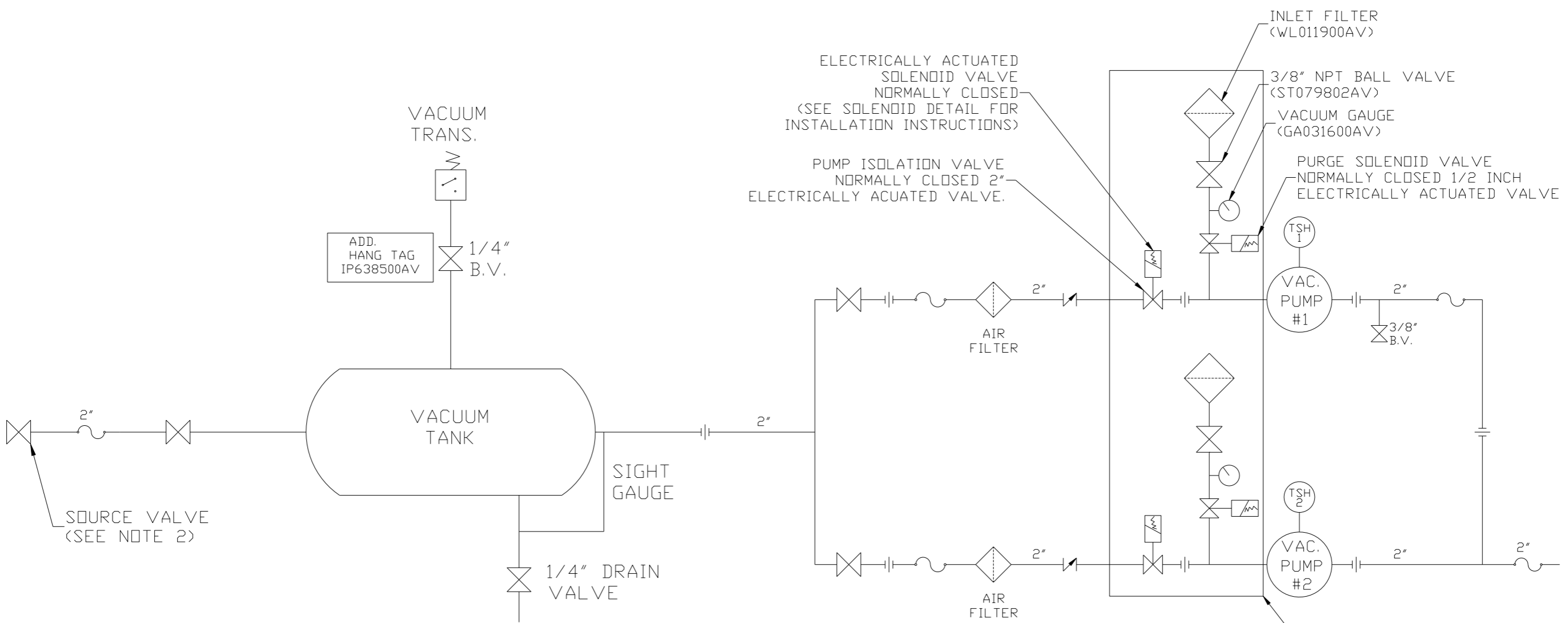
MINIMUM RECOMMENDED MAINTENANCE CLEARANCE



NOTE: AUTO PURGE IS OPTIONAL.

SYMBOL LEGEND ⊖ = MINUS DRAFT ⊕ = PLUS DRAFT TOLERANCES NOT SPECIFIED .XX ± .XXX ± \angle (DEG) ±		= ADDITIONAL CONTROL REQ'D = BRINELL HARDNESS		Drawings to conform to the current revision of the following ANSI standards: Y14.3 Multi and sectional view dsgs. Y14.5M Dimensioning and tolerancing	
AUTOCAD REL2008 LT INCH		DO NOT SCALE DRAWING FOR DIMENSIONS Sheet 2 of 2 SCALE 1:12		CONFIDENTIAL DISCLOSURE This drawing is the property of POWEREX, INC. of the SCOTT FETZER COMPANY and subject to return on demand. Its contents are confidential and must not be copied or submitted to outside parties for use or examination.	
DRAWN BY AEK	CHECKED BY DMS	APPROVED BY JBC	MFG/MRKTG CT	1/2/13	1/2/13
MATERIAL N/A		POWEREX 150 PRODUCTION DRIVE, HARRISON, OHIO 45030 Ph: 888-769-7979 FAX: (513) 367-3125		DWG NO LVPDT0502	SIZE D
PART NAME 5HP LAB VACUUM 60GAL DUPLEX		LVPDT0502B.dwg			

REV	ZONE	REVISION	DATE	ECN	NAME	CHKD
B-1	ALL	RELEASE TO PRODUCTION	1/2/13	PXEC0003	AEK	DMS
C-1	ALL	UPDATED TO NEW RA SERIES PUMP	9/7/16	PXEC0148	AEK	GES



ELECTRICALLY ACTUATED SOLENOID VALVE NORMALLY CLOSED (SEE SOLENOID DETAIL FOR INSTALLATION INSTRUCTIONS)

PUMP ISOLATION VALVE NORMALLY CLOSED 2\"/>

INLET FILTER (WL011900AV)

3/8\"/>

VACUUM GAUGE (GA031600AV)

PURGE SOLENOID VALVE NORMALLY CLOSED 1/2 INCH ELECTRICALLY ACTUATED VALVE

NOTE:
A 1/4 INCH VENT PLUG IS LOCATED IN THE FILTER HOUSING.

AUTO PURGE IS OPTIONAL

LEGEND

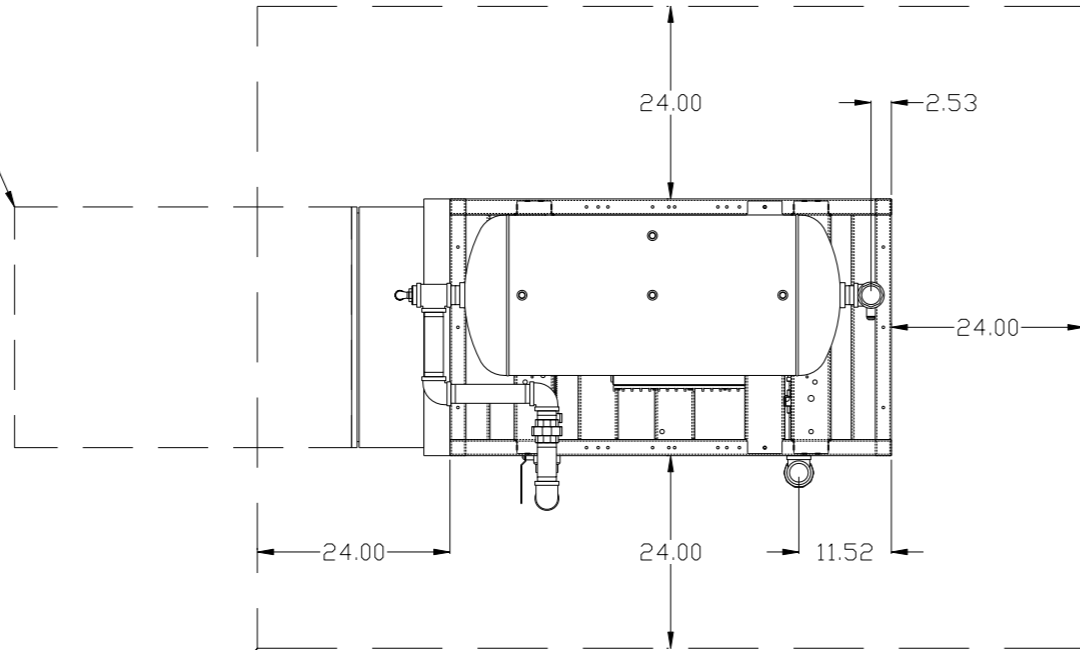
	TEMP. SWITCH		VACUUM SWITCH
	AIR FILTER		CHECK VALVE
	BALL VALVE		FLEX LINE
			UNION

NOTE:
1) TSH - TEMPERATURE SWITCH HIGH
2) PER NFPA THE SYSTEM WILL REQUIRE A SOURCE VALVE (SUPPLIED BY OTHERS).

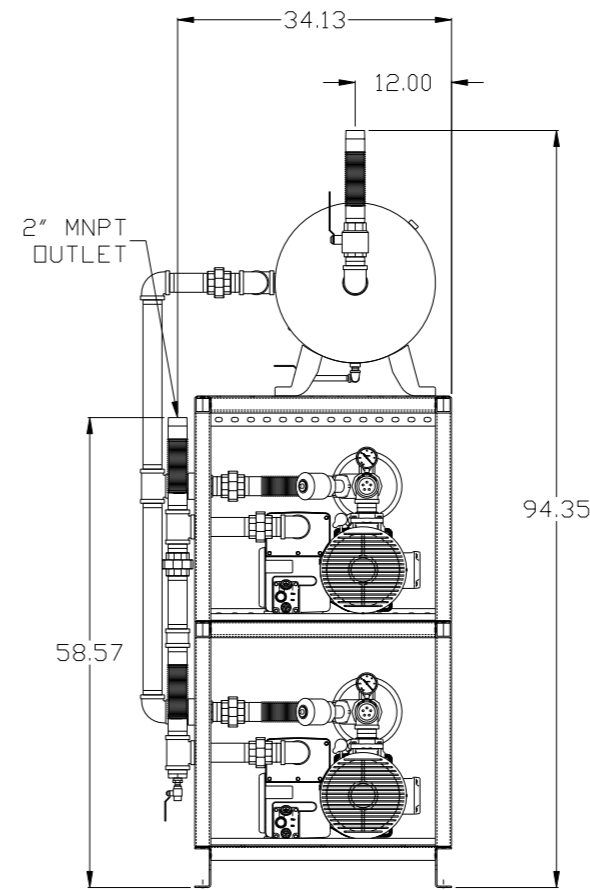
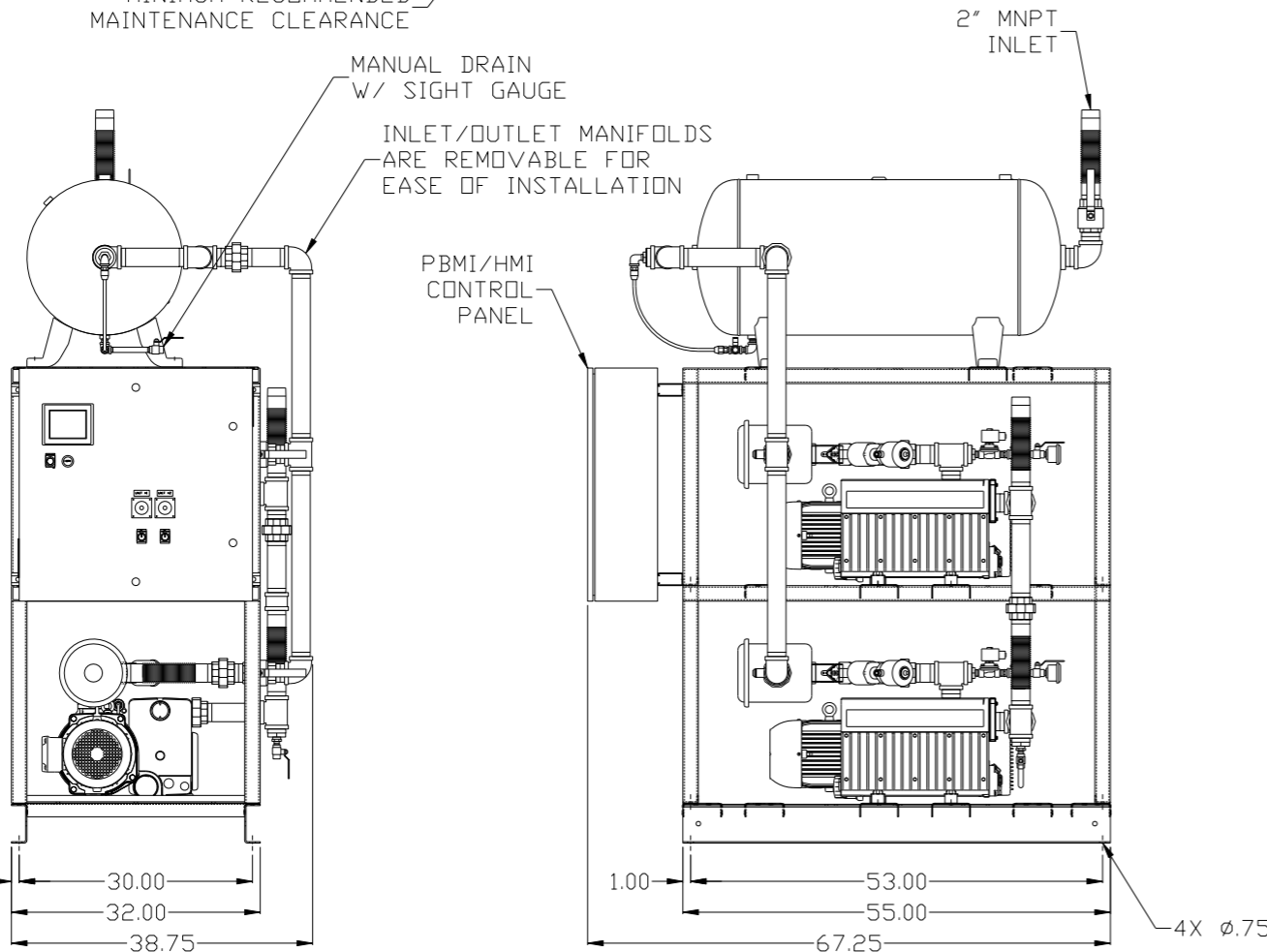
SYMBOL LEGEND			ADDITIONAL CONTROL REQ'D	Drawings to conform to the current revision of the following ANSI standards	
	MINUS DRAFT		BRINELL HARDNESS	Y14.3 Multi and sectional view dgs. Y14.5M Dimensioning and tolerancing	
TOLERANCES NOT SPECIFIED		AUTOCAD REL2008 LT		DO NOT SCALE DRAWING FOR DIMENSIONS	
.XX ±		INCH		Sheet 2 of 2	SCALE 1:12
CONFIDENTIAL DISCLOSURE This drawing is the property of POWEREX, INC. of the SCOTT FETZER COMPANY and subject to return on demand. Its contents are confidential and must not be copied or submitted to outside parties for use or examination.					
DRAWN BY	CHECKED BY	APPROVED BY		MFG/MKTG	
AEK	DMS	JBC	CT		
1/2/13	1/2/13	1/2/13	1/2/13		
MATERIAL		N/A			
PART NAME		 150 PRODUCTION DRIVE, HARRISON, OHIO 45030 Ph: 888-769-7979 FAX: (513) 367-3125			
DUPLEX LAB VACUUM FLOW SCHEMATIC		DWG NO	LVPDT0502		
		SIZE	D		

REV	ZONE	REVISION	DATE	ECN	NAME	CHKD
B-1	ALL	RELEASE TO PRODUCTION	1/2/13	PXEC0003	AEK	DMS
C-1	ALL	UPDATED TO NEW RA SERIES PUMP	9/7/16	PXEC0148	AEK	GES

MINIMUM RECOMMENDED ELECTRICAL PANEL CLEARANCE PER OSHA/NEC REQUIREMENTS



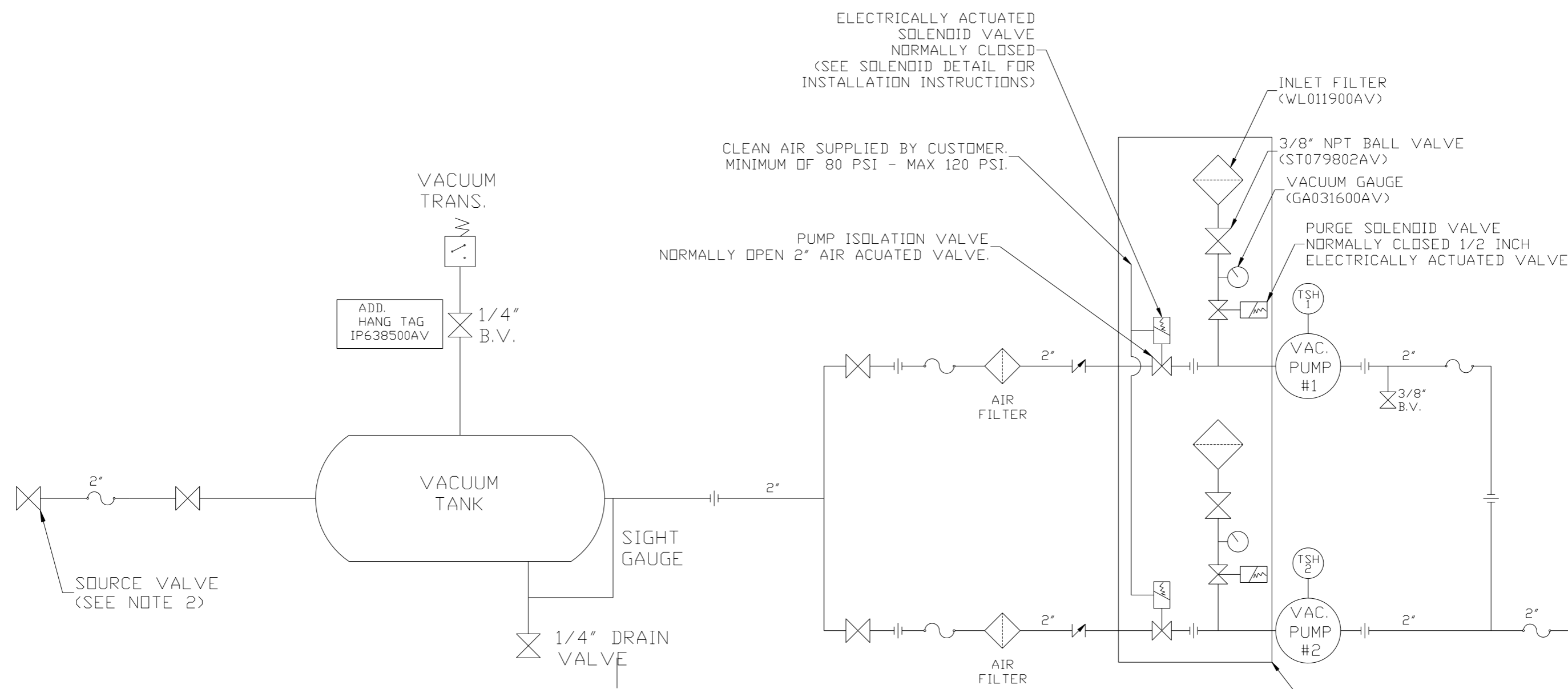
MINIMUM RECOMMENDED MAINTENANCE CLEARANCE



NOTE: AUTO PURGE IS OPTIONAL.

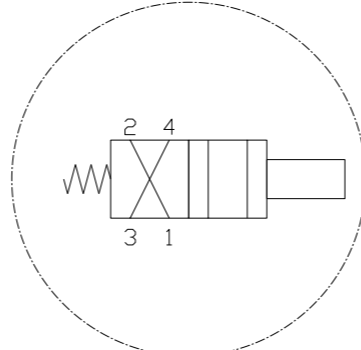
SYMBOL LEGEND ⊖ = MINUS DRAFT ⊕ = PLUS DRAFT TOLERANCES NOT SPECIFIED .XX ± .XXX ± \angle (DEG) ±		= ADDITIONAL CONTROL REQ'D = BRINELL HARDNESS		Drawings to conform to the current revision of the following ANSI standards: Y14.3 Multi and sectional view dsgs. Y14.5M Dimensioning and tolerancing
AUTOCAD REL2008 LT INCH		DO NOT SCALE DRAWING FOR DIMENSIONS Sheet 2 of 2 SCALE 1:12		
CONFIDENTIAL DISCLOSURE This drawing is the property of POWEREX, INC. of the SCOTT FETZER COMPANY and subject to return on demand. Its contents are confidential and must not be copied or submitted to outside parties for use or examination.				
DRAWN BY AEK	CHECKED BY DMS	APPROVED BY JBC	MFG/MRKTG CT	
1/2/13	1/2/13	1/2/13	1/2/13	
MATERIAL N/A		 150 PRODUCTION DRIVE, HARRISON, OHIO 45030 Ph: 888-769-7979 FAX: (513) 367-3125		
PART NAME 5HP LAB VACUUM 60GAL DUPLEX		DWG NO LVPDT0502	SIZE D	

REV	ZONE	REVISION	DATE	ECN	NAME	CHKD
B-1	ALL	RELEASE TO PRODUCTION	1/2/13	PXEC0003	AEK	DMS
C-1	ALL	UPDATED TO NEW RA SERIES PUMP	9/7/16	PXEC0148	AEK	GES



LEGEND

	TEMP. SWITCH		VACUUM SWITCH
	AIR FILTER		CHECK VALVE
	BALL VALVE		FLEX LINE
			UNION



SOLENOID DETAIL:
 1) VALVE - INPUT #1
 2) MUFFLER - INPUT #2
 3) SUPPLY AIR - INPUT #4

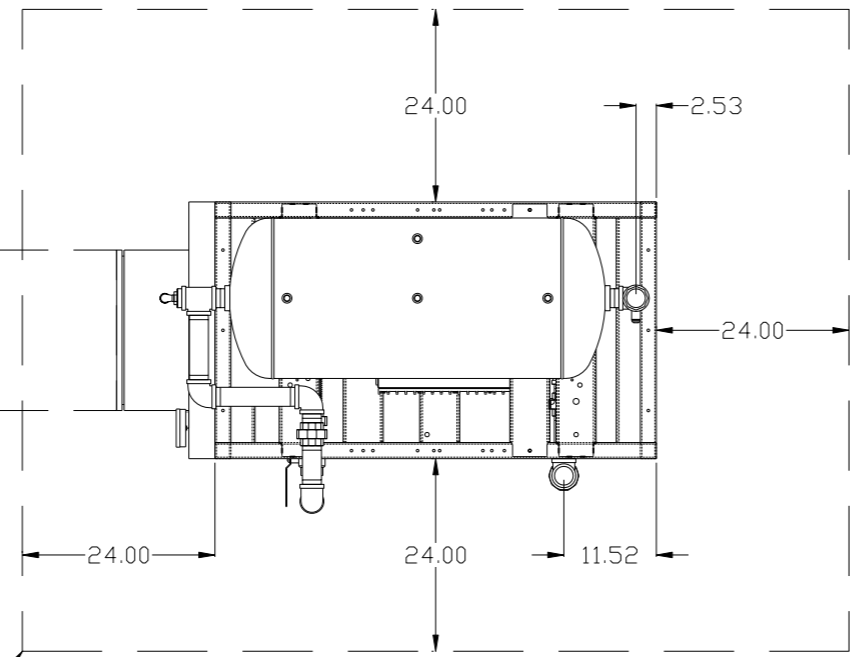
NOTE:
 1) TSH - TEMPERATURE SWITCH HIGH
 2) PER NFPA THE SYSTEM WILL REQUIRE A SOURCE VALVE (SUPPLIED BY OTHERS).

NOTE:
 A 1/4 INCH VENT PLUG IS LOCATED IN THE FILTER HOUSING.

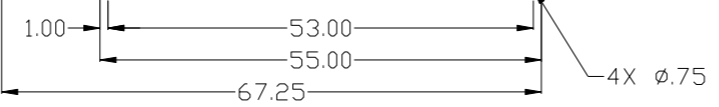
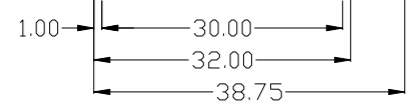
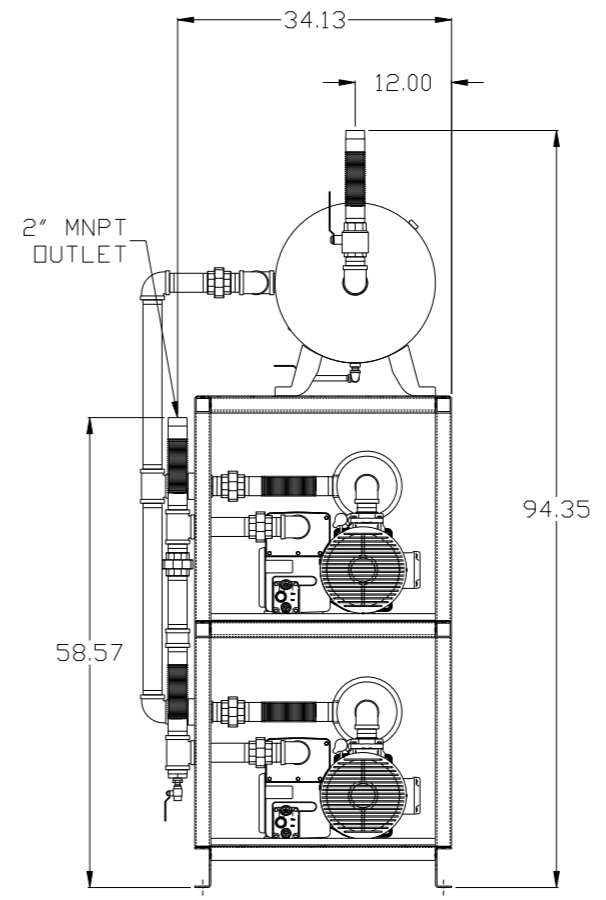
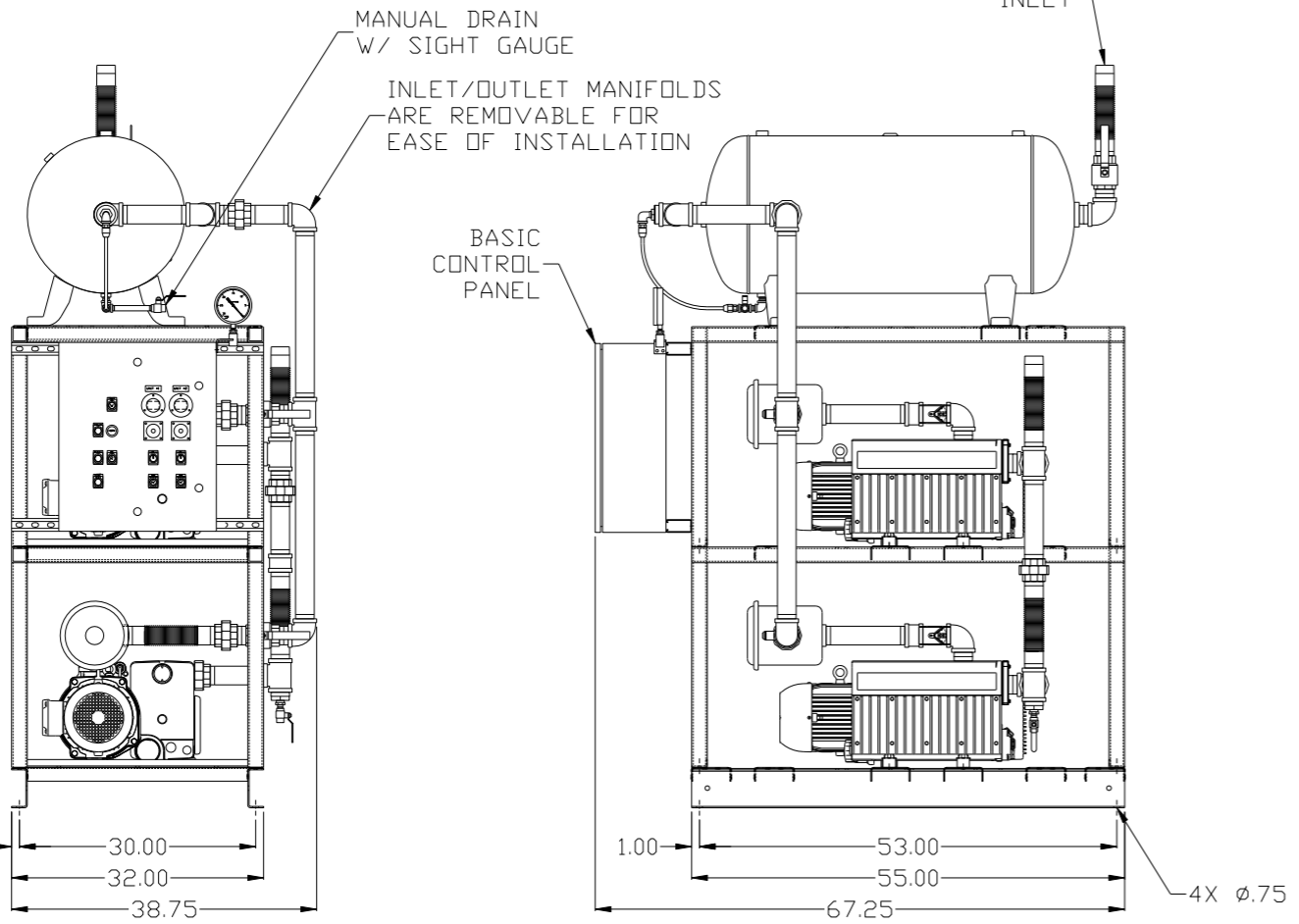
SYMBOL LEGEND		TOLERANCES NOT SPECIFIED		DO NOT SCALE DRAWING FOR DIMENSIONS	
	MINUS DRAFT	XX ±	XXX ±	INCH	SCALE 1:12
	PLUS DRAFT	<DEG> ±			
	ADDITIONAL CONTROL REQ'D	AUTOCAD REL2008 LT			
	BRINELL HARDNESS	DRAWN BY AEK			
CONFIDENTIAL DISCLOSURE		CHECKED BY DMS		APPROVED BY JBC	
This drawing is the property of POWEREX, INC. of the SCOTT FETZER COMPANY and subject to return on demand. Its contents are confidential and must not be copied or submitted to outside parties for use or examination.		1/2/13		1/2/13	
MATERIAL N/A		1/2/13		1/2/13	
PART NAME		150 PRODUCTION DRIVE, HARRISON, OHIO 45030		Ph: 888-769-7979 FAX: (513) 367-3125	
DUPLEX LAB VACUUM FLOW SCHEMATIC		DWG NO LVPDT0502		SIZE D	

REV	ZONE	REVISION	DATE	ECN	NAME	CHKD
B-1	ALL	RELEASE TO PRODUCTION	1/2/13	PXEC0003	AEK	DMS
C-1	1 ALL	UPDATED TO NEW RA SERIES PUMP	9/7/16	PXEC0148	AEK	GES

MINIMUM RECOMMENDED ELECTRICAL PANEL CLEARANCE PER OSHA/NEC REQUIREMENTS

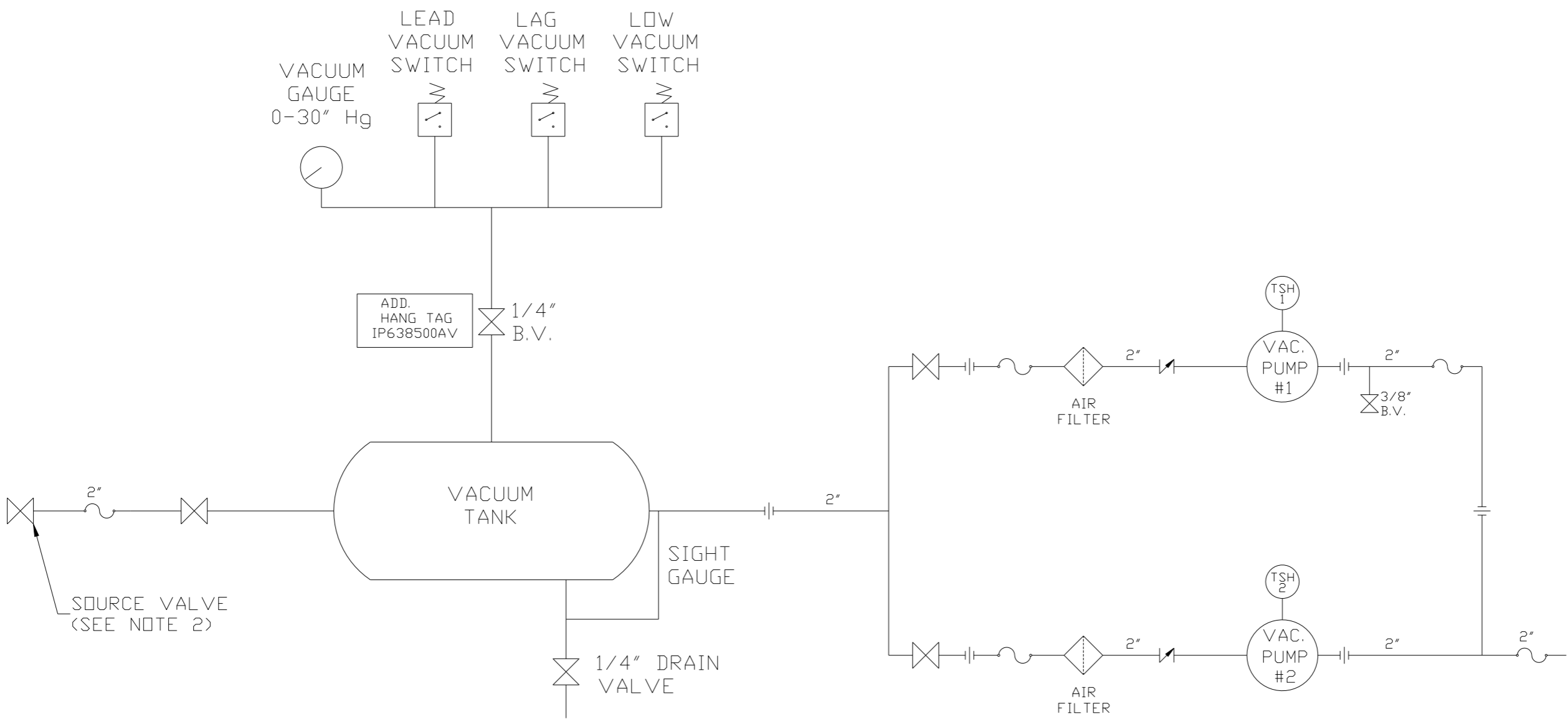


MINIMUM RECOMMENDED MAINTENANCE CLEARANCE



SYMBOL LEGEND ⊖ = MINUS DRAFT ⊕ = PLUS DRAFT TOLERANCES NOT SPECIFIED .XX ± .XXX ± \angle (DEG) ±		= ADDITIONAL CONTROL REQ'D = BRINELL HARDNESS		Drawings to conform to the current revision of the following ANSI standards: Y14.3 Multi and sectional view dgs. Y14.5M Dimensioning and tolerancing	
AUTOCAD REL2008 LT INCH		DO NOT SCALE DRAWING FOR DIMENSIONS Sheet 2 of 2 SCALE 1:12		CONFIDENTIAL DISCLOSURE This drawing is the property of POWEREX, INC. of the SCOTT FEITZER COMPANY and subject to return on demand. Its contents are confidential and must not be copied or submitted to outside parties for use or examination.	
DRAWN BY AEK	CHECKED BY DMS	APPROVED BY JBC	MFG/MKTG CT	1/2/13	1/2/13
MATERIAL N/A		 150 PRODUCTION DRIVE, HARRISON, OHIO 45030 Ph: 888-769-7979 FAX: (513) 367-3125		SIZE D	
PART NAME 5HP LAB VACUUM 60GAL DUPLEX		DWG NO LVPDT0502		LVPDT0502B.dwg	

REV	ZONE	REVISION	DATE	ECN	NAME	CHKD
B-1	ALL	RELEASE TO PRODUCTION	1/2/13	PXEC0003	AEK	DMS
C-1	ALL	UPDATED TO NEW RA SERIES PUMP	9/7/16	PXEC0148	AEK	GES



NOTE:
A 1/4 INCH VENT PLUG IS
LOCATED IN THE FILTER HOUSING.

LEGEND	
	TEMP. SWITCH
	AIR FILTER
	BALL VALVE
	VACUUM SWITCH
	CHECK VALVE
	FLEX LINE
	UNION

NOTE:
1) TSH - TEMPERATURE SWITCH HIGH
2) PER NFPA THE SYSTEM WILL REQUIRE A SOURCE VALVE (SUPPLIED BY OTHERS).

SYMBOL LEGEND			ADDITIONAL CONTROL REQ'D	Drawings to conform to the current revision of the following ANSI standards	
	MINUS DRAFT		BRINELL HARDNESS	Y14.3 Multi and sectional view dgs. Y14.5M Dimensioning and tolerancing	
TOLERANCES NOT SPECIFIED		AUTOCAD REL2008 LT	DO NOT SCALE DRAWING FOR DIMENSIONS		SCALE 1:12
.XX ±		INCH	Sheet 2 of 2		
.XXX ±					
<<DEG> ±					
CONFIDENTIAL DISCLOSURE This drawing is the property of POWEREX, INC. of the SCOTT FETZER COMPANY and subject to return on demand. Its contents are confidential and must not be copied or submitted to outside parties for use or examination.					
DRAWN BY		CHECKED BY	APPROVED BY	MFG/MKTG	
AEK		DMS	JBC	CT	
1/2/13		1/2/13	1/2/13	1/2/13	
MATERIAL		N/A			
PART NAME		DUPLEX LAB VACUUM		150 PRODUCTION DRIVE, HARRISON, OHIO 45030 Ph: 888-769-7979 FAX: (513) 367-3125	
FLOW SCHEMATIC		DWG NO		SIZE	
		LVPDT0502		D	