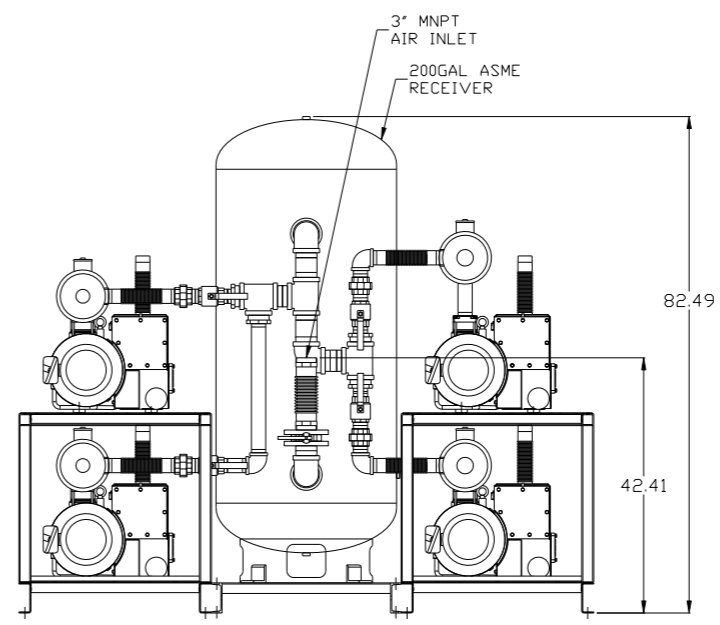
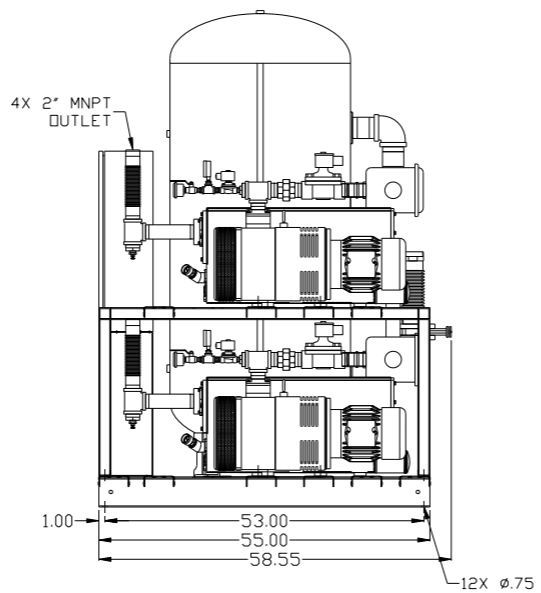
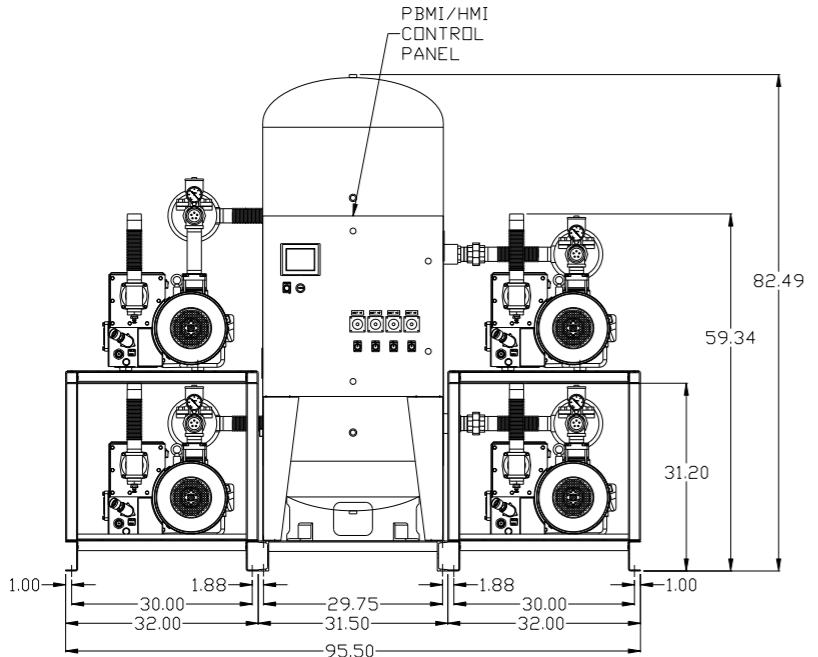
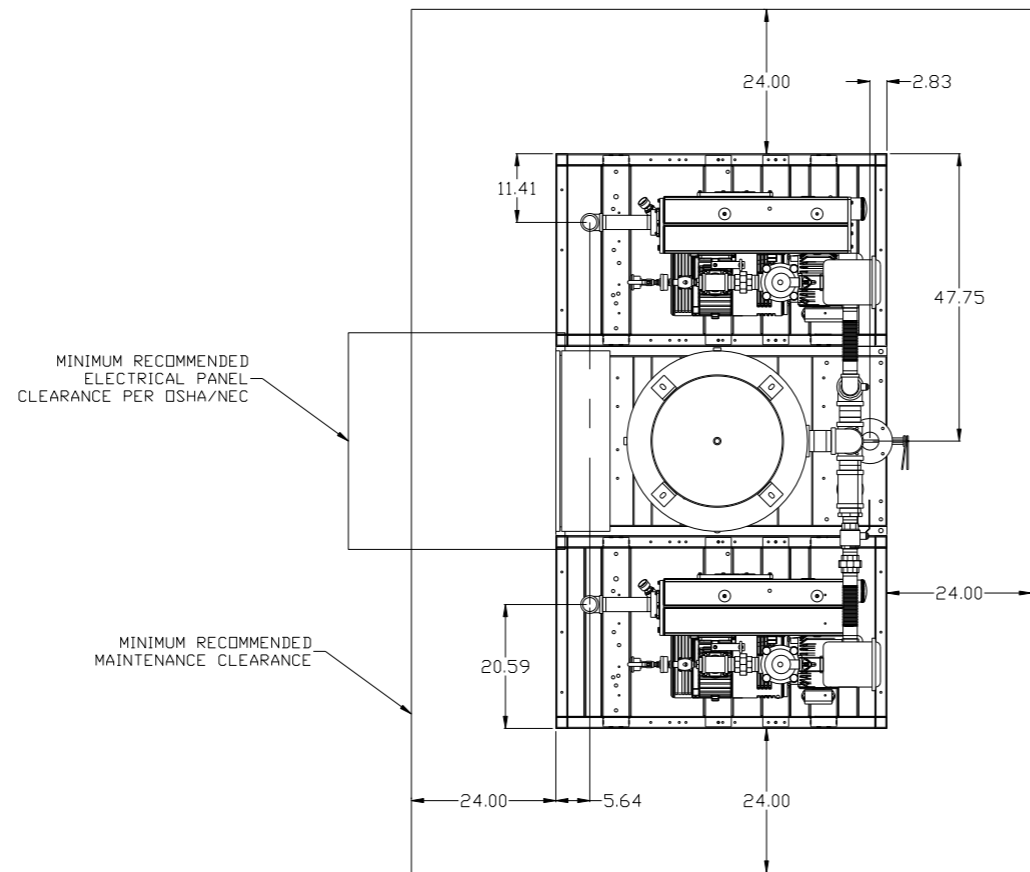
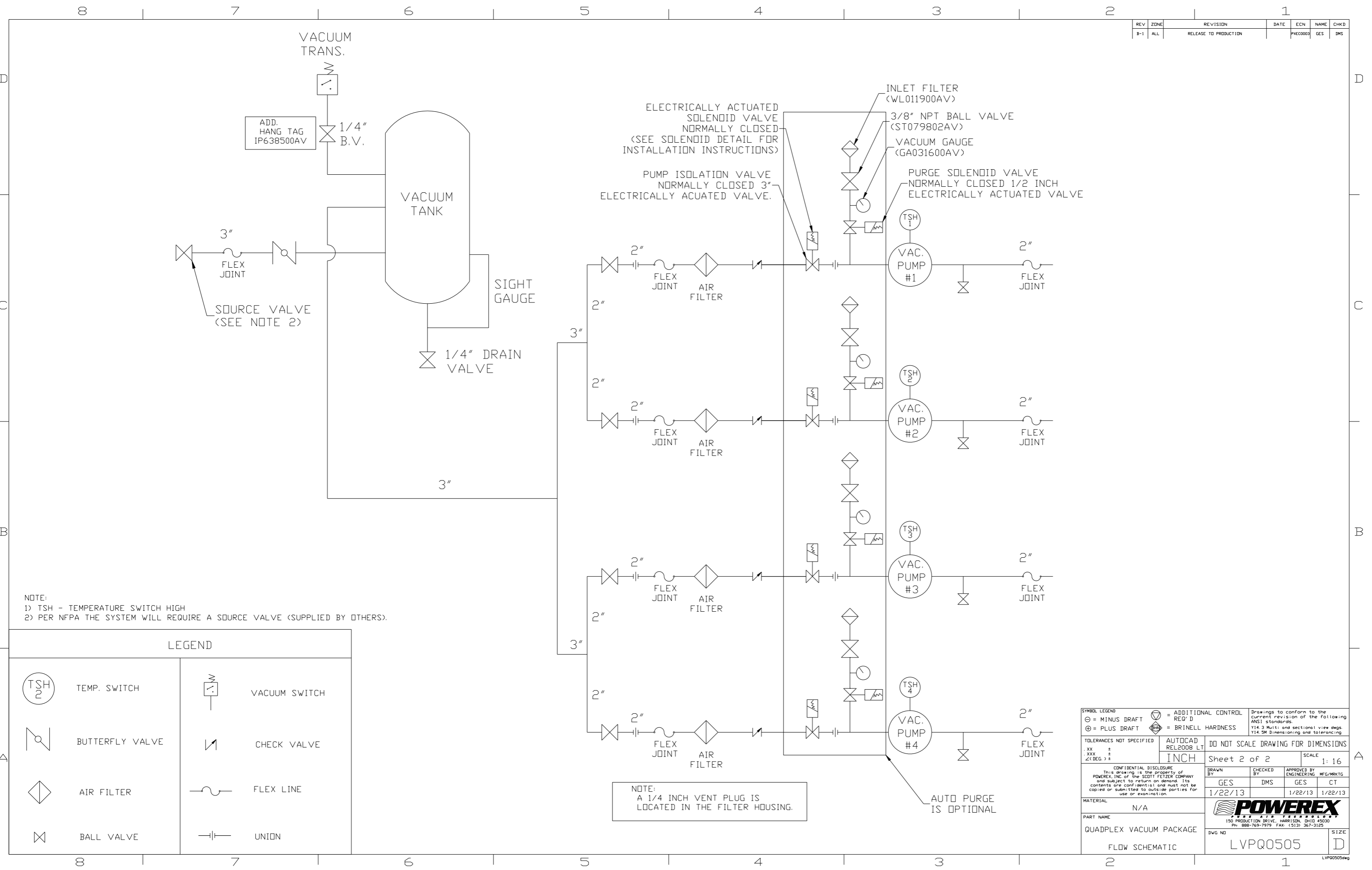


| REV | ZONE | REVISION | DATE | ECN | NAME | CHKD |
|-----|------|-----------------------|------|-----|------|------|
| B-1 | ALL | RELEASE TO PRODUCTION | | | GES | DMS |



| | | | | | |
|--|-------------------|---|----------------|---|-----------------|
| SYMBOL LEGEND ⊖ = MINUS DRAFT ⊕ = PLUS DRAFT TOLERANCES NOT SPECIFIED .XX ± .XXX ± \angle(DEG) ± | | = ADDITIONAL CONTROL REQ'D = BRINELL HARDNESS | | Drawings to conform to the current revision of the following ANSI standards: Y14.3 Multi and sectional view dsgs. Y14.5M Dimensioning and tolerancing | |
| AUTOCAD REL2008 LT INCH | | DO NOT SCALE DRAWING FOR DIMENSIONS Sheet 1 of 2 SCALE 1:16 | | CONFIDENTIAL DISCLOSURE This drawing is the property of POWEREX, INC. of the SCOTT FELTZER COMPANY and subject to return on demand. Its contents are confidential and must not be copied or submitted to outside parties for use or examination. | |
| DRAWN BY GES | CHECKED BY DMS | APPROVED BY GES | MFG/MKTG CT | DATE 1/22/13 | DATE 1/22/13 |
| MATERIAL N/A | | PART NAME SHP LAB VACUUM PACKAGE 200G QUADPLEX | | DWG NO LVPQ0505 | |

| REV | ZONE | REVISION | DATE | ECN | NAME | CHKD |
|-----|------|-----------------------|------|-----|---------|------|
| B-1 | ALL | RELEASE TO PRODUCTION | | | PKC0000 | DMS |



ADD. HANG TAG IP638500AV

3" FLEX JOINT
SOURCE VALVE (SEE NOTE 2)

VACUUM TRANS.

VACUUM TANK

SIGHT GAUGE

1/4" DRAIN VALVE

ELECTRICALLY ACTUATED SOLENOID VALVE NORMALLY CLOSED (SEE SOLENOID DETAIL FOR INSTALLATION INSTRUCTIONS)
PUMP ISOLATION VALVE NORMALLY CLOSED 3" ELECTRICALLY ACUATED VALVE.

INLET FILTER (WL011900AV)
3/8" NPT BALL VALVE (ST079802AV)
VACUUM GAUGE (GA031600AV)

PURGE SOLENOID VALVE NORMALLY CLOSED 1/2 INCH ELECTRICALLY ACTUATED VALVE

TSH 1

VAC. PUMP #1

TSH 2

VAC. PUMP #2

TSH 3

VAC. PUMP #3

TSH 4

VAC. PUMP #4

AUTO PURGE IS OPTIONAL

NOTE:
1) TSH - TEMPERATURE SWITCH HIGH
2) PER NFPA THE SYSTEM WILL REQUIRE A SOURCE VALVE (SUPPLIED BY OTHERS).

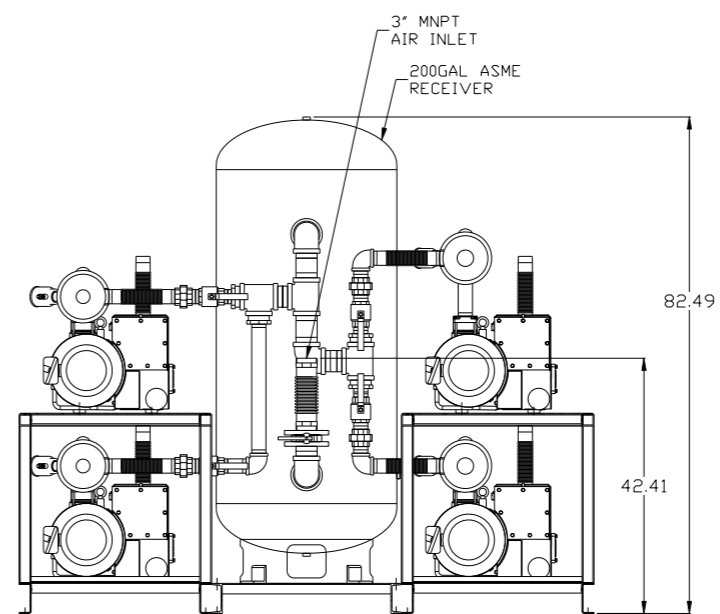
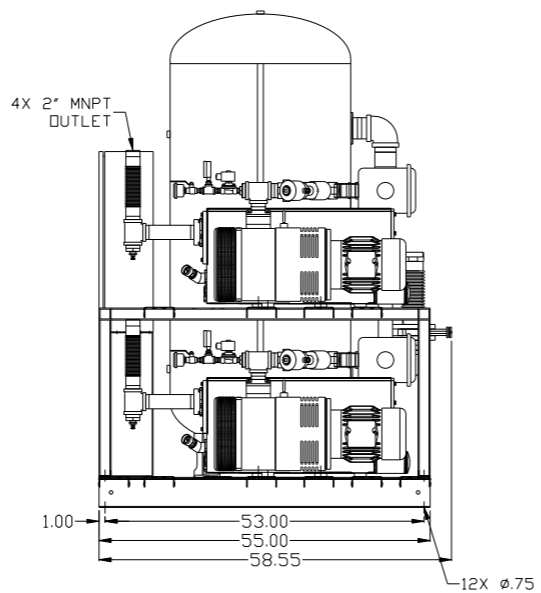
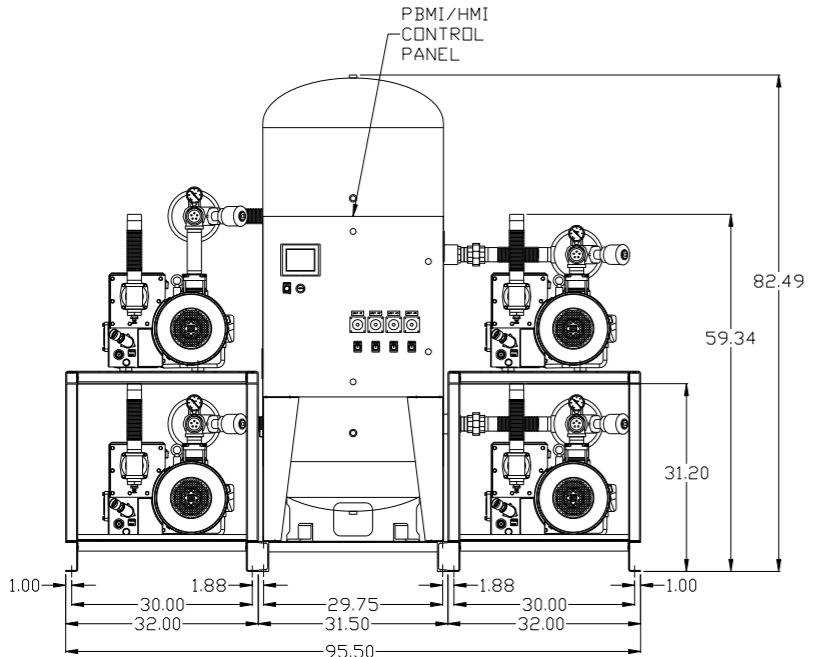
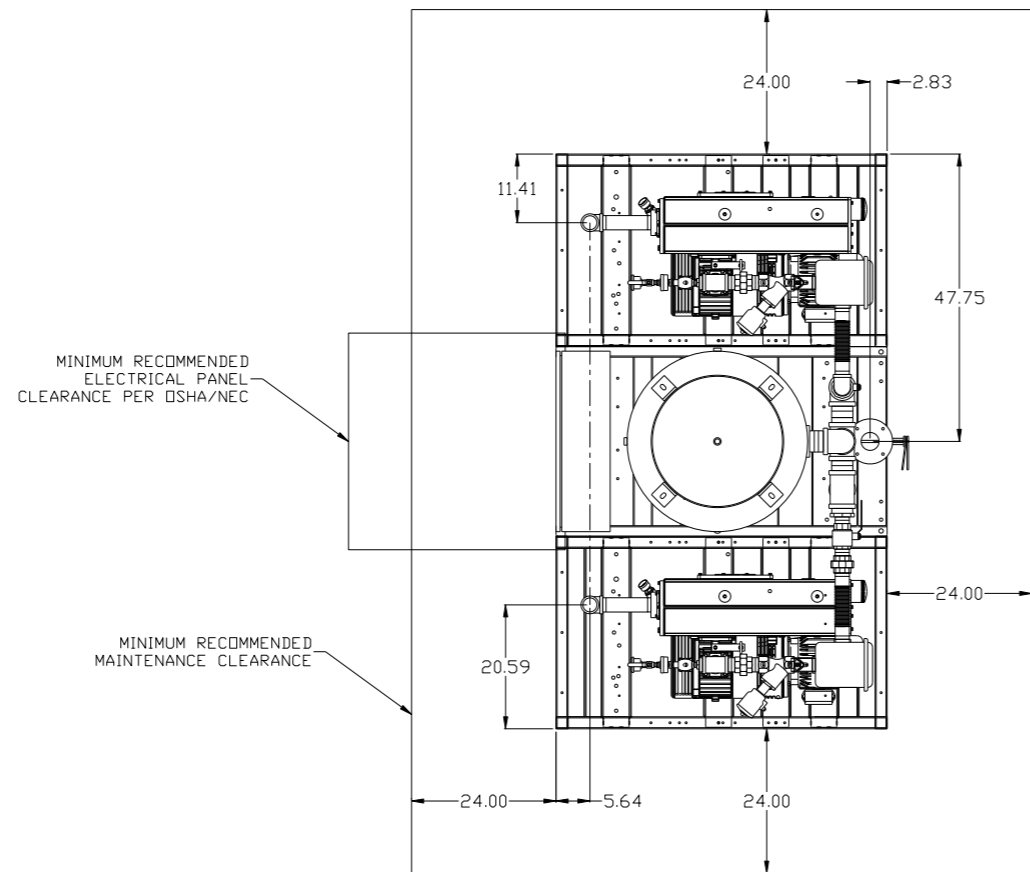
LEGEND

| | | | |
|--|-----------------|--|---------------|
| | TEMP. SWITCH | | VACUUM SWITCH |
| | BUTTERFLY VALVE | | CHECK VALVE |
| | AIR FILTER | | FLEX LINE |
| | BALL VALVE | | UNION |

NOTE:
A 1/4 INCH VENT PLUG IS LOCATED IN THE FILTER HOUSING.

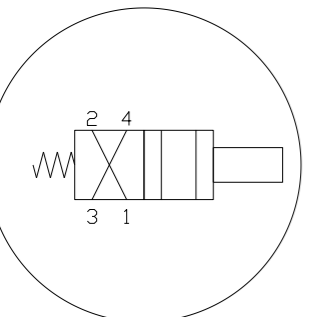
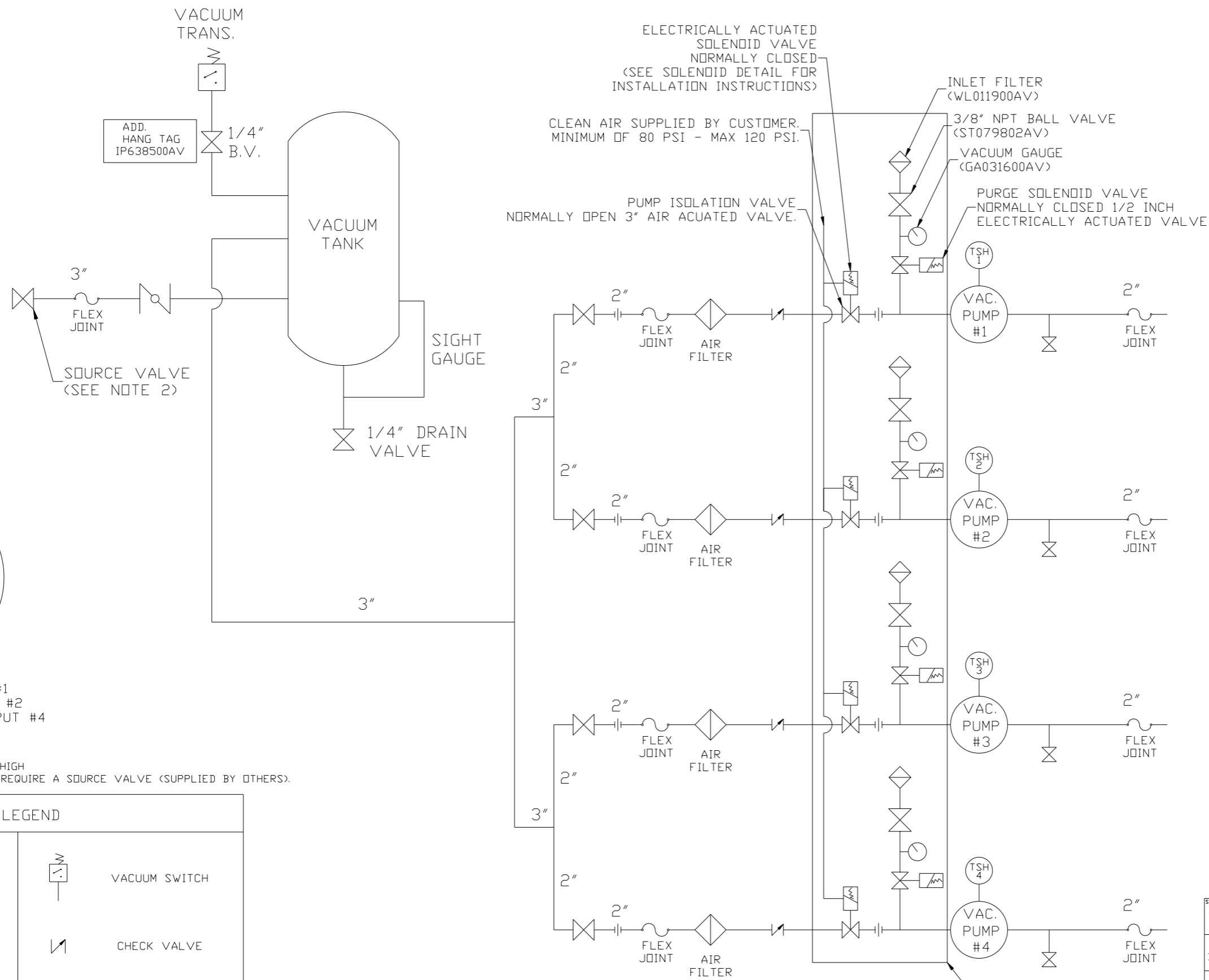
| | | | |
|--|--|---|---|
| SYMBOL LEGEND = MINUS DRAFT = PLUS DRAFT = ADDITIONAL CONTROL REQ'D = BRINELL HARDNESS | | Drawings to conform to the current revision of the following ANSI standards: Y14.3 Multi and sectional view dngs. Y14.5M Dimensioning and tolerancing | |
| TOLERANCES NOT SPECIFIED .XX ± .XXX ± <<DEG. > ± | | AUTOCAD REL2008 LT INCH | DO NOT SCALE DRAWING FOR DIMENSIONS Sheet 2 of 2 SCALE 1:16 |
| CONFIDENTIAL DISCLOSURE This drawing is the property of POWEREX, INC. of the SCOTT FETZER COMPANY and subject to return on demand. Its contents are confidential and must not be copied or submitted to outside parties for use or examination. | | DRAWN BY GES 1/22/13 | CHECKED BY DMS 1/22/13 |
| APPROVED BY GES 1/22/13 | | MFG/MRK'G CT 1/22/13 | |
| MATERIAL N/A | | 150 PRODUCTION DRIVE, HARRISON, OHIO 45030 Ph: 888-769-7979 FAX: (513) 367-3125 | |
| PART NAME QUADPLEX VACUUM PACKAGE | | DWG NO LVPQ0505 | SIZE D |
| FLOW SCHEMATIC | | LVPQ0505* | |

| REV | ZONE | REVISION | DATE | ECN | NAME | CHKD |
|-----|------|-----------------------|------|----------|------|------|
| B-1 | ALL | RELEASE TO PRODUCTION | | PKEC0003 | GES | DMS |



| | | | | |
|--|--|--|-------------------|--|
| SYMBOL LEGEND ⊖ = MINUS DRAFT ⊕ = PLUS DRAFT \angle (DEG) = | | = ADDITIONAL CONTROL REQ'D = BRINELL HARDNESS | | Drawings to conform to the current revision of the following ANSI standards: Y14.3 Multi and sectional view dgs. Y14.3M Dimensioning and tolerancing |
| TOLERANCES NOT SPECIFIED .XX ± .XXX ± \angle (DEG) ± | | AUTOCAD REL2008 LT INCH | | DO NOT SCALE DRAWING FOR DIMENSIONS Sheet 1 of 2 SCALE 1:16 |
| CONFIDENTIAL DISCLOSURE This drawing is the property of POWEREX, INC. of the SCOTT FELTZER COMPANY and subject to return on demand. Its contents are confidential and must not be copied or submitted to outside parties for use or examination. | | DRAWN BY GES | CHECKED BY DMS | APPROVED BY ENGINEERING MFG/MRKTG GES CT 1/22/13 1/22/13 1/22/13 |
| MATERIAL N/A | | 150 PRODUCTION DRIVE, HARRISON, OHIO 45030 Ph: 888-769-7979 FAX: (513) 367-3125 | | PART NAME SHP LAB VACUUM PACKAGE 200G QUADPLEX |
| DWG NO LVPQ0505 | | | SIZE D | |

| REV | ZONE | REVISION | DATE | ECN | NAME | CHKD |
|-----|------|-----------------------|------|-----|----------|------|
| B-1 | ALL | RELEASE TO PRODUCTION | | | PXE00003 | DMS |



SOLENOID DETAIL:
 1) VALVE - INPUT #1
 2) MUFFLER - INPUT #2
 3) SUPPLY AIR - INPUT #4

NOTE:
 1) TSH - TEMPERATURE SWITCH HIGH
 2) PER NFPA THE SYSTEM WILL REQUIRE A SOURCE VALVE (SUPPLIED BY OTHERS).

LEGEND

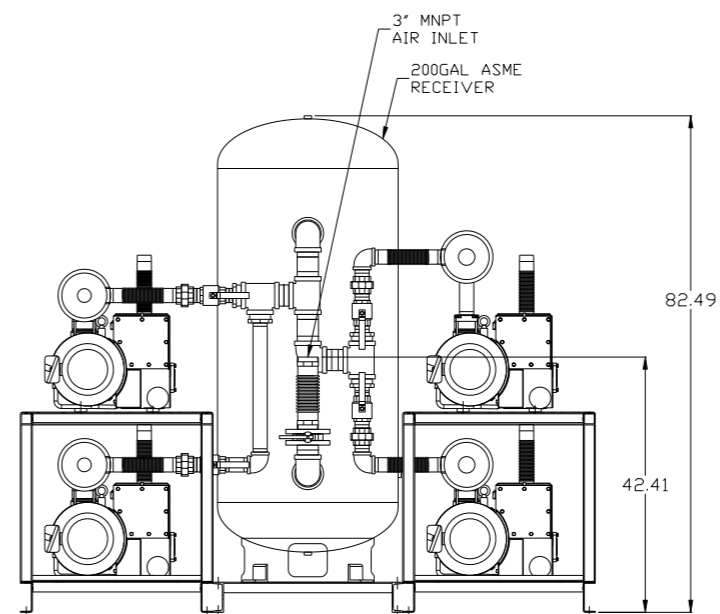
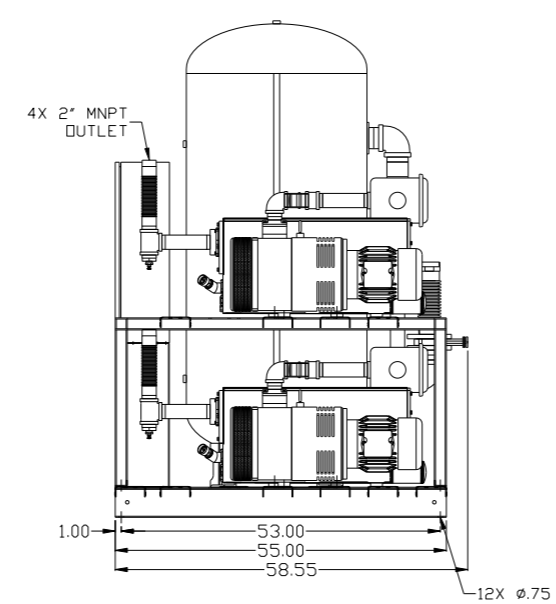
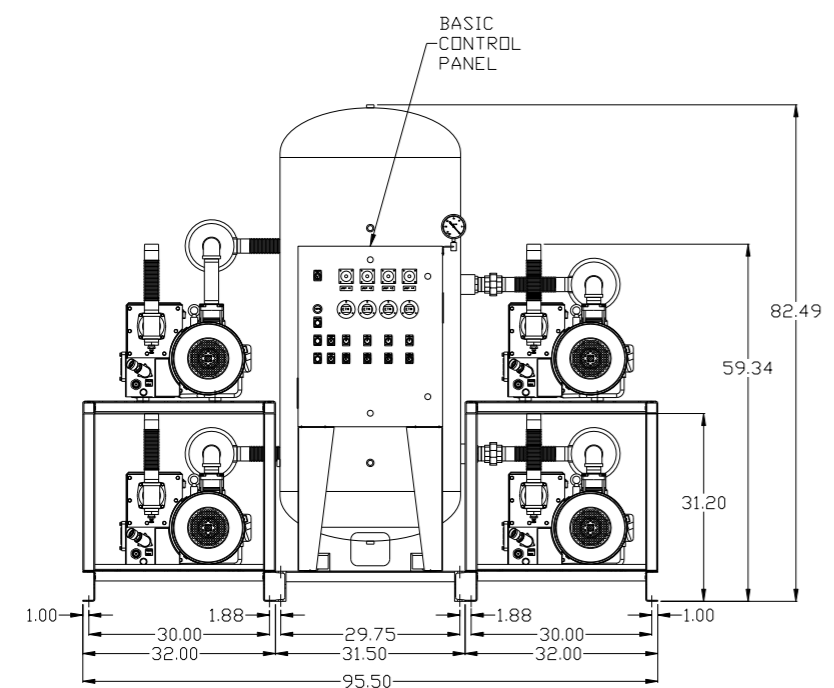
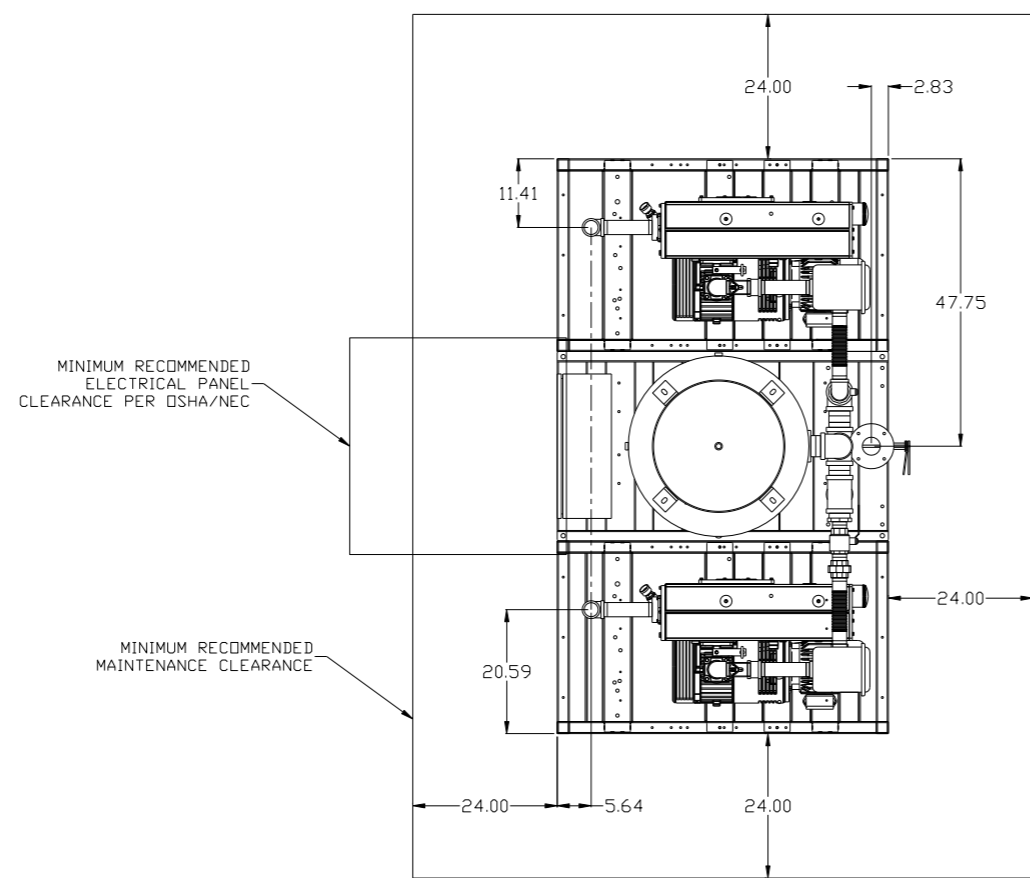
| | | | |
|--|-----------------|--|---------------|
| | TEMP. SWITCH | | VACUUM SWITCH |
| | BUTTERFLY VALVE | | CHECK VALVE |
| | AIR FILTER | | FLEX LINE |
| | BALL VALVE | | UNION |

NOTE:
 A 1/4 INCH VENT PLUG IS LOCATED IN THE FILTER HOUSING.

AUTO PURGE IS OPTIONAL

| | | | | | |
|--|--|--|-------------------|--|-----------------|
| SYMBOL LEGEND ⊖ = MINUS DRAFT ⊕ = PLUS DRAFT ⊕ = BRINELL HARDNESS | | = ADDITIONAL CONTROL REQ'D = BRINELL HARDNESS | | Drawings to conform to the current revision of the following ANSI standards: Y14.3 Multi and sectional view dgs. Y14.5M Dimensioning and tolerancing | |
| TOLERANCES NOT SPECIFIED .XX ± .XXX ± <DEG. ± | | AUTOCAD REL2008 LT INCH | | DO NOT SCALE DRAWING FOR DIMENSIONS Sheet 2 of 2 SCALE 1:16 | |
| CONFIDENTIAL DISCLOSURE This drawing is the property of POWEREX, INC. of the SCOTT FETZER COMPANY and subject to return on demand. Its contents are confidential and must not be copied or submitted to outside parties for use or examination. | | DRAWN BY GES | CHECKED BY DMS | APPROVED BY GES | MFG/MRK'G CT |
| MATERIAL N/A | | 150 PRODUCTION DRIVE, HARRISON, OHIO 45030 Ph: 888-769-7979 FAX: (513) 367-3125 | | DATE 1/22/13 | |
| PART NAME QUADPLEX VACUUM PACKAGE | | DWG NO LVPQ0505 | | SIZE D | |
| FLOW SCHEMATIC | | | | LVP0050500 | |

| REV | ZONE | REVISION | DATE | ECN | NAME | CHKD |
|-----|------|-----------------------|------|----------|------|------|
| B-1 | ALL | RELEASE TO PRODUCTION | | PXEC0003 | GES | DMS |



| | | | | | |
|--|--|--|--|--|--|
| SYMBOL LEGEND ⊖ = MINUS DRAFT ⊕ = PLUS DRAFT \angle (DEG) ± | | = ADDITIONAL CONTROL REQ'D = BRINELL HARDNESS | | Drawings to conform to the current revision of the following ANSI standards: Y14.3 Multi and sectional view dgs. Y14.5M Dimensioning and tolerancing | |
| TOLERANCES NOT SPECIFIED .XX ± .XXX ± \angle (DEG) ± | | AUTOCAD REL2008 LT INCH | | DO NOT SCALE DRAWING FOR DIMENSIONS Sheet 1 of 2 SCALE 1:16 | |
| CONFIDENTIAL DISCLOSURE This drawing is the property of POWEREX, INC. of the SCOTT FETZER COMPANY and subject to return on demand. Its contents are confidential and must not be copied or submitted to outside parties for use or examination. | | | | | |
| DRAWN BY GES | | CHECKED BY DMS | | APPROVED BY ENGINEERING MFG/MRKTG GES CT | |
| MATERIAL N/A | | DATE 1/22/13 | | DATE 1/22/13 1/22/13 | |
| PART NAME SHP LAB VACUUM PACKAGE 200G QUADPLEX | | DWG NO LVPQ0505 | | SIZE D | |

| REV | ZONE | REVISION | DATE | ECN | NAME | CHKD |
|-----|------|-----------------------|------|-----|------|------|
| B-1 | ALL | RELEASE TO PRODUCTION | | | GES | DMS |

VACUUM GAUGE 0-30" Hg

LEAD VACUUM SWITCH

LAG VACUUM SWITCH

LAG 2 VACUUM SWITCH

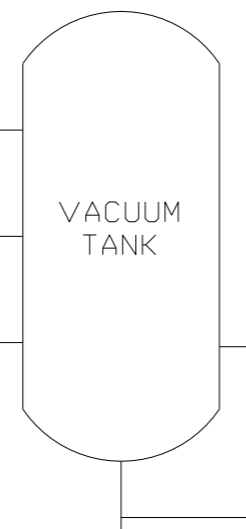
LAG 3 VACUUM SWITCH

LOW VACUUM SWITCH



ADD. HANG TAG IP638500AV

1/4" B.V.

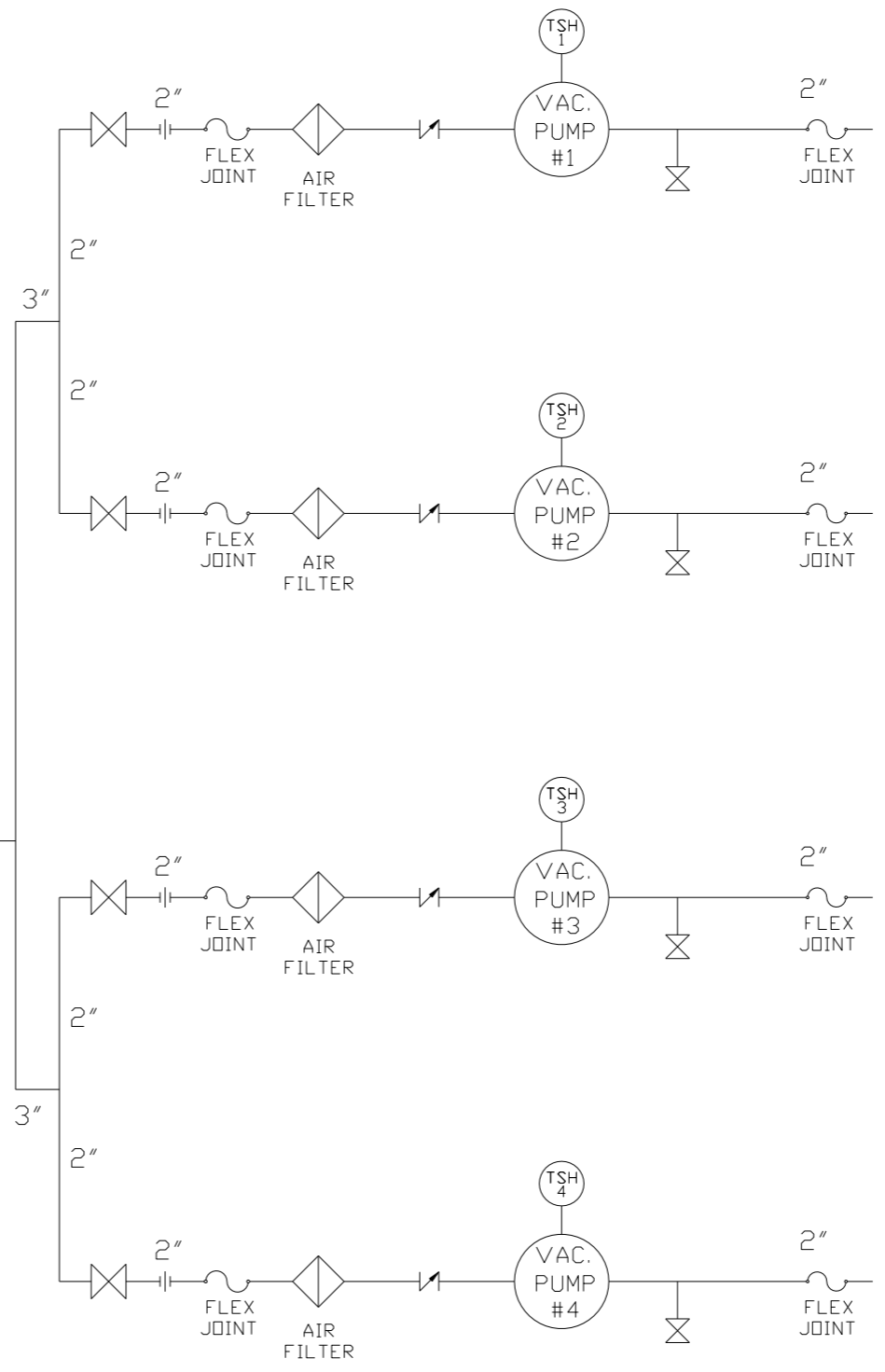


3" FLEX JOINT

SOURCE VALVE (SEE NOTE 2)

SIGHT GAUGE

1/4" DRAIN VALVE



NOTE:
A 1/4 INCH VENT PLUG IS LOCATED IN THE FILTER HOUSING.

LEGEND

| | | | |
|--|-----------------|--|---------------|
| | TEMP. SWITCH | | VACUUM SWITCH |
| | BUTTERFLY VALVE | | CHECK VALVE |
| | AIR FILTER | | FLEX LINE |
| | BALL VALVE | | UNION |

NOTE:
1) TSH - TEMPERATURE SWITCH HIGH
2) PER NFPA THE SYSTEM WILL REQUIRE A SOURCE VALVE (SUPPLIED BY OTHERS).

| | | | |
|---|--|--|--|
| SYMBOL LEGEND = MINUS DRAFT = PLUS DRAFT = ADDITIONAL CONTROL REQ'D = BRINELL HARDNESS | | Drawings to conform to the current revision of the following ANSI standards: Y14.3 Multi and sectional view dsgs Y14.5M Dimensioning and tolerancing | |
| TOLERANCES NOT SPECIFIED .XX ± .XXX ± <4 DEG. > ± | | AUTOCAD REL2008 LT INCH | DO NOT SCALE DRAWING FOR DIMENSIONS Sheet 2 of 2 SCALE 1:16 |
| CONFIDENTIAL DISCLOSURE This drawing is the property of POWEREX, INC. of the SCOTT FETZER COMPANY and subject to return on demand. Its contents are confidential and must not be copied or submitted to outside parties for use or examination. | | DRAWN BY GES | CHECKED BY DMS |
| MATERIAL N/A | | APPROVED BY GES | MFG/MKTG CT |
| PART NAME QUADPLEX VACUUM PACKAGE | | DATE 1/22/13 | DATE 1/22/13 |
| FLOW SCHEMATIC | | DWG NO LVPQ0505 | SIZE D |