

8 7 6 5 4 3 2 1

REV	ZONE	REVISION	DATE	ECN	NAME	CHKD
B-1	ALL	RELEASE TO PRODUCTION		PKEC0003	GES	DMS
C-1	1 ALL	UPDATED TO NEW RA SERIES PUMP	7/29/16	PKEC0148	AEK	GES

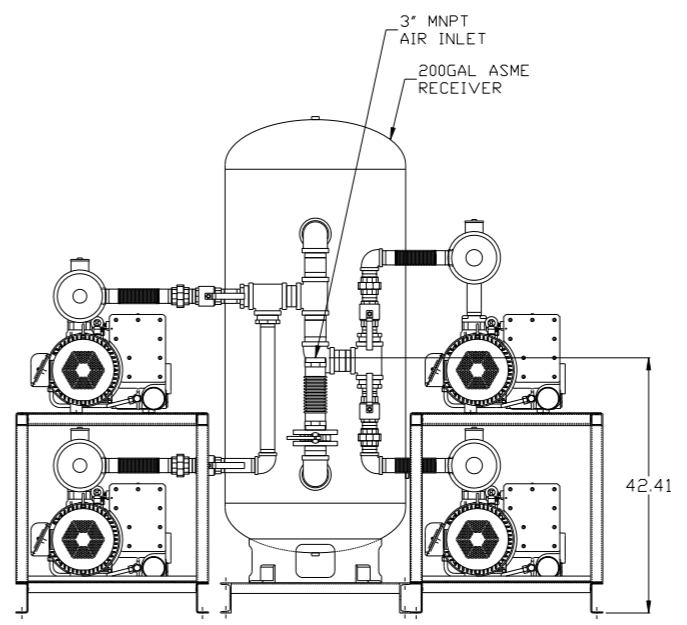
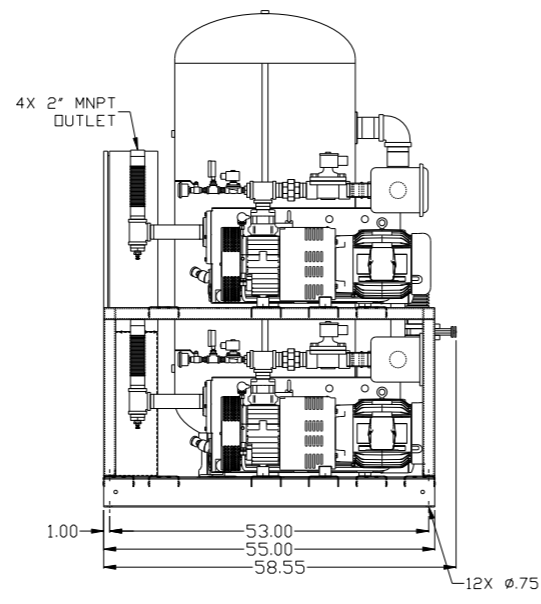
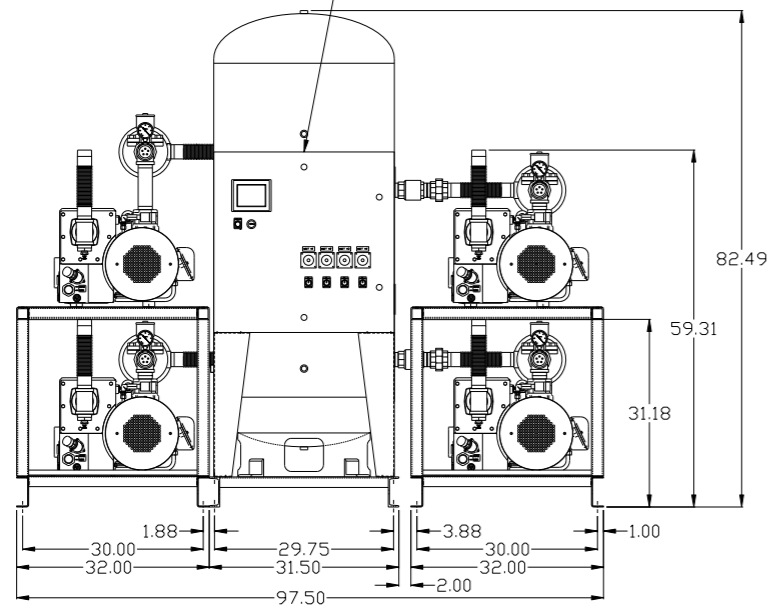
MINIMUM RECOMMENDED ELECTRICAL PANEL CLEARANCE PER OSHA/NEC REQUIREMENTS

MINIMUM RECOMMENDED MAINTENANCE CLEARANCE

PBMI CONTROL PANEL

4X 2" MNPT OUTLET

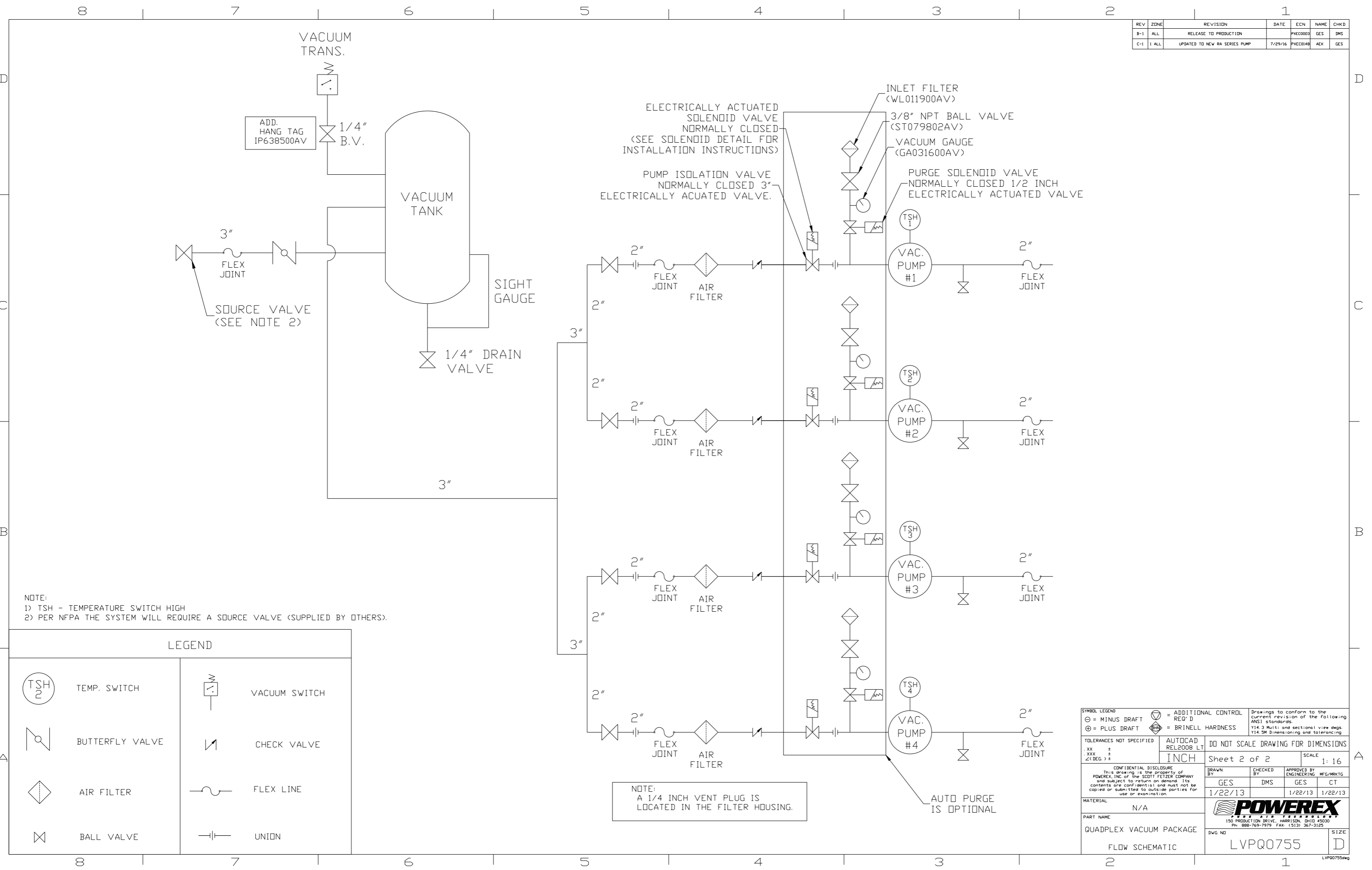
3" MNPT AIR INLET  
200GAL ASME RECEIVER



<b>SYMBOL LEGEND</b> ⊖ = MINUS DRAFT ⊕ = PLUS DRAFT .XX ± .XXX ± << DEG > ±		= ADDITIONAL CONTROL REQ'D = BRINELL HARDNESS		Drawings to conform to the current revision of the following ANSI standards: Y14.3 Multi and sectional view dgs. Y14.5M Dimensioning and tolerancing	
TOLERANCES NOT SPECIFIED .XX ± .XXX ± << DEG > ±		AUTOCAD REL2008 LT INCH		DO NOT SCALE DRAWING FOR DIMENSIONS Sheet 1 of 2 SCALE 1:16	
<b>CONFIDENTIAL DISCLOSURE</b> This drawing is the property of POWEREX, INC. of the SCOTT FELTZER COMPANY and subject to return on demand. Its contents are confidential and must not be copied or submitted to outside parties for use or examination.					
DRAWN BY GES		CHECKED BY DMS		APPROVED BY ENGINEERING MFG/MRKTG GES CT	
MATERIAL N/A		DATE 1/22/13		DATE 1/22/13 1/22/13	
PART NAME 7.5HP LAB VACUUM PACKAGE 200G QUADPLEX				DWG NO LVPQ0755	
				SIZE D	

8 7 6 5 4 3 2 1

REV	ZONE	REVISION	DATE	ECN	NAME	CHKD
B-1	ALL	RELEASE TO PRODUCTION		PXEC0003	GES	DMS
C-1	ALL	UPDATED TO NEW RA SERIES PUMP	7/29/16	PXEC0148	AEX	GES



NOTE:  
 1) TSH - TEMPERATURE SWITCH HIGH  
 2) PER NFPA THE SYSTEM WILL REQUIRE A SOURCE VALVE (SUPPLIED BY OTHERS).

LEGEND

	TEMP. SWITCH		VACUUM SWITCH
	BUTTERFLY VALVE		CHECK VALVE
	AIR FILTER		FLEX LINE
	BALL VALVE		UNION

NOTE:  
 A 1/4 INCH VENT PLUG IS LOCATED IN THE FILTER HOUSING.

AUTO PURGE IS OPTIONAL

SYMBOL LEGEND = MINUS DRAFT = PLUS DRAFT = ADDITIONAL CONTROL REQ'D = BRINELL HARDNESS		Drawings to conform to the current revision of the following ANSI standards: Y14.3 Multi and sectional view dngs. Y14.5M Dimensioning and tolerancing	
TOLERANCES NOT SPECIFIED .XX ± .XXX ± <<DEG. > ±		AUTOCAD REL2008 LT INCH	DO NOT SCALE DRAWING FOR DIMENSIONS Sheet 2 of 2 SCALE 1:16
CONFIDENTIAL DISCLOSURE This drawing is the property of POWEREX, INC. of the SCOTT FETZER COMPANY and subject to return on demand. Its contents are confidential and must not be copied or submitted to outside parties for use or examination.		DRAWN BY GES 1/22/13	CHECKED BY DMS 1/22/13
APPROVED BY GES 1/22/13		MFG/MRK'G CT 1/22/13	
MATERIAL N/A		 150 PRODUCTION DRIVE, HARRISON, OHIO 45030 Ph: 888-769-7979 FAX: (513) 367-3125	
PART NAME QUADPLEX VACUUM PACKAGE		DWG NO LVPQ0755	SIZE D
FLOW SCHEMATIC		LVPQ0755*	

8

7

6

5

4

3

2

1

REV	ZONE	REVISION	DATE	ECN	NAME	CHKD
B-1	ALL	RELEASE TO PRODUCTION		PKEC0003	GES	DMS
C-1	1 ALL	UPDATED TO NEW RA SERIES PUMP	7/29/16	PKEC0148	AEK	GES

MINIMUM RECOMMENDED ELECTRICAL PANEL CLEARANCE PER OSHA/NEC REQUIREMENTS

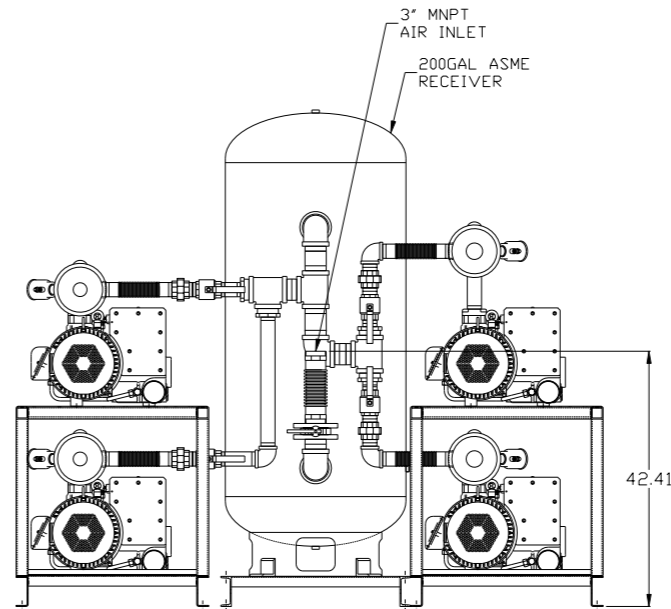
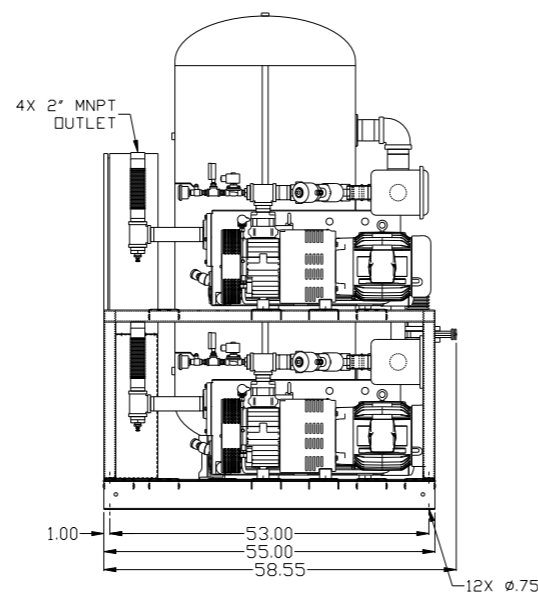
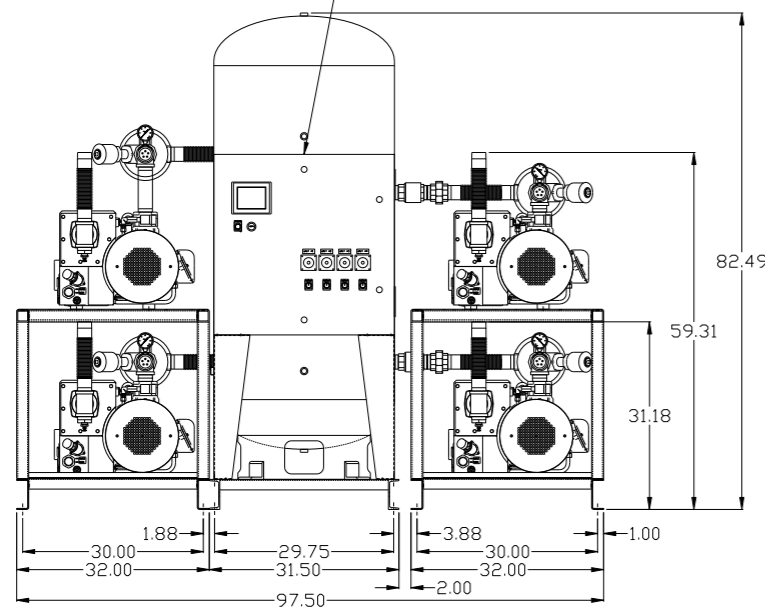
MINIMUM RECOMMENDED MAINTENANCE CLEARANCE

PBMI CONTROL PANEL

4X 2" MNPT OUTLET

3" MNPT AIR INLET

200GAL ASME RECEIVER



<b>SYMBOL LEGEND</b> ⊖ = MINUS DRAFT ⊕ = PLUS DRAFT .XX ± .XXX ± <math>\angle</math> (DEG) ±		= ADDITIONAL CONTROL REQ'D = BRINELL HARDNESS		Drawings to conform to the current revision of the following ANSI standards: Y14.3 Multi and sectional view dgs. Y14.5M Dimensioning and tolerancing
TOLERANCES NOT SPECIFIED .XX ± .XXX ± <math>\angle</math> (DEG) ±		AUTOCAD REL2008 LT INCH		DO NOT SCALE DRAWING FOR DIMENSIONS Sheet 1 of 2 SCALE 1:16
<b>CONFIDENTIAL DISCLOSURE</b> This drawing is the property of POWEREX, INC. of the SCOTT FELTZER COMPANY and subject to return on demand. Its contents are confidential and must not be copied or submitted to outside parties for use or examination.		DRAWN BY GES	CHECKED BY DMS	APPROVED BY ENGINEERING MFG/MRKTG GES CT 1/22/13 1/22/13 1/22/13
MATERIAL N/A		 150 PRODUCTION DRIVE, HARRISON, OHIO 45030 Ph: 888-769-7979 FAX: (513) 367-3125		PART NAME 7.5HP LAB VACUUM PACKAGE 200G QUADPLEX DWG NO LVPQ0755 SIZE D

8

7

6

5

4

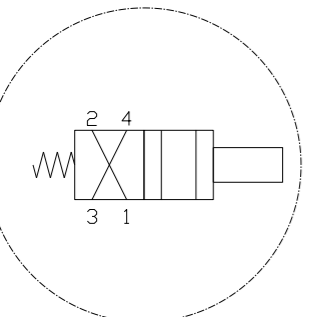
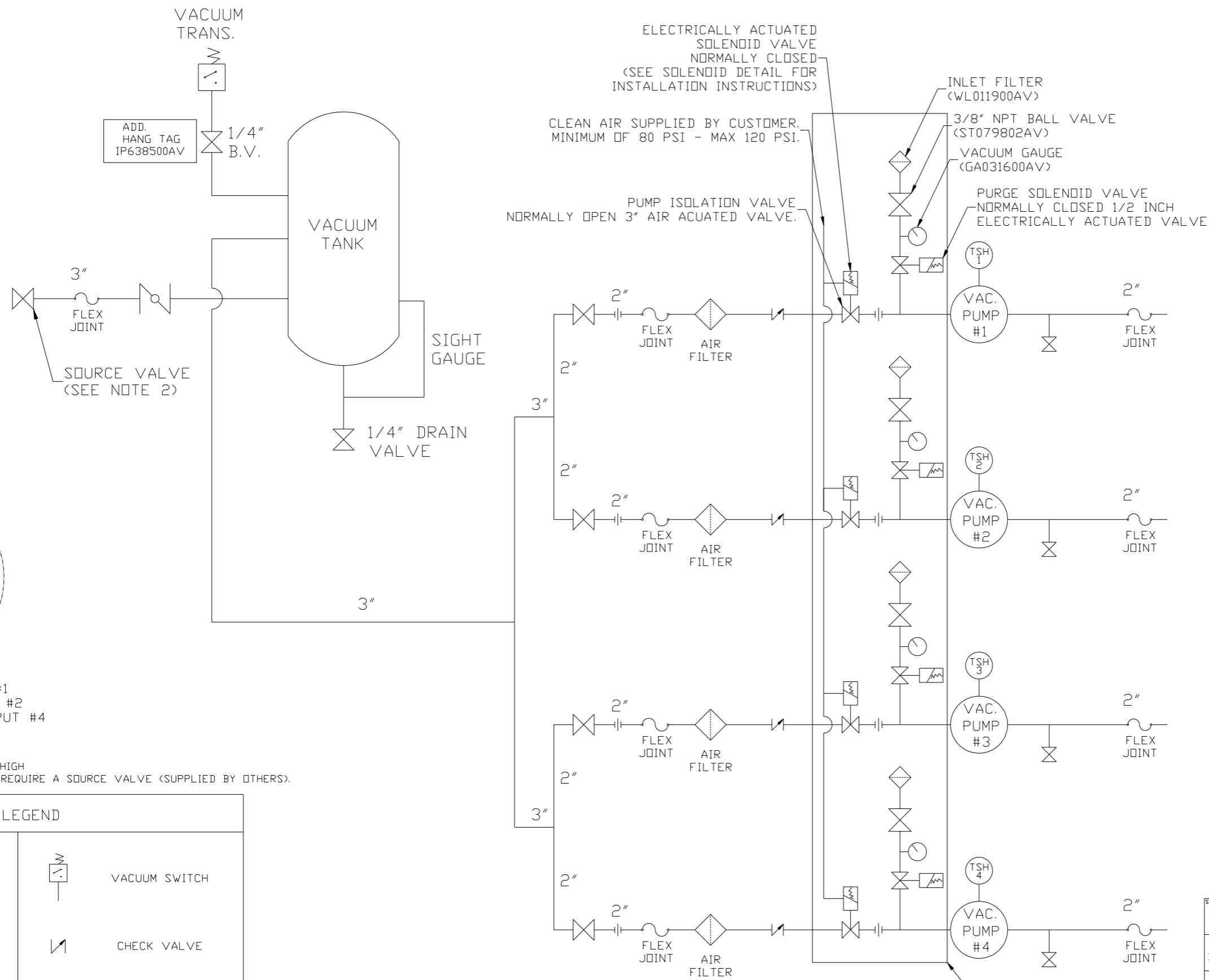
3

2

1

LVPQ0755.dwg

REV	ZONE	REVISION	DATE	ECN	NAME	CHKD
B-1	ALL	RELEASE TO PRODUCTION		PXEC0003	GES	DMS
C-1	1 ALL	UPDATED TO NEW RA SERIES PUMP	7/29/16	PXEC0148	AEX	GES



SOLENOID DETAIL:  
 1) VALVE - INPUT #1  
 2) MUFFLER - INPUT #2  
 3) SUPPLY AIR - INPUT #4

NOTE:  
 1) TSH - TEMPERATURE SWITCH HIGH  
 2) PER NFPA THE SYSTEM WILL REQUIRE A SOURCE VALVE (SUPPLIED BY OTHERS).

LEGEND

	TEMP. SWITCH		VACUUM SWITCH
	BUTTERFLY VALVE		CHECK VALVE
	AIR FILTER		FLEX LINE
	BALL VALVE		UNION

NOTE:  
 A 1/4 INCH VENT PLUG IS LOCATED IN THE FILTER HOUSING.

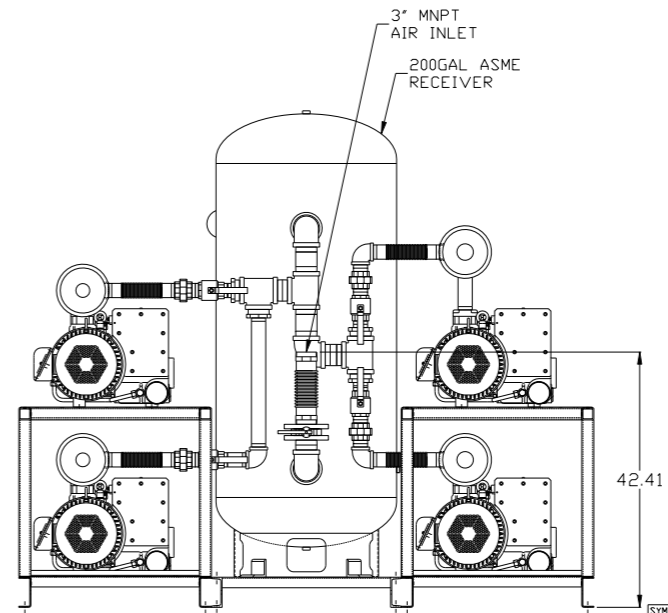
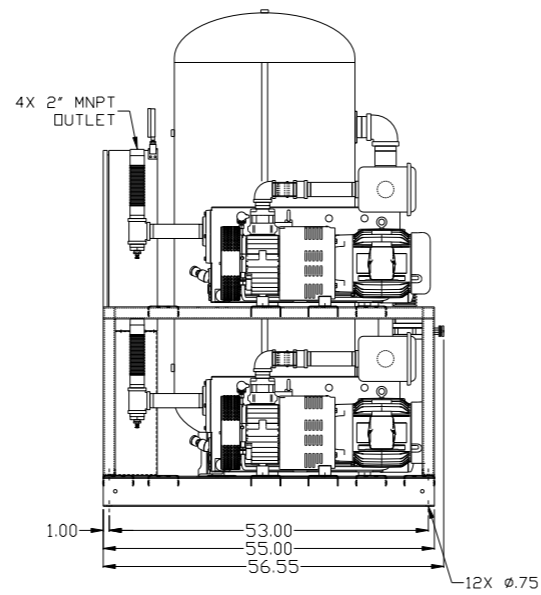
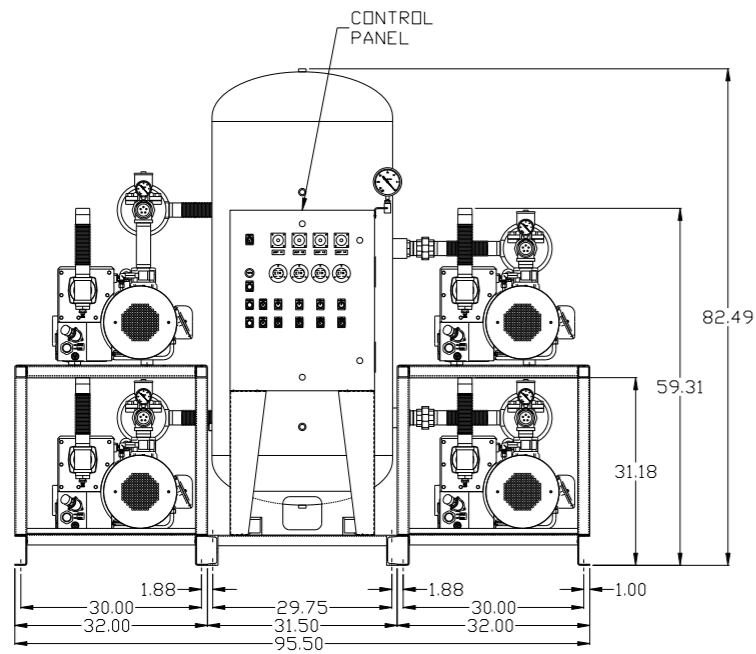
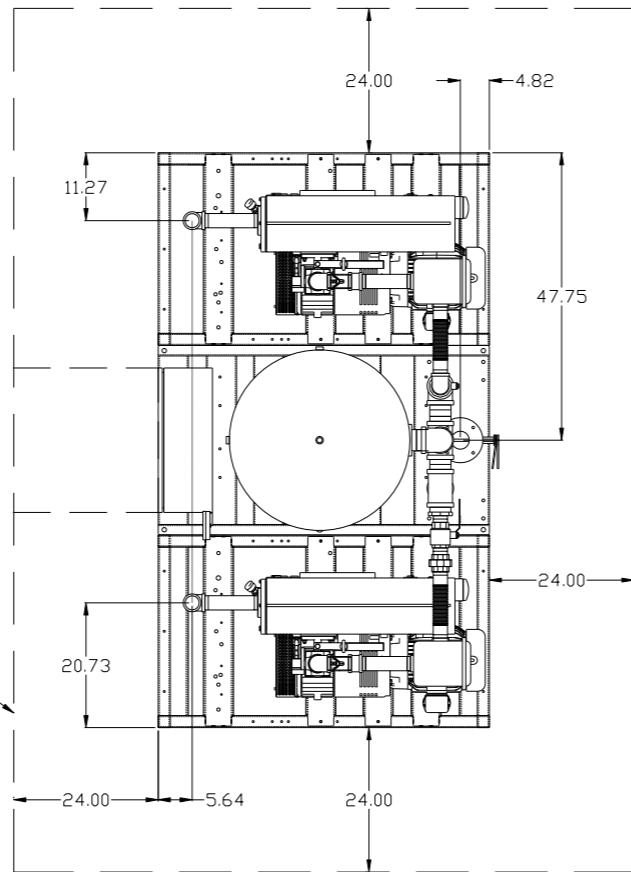
AUTO PURGE IS OPTIONAL

<b>SYMBOL LEGEND</b> = MINUS DRAFT = PLUS DRAFT = ADDITIONAL CONTROL REQ'D = BRINELL HARDNESS		Drawings to conform to the current revision of the following ANSI standards: Y14.3 Multi and sectional view dgs. Y14.5M Dimensioning and tolerancing	
TOLERANCES NOT SPECIFIED: .XX ± .XXX ± <DEG. ±		AUTOCAD REL2008 LT INCH	DO NOT SCALE DRAWING FOR DIMENSIONS Sheet 2 of 2 SCALE 1:16
<b>CONFIDENTIAL DISCLOSURE</b> This drawing is the property of POWEREX, INC. of the SCOTT FETZER COMPANY and subject to return on demand. Its contents are confidential and must not be copied or submitted to outside parties for use or examination.		DRAWN BY: GES 1/22/13	CHECKED BY: DMS 1/22/13 APPROVED BY: GES 1/22/13 MFG/MRK'G: CT 1/22/13
MATERIAL: N/A		<b>POWEREX</b> 150 PRODUCTION DRIVE, HARRISON, OHIO 45030 Ph: 888-769-7979 FAX: (513) 367-3125	
PART NAME: QUADPLEX VACUUM PACKAGE FLOW SCHEMATIC		DWG NO: LVPQ0755	SIZE: D LVP0075500

REV	ZONE	REVISION	DATE	ECN	NAME	CHKD
B-1	ALL	RELEASE TO PRODUCTION		PXEC0003	GES	DMS
C-1	1 ALL	UPDATED TO NEW RA SERIES PUMP	7/29/16	PXEC0148	AEK	GES

MINIMUM RECOMMENDED ELECTRICAL PANEL CLEARANCE PER OSHA/NEC REQUIREMENTS

MINIMUM RECOMMENDED MAINTENANCE CLEARANCE



SYMBOL LEGEND  
 ⊖ = MINUS DRAFT  
 ⊕ = PLUS DRAFT  
 Ⓢ = ADDITIONAL CONTROL REQ'D  
 Ⓜ = BRINELL HARDNESS

TOLERANCES NOT SPECIFIED  
 .XX ±  
 .XXX ±  
 <math>\angle</math>(DEG) ±

AUTOCAD REL2008 LT  
 INCH

DO NOT SCALE DRAWING FOR DIMENSIONS  
 Sheet 1 of 2  
 SCALE 1:16

CONFIDENTIAL DISCLOSURE  
 This drawing is the property of POWEREX, INC. of the SCOTT FETZER COMPANY and subject to return on demand. Its contents are confidential and must not be copied or submitted to outside parties for use or examination.

DRAWN BY	CHECKED BY	APPROVED BY	ENGINEERING	MFG/MRKTG
GES	DMS	GES	CT	
1/22/13		1/22/13	1/22/13	

MATERIAL: N/A

PART NAME: 7.5HP LAB VACUUM PACKAGE 200G QUADPLEX

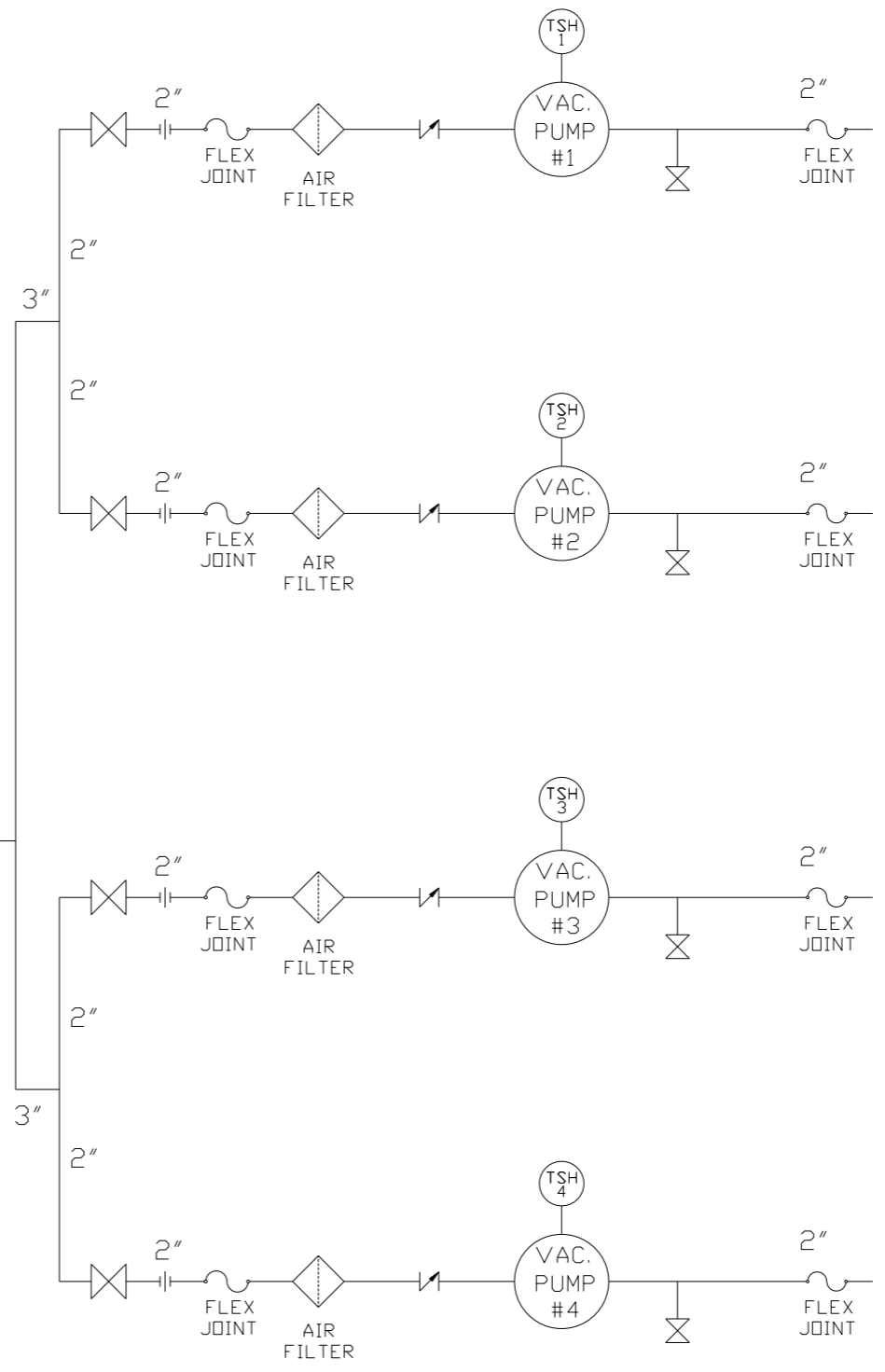
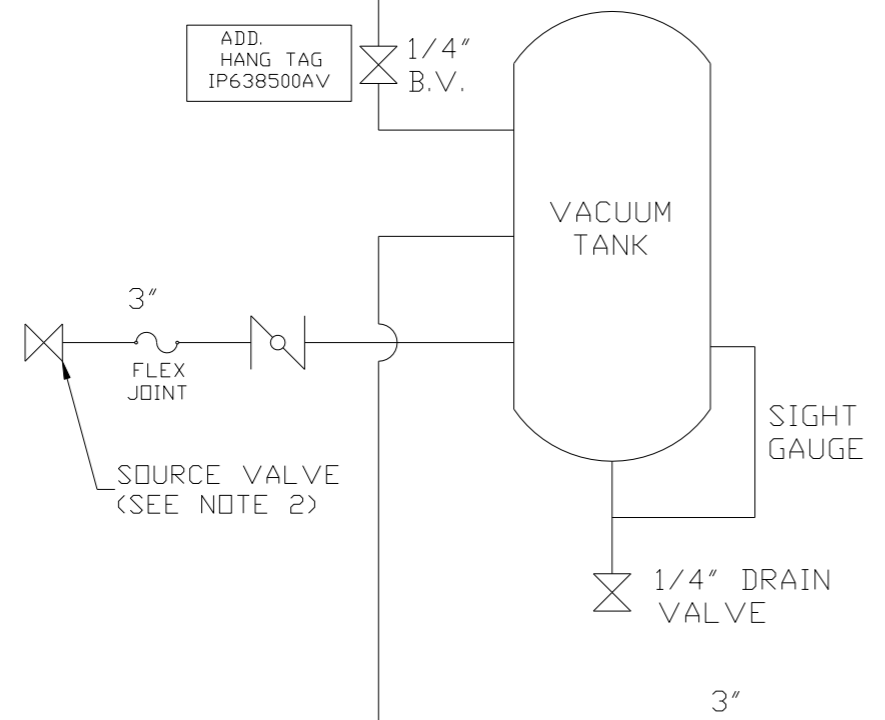
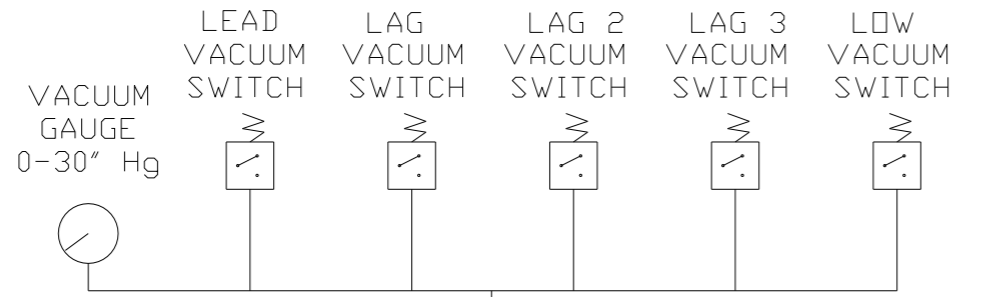
DWG NO: LVPQ0755

SIZE: D

POWEREX  
 150 PRODUCTION DRIVE, HARRISON, OHIO 45030  
 Ph: 888-769-7979 FAX: (513) 367-3125

LVPQ0755.dwg

REV	ZONE	REVISION	DATE	ECN	NAME	CHKD
B-1	ALL	RELEASE TO PRODUCTION		PXEC0003	GES	DMS
C-1	ALL	UPDATED TO NEW RA SERIES PUMP	7/29/16	PXEC0148	AEX	GES



NOTE:  
A 1/4 INCH VENT PLUG IS LOCATED IN THE FILTER HOUSING.

LEGEND

	TEMP. SWITCH		VACUUM SWITCH
	BUTTERFLY VALVE		CHECK VALVE
	AIR FILTER		FLEX LINE
	BALL VALVE		UNION

NOTE:  
1) TSH - TEMPERATURE SWITCH HIGH  
2) PER NFPA THE SYSTEM WILL REQUIRE A SOURCE VALVE (SUPPLIED BY OTHERS).

<p>SYMBOL LEGEND</p> <p>⊖ = MINUS DRAFT</p> <p>⊕ = PLUS DRAFT</p>		<p>⊖ = ADDITIONAL CONTROL REQ'D</p> <p>⊕ = BRINELL HARDNESS</p>		<p>Drawings to conform to the current revision of the following ANSI standards:</p> <p>Y14.3 Multi and sectional view deqs</p> <p>Y14.5M Dimensioning and tolerancing</p>	
<p>TOLERANCES NOT SPECIFIED</p> <p>.XX ±</p> <p>.XXX ±</p> <p>&lt;4 DEG. ±</p>		<p>AUTOCAD REL2008 LT</p> <p>INCH</p>		<p>DO NOT SCALE DRAWING FOR DIMENSIONS</p> <p>Sheet 2 of 2</p> <p>SCALE 1:16</p>	
<p>CONFIDENTIAL DISCLOSURE</p> <p>This drawing is the property of POWEREX, INC. of the SCOTT FETZER COMPANY and subject to return on demand. Its contents are confidential and must not be copied or submitted to outside parties for use or examination.</p>		<p>DRAWN BY</p> <p>GES</p> <p>1/22/13</p>		<p>CHECKED BY</p> <p>DMS</p> <p>1/22/13</p>	
<p>APPROVED BY</p> <p>GES</p> <p>1/22/13</p>		<p>APPROVED BY</p> <p>CT</p> <p>1/22/13</p>		<p>MFG/MKTG</p>	
<p>MATERIAL</p> <p>N/A</p>		<p>POWEREX</p> <p>150 PRODUCTION DRIVE, HARRISON, OHIO 45030</p> <p>Ph: 888-769-7979 FAX: (513) 367-3125</p>		<p>SIZE</p> <p>D</p>	
<p>PART NAME</p> <p>QUADPLEX VACUUM PACKAGE</p> <p>FLOW SCHEMATIC</p>		<p>DWG NO</p> <p>LVPQ0755</p>		<p>SIZE</p> <p>D</p>	