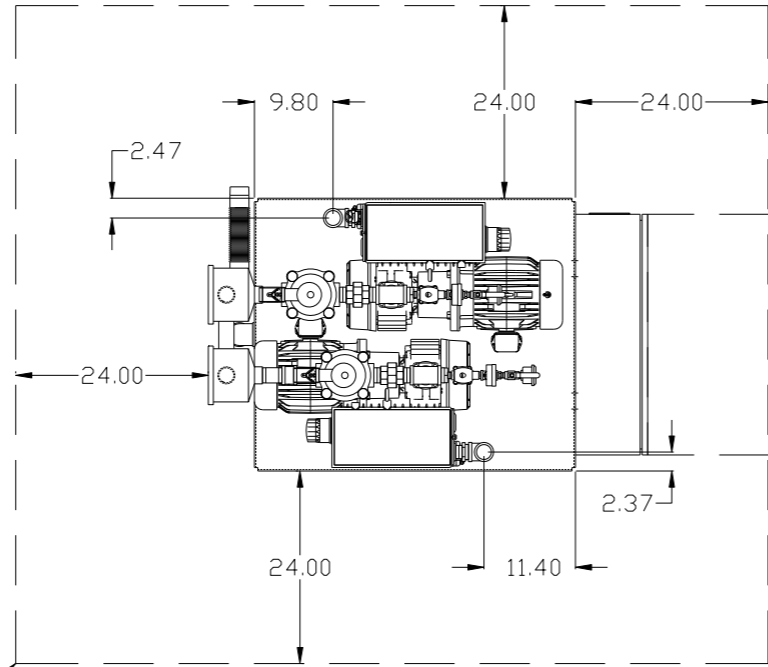
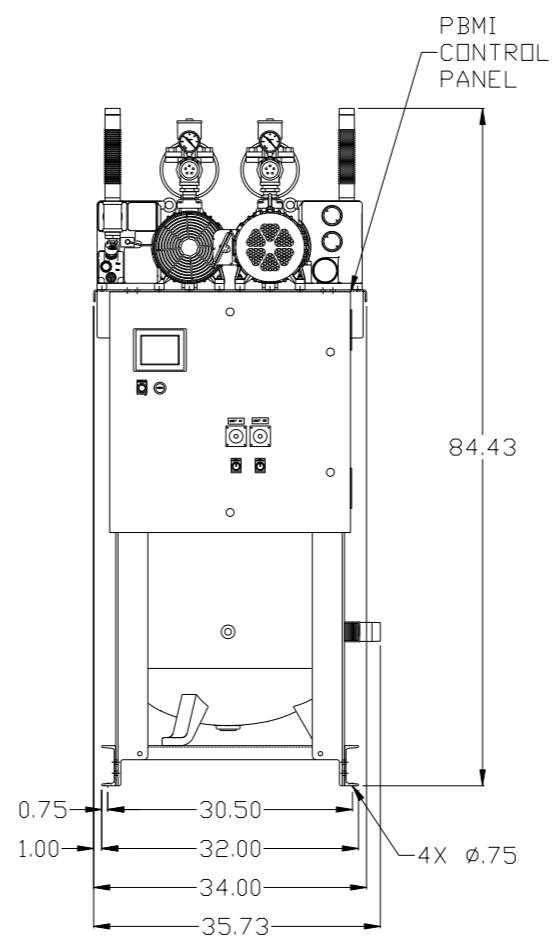
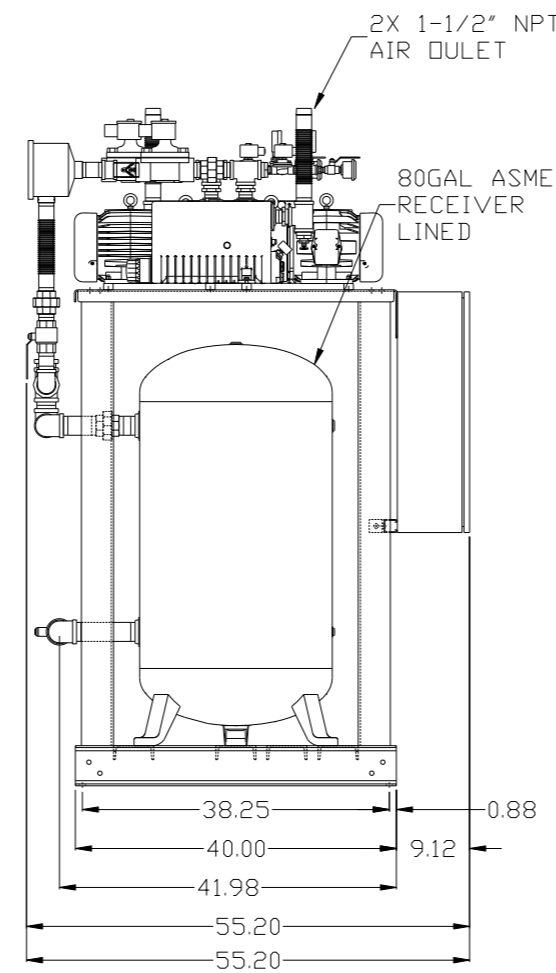
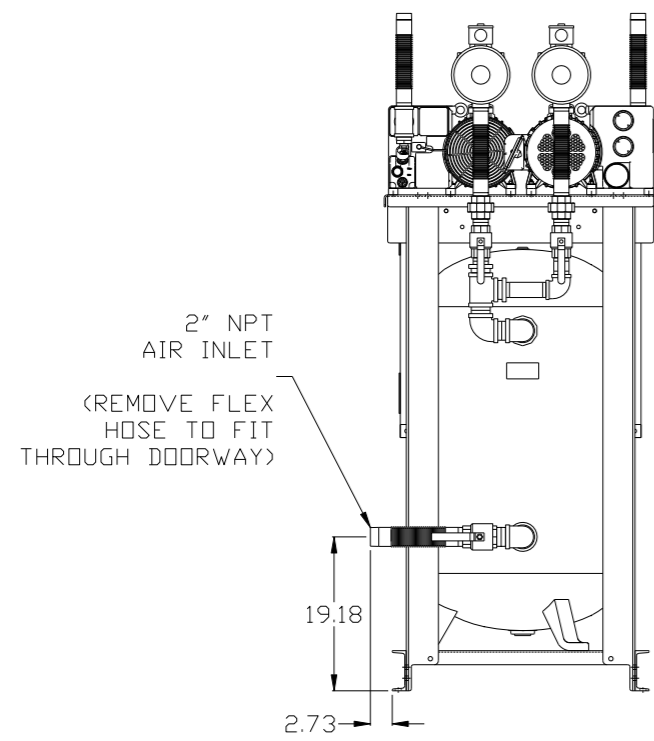


REV	ZONE	REVISION	DATE	ECN	NAME	CHKD
B-1	ALL	RELEASE TO PRODUCTION	1/2/13	PKE0003	GES	DMS
C-1	I ALL	UPDATED TO RA SERIES PUMP	10/3/16	PKE00148	AEK	GES
D-1	I ALL	ADDED LINING NOTE TO TANK	4/13/18	PKE00229	MAH	GES



MINIMUM RECOMMENDED ELECTRICAL PANEL CLEARANCE PER OSHA/NEC REQUIREMENTS

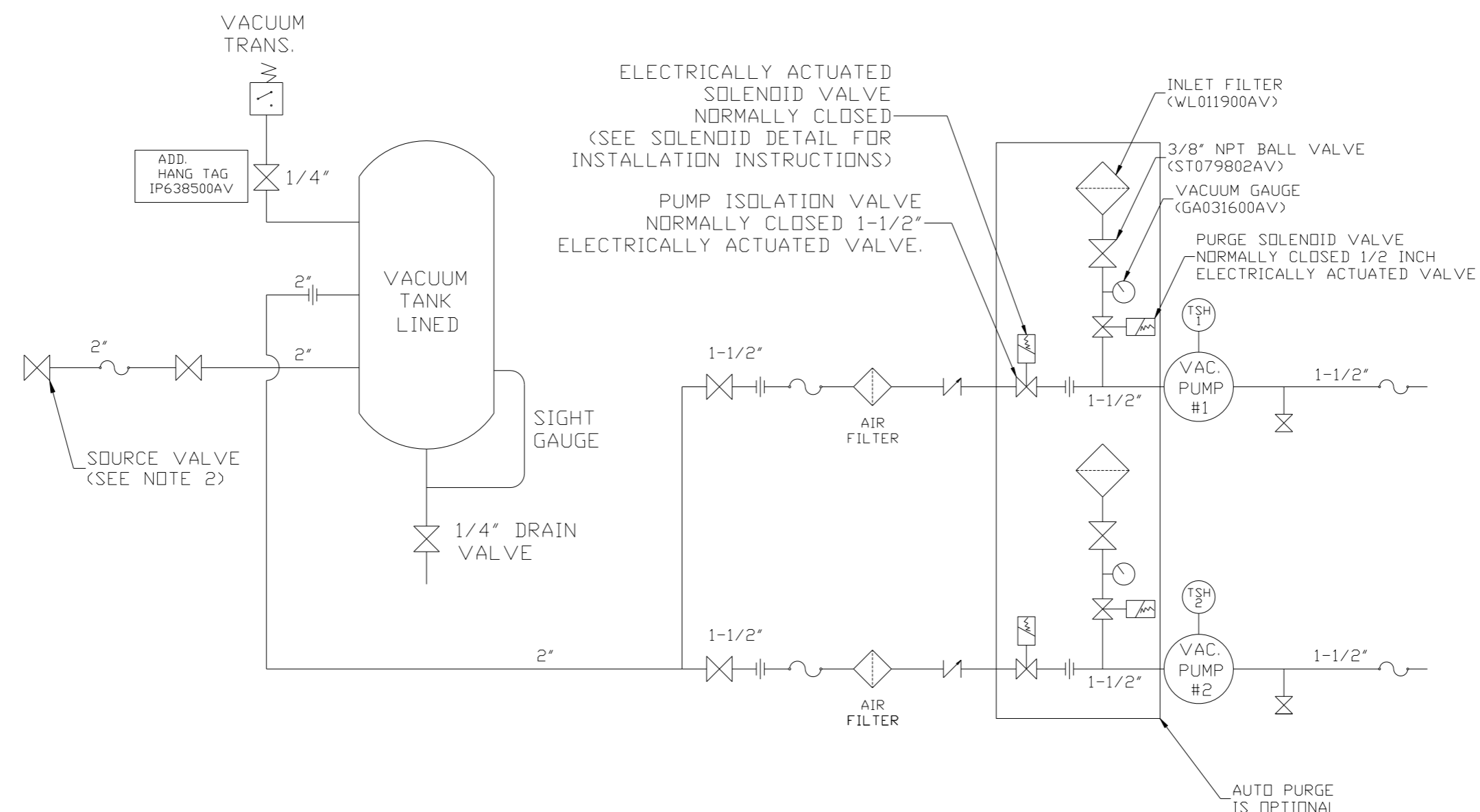
MINIMUM RECOMMENDED MAINTENANCE CLEARANCE



NOTE: AUTO PURGE IS OPTIONAL.

<b>SYMBOL LEGEND</b> ⊖ = MINUS DRAFT ⊕ = PLUS DRAFT Ⓢ = BRINELL HARDNESS		= ADDITIONAL CONTROL REQ'D = BRINELL HARDNESS		Drawings to conform to the current revision of the following ANSI standards: Y14.3 Multi and sectional view dgs. Y14.5M Dimensioning and tolerancing
TOLERANCES NOT SPECIFIED .XX ± .XXX ± <math>\angle</math> (DEG.) ±		AUTOCAD REL2008 LT INCH	DO NOT SCALE DRAWING FOR DIMENSIONS Sheet 1 of 2 SCALE 1:12	
<b>CONFIDENTIAL DISCLOSURE</b> This drawing is the property of POWEREX, INC. of the SCOTT FETZER COMPANY and subject to return on demand. Its contents are confidential and must not be copied or submitted to outside parties for use or examination.				
DRAWN BY GES	CHECKED BY DMS	APPROVED BY JBC	MFG/MKTG CT	
MATERIAL N/A		 150 PRODUCTION DRIVE, HARRISON, OHIO 45030 Ph: 888-769-7979 FAX: (513) 367-3125		
PART NAME 3HP LAB VACUUM 80G DUPLEX TANK MOUNTED		DWG NO LVVD0303	SIZE D	

REV	ZONE	REVISION	DATE	ECN	NAME	CHKD
B-1	ALL	RELEASE TO PRODUCTION	1/2/13	PKE0003	GES	DMS
C-1	1 ALL	UPDATED TO RA SERIES PUMP	10/3/16	PKE0048	AEK	GES
D-1	1 ALL	ADDED LINING NOTE TO TANK	4/13/18	PKE0029	MAH	GES



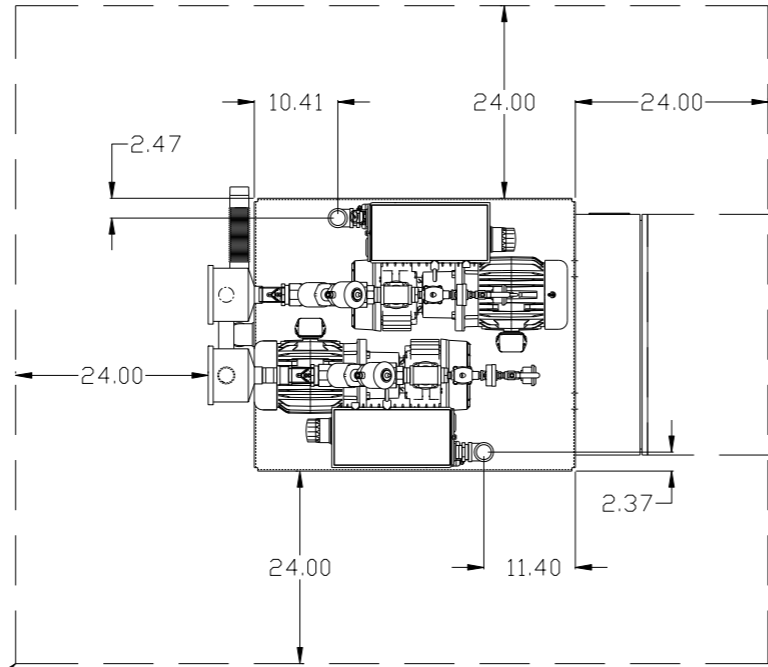
LEGEND	
	TEMP. SWITCH
	BUTTERFLY VALVE
	AIR FILTER
	BALL VALVE
	VACUUM SWITCH
	CHECK VALVE
	FLEX LINE
	UNION

NOTE:  
A 1/4 INCH VENT PLUG IS  
LOCATED IN THE FILTER HOUSING.

NOTE:  
1) TSH - TEMPERATURE SWITCH HIGH  
2) PER NFPA THE SYSTEM WILL REQUIRE A SOURCE VALVE (SUPPLIED BY OTHERS).

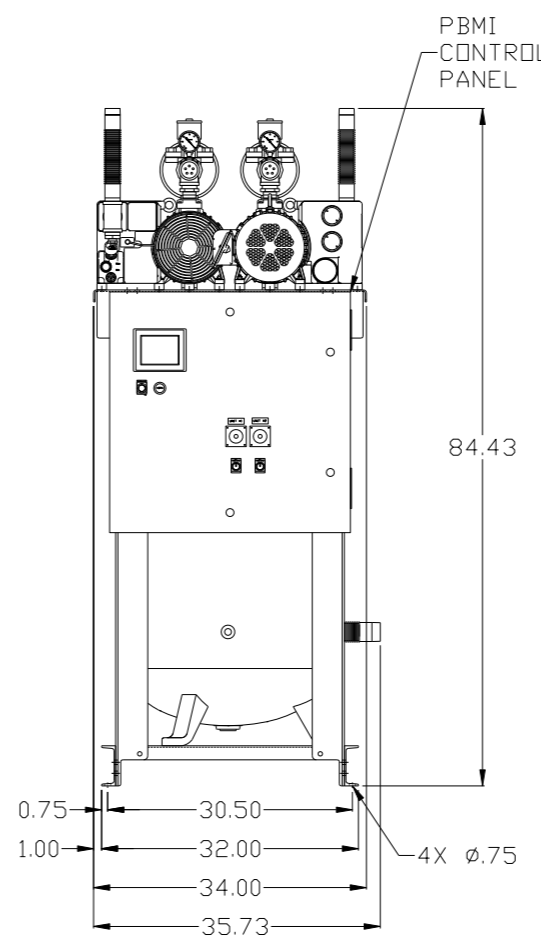
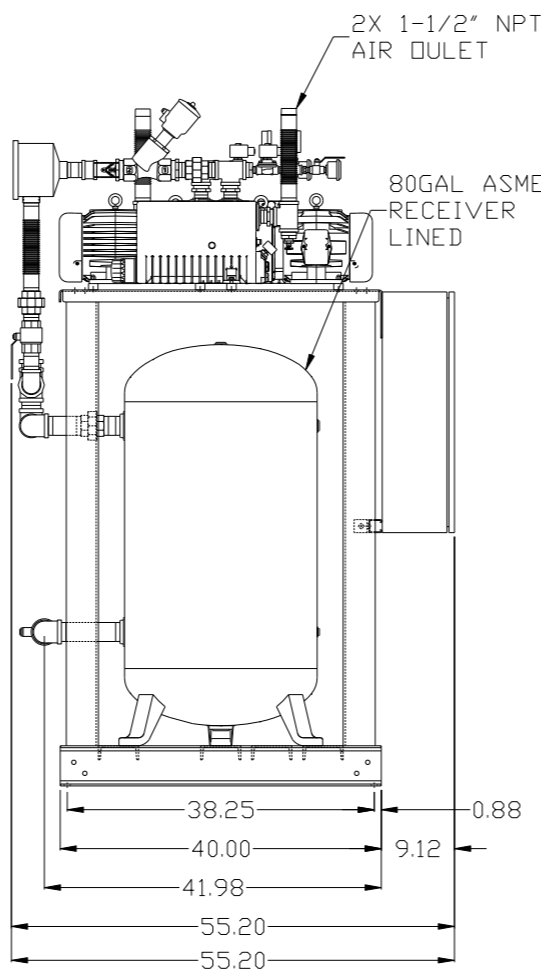
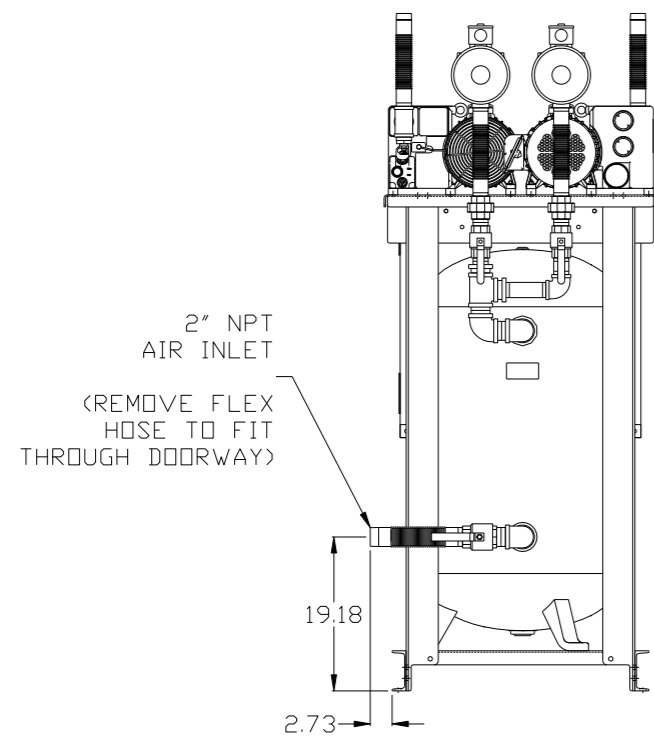
SYMBOL LEGEND			Drawings to conform to the current revision of the following ANSI standards	
	= MINUS DRAFT		Y14.3 Multi and sectional view dgs. Y14.5M Dimensioning and tolerancing	
	= PLUS DRAFT		Y14.5M Dimensioning and tolerancing	
TOLERANCES NOT SPECIFIED		AUTOCAD REL2008 LT	DO NOT SCALE DRAWING FOR DIMENSIONS	
.XX ±		INCH	Sheet 2 of 2	SCALE 1:12
.XXX ±				
< (DEG) ±				
CONFIDENTIAL DISCLOSURE This drawing is the property of POWEREX, INC. of the SCOTT FETZER COMPANY and subject to return on demand. Its contents are confidential and must not be copied or submitted to outside parties for use or examination.				
DRAWN BY	CHECKED BY	APPROVED BY	MFG/MKTG	
GES	DMS	JBC	CT	
11/26/12	1/2/13	1/2/13	1/2/13	
MATERIAL N/A				
PART NAME		150 PRODUCTION DRIVE, HARRISON, OHIO 45030 Ph: 888-769-7979 FAX: (513) 367-3125		
DUPLEX LAB VACUUM FLOW SCHEMATIC		DWG NO	SIZE	
		LVD0303	D	

REV	ZONE	REVISION	DATE	ECN	NAME	CHKD
B-1	ALL	RELEASE TO PRODUCTION	1/2/13	PXEC003	GES	DMS
C-1	I ALL	UPDATED TO RA SERIES PUMP	10/3/16	PXEC0148	AEK	GES
D-1	I ALL	ADDED LINING NOTE TO TANK	4/13/18	PXEC0229	MAH	GES



MINIMUM RECOMMENDED MAINTENANCE CLEARANCE

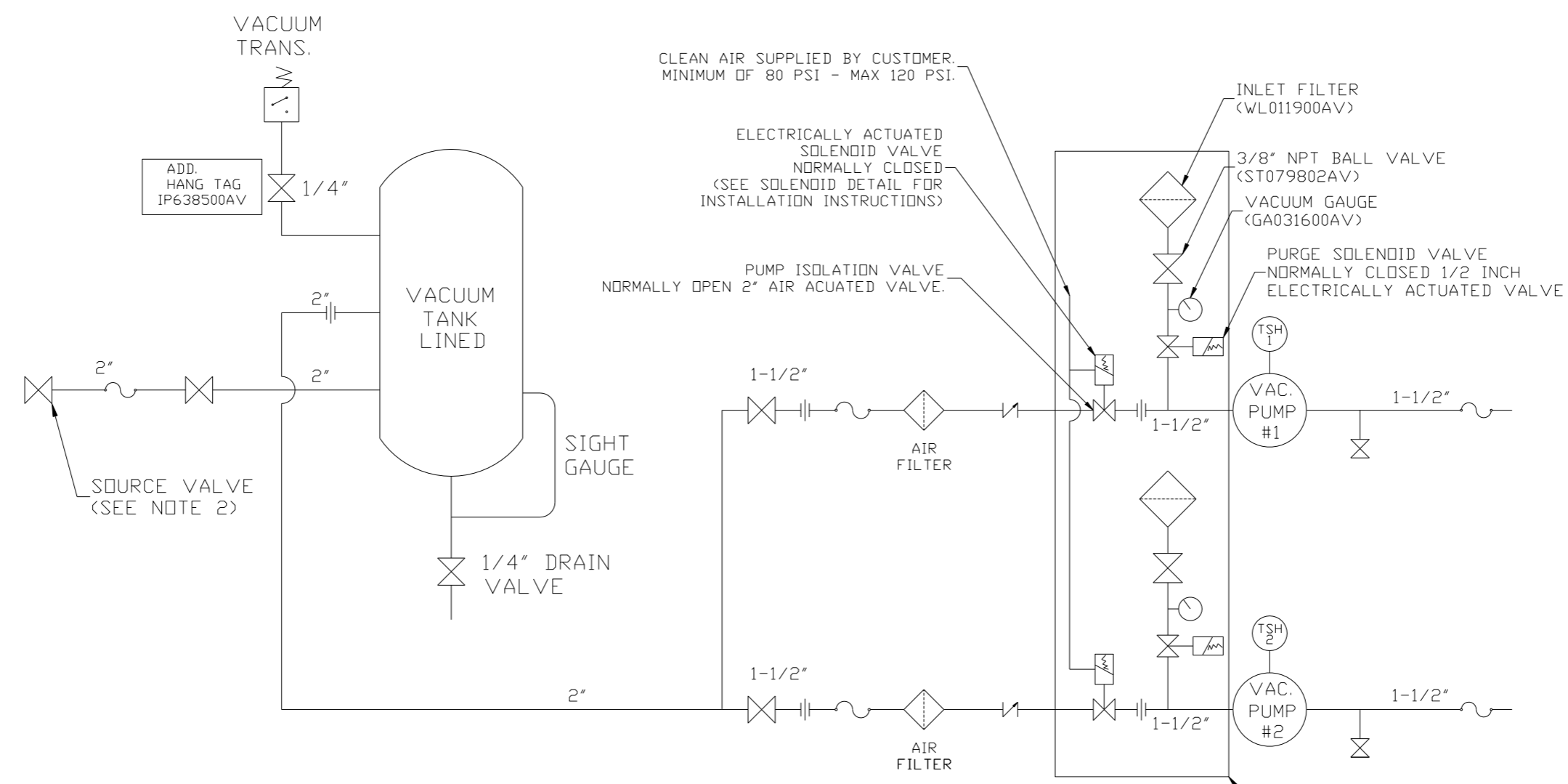
MINIMUM RECOMMENDED ELECTRICAL PANEL CLEARANCE PER OSHA/NEC REQUIREMENTS



NOTE: AUTO PURGE IS OPTIONAL.

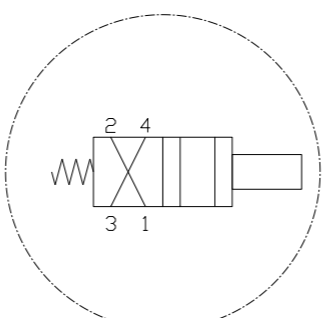
SYMBOL LEGEND		= ADDITIONAL CONTROL REQ'D		Drawings to conform to the current revision of the following ANSI standards:	
⊖	MINUS DRAFT	⊕	PLUS DRAFT	⊖	BRINELL HARDNESS
TOLERANCES NOT SPECIFIED		AUTOCAD REL2008 LT		DO NOT SCALE DRAWING FOR DIMENSIONS	
.XX ±		INCH		Sheet 1 of 2	SCALE 1:12
CONFIDENTIAL DISCLOSURE: This drawing is the property of POWEREX, INC. of the SCOTT FELTZER COMPANY and subject to return on demand. Its contents are confidential and must not be copied or submitted to outside parties for use or examination.					
DRAWN BY	CHECKED BY	APPROVED BY	MFG/MRKTG		
GES	DMS	JBC	CT		
11/26/12	1/2/13	1/2/13	1/2/13		
MATERIAL N/A					
PART NAME 3HP LAB VACUUM 80G DUPLEX TANK MOUNTED		DWG NO LVVD0303		SIZE D	

REV	ZONE	REVISION	DATE	ECN	NAME	CHKD
B-1	ALL	RELEASE TO PRODUCTION	1/2/13	PXEC003	GES	DMS
C-1	1 ALL	UPDATED TO RA SERIES PUMP	10/3/16	PXEC0148	AEK	GES
D-1	1 ALL	ADDED LINING NOTE TO TANK	4/13/18	PXEC0229	MAH	GES



LEGEND

	TEMP. SWITCH		VACUUM SWITCH
	BUTTERFLY VALVE		CHECK VALVE
	AIR FILTER		FLEX LINE
	BALL VALVE		UNION

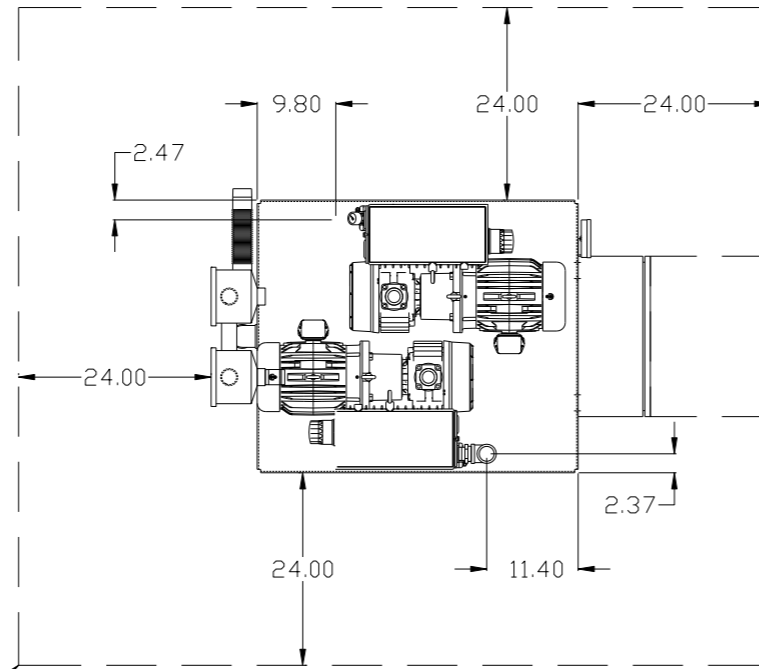


SOLENOID DETAIL:  
 1) VALVE - INPUT #1  
 2) MUFFLER - INPUT #2  
 3) SUPPLY AIR - INPUT #4

NOTE:  
 1) TSH - TEMPERATURE SWITCH HIGH  
 2) PER NFPA THE SYSTEM WILL REQUIRE A SOURCE VALVE (SUPPLIED BY OTHERS).

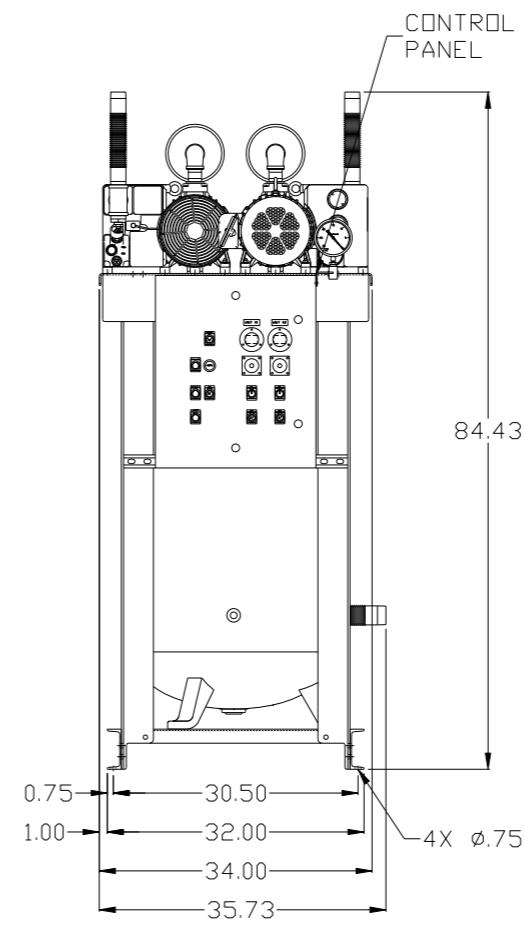
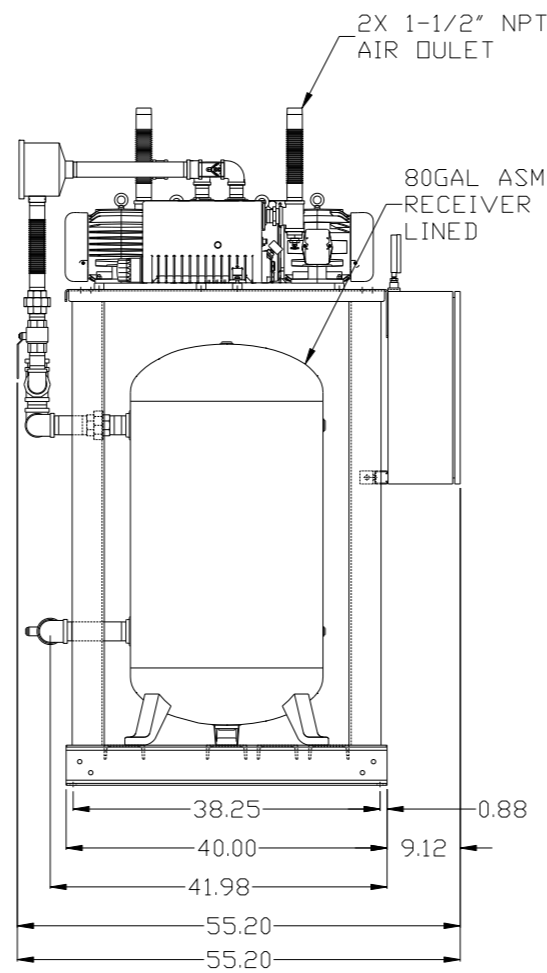
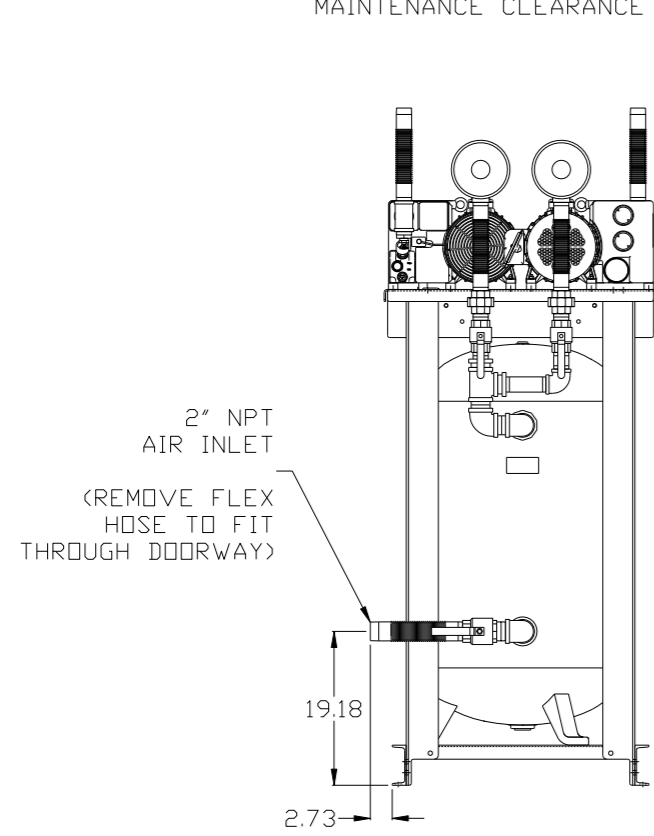
SYMBOL LEGEND			ADDITIONAL CONTROL REQ'D	Drawings to conform to the current revision of the following ANSI standards: Y14.3 Multi and sectional view dgs. Y14.5M Dimensioning and tolerancing
	MINUS DRAFT		BRINELL HARDNESS	
TOLERANCES NOT SPECIFIED		AUTOCAD REL2008 LT		DO NOT SCALE DRAWING FOR DIMENSIONS
.XX ±		INCH		SCALE 1:12
.XXX ±				
<DEG> ±				
CONFIDENTIAL DISCLOSURE This drawing is the property of POWEREX, INC. of the SCOTT FETZER COMPANY and subject to return on demand. Its contents are confidential and must not be copied or submitted to outside parties for use or examination.				
DRAWN BY		CHECKED BY	APPROVED BY	
GES		DMS	JBC	CT
11/26/12		1/2/13	1/2/13	1/2/13
MATERIAL		N/A		
PART NAME		DUPLIX LAB VACUUM FLOW SCHEMATIC		
DWG NO		LVVD0303		
SIZE		D		

REV	ZONE	REVISION	DATE	ECN	NAME	CHKD
B-1	ALL	RELEASE TO PRODUCTION	1/2/13	PXEC0003	GES	DMS
C-1	1 ALL	UPDATED TO RA SERIES PUMP	10/3/16	PXEC0148	AEX	GES
D-1	1 ALL	ADDED LINING NOTE TO TANK	4/13/18	PXEC0229	MAH	GES



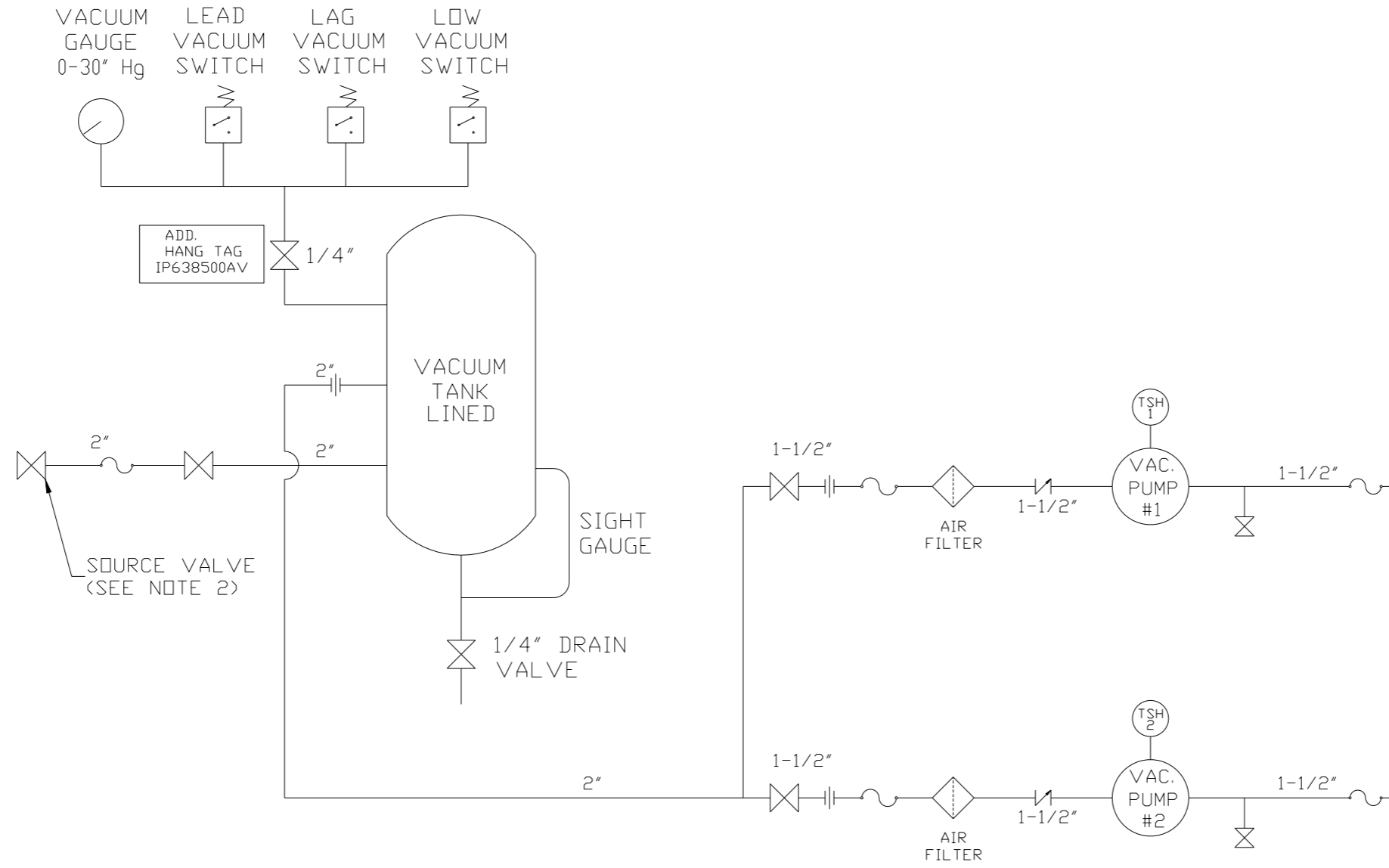
MINIMUM RECOMMENDED ELECTRICAL PANEL CLEARANCE PER OSHA/NEC REQUIREMENTS

MINIMUM RECOMMENDED MAINTENANCE CLEARANCE



<b>SYMBOL LEGEND</b> ⊖ = MINUS DRAFT ⊕ = PLUS DRAFT Ⓢ = ADDITIONAL CONTROL REQ'D Ⓢ = BRINELL HARDNESS		Drawings to conform to the current revision of the following ANSI standards: Y14.3 Multi and sectional view dgs Y14.5M Dimensioning and tolerancing	
TOLERANCES NOT SPECIFIED .XX ± .XXX ± <DEG> ±		DO NOT SCALE DRAWING FOR DIMENSIONS INCH Sheet 1 of 2 SCALE 1:12	
<b>CONFIDENTIAL DISCLOSURE</b> This drawing is the property of POWEREX, INC. of the SCOTT FETZER COMPANY and subject to return on demand. Its contents are confidential and must not be copied or submitted to outside parties for use or examination.			
DRAWN BY GES		CHECKED BY DMS	
APPROVED BY JBC		APPROVED BY CT	
DATE 11/26/12		DATE 1/2/13	
MATERIAL N/A		<b>POWEREX</b> 150 PRODUCTION DRIVE, HARRISON, OHIO 45030 Ph: 888-769-7979 FAX: (513) 367-3125	
PART NAME 3HP LAB VACUUM 80G DUPLEX TANK MOUNTED		DWG NO LVVD0303 SIZE D	

REV	ZONE	REVISION	DATE	ECN	NAME	CHKD
B-1	ALL	RELEASE TO PRODUCTION	1/2/13	PKE0003	GES	DMS
C-1	1 ALL	UPDATED TO RA SERIES PUMP	10/3/16	PKE00148	AEK	GES
B-1	1 ALL	ADDED LINING NOTE TO TANK	4/13/18	PKE00289	MAH	GES



NOTE:  
A 1/4 INCH VENT PLUG IS  
LOCATED IN THE FILTER HOUSING.

LEGEND

	TEMP. SWITCH		VACUUM SWITCH
	BUTTERFLY VALVE		CHECK VALVE
	AIR FILTER		FLEX LINE
	BALL VALVE		UNION

NOTE:  
1) TSH - TEMPERATURE SWITCH HIGH  
2) PER NFPA THE SYSTEM WILL REQUIRE A SOURCE VALVE (SUPPLIED BY OTHERS).

<b>SYMBOL LEGEND</b> = MINUS DRAFT = PLUS DRAFT = ADDITIONAL CONTROL REQ'D = BRINELL HARDNESS		Drawings to conform to the current revision of the following ANSI standards: Y14.3 Multi and sectional view dgs. Y14.5M Dimensioning and tolerancing	
TOLERANCES NOT SPECIFIED .XX ± .XXX ± <math>\angle</math>(DEG.) ±		AUTOCAD REL2008 LT INCH DO NOT SCALE DRAWING FOR DIMENSIONS Sheet 2 of 2 SCALE 1:12	
<b>CONFIDENTIAL DISCLOSURE</b> This drawing is the property of POWEREX, INC. of the SCOTT FETZER COMPANY and subject to return on demand. Its contents are confidential and must not be copied or submitted to outside parties for use or examination.			
DRAWN BY GES		CHECKED BY DMS	
APPROVED BY JBC		MFG/MKTG CT	
MATERIAL N/A		DATE 11/26/12    1/2/13    1/2/13    1/2/13	
PART NAME DUPLEX LAB VACUUM FLOW SCHEMATIC		 150 PRODUCTION DRIVE, HARRISON, OHIO 45030 Ph: 888-769-7979 FAX: (513) 367-3125	
DWG NO LVVD0303		SIZE D	