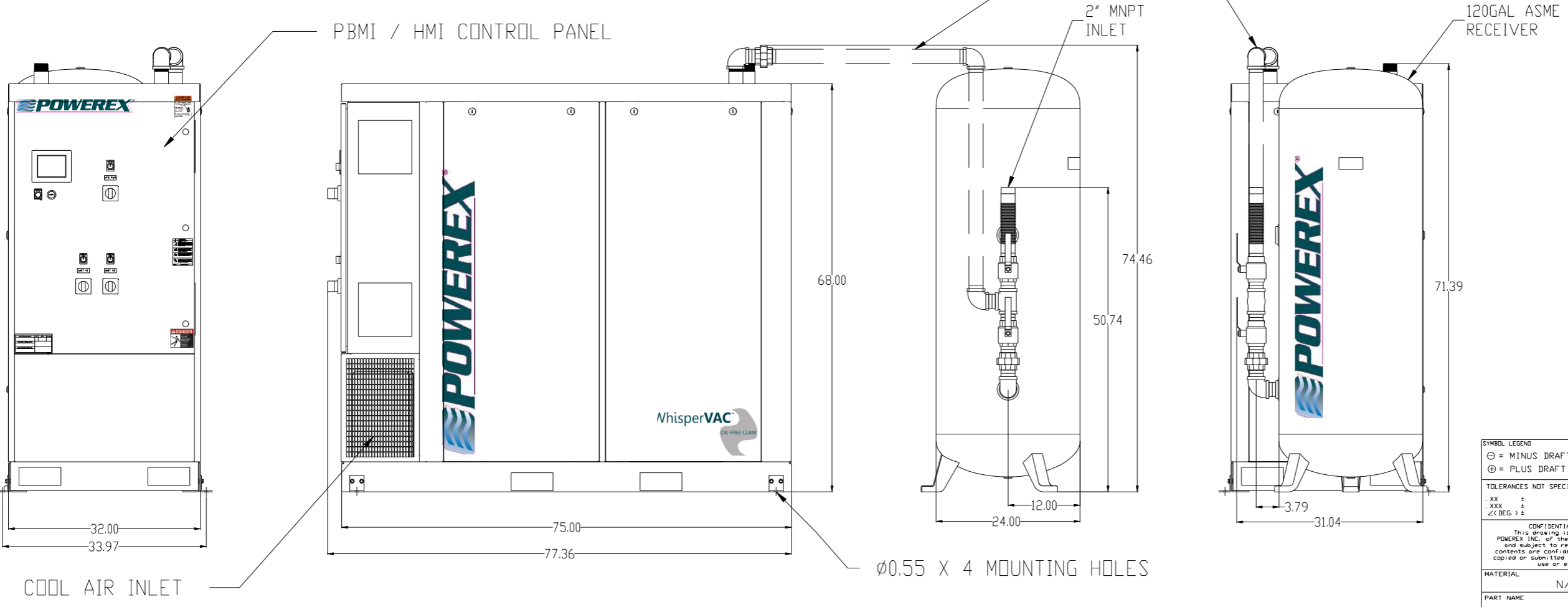
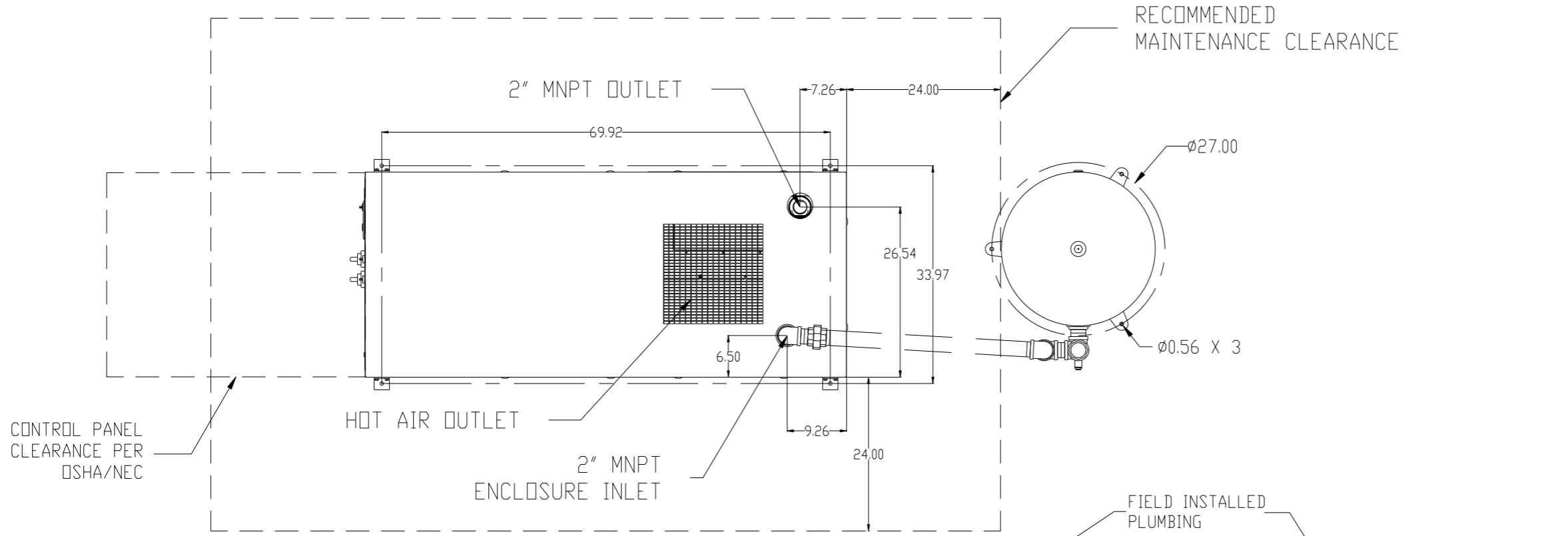


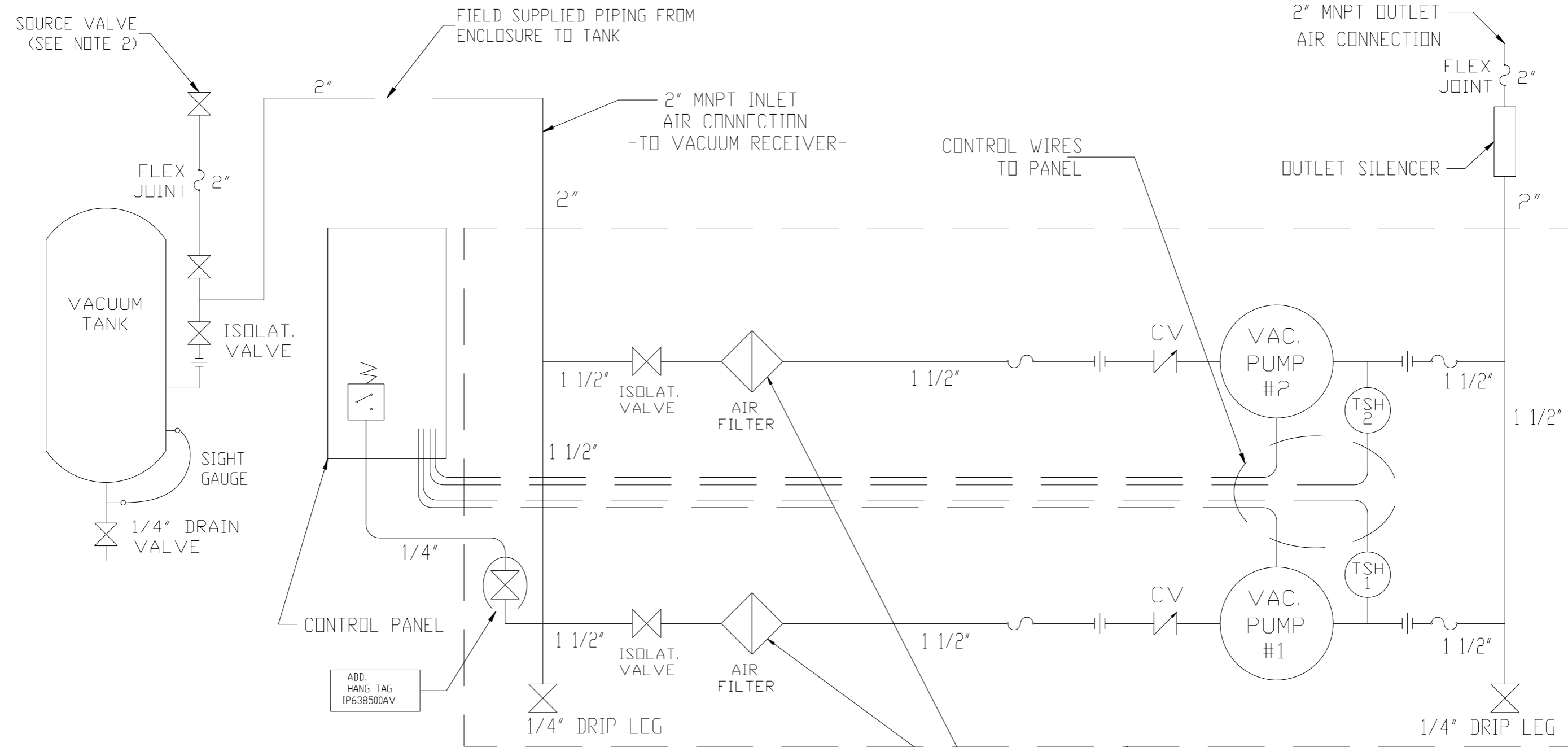
REV	ZONE	REVISION	DATE	ECN	NAME	CHKD
B-1	ALL	RELEASE TO PRODUCTION	2/8/16	PKC0099	GES	AEK



NOTES:
 1.) SHEET 1, UNIT BUILD
 2.) SHEET 2, FLOW SCHEMATIC

SYMBOL LEGEND ⊖ = MINUS DRAFT ⊕ = PLUS DRAFT ⊕ = BRINELL HARDNESS		= ADDITIONAL CONTROL REQ'D = BRINELL HARDNESS		Drawings to conform to the current revision of the following ANSI standards: Y14.3 Multi and sectional view dgs. Y14.5M Dimensioning and tolerancing
TOLERANCES NOT SPECIFIED .XX ± .XXX ± \angle (DEG) ±		AUTOCAD REL2014LT INCH		DO NOT SCALE DRAWING FOR DIMENSIONS Sheet 1 of 2 SCALE 1:10
CONFIDENTIAL DISCLOSURE This drawing is the property of POWEREX INC. of the SCOTT FETZER COMPANY and subject to return on demand. Its contents are confidential and must not be copied or submitted to outside parties for use or examination.				
DRAWN BY GES		CHECKED BY AEK		APPROVED BY ENGINEERING MFG/MKTG GES RJR
DATE 2/8/16		DATE 2/8/16		DATE 2/8/16
MATERIAL N/A				
PART NAME MED CLAW ENCLOSED				
SHP DUPLX VAC 120G				
DWG NO MCED0504				SIZE D

REV	ZONE	REVISION	DATE	ECN	NAME	CHKD
B-1	ALL	RELEASE TO PRODUCTION	2/8/16	PKC0099	GES	AEK



LEGEND	
	TEMP. SWITCH
	AIR FILTER
	BALL VALVE
	VACUUM TRANSDUCER
	CHECK VALVE
	FLEX LINE
	UNION

NOTES:
 1) TSH - TEMPERATURE SWITCH HIGH
 2) PER NFPA THE SYSTEM WILL REQUIRE A SOURCE VALVE (SUPPLIED BY OTHERS).
 3) OUTLET SILENCER AND FLEX HOSES SHIP LOOSE FOR FIELD INSTALLATION.

NOTE:
 A 1/4 INCH VENT PLUG IS LOCATED IN EACH FILTER HOUSING.

SYMBOL LEGEND ⊖ = MINUS DRAFT ⊕ = PLUS DRAFT Ⓢ = ADDITIONAL CONTROL REQ'D Ⓢ = BRINELL HARDNESS		Drawings to conform to the current revision of the following ANSI standards: Y14.3 Multi and sectional view dgs. Y14.5M Dimensioning and tolerancing	
TOLERANCES NOT SPECIFIED .XX ± .XXX ± \angle(DEG) ±		DO NOT SCALE DRAWING FOR DIMENSIONS Sheet 2 of 2 SCALE 1:10	
CONFIDENTIAL DISCLOSURE This drawing is the property of POWEREX INC. of the SCOTT FETZER COMPANY and subject to return on demand. Its contents are confidential and must not be copied or submitted to outside parties for use or examination.		AUTOCAD REL2014LT INCH	
DRAWN BY GES		CHECKED BY AEK	
APPROVED BY GES		APPROVED BY RJR	
MATERIAL N/A		DATE 2/8/16	
PART NAME MED CLAW ENCLOSED SHP DUPLX VAC 120G		DATE 2/8/16	
DWG NO MCED0504		DATE 2/8/16	
SIZE D		DATE 2/8/16	