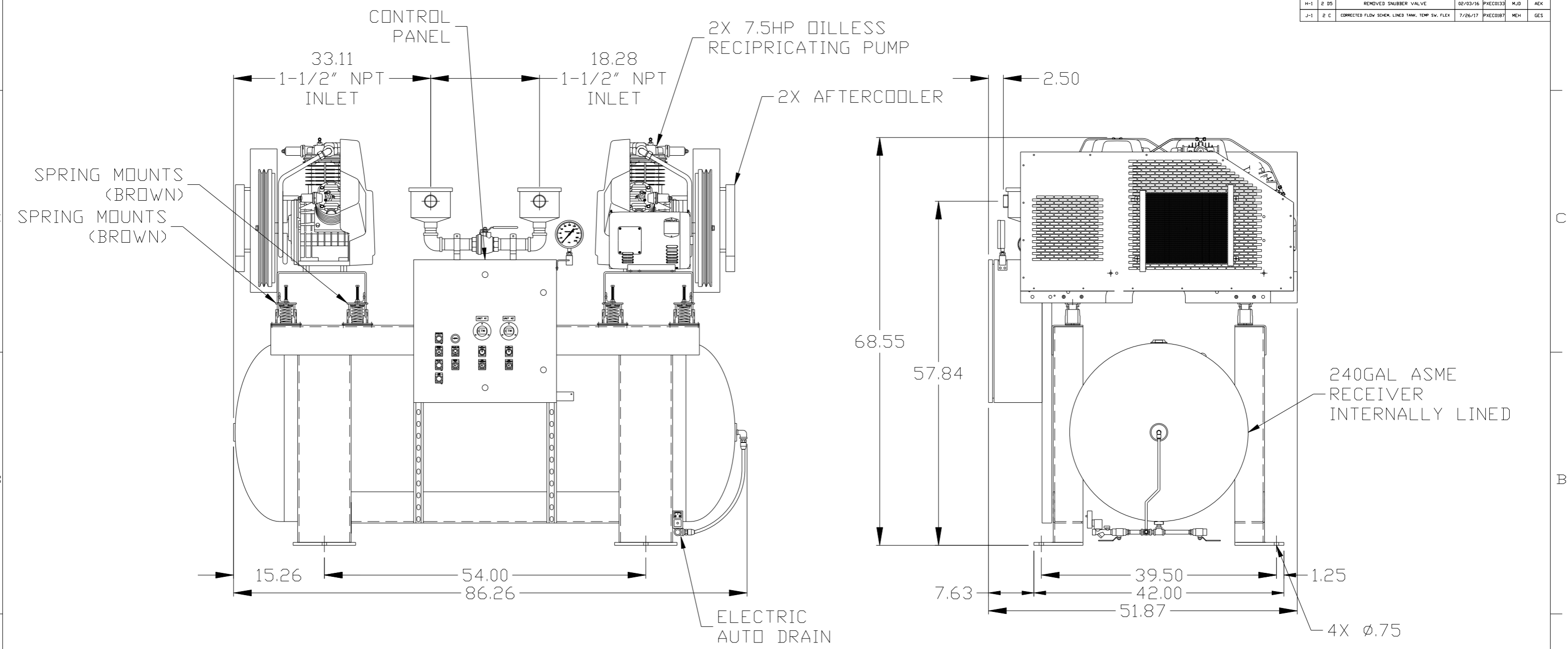
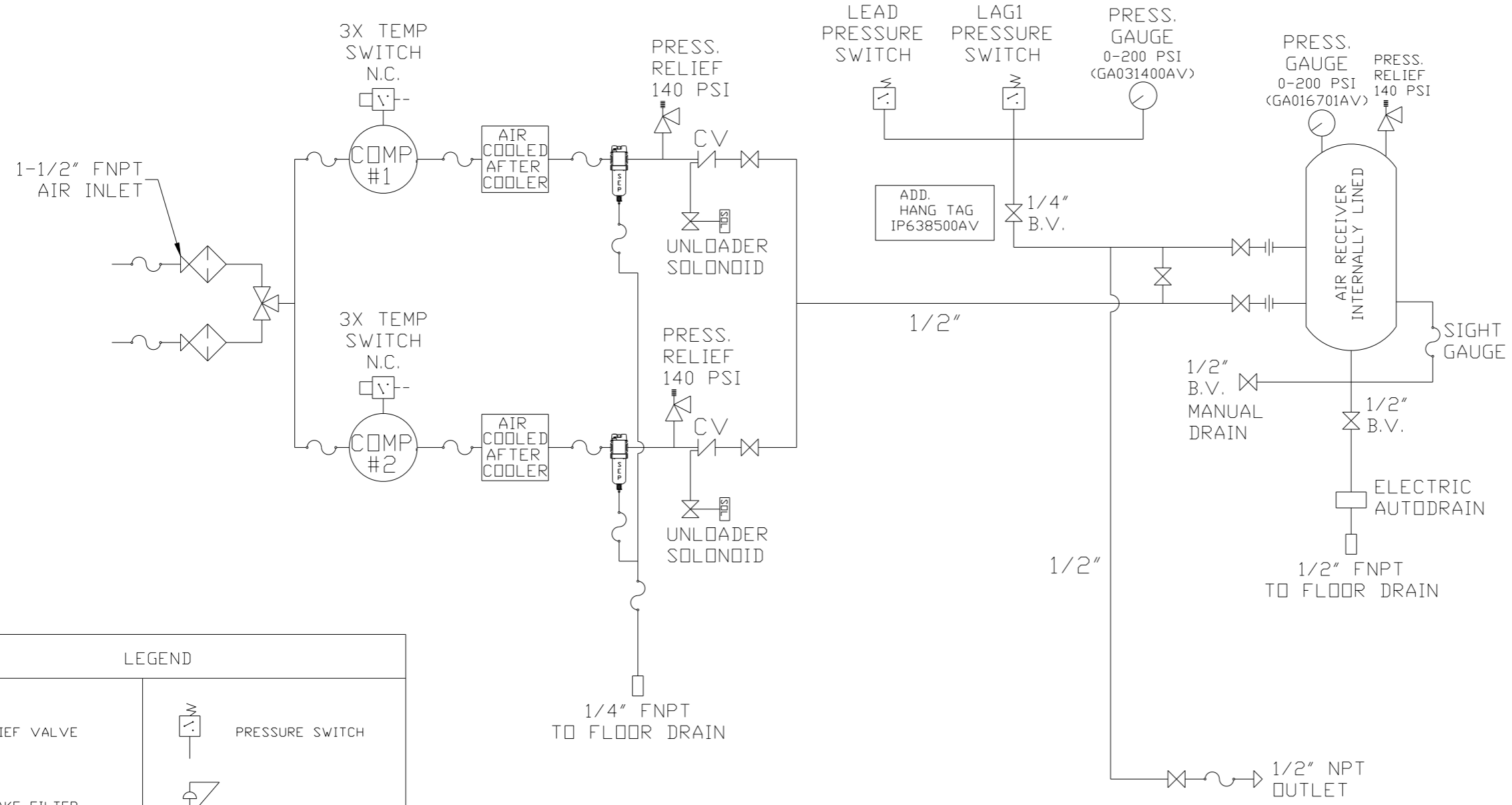


REV	ZONE	REVISION	DATE	ECN	NAME	CHKD
B-1	ALL	RELEASE TO PRODUCTION	7/27/06	21555	RSN	GES
C-1	ALL	REVISED OUTLET DISCHARGE FOR 1" TO 1/2"	01/12/06	21438	DMS	DMS
D-1	C3,C6 1 C3,C6 1 B3,B5 2 C5,C6 2 ALL 1 ALL	UPDATED CONTROL PANEL CORRECTED INLET PLUMBING ON BUILD ADDED SIGHT GAUGE TO BUILD ADDED SPRING MOUNT CALLOUTS ADDED P/PK CALLOUTS TO FLOW UPDATED TANK	10/21/08	22039	AEK	GES
E-1	1 C7	UPDATED SPRING ISOLATOR CALLOUT	11/22/10	22348	AEK	GES
F-1	2 ALL	UPDATED/ADDED FLEX LINES	9/21/12	PXEX0009	AEK	DMS
G-1	2 B4	CORRECTED SNUBBER VALVE LOCATION	11/3/15	PXEX0093	AEK	GES
H-1	2 D5	REMOVED SNUBBER VALVE	02/03/16	PXEC0133	MJD	AEK
J-1	2 C	CORRECTED FLOW SCHEM. LINED TANK, TEMP SW, FLEX	7/26/17	PXEC0187	MEH	GES



SYMBOL LEGEND ⊖ = MINUS DRAFT ⊕ = PLUS DRAFT HRC = BRINELL HARDNESS ⊕ = ADDITIONAL CONTROL REQ'D HRC = BRINELL HARDNESS		Drawings to conform to the current revision of the following ANSI standards: Y14.3 Multi and sectional view dsgs. Y14.5M Dimensioning and tolerancing	
TOLERANCES NOT SPECIFIED .XX ± .XXX ± <<DEG>> ±		AUTOCAD REL2000: INCH DO NOT SCALE DRAWING FOR DIMENSIONS Sheet 1 of 2 SCALE 1:8	
CONFIDENTIAL DISCLOSURE This drawing is the property of POWEREX, INC. of the SCOTT FELTZER COMPANY and subject to return on demand. Its contents are confidential and must not be copied or submitted to outside parties for use or examination.			
DRAWN BY: GES 6/17/05		CHECKED BY: GES 6/17/05	
APPROVED BY: ENGINEERING 6/17/05		MFG/MKTG: DB 6/17/05	
MATERIAL: N/A		POWEREX 150 PRODUCTION DRIVE, HARRISON, OHIO 45030 Ph: 888-769-7979 FAX: (513) 367-3125	
PART NAME: 7.5 HP OILLESS 240 GAL DUPLEX		DWG NO: MTD0756 SIZE: D	

REV	ZONE	REVISION	DATE	ECN	NAME	CHKD
B-1	ALL	RELEASE TO PRODUCTION	7/27/06	21555	RSN	GES
C-1	ALL	REVISED OUTLET DISCHARGE FOR 1" TO 1/2"	01/12/06	21438	DMS	DMS
D-1	C3,C6 1 C3,C6 1 B3,B5 1 C5,C6 2 ALL 1 ALL	UPDATED CONTROL PANEL CORRECTED INLET PIPING ON BUILD ADDED SIGHT GAUGE TO BUILD ADDED SPRING MOUNT CALLOUTS ADDED P/N CALLOUTS TO FLOW UPDATED TANK	10/21/08	22039	AEX	GES
E-1	1 C7	UPDATED SPRING ISOLATOR CALLOUT	11/22/10	22348	AEX	GES
F-1	2 ALL	UPDATED/ADDED FLEX LINES	9/21/12	PXEX0009	AEX	DMS
G-1	2 B4	CORRECTED SNUBBER VALVE LOCATION	11/3/15	PXEX0093	AEX	GES
H-1	2 D5	REMOVED SNUBBER VALVE	02/03/16	PXEX0133	MJD	AEX
J-1	2 C	CORRECTED FLOW SCHEM. LINED TANK, TEMP SW, FLEX	7/26/17	PXEX0187	MEH	GES



LEGEND

	RELIEF VALVE		PRESSURE SWITCH
	INTAKE FILTER		REGULATOR
	AIR FILTER		SEPARATOR
	3 WAY VALVE		CHECK VALVE
	CARBON FILTER		FLEX LINE
	BALL VALVE		HIGH TEMP SWITCH
	SOLENOID VALVE		UNION

- NOTES:
- 1) IF LAG 1 COMPRESSOR IS ENERGIZED ALARM WILL OCCUR.
 - 2) PIPING TO THE INLET BY OTHERS AND TO BE PER NFPA99
 - 3) INSTRUMENTS DOWN STREAM OF SOURCE VALVE TO BE SUPPLIED BY OTHERS.

SYMBOL LEGEND		= ADDITIONAL CONTROL REQ'D = BRINELL HARDNESS		Drawings to conform to the current revision of the following ANSI standards: Y14.3 Multi and sectional view dngs. Y14.5M Dimensioning and tolerancing
⊖ = MINUS DRAFT ⊕ = PLUS DRAFT	AUTOCAD REL2000	DO NOT SCALE DRAWING FOR DIMENSIONS		SCALE
TOLERANCES NOT SPECIFIED	INCH	Sheet 2 of 2	1:8	
CONFIDENTIAL DISCLOSURE This drawing is the property of POWEREX, INC. or the SCOTT FETZER COMPANY and subject to return on demand. Its contents are confidential and must not be copied or submitted to outside parties for use or examination.				
DRAWN BY	CHECKED BY	APPROVED BY	MFG/MKTG	
GES	GES	GES	DB	
06/17/05	6/17/05	6/17/05	6/17/05	
MATERIAL		N/A		
PART NAME		 150 PRODUCTION DRIVE, HARRISON, OHIO 45030 Ph: 888-769-7979 FAX: (513) 367-3125		
DUPLEX OL RECIP FLOW SCHEMATIC		DWG NO	SIZE	
		MTD0756	D	