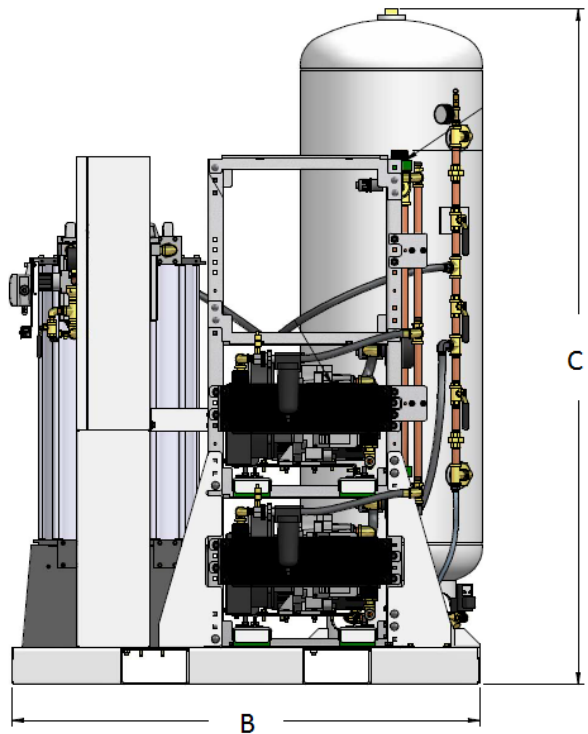
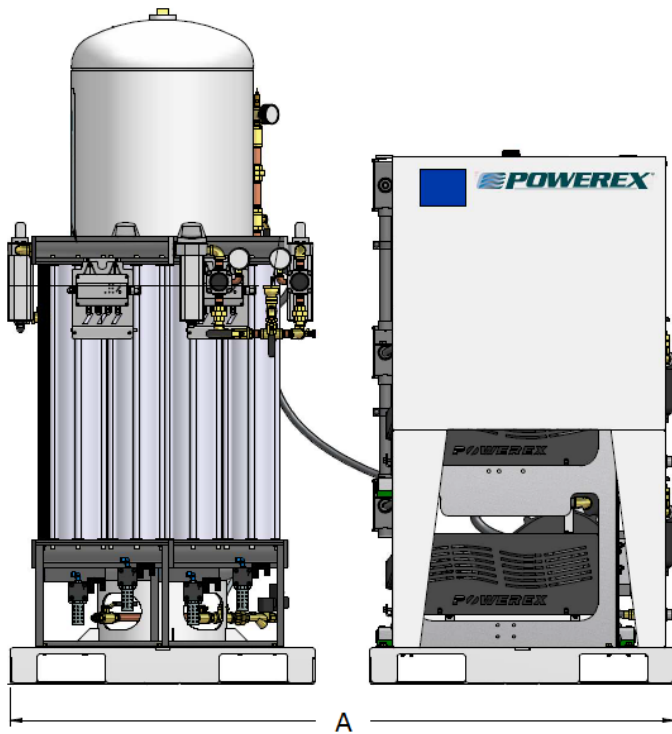
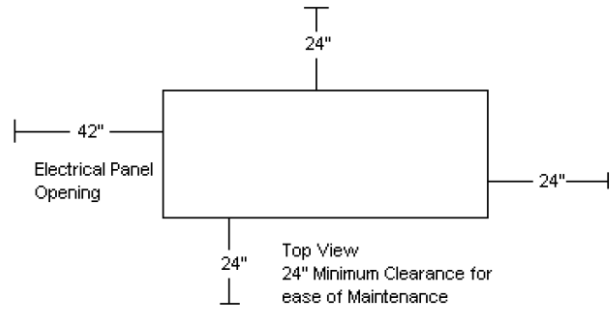


Dimensions					
Model	Dim. A	Dim. B	Dim. C	Inlet	Outlet
LSD05A3-EX3	73"	52"	75"	1.5"	1"



Laboratory Open Scroll Duplex Expandable with Premium Controls									
Model	HP	SCFM @ 145 PSIG <sup>(1,2)</sup>	Tank Size (gal)	BTU/Hr <sup>(1)</sup>	dB(A) Level <sup>(1)</sup>	System F.L.A.			System Weight (lbs)
						208V	230V	460V	
LSD02A3	2 (2)	9.2	80	9740	70	13.9	12.8	7.4	1050
LSD03A3	3 (2)	14.2	80	14600	75	19.1	17.4	9.7	1050
LSD05A3	5 (2)	25	80	24400	75	30	27.4	14.7	1250

Notes:

- 1 – SCFM, BTU/Hr, and dB(A) values listed are with all pumps running.
- 2 – Powerex recommends using performance ratings in SCFM when sizing laboratory air systems.
- 3 – Remote inlet optional (not shown). Standard inlet is ambient intake filter assembly at each pump.
- 4 – 3 Year Limited Warranty.
- 5 – Drawing is representative and not exact.