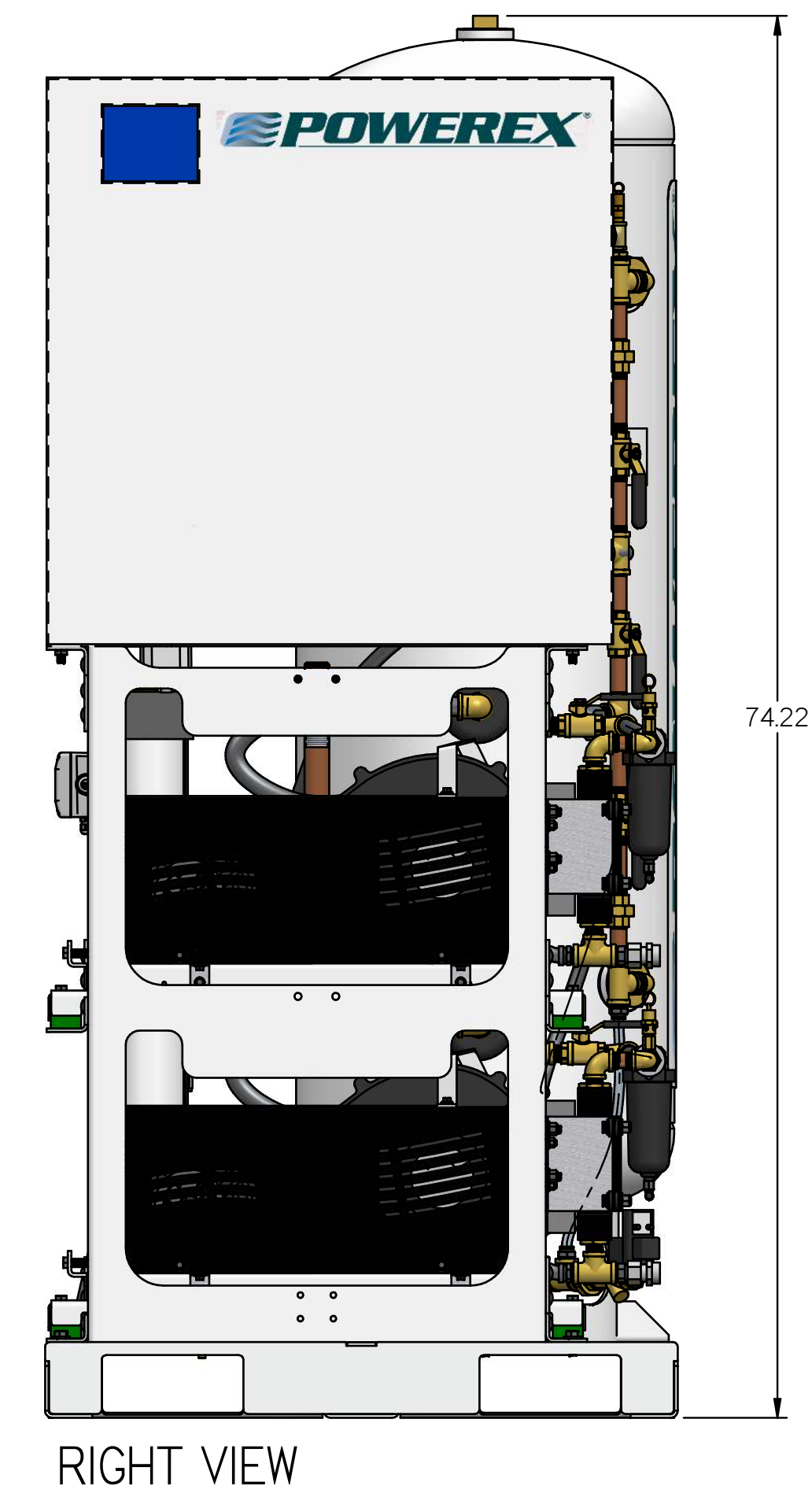
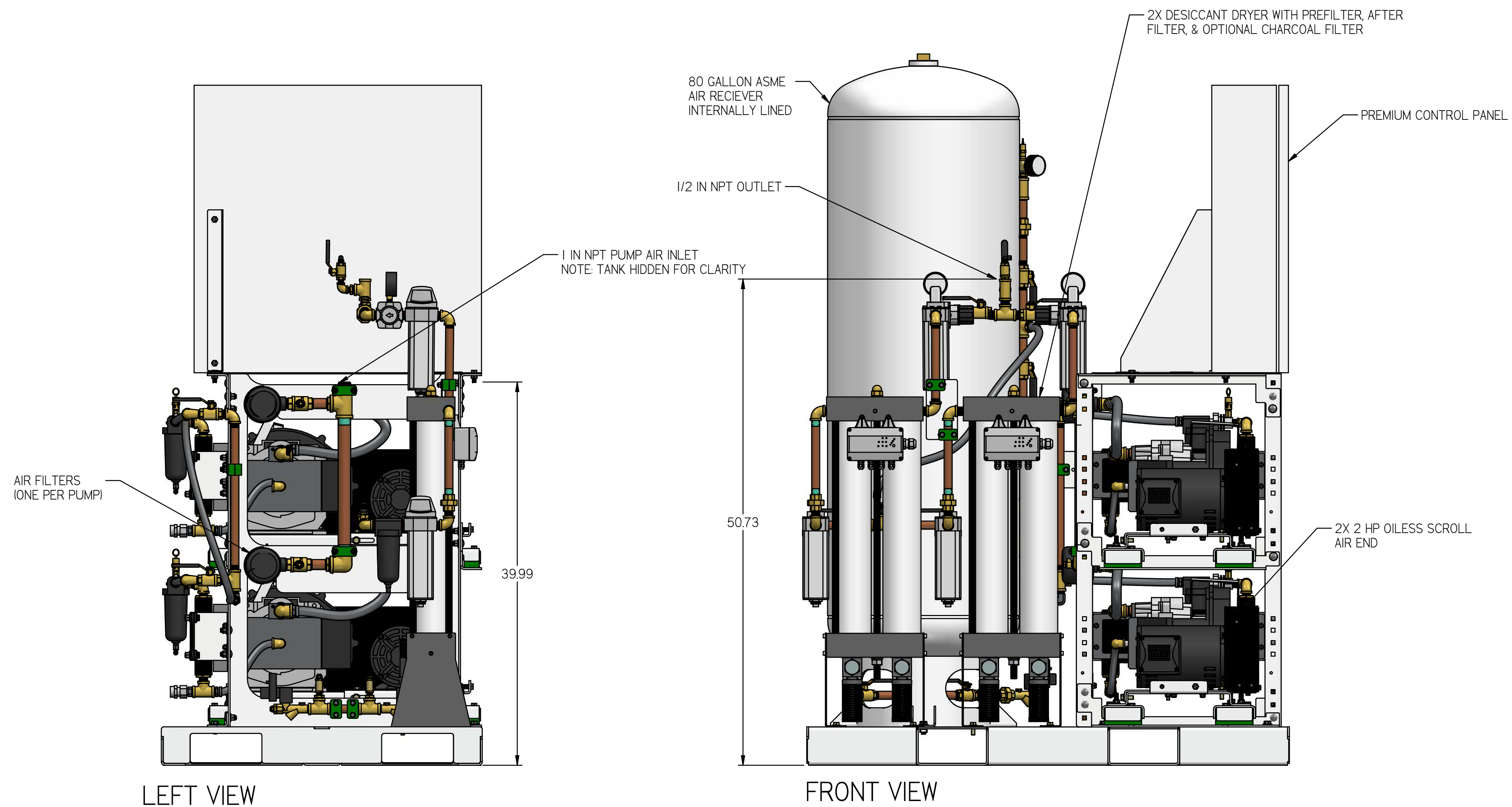
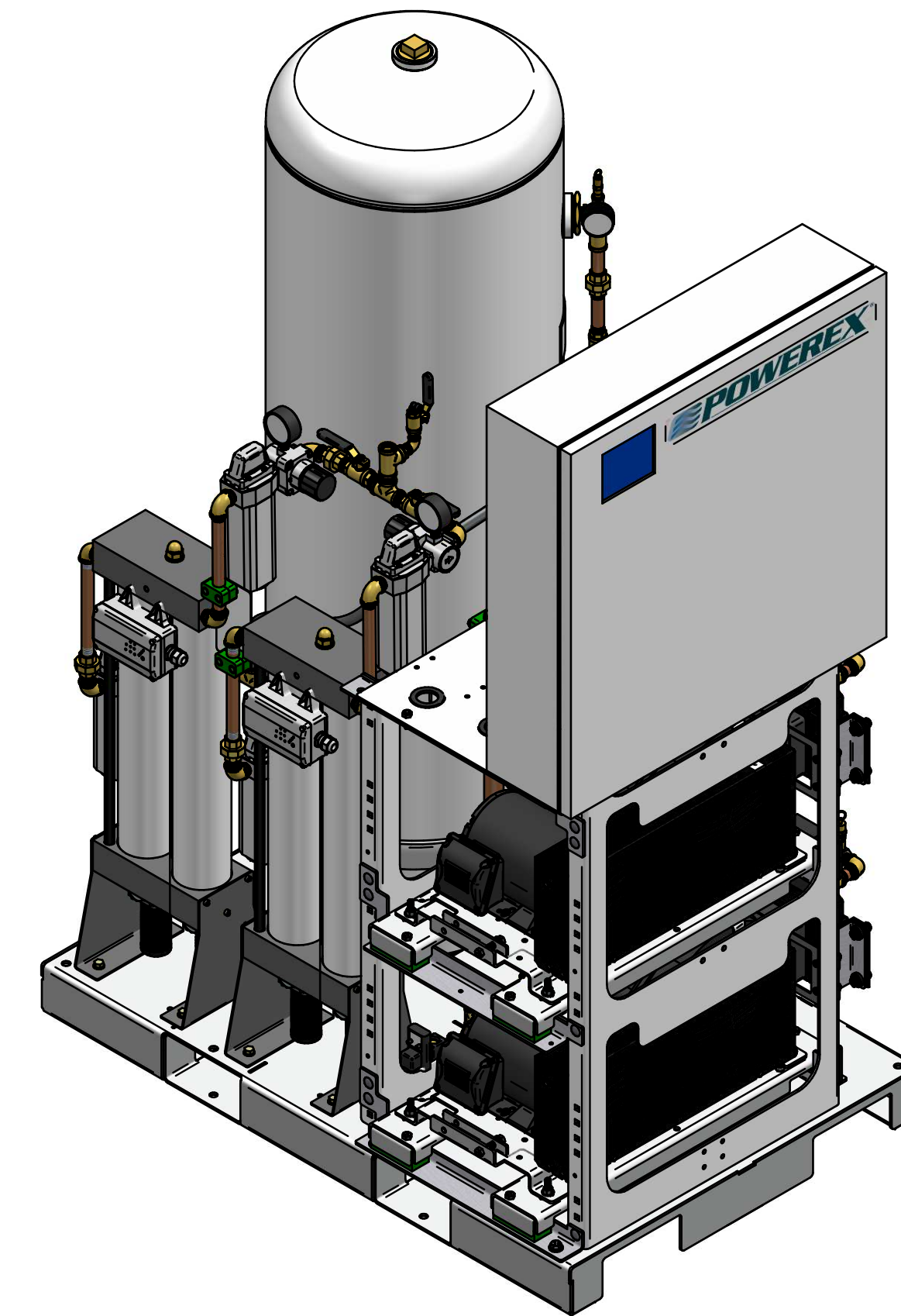
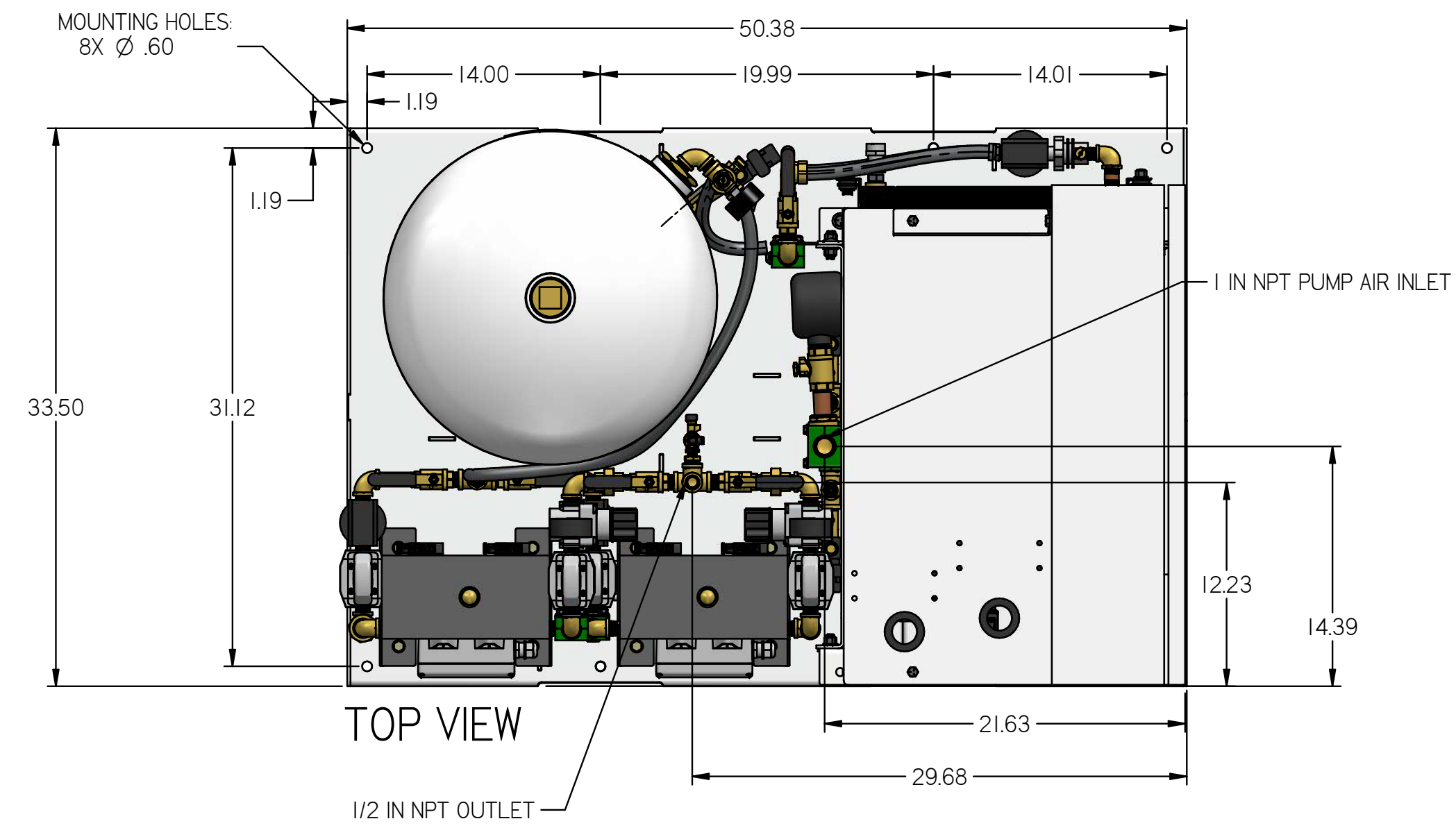


REVISION NOTES		
DESCRIPTION	ECN	PR/NOR
PRODUCTION RELEASE	PXECO169	N/A

# LSD02A3

LAB OPEN SCROLL SYSTEM  
2 HP DUPLEX WITH 80  
GALLON TANK  
PREMIUM PANEL



- NOTES:
- APPROX SYSTEM WEIGHT: 1050 LB
  - 24" MINIMUM MAINTENANCE CLEARANCE RECOMMENDED ALL SIDES. CLEARANCE FOR CONTROL PANEL SHALL BE IN ACCORDANCE WITH OSHA/NEC REQUIREMENTS

SYMBOL LEGEND		DRAWINGS TO CONFORM TO CURRENT REVISION OF THE FOLLOWING ANSI STANDARDS:		
TOLERANCES NOT SPECIFIED		Y14.3 MULTI AND SECTIONAL VIEW DIMS		
D.XXX ± .01		Y14.5 DIMENSIONING AND TOLERANCING		
SOLID EDGE DRAWING		DO NOT SCALE DRAWING FOR DIMENSIONS		
D.XXX ± .005		INCH	SHEET 1 OF 4	SCALE 1:10
CONFIDENTIAL DISCLOSURE This drawing is the property of POWEREX of the SCOTT FETTER COMPANY and is subject to return on demand. Its contents are confidential and must not be copied or submitted to outside parties for use or examination.		AUTHOR	ORIGINATION DATE	APPROVALS ON FILE IN PLM
TITLE: 715737		ASoulek	10/31/2018	
MATERIAL: SEE PART DRAWINGS				
DESCRIPTION: LAB OPEN SCROLL SYSTEM 2 HP DUPLEX WITH 80 GALLON TANK		DRAWING NUMBER: LSD02A3	REVISION: B	SIZE: D

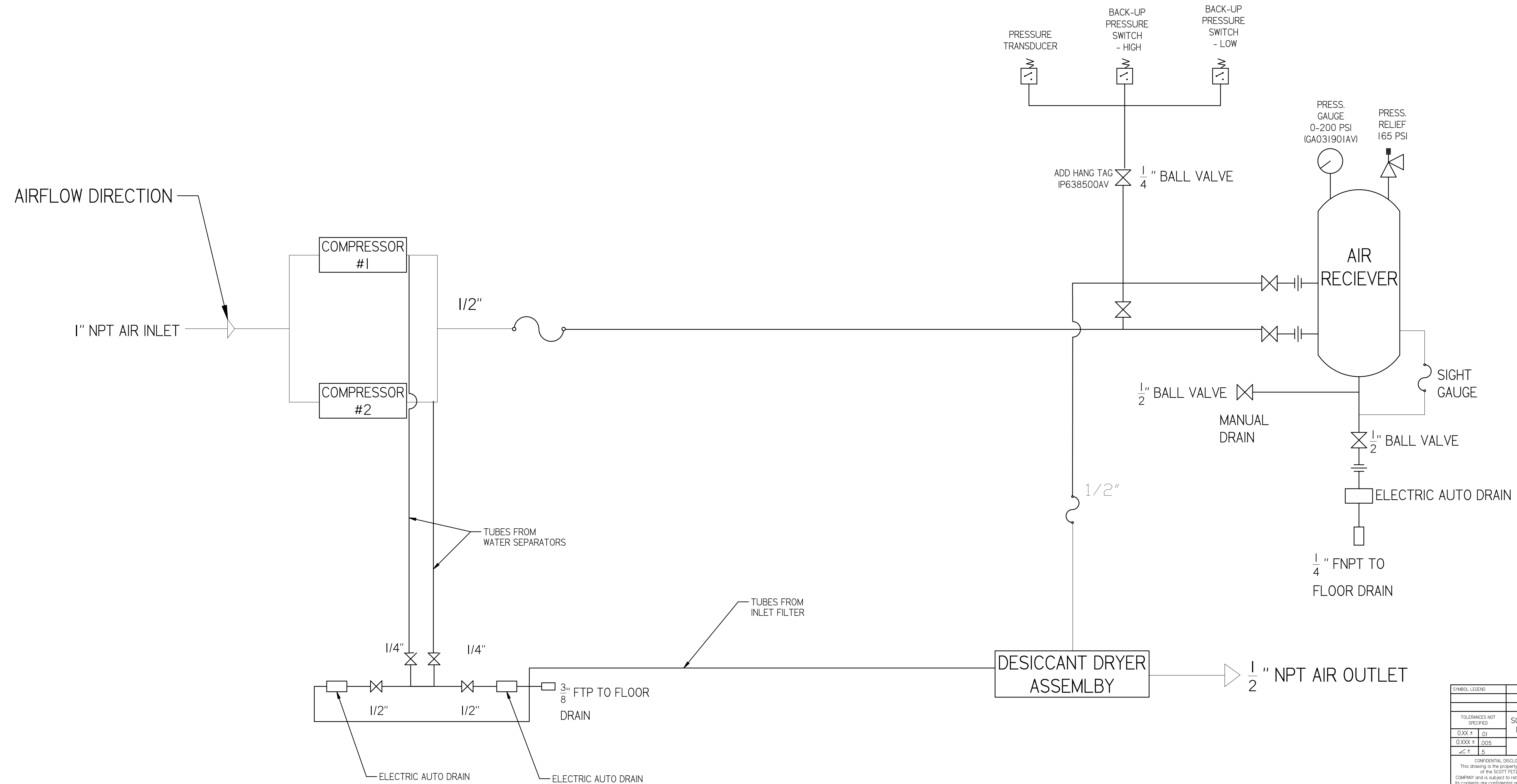


# LSD02A3

LAB OPEN SCROLL SYSTEM  
2 HP DUPLEX WITH 80  
GALLON TANK

SYSTEM FLOW DIAGRAM

REVISION NOTES		
DESCRIPTION	ECN	PR/NOR
PRODUCTION RELEASE	PXECO169	N/A

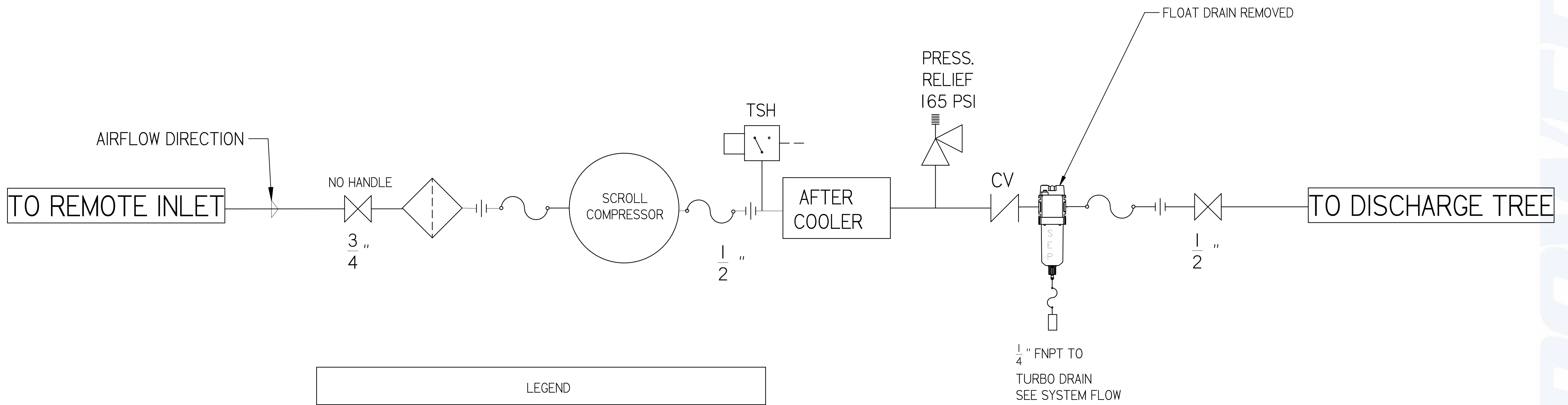


SYMBOL LEGEND		DRAWINGS TO CONFORM TO CURRENT REVISION OF THE FOLLOWING ANSI STANDARDS:	
TOLERANCES NOT SPECIFIED	SOLID EDGE DRAWING	Y14.3 MULTI AND SECTIONAL VIEW DIMS	Y14.5 DIMENSIONING AND TOLERANCING
0.XXX ± .01	INCH	DO NOT SCALE DRAWING FOR DIMENSIONS	
0.XXX ± .005		SHEET 2 OF 4	SCALE   1:1
<small>CONFIDENTIAL DISCLOSURE</small> This drawing is the property of POWEREX of the SCOTT FETTER COMPANY and is subject to return on demand. Its contents are confidential and must not be copied or submitted to outside parties for use or examination.		<small>AUTHOR</small> ASoulek	<small>ORIGINATION DATE</small> 10/31/2018
<small>ITEM NO.</small> 715737			
<small>MATERIAL</small> SEE PART DRAWINGS		<small>150 PRODUCTION DRIVE, HARRISON OH 45030</small> <small>(888) 768-7079</small>	
<small>DESCRIPTION</small> LAB OPEN SCROLL SYSTEM 2 HP DUPLEX WITH 80 GALLON TANK		<small>DRAWING NUMBER</small> LSD02A3	<small>REVISION</small> B
		<small>SIZE</small> D	

REVISION NOTES		
DESCRIPTION	ECN	PR/NOR
PRODUCTION RELEASE	PXECO169	N/A

# LSD02A3

LAB OPEN SCROLL SYSTEM  
2 HP DUPLEX WITH 80  
GALLON TANK  
LAB COMPRESSOR  
FLOW DIAGRAM



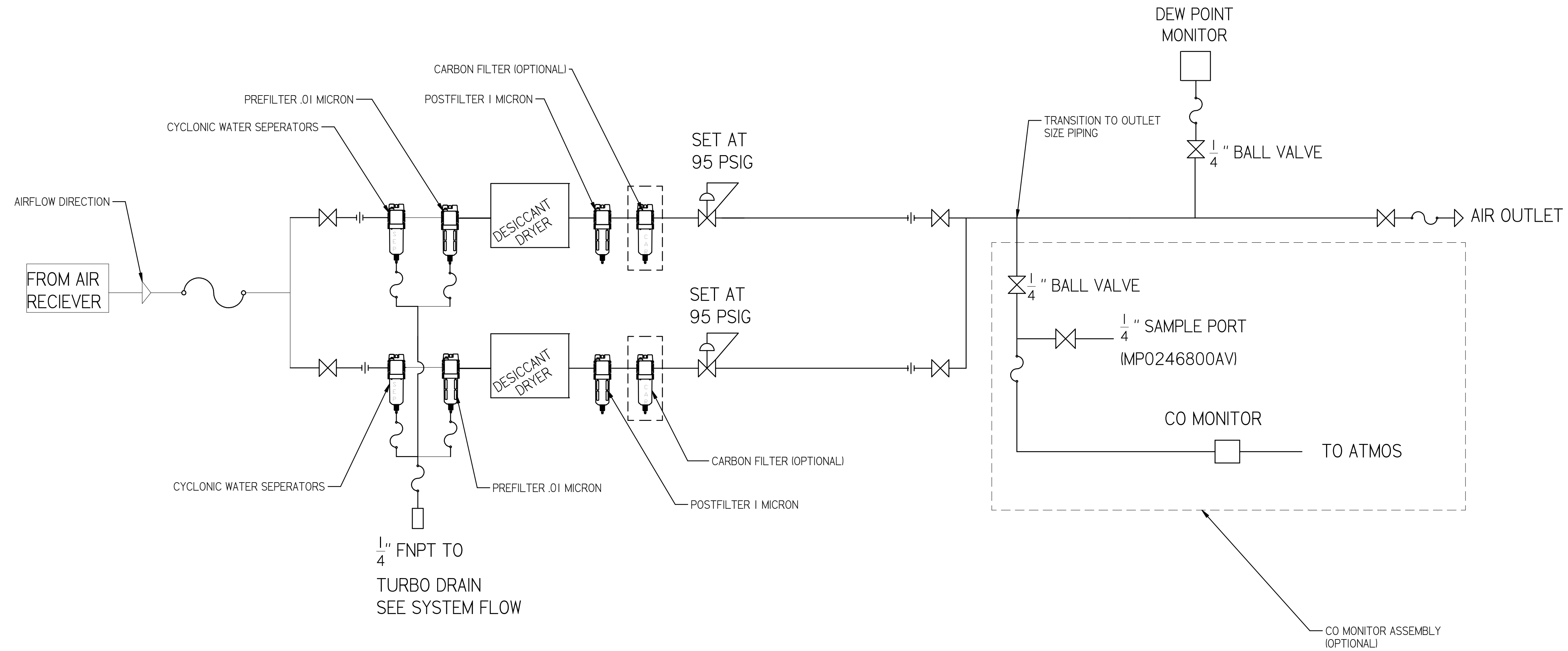
LEGEND	
	RELIEF VALVE
	INTAKE FILTER
	AIR FILTER
	3 WAY VALVE
	CARBON FILTER
	BALL VALVE
	PRESSURE SWITCH
	REGULATOR
	SEPARATOR
	CHECK VALVE
	FLEX LINE
	TSH HIGH TEMP SWITCH

SYMBOL LEGEND		DRAWINGS TO CONFORM TO CURRENT REVISION OF THE FOLLOWING ANSI STANDARDS: Y14.3 MULTI AND SECTIONAL VIEW DWGS Y14.5 DIMENSIONING AND TOLERANCING	
TOLERANCES NOT SPECIFIED	SOLID EDGE DRAWING	DO NOT SCALE DRAWING FOR DIMENSIONS	
0.001 ± .01	INCH	SHEET 3 OF 4	SCALE 1:1
0.005 ± .005		APPROVALS ON FILE IN PLM	
<small>CONFIDENTIAL DISCLOSURE</small> This drawing is the property of POWEREX of the SCOTT FETTER COMPANY and is subject to return on demand. Its contents are confidential and must not be copied or submitted to outside parties for use or examination.		A Soulek	10/31/2018
ITEM NO: 715737 MATERIAL: SEE PART DRAWINGS		 150 PRODUCTION DRIVE, HARRISON OH 45030 (888) 768-7079	
DESCRIPTION: LAB OPEN SCROLL SYSTEM 2 HP DUPLEX WITH 80 GALLON TANK		DRAWING NUMBER: LSD02A3	REVISION: B SIZE: D

REVISION NOTES		
DESCRIPTION	ECN	PR/NOR
PRODUCTION RELEASE	PXECO169	N/A

# LSD02A3

LAB OPEN SCROLL SYSTEM  
2 HP DUPLEX WITH 80  
GALLON TANK  
LAB DRYER  
FLOW DIAGRAM



PUMP COUNT	DRYER PLUMBING SIZE	OUTLET PIPE SIZE
2	1/2"	1/2"
3	1/2"	1"
4	1/2"	1"
6	1"	1-1/2"
8	1"	1-1/2"
9	1"	1-1/2"
12	1-1/2"	2"
15	1-1/2"	2"
18	1-1/2"	2"

SYMBOL LEGEND		DRAWINGS TO CONFORM TO CURRENT REVISION OF THE FOLLOWING ANSI STANDARDS: Y14.3 MULTI AND SECTIONAL VIEW DIMS Y14.5 DIMENSIONING AND TOLERANCING	
TOLERANCES NOT SPECIFIED	SOLID EDGE DRAWING	DO NOT SCALE DRAWING FOR DIMENSIONS	
0.XXX ± .01	INCH	SHEET 4 OF 4	SCALE 1:1
0.XXX ± .005			
± .5			
<small>CONFIDENTIAL DISCLOSURE</small> This drawing is the property of POWEREX of the SCOTT FETTER COMPANY and is subject to return on demand. Its contents are confidential and must not be copied or submitted to outside parties for use or examination.		AUTHOR	APPROVALS ON FILE IN PLM
FROM: 715737 MATERIAL: SEE PART DRAWINGS		ASoulek	10/31/2018
DESCRIPTION: LAB OPEN SCROLL SYSTEM 2 HP DUPLEX WITH 80 GALLON TANK		DRAWING NUMBER: LSD02A3	REVISION: B D

