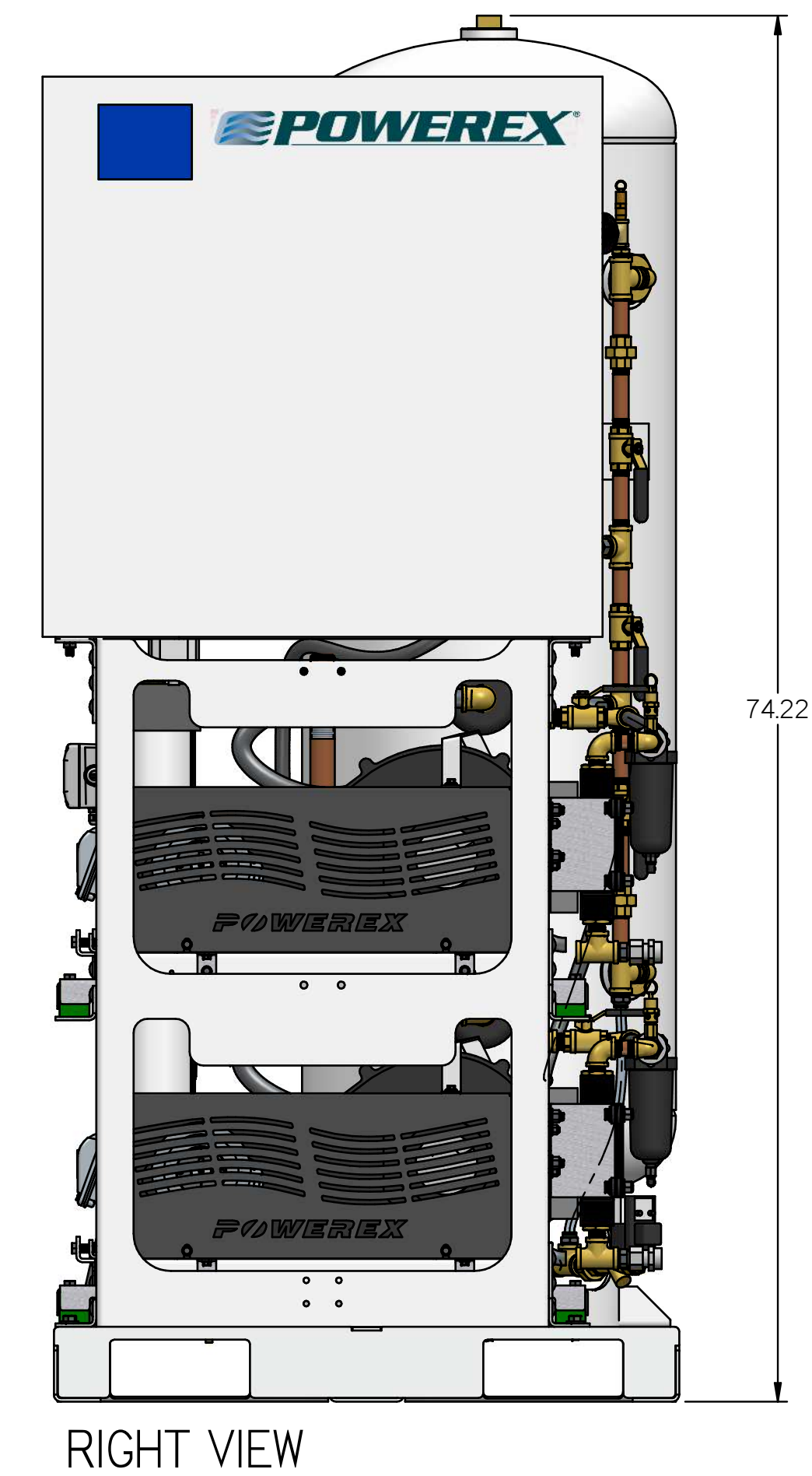
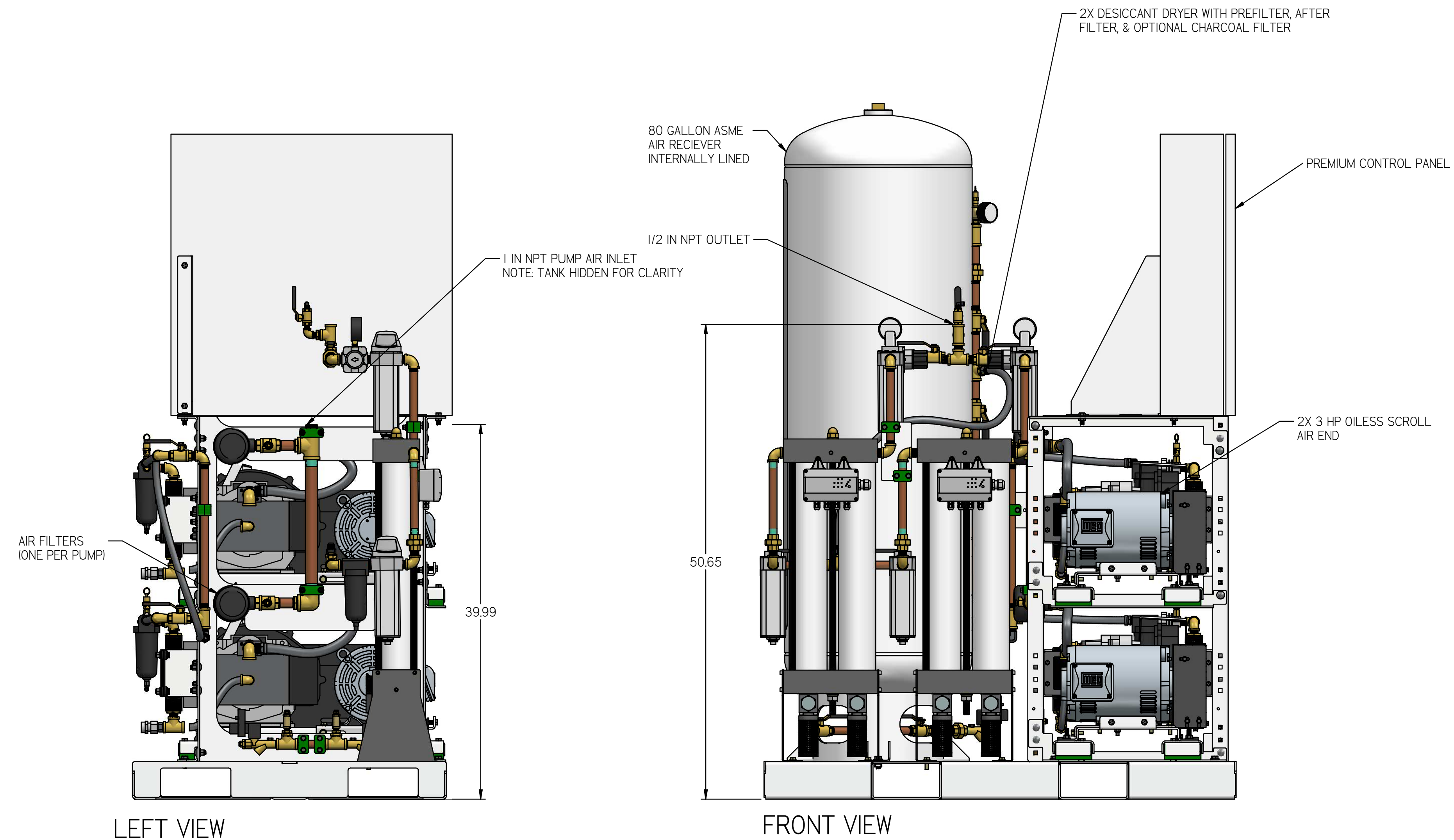
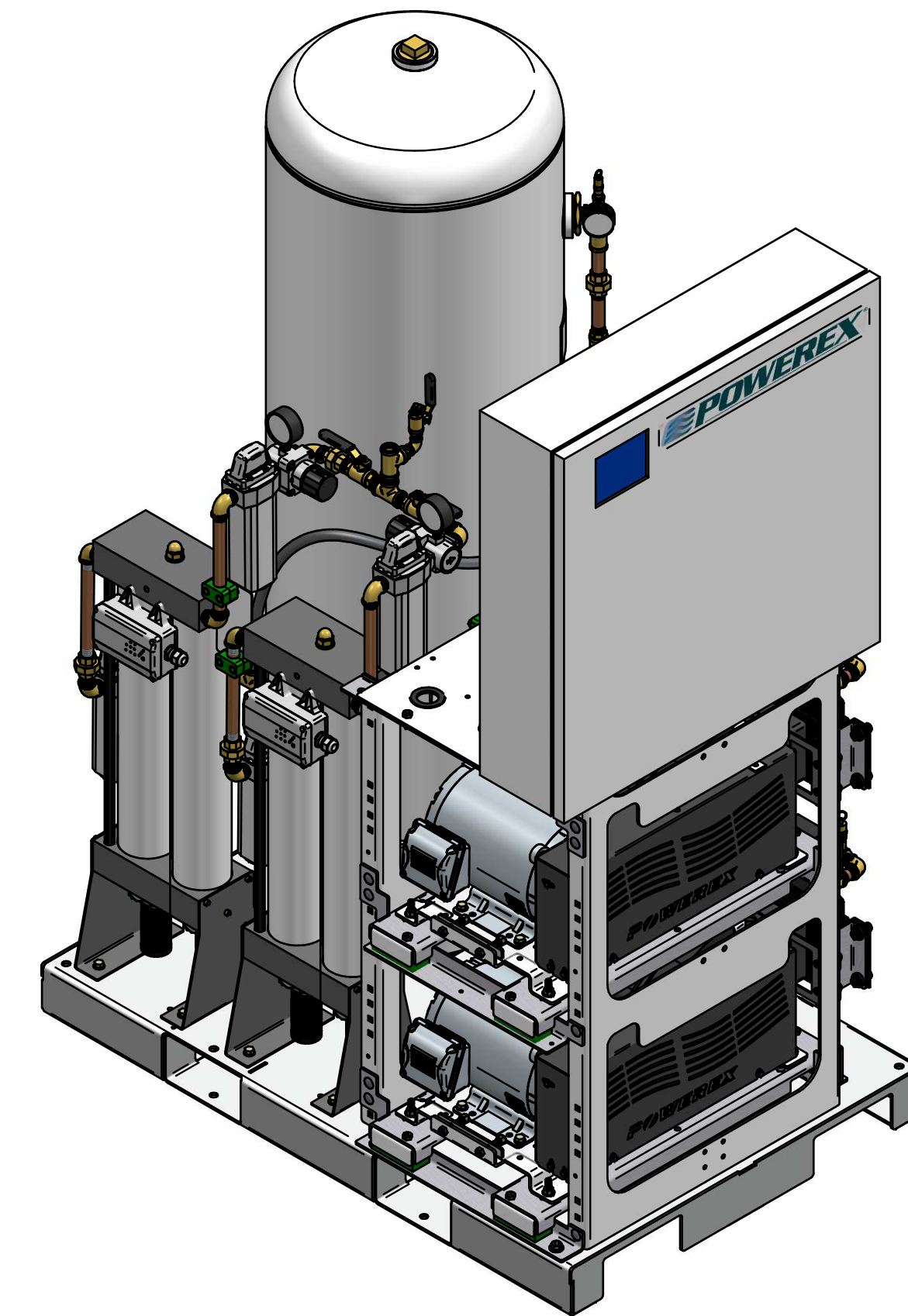
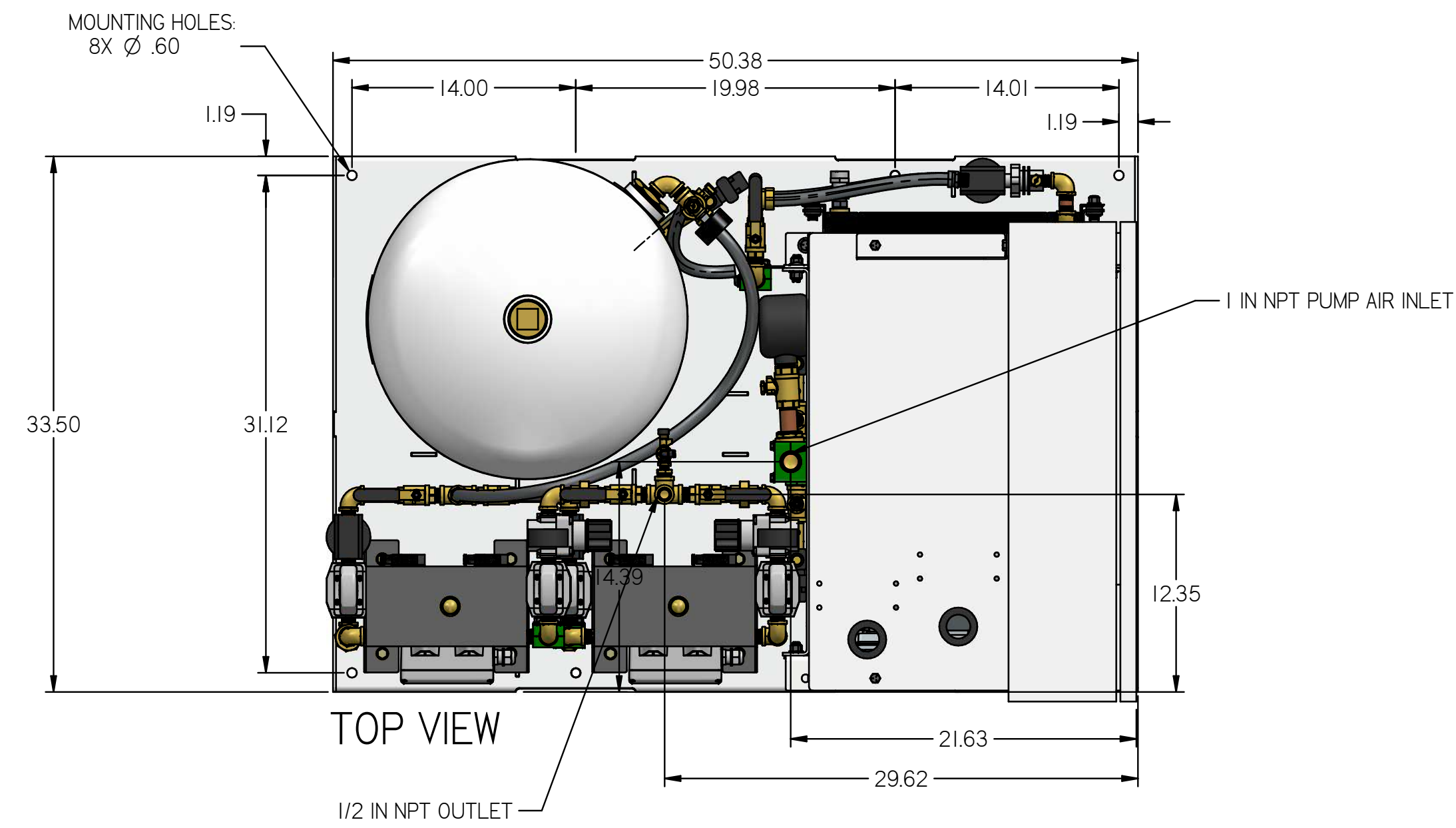


REVISION NOTES		
DESCRIPTION	ECN	PR/NOR
PRODUCTION RELEASE	PXECO169	N/A

LSD03A3

LAB OPEN SCROLL SYSTEM
3 HP DUPLEX WITH 80
GALLON TANK
PREMIUM PANEL



- NOTES
- APPROX SYSTEM WEIGHT: 1055 LB
 - 24" MINIMUM MAINTENANCE CLEARANCE RECOMMENDED ALL SIDES. CLEARANCE FOR CONTROL PANEL SHALL BE IN ACCORDANCE WITH OSHA/NEC REQUIREMENTS

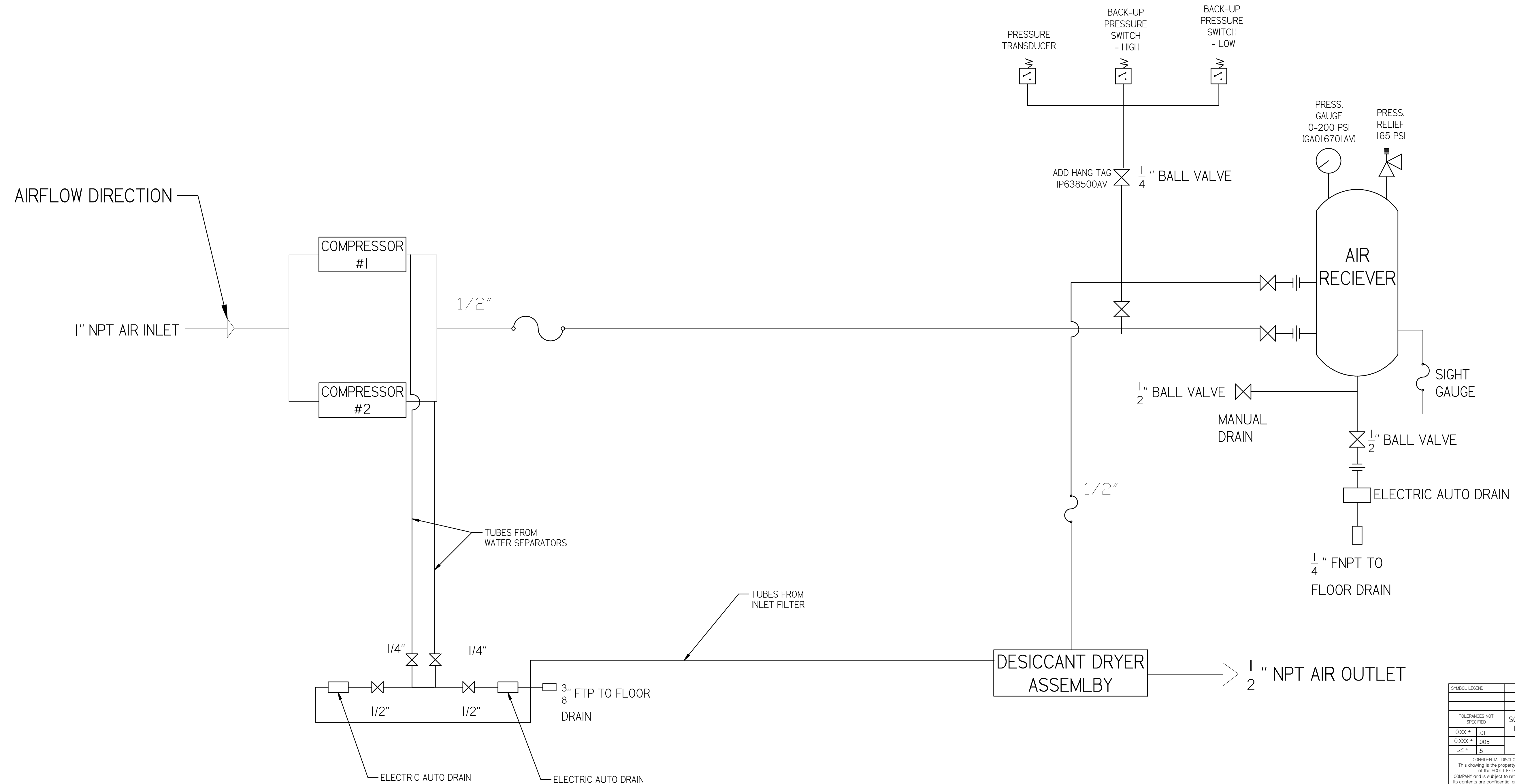
SYMBOL LEGEND		DRAWINGS TO CONFORM TO CURRENT REVISION OF THE FOLLOWING ANSI STANDARDS:		
TOLERANCES NOT SPECIFIED	SOLID EDGE DRAWING	DO NOT SCALE DRAWING FOR DIMENSIONS		
0.XXX ± .01	INCH	SHEET 1 OF 4	SCALE	1:10
0.XXX ± .005				
CONFIDENTIAL DISCLOSURE This drawing is the property of POWEREX of the SCOTT FETTER COMPANY and is subject to return on demand. Its contents are confidential and must not be copied or submitted to outside parties for use or examination.		AUTHOR	ORIGINATION DATE	APPROVALS ON FILE IN PLM
716452		ASoulek	10/31/2018	
MATERIAL: SEE PART DRAWINGS				
DESCRIPTION: LAB OPEN SCROLL SYSTEM 3 HP DUPLEX WITH 80 GALLON TANK		DRAWING NUMBER: LSD03A3	REVISION: B	SIZE: D

REVISION NOTES		
DESCRIPTION	ECN	PR/NOR
PRODUCTION RELEASE	PXECO169	N/A

LSD03A3

LAB OPEN SCROLL SYSTEM
3 HP DUPLEX WITH 80
GALLON TANK

SYSTEM FLOW DIAGRAM

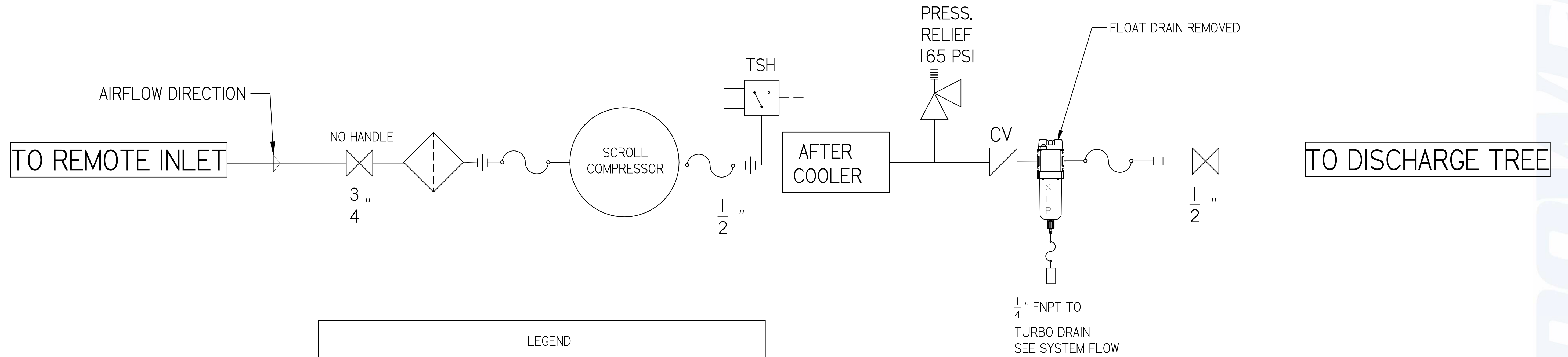


SYMBOL LEGEND		DRAWINGS TO CONFORM TO CURRENT REVISION OF THE FOLLOWING ANSI STANDARDS:	
TOLERANCES NOT SPECIFIED	SOLID EDGE DRAWING	Y14.3 MULTI AND SECTIONAL VIEW DIMS	
0.001 ± .001		Y14.5 DIMENSIONING AND TOLERANCING	
0.005 ± .005	INCH	SHEET 2 OF 4	SCALE 1:1
CONFIDENTIAL DISCLOSURE This drawing is the property of POWEREX of the SCOTT FETTER COMPANY and is subject to return on demand. Its contents are confidential and must not be copied or submitted to outside parties for use or examination.		A Soulek	APPROVALS ON FILE IN PLM
ITEM NO:	716452	ORIGINATION DATE:	10/31/2018
MATERIAL:	SEE PART DRAWINGS		
DESCRIPTION:	LAB OPEN SCROLL SYSTEM 3 HP DUPLEX WITH 80 GALLON TANK	DRAWING NUMBER:	LSD03A3
		REVISION:	B
		SIZE:	D

REVISION NOTES		
DESCRIPTION	ECN	PR/NOR
PRODUCTION RELEASE	PXECO169	N/A

LSD03A3

LAB OPEN SCROLL SYSTEM
3 HP DUPLEX WITH 80
GALLON TANK
LAB COMPRESSOR
FLOW DIAGRAM



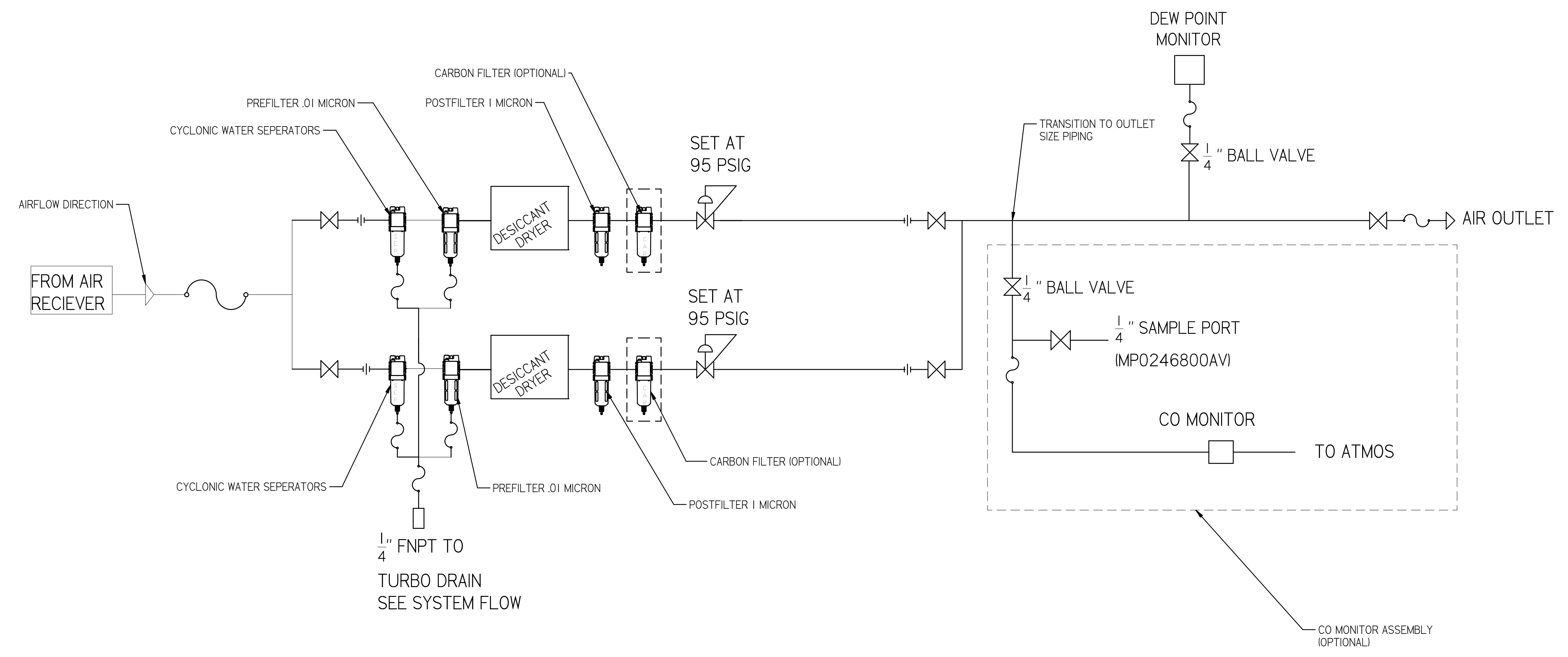
LEGEND	
	RELIEF VALVE
	INTAKE FILTER
	AIR FILTER
	3 WAY VALVE
	CARBON FILTER
	BALL VALVE
	PRESSURE SWITCH
	REGULATOR
	SEPARATOR
	CHECK VALVE
	FLEX LINE
	TSH HIGH TEMP SWITCH

SYMBOL LEGEND		DRAWINGS TO CONFORM TO CURRENT REVISION OF THE FOLLOWING ANSI STANDARDS: Y14.3 MULTI AND SECTIONAL VIEW DWGS Y14.5 DIMENSIONING AND TOLERANCING	
TOLERANCES NOT SPECIFIED	SOLID EDGE DRAWING	DO NOT SCALE DRAWING FOR DIMENSIONS	
0.001 ± .01	INCH	SHEET 3 OF 4	SCALE 1:1
0.005 ± .005			
CONFIDENTIAL DISCLOSURE This drawing is the property of POWEREX of the SCOTT FETTER COMPANY and is subject to return on demand. Its contents are confidential and must not be copied or submitted to outside parties for use or examination.		AUTHOR	APPROVALS ON FILE IN PLM
ITEM NO: 716452		ASoulek	10/31/2018
MATERIAL: SEE PART DRAWINGS		 <small>150 PRODUCTION DRIVE, HARRISON OH 45030 888-768-7079</small>	
DESCRIPTION: LAB OPEN SCROLL SYSTEM 3 HP DUPLEX WITH 80 GALLON TANK		DRAWING NUMBER: LSD03A3	REVISION: B D

REVISION NOTES		
DESCRIPTION	ECN	PR/NOR
PRODUCTION RELEASE	PXECO169	N/A

LSD03A3

LAB OPEN SCROLL SYSTEM
3 HP DUPLEX WITH 80 GALLON TANK
LAB DRYER
FLOW DIAGRAM



PUMP COUNT	DRYER PLUMBING SIZE	OUTLET PIPE SIZE
2	1/2"	1/2"
3	1/2"	1"
4	1/2"	1"
6	1"	1-1/2"
8	1"	1-1/2"
9	1"	1-1/2"
12	1-1/2"	2"
15	1-1/2"	2"
18	1-1/2"	2"

SYMBOL LEGEND		DRAWINGS TO CONFORM TO CURRENT REVISION OF THE FOLLOWING ANSI STANDARDS: Y14.3 MULTI AND SECTIONAL VIEW DWGS Y14.5 DIMENSIONING AND TOLERANCING	
TOLERANCES NOT SPECIFIED	SOLID EDGE DRAWING	DO NOT SCALE DRAWING FOR DIMENSIONS	
0.001 ± .01	INCH	SHEET 4 OF 4	SCALE 1:1
0.005 ± .005			
<small>CONFIDENTIAL DISCLOSURE</small> This drawing is the property of POWEREX of the SCOTT FETTER COMPANY and is subject to return on demand. Its contents are confidential and must not be copied or submitted to outside parties for use or examination.		AUTHOR	APPROVALS ON FILE IN PLM
<small>ITEM NO:</small> 716452 <small>MATERIAL:</small> SEE PART DRAWINGS		ASoulek	10/31/2018
<small>DESCRIPTION:</small> LAB OPEN SCROLL SYSTEM 3 HP DUPLEX WITH 80 GALLON TANK		<small>DRAWING NUMBER:</small> LSD03A3 <small>REVISION:</small> B <small>SIZE:</small> D	<small>POWEREX</small> <small>150 PRODUCTION DRIVE, HARRISON OH 45030</small> <small>888-768-7079</small>

