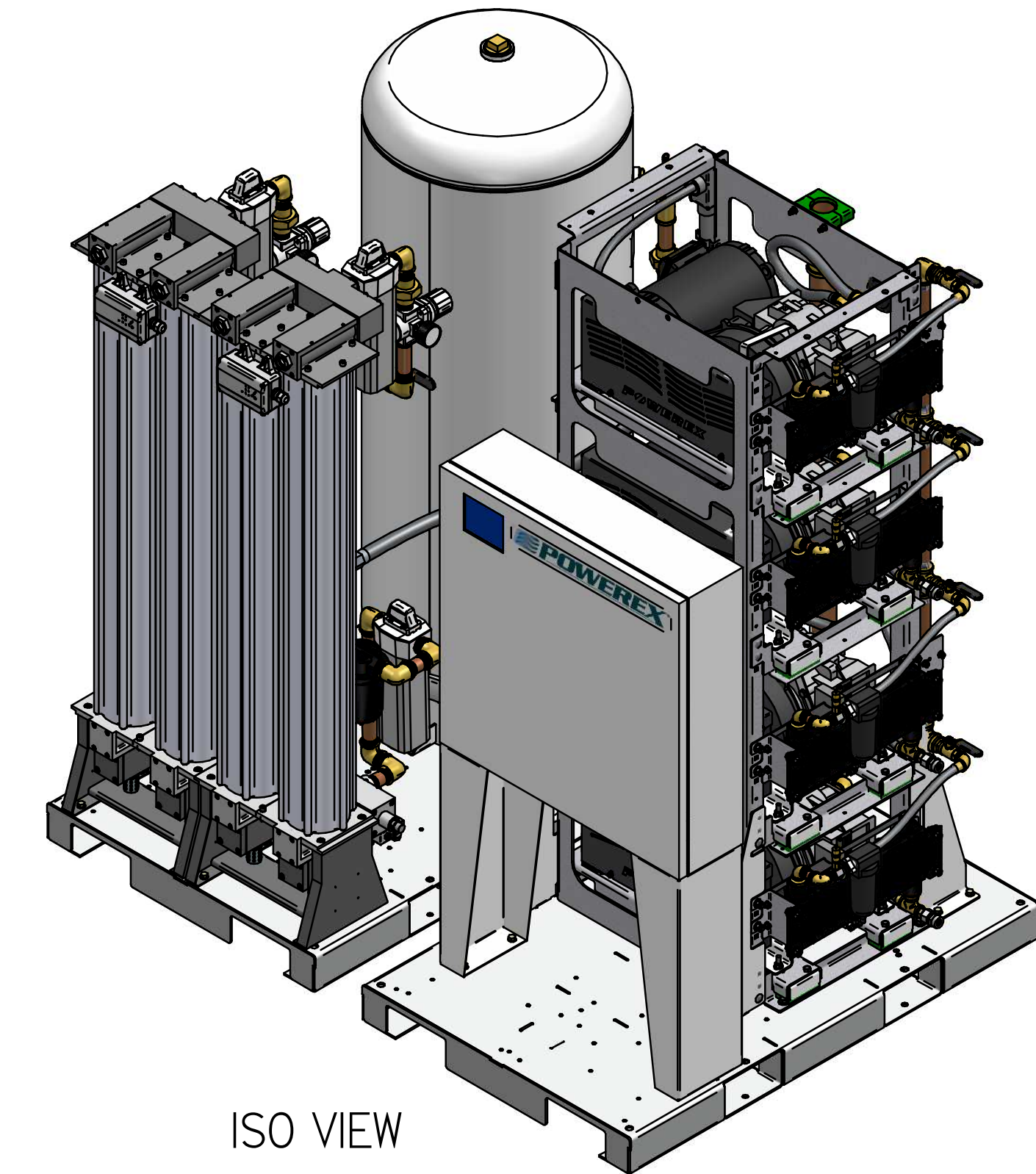
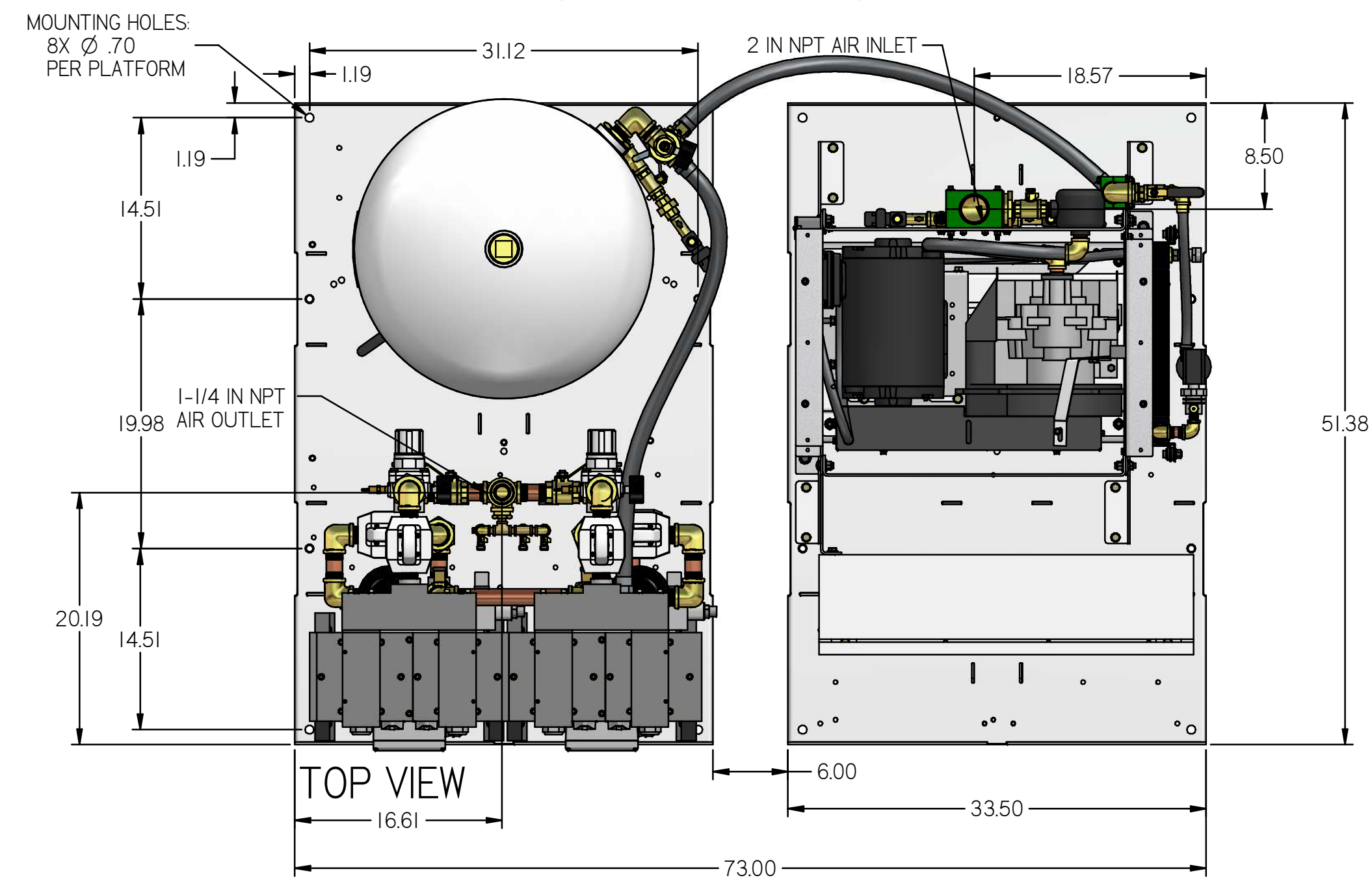


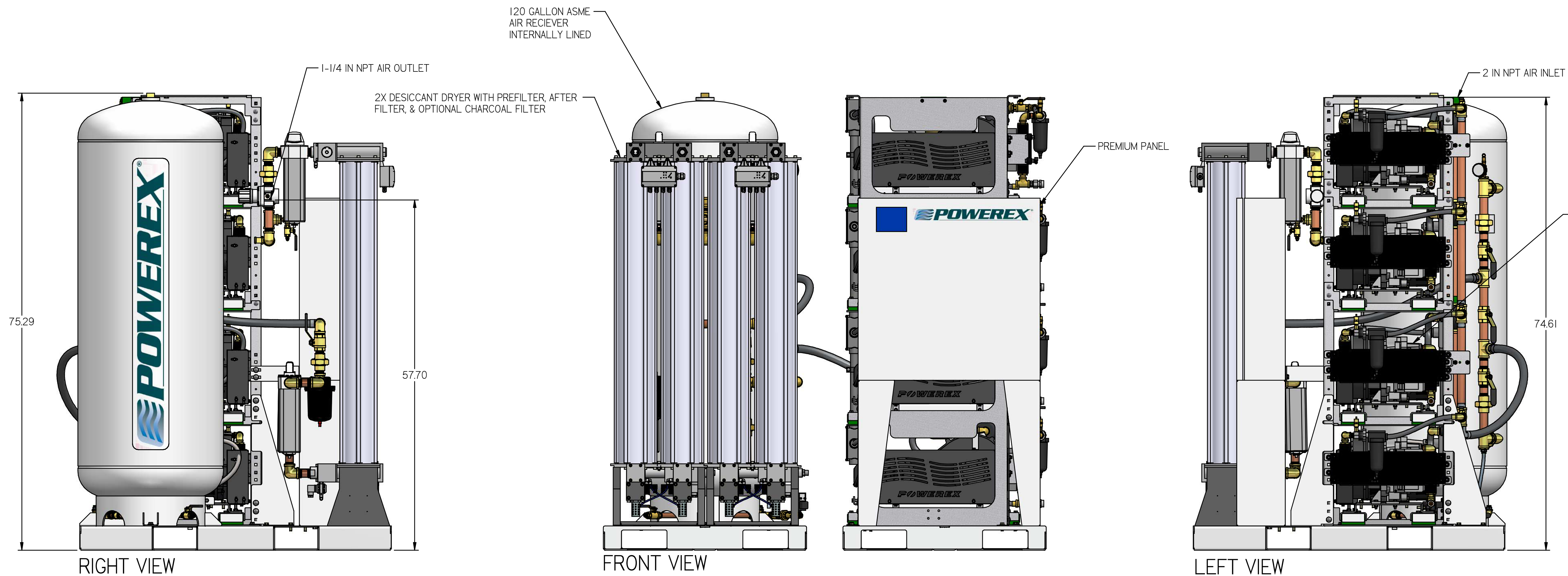
REVISION NOTES		
DESCRIPTION	ECN	PR/NOR
PRODUCTION RELEASE	PXECO169	N/A

LSD10A4

LAB OPEN SCROLL SYSTEM 10 HP DUPLEX 120 TANK



ISO VIEW



RIGHT VIEW

FRONT VIEW

LEFT VIEW

- NOTES:
 1. APPROX SYSTEM WEIGHT: 2425 LB
 2. 24" MINIMUM MAINTENANCE CLEARANCE RECOMMENDED ALL SIDES. CLEARANCE FOR CONTROL PANELS SHALL BE IN ACCORDANCE WITH OSHA/NEC REQUIREMENTS

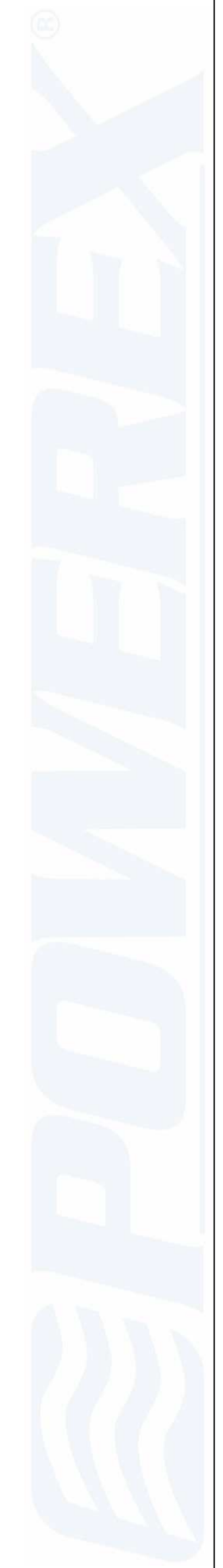
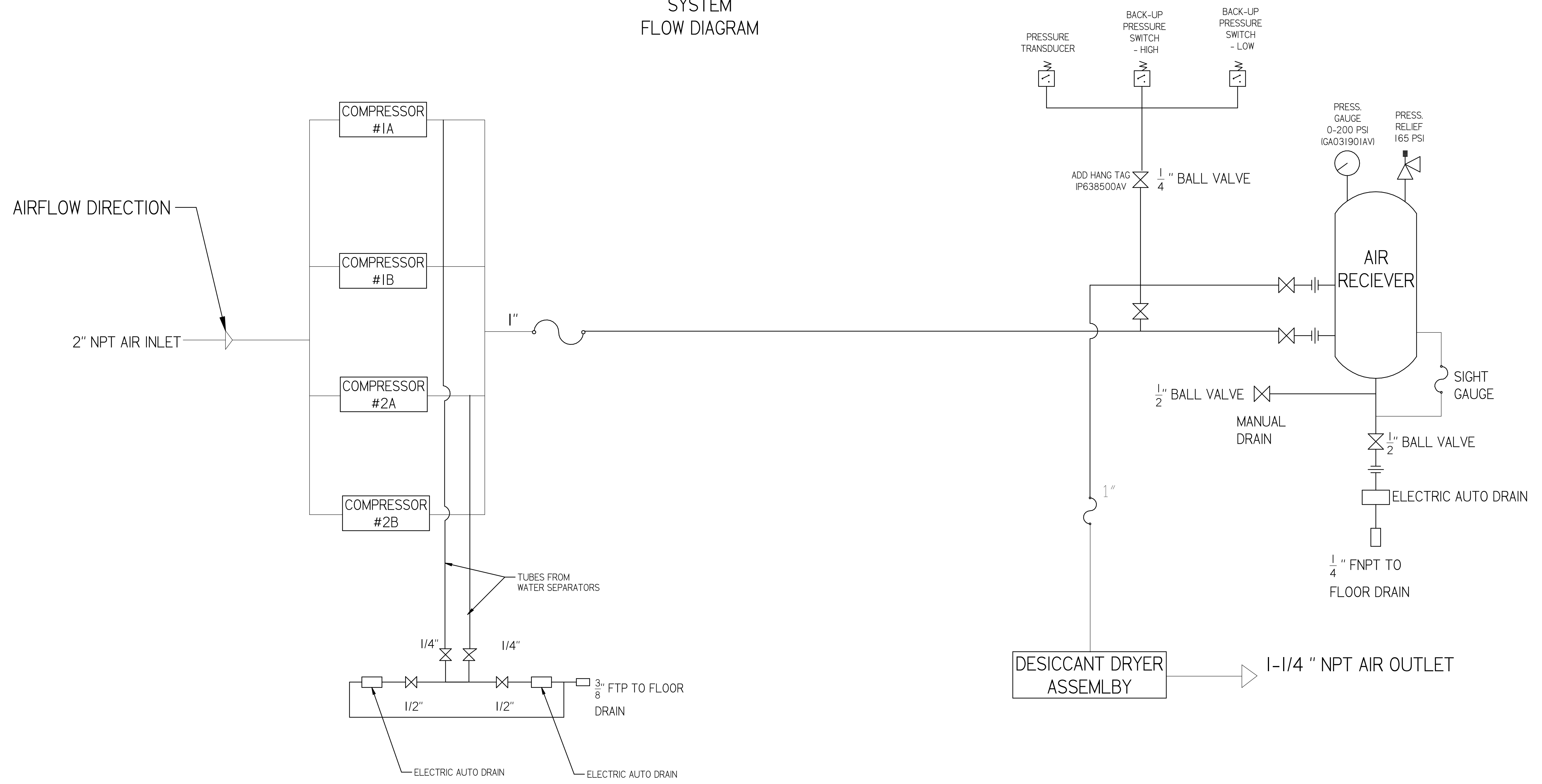
SYMBOL LEGEND		DRAWINGS TO CONFORM TO CURRENT REVISION OF THE FOLLOWING ANSI STANDARDS:	
TOLERANCES NOT SPECIFIED	SOLID EDGE DRAWING	Y14.3 MULTI AND SECTIONAL VIEW DWGS	Y14.5 DIMENSIONING AND TOLERANCING
0.XXX ± .01	DO NOT SCALE DRAWING FOR DIMENSIONS	SHEET 1 OF 4	SCALE 1:10
0.XXX ± .005			
± .5	INCH	APPROVALS ON FILE IN PLM	
<small>CONFIDENTIAL DISCLOSURE</small> This drawing is the property of POWEREX of the SCOTT FETTER COMPANY and is subject to return on demand. Its contents are confidential and must not be copied or submitted to outside parties for use or examination.		AUTHOR	ORIGINATION DATE
TITLE: 716187		ASoulek	11/1/2018
MATERIAL: SEE PART NOTES			
DESCRIPTION: LAB OPEN SCROLL SYSTEM 10 HP DUPLEX 120 TANK		DRAWING NUMBER LSD10A4	REVISION B SIZE D

LSD10A4

LAB OPEN SCROLL SYSTEM 10 HP DUPLEX 120 TANK

SYSTEM FLOW DIAGRAM

REVISION NOTES		
DESCRIPTION	ECN	PR/NOR
PRODUCTION RELEASE	PXECO169	N/A

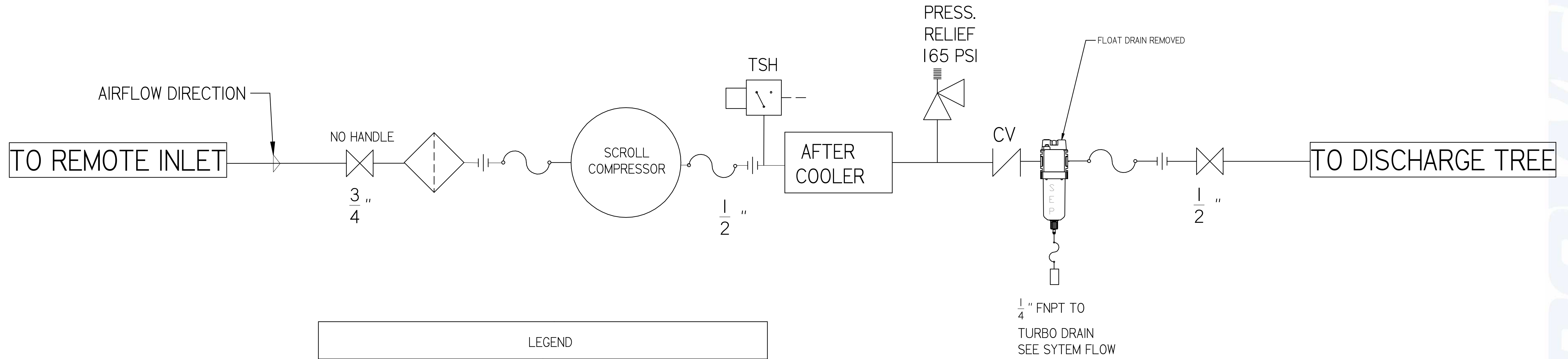


SYMBOL LEGEND	DRAWINGS TO CONFORM TO CURRENT REVISION OF THE FOLLOWING ANSI STANDARDS: #14.3 MULTI AND SECTIONAL VIEW DWGS #14.5 DIMENSIONING AND TOLERANCING		
TOLERANCES NOT SPECIFIED	SOLID EDGE DRAWING	DO NOT SCALE DRAWING FOR DIMENSIONS	
0.001 ± .001			
0.005 ± .005			
1/16" ± .005	INCH	SHEET 2 OF 4	SCALE 1:1
<small>CONFIDENTIAL DISCLOSURE</small> <small>This drawing is the property of POWEREX of the SCOTT FETTER COMPANY and is subject to return on demand. Its contents are confidential and must not be copied or submitted to outside parties for use or examination.</small>		AUTHOR	APPROVALS ON FILE IN PLM
FROM: 716187	ASoulek	ORIGINATION DATE: 11/1/2018	
MATERIAL: SEE PART NOTES			
DESCRIPTION: LAB OPEN SCROLL SYSTEM 10 HP DUPLEX 120 TANK	DRAWING NUMBER: LSD10A4	REVISION: B	SIZE: D

REVISION NOTES		
DESCRIPTION	ECN	PR/NOR
PRODUCTION RELEASE	PXECO169	N/A

LSD10A4

LAB OPEN SCROLL SYSTEM
10 HP DUPLEX 120 TANK
LAB COMPRESSOR
FLOW DIAGRAM



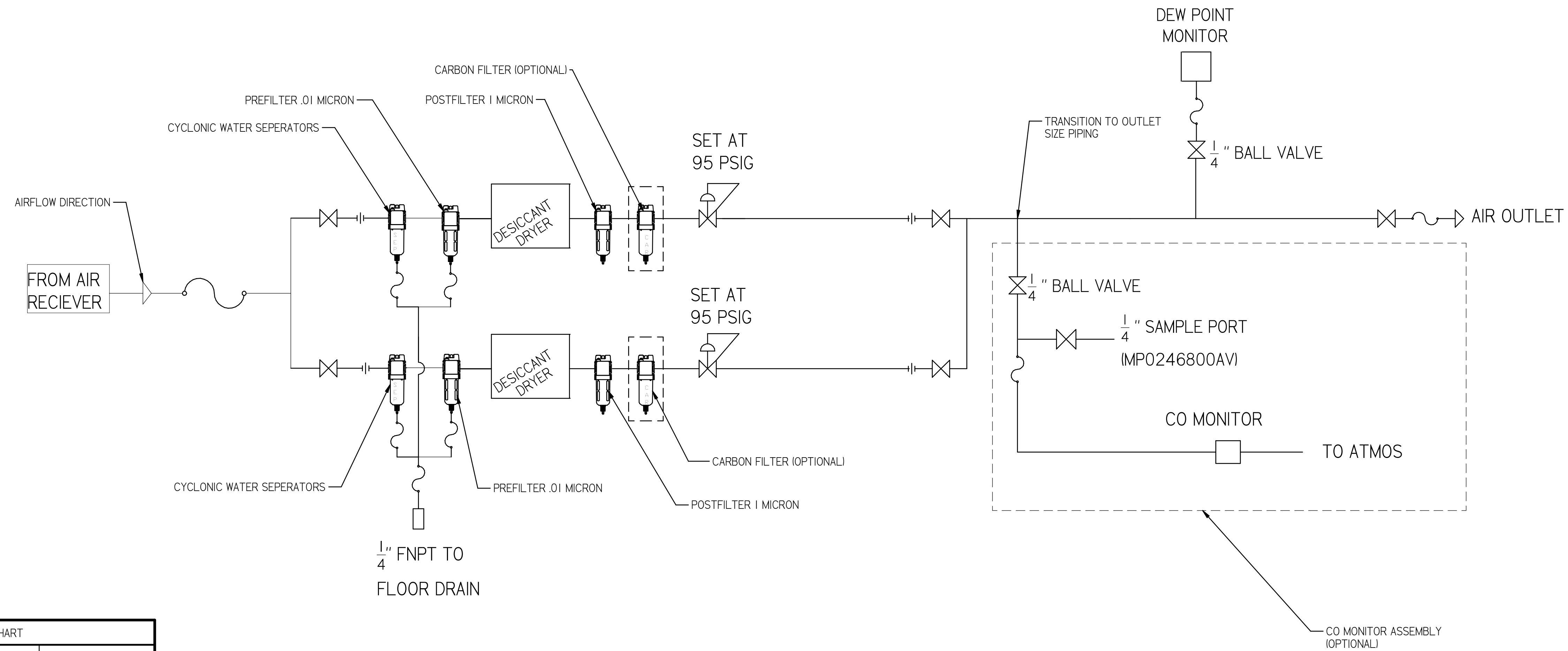
LEGEND	
	RELIEF VALVE
	INTAKE FILTER
	AIR FILTER
	3 WAY VALVE
	CARBON FILTER
	BALL VALVE
	PRESSURE SWITCH
	REGULATOR
	SEPARATOR
	CHECK VALVE
	FLEX LINE
	TSH HIGH TEMP SWITCH

SYMBOL LEGEND		DRAWINGS TO CONFORM TO CURRENT REVISION OF THE FOLLOWING ANSI STANDARDS:	
TOLERANCES NOT SPECIFIED:		Y14.3 MULTI AND SECTIONAL VIEW DWGS	
0.0005 ±	0.01	Y14.5 DIMENSIONING AND TOLERANCING	
0.0005 ±	0.005	SHEET 3 OF 4	
0.0005 ±	0.005	SCALE	1:1
CONFIDENTIAL DISCLOSURE This drawing is the property of POWEREX of the SCOTT FETTER COMPANY and is subject to return on demand. Its contents are confidential and must not be copied or submitted to outside parties for use or examination.		AUTHOR	APPROVALS ON FILE IN PLM
PART NUMBER: 716187		ASoulek	11/1/2018
MATERIAL: SEE PART NOTES			
DESCRIPTION: LAB OPEN SCROLL SYSTEM 10 HP DUPLEX 120 TANK		DRAWING NUMBER: LSD10A4	REVISION: B
			SIZE: D

REVISION NOTES		
DESCRIPTION	ECN	PR/NOR
PRODUCTION RELEASE	PXECO169	N/A

LSD10A4

LAB OPEN SCROLL SYSTEM
10 HP DUPLEX 120 TANK
LAB DRYER
FLOW DIAGRAM



PUMP COUNT	DRYER PLUMBING SIZE	OUTLET PIPE SIZE
2	1/2"	1/2"
3	1/2"	1"
4	1"	1-1/4"
6	1"	1-1/2"
8	1"	1-1/2"
9	1"	1-1/2"
12	1-1/2"	2"
15	1-1/2"	2"
18	1-1/2"	2"

SYMBOL LEGEND		DRAWINGS TO CONFORM TO CURRENT REVISION OF THE FOLLOWING ANSI STANDARDS: Y14.3 MULTI AND SECTIONAL VIEW DWGS Y14.5 DIMENSIONING AND TOLERANCING	
TOLERANCES NOT SPECIFIED	SOLID EDGE DRAWING	DO NOT SCALE DRAWING FOR DIMENSIONS	
0.XXX ± .01	INCH	SHEET 4 OF 4	SCALE 1:1
0.XXX ± .005			
± .5			
<small>CONFIDENTIAL DISCLOSURE</small> This drawing is the property of POWEREX or the SCOTT FETTER COMPANY and is subject to return on demand. Its contents are confidential and must not be copied or submitted to outside parties for use or examination.		AUTHOR	APPROVALS ON FILE IN PLM
<small>CONFIDENTIAL DISCLOSURE</small> This drawing is the property of POWEREX or the SCOTT FETTER COMPANY and is subject to return on demand. Its contents are confidential and must not be copied or submitted to outside parties for use or examination.		ASoulek	11/1/2018
ITEM NO: 716187 MATERIAL: SEE PART NOTES			
DESCRIPTION: LAB OPEN SCROLL SYSTEM 10 HP DUPLEX 120 TANK		DRAWING NUMBER: LSD10A4	REVISION: B D