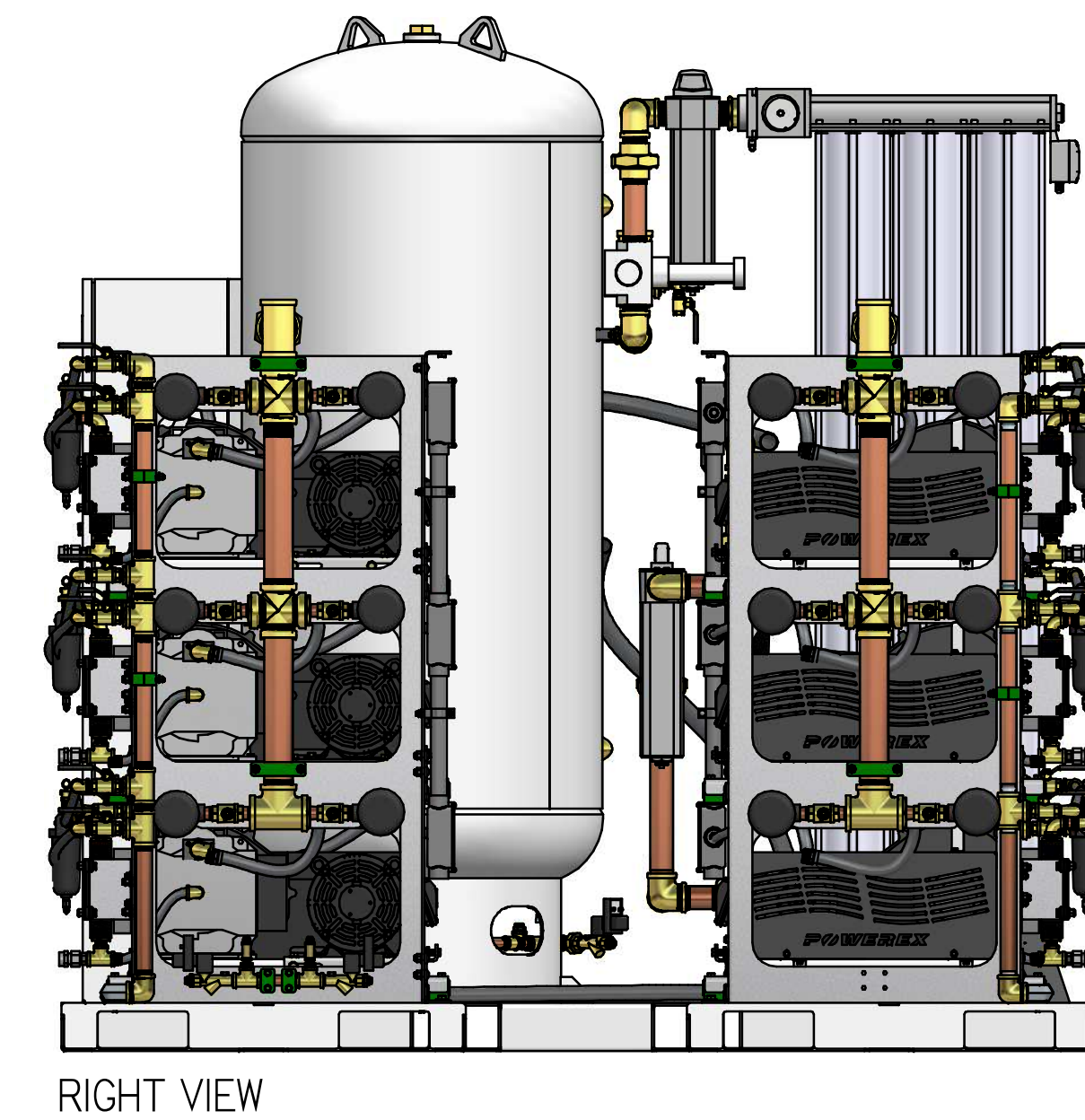
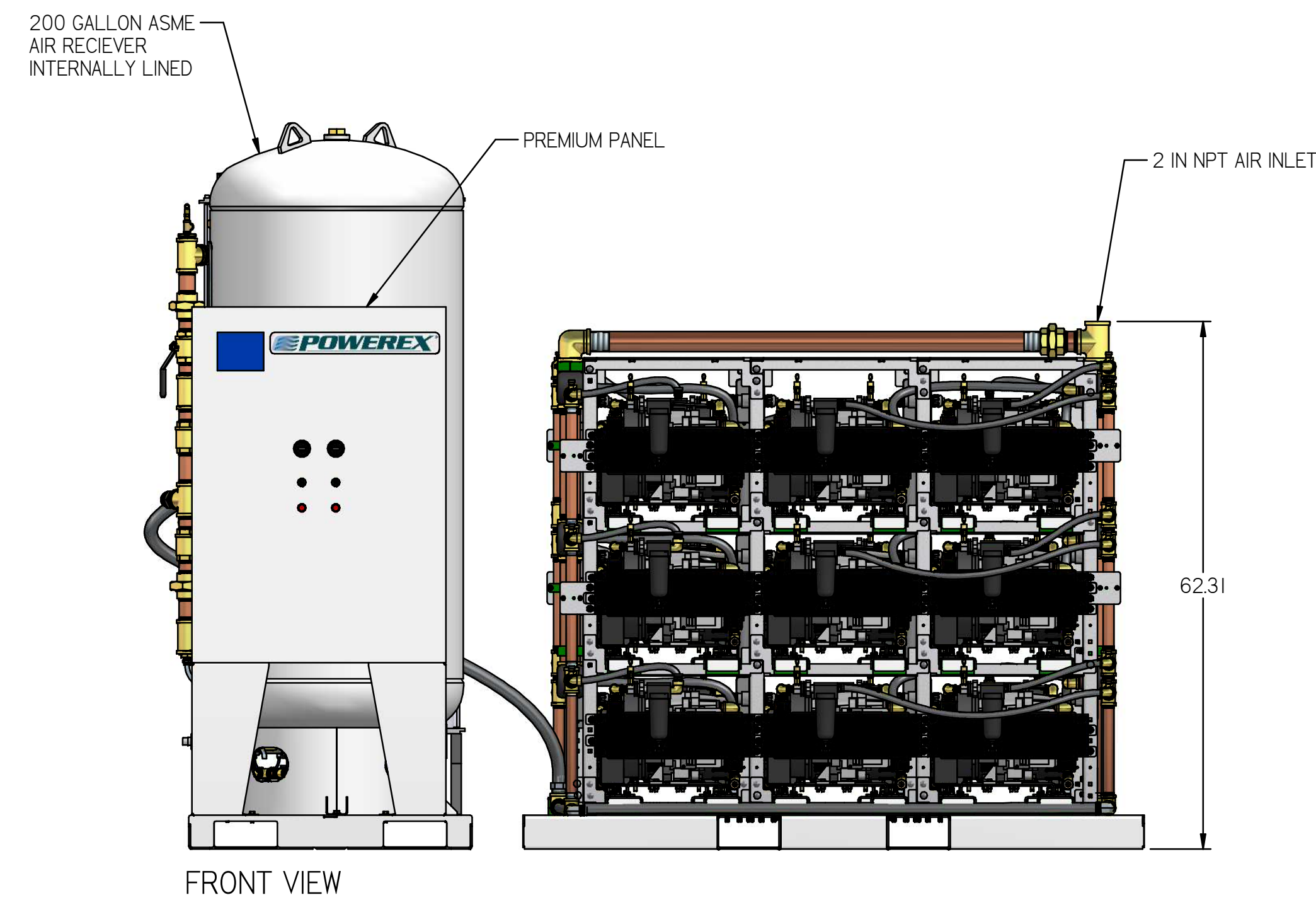
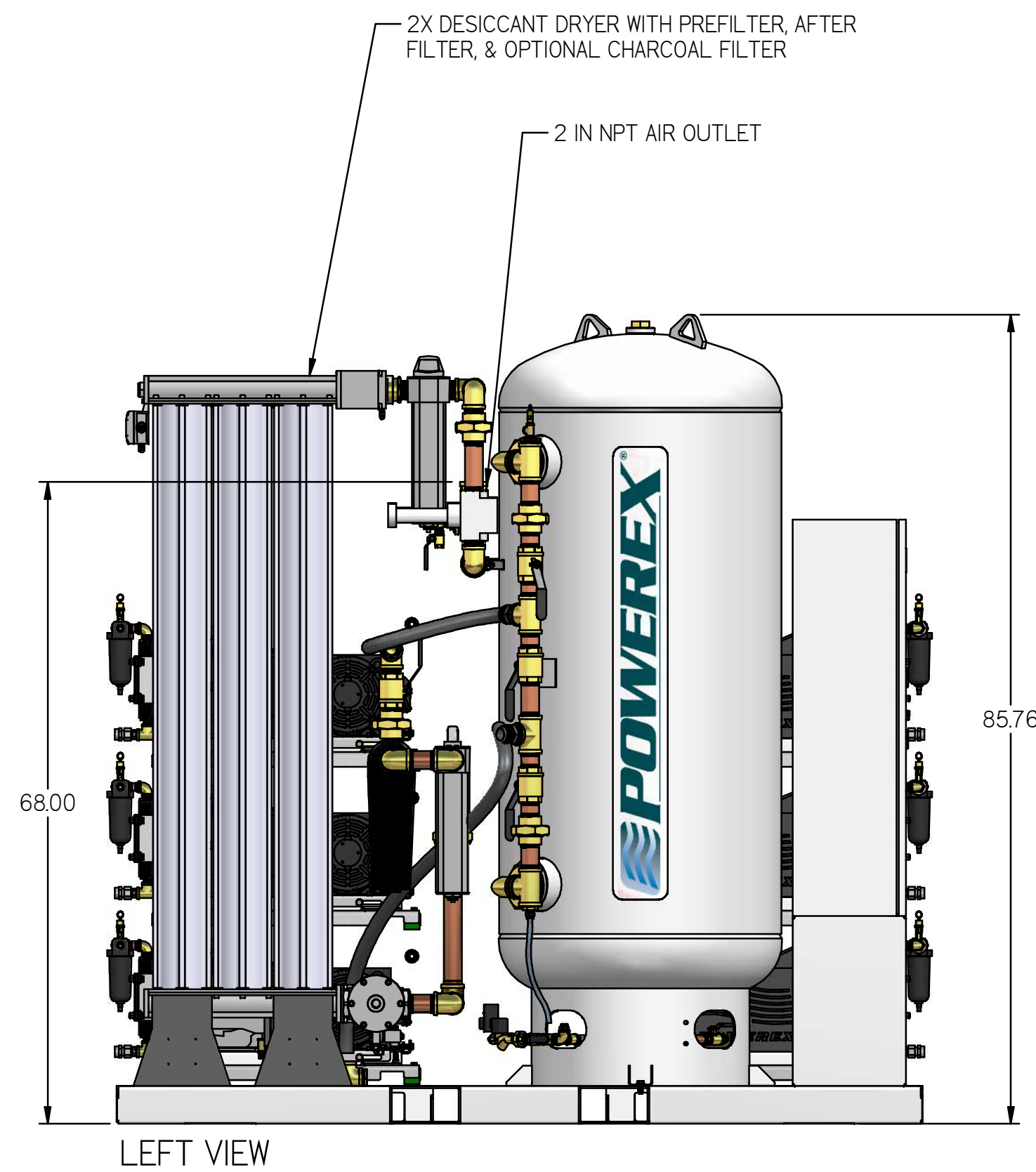
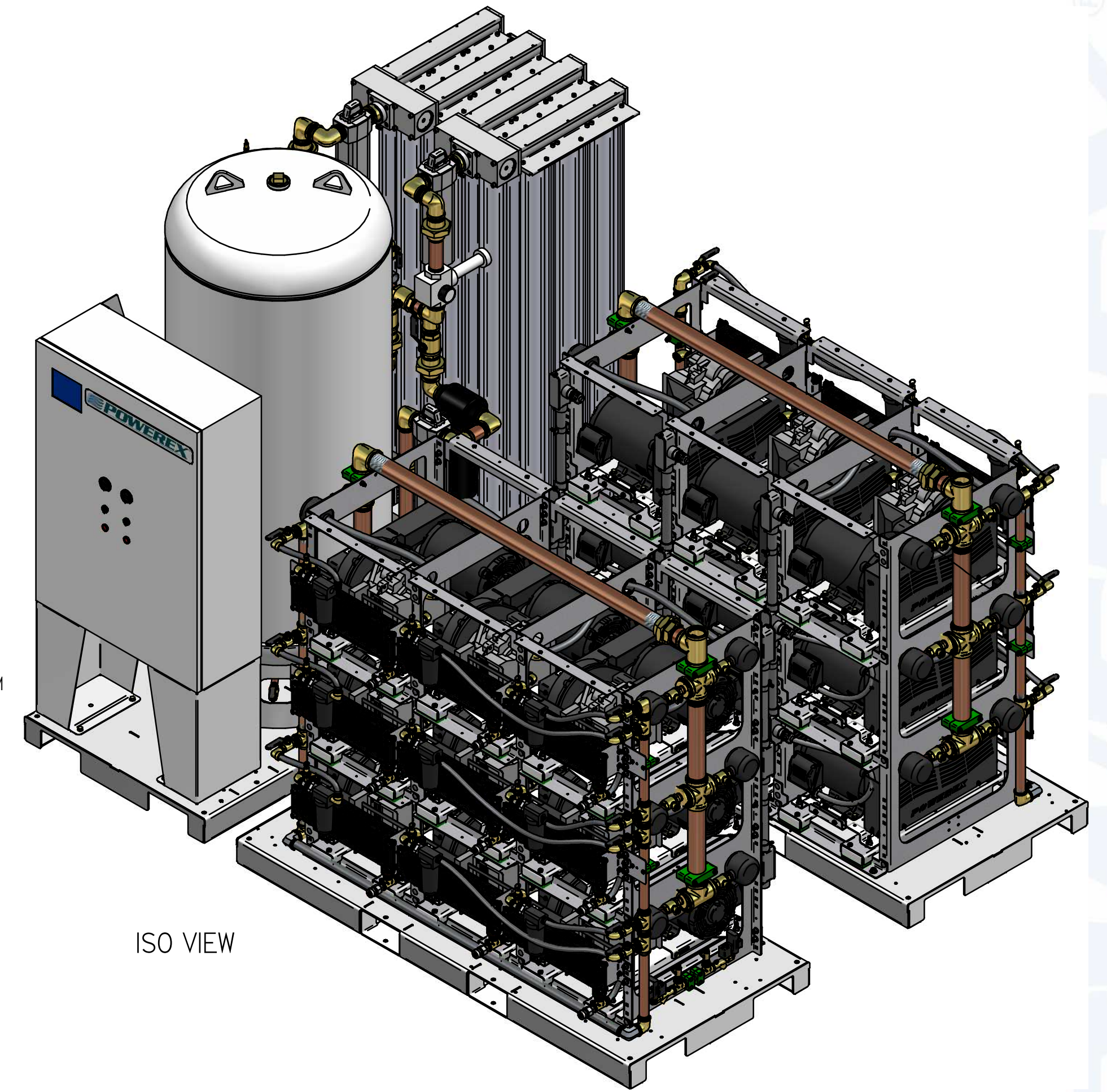
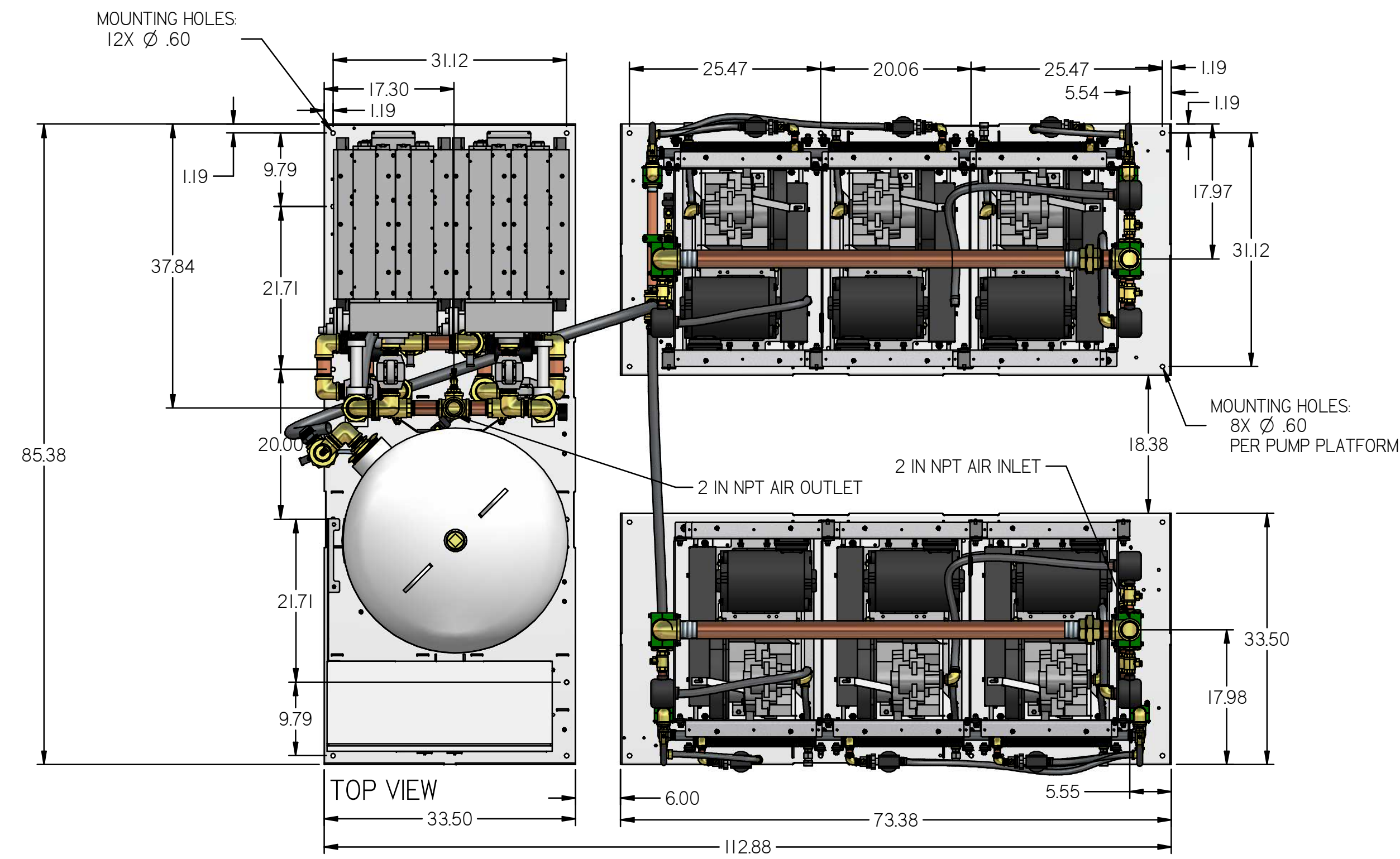


REVISION NOTES		
DESCRIPTION	ECN	PR/NOR
PRODUCTION RELEASE	PXECO169	N/A

LSHI5A5

LAB SCROLL 15 HP
HEXAPLEX WITH 200 GALLON
AIR RECIEVER



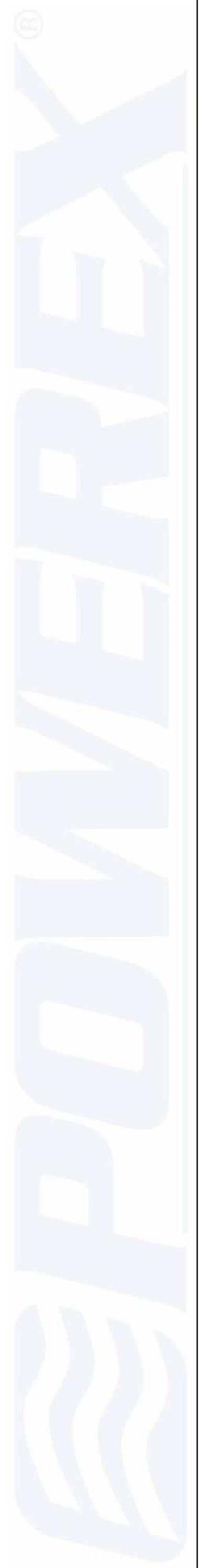
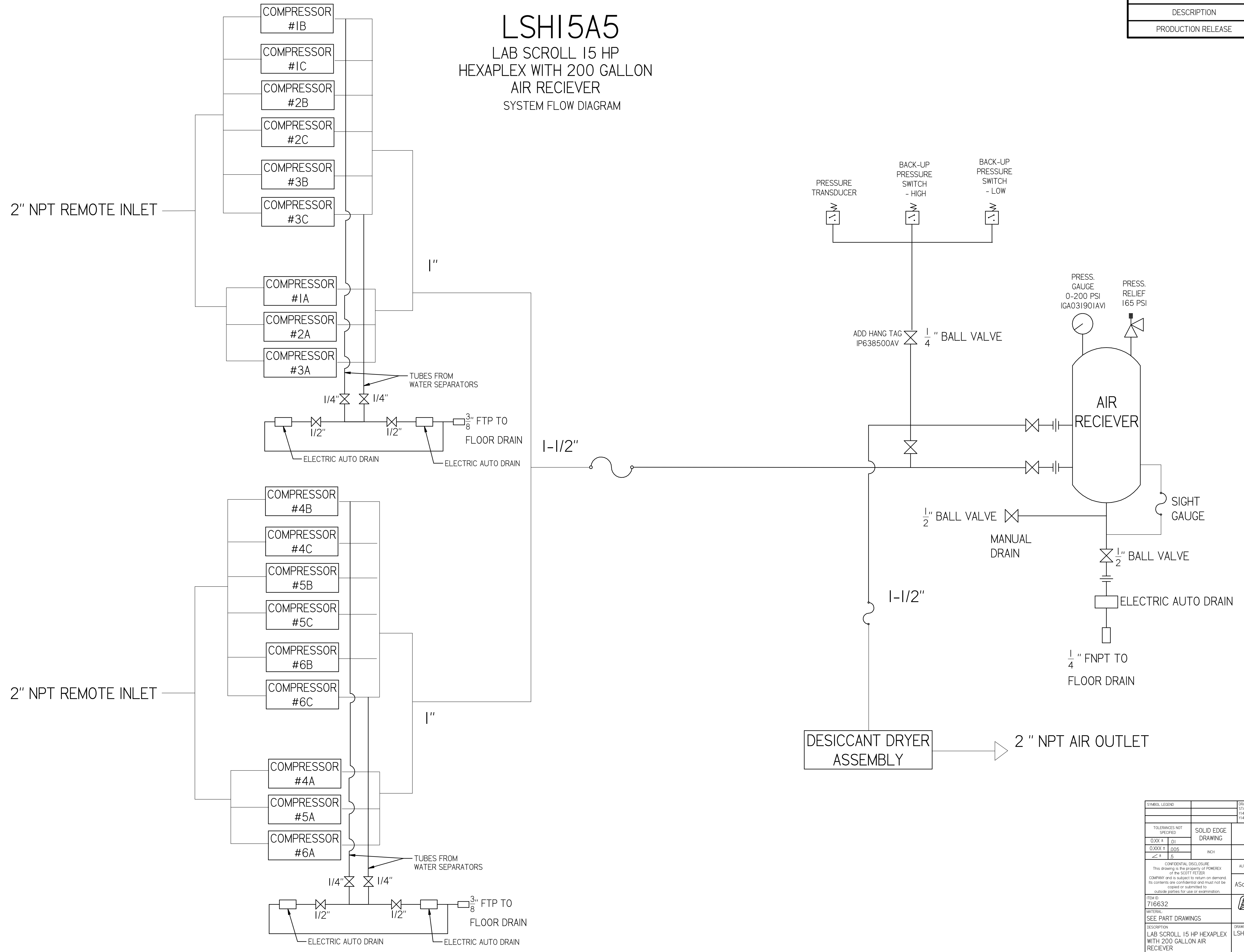
- NOTES:
- APPROX SYSTEM WEIGHT: 7959 LB
 - 24" MINIMUM MAINTENANCE CLEARANCE RECOMMENDED ALL SIDES. CLEARANCE FOR CONTROL PANEL SHALL BE IN ACCORDANCE WITH OSHA/NEC REQUIREMENTS

SYMBOL LEGEND		DRAWINGS TO CONFORM TO CURRENT REVISION OF THE FOLLOWING ANSI STANDARDS:	
TOLERANCES NOT SPECIFIED		Y14.3 MULTI AND SECTIONAL VIEW DIMS	
DXXX ± .01		Y14.5 DIMENSIONING AND TOLERANCING	
DXXX ± .005	INCH	DO NOT SCALE DRAWING FOR DIMENSIONS	
± .5	INCH	SHEET 1 OF 4	SCALE 1:14.29
CONFIDENTIAL DISCLOSURE This drawing is the property of POWEREX of the SCOTT FETTER COMPANY and is subject to return on demand. Its contents are confidential and must not be copied or submitted to outside parties for use or examination.		AUTHOR	APPROVALS ON FILE IN PLM
716632		ASoulek	10/31/2018
MATERIAL SEE PART DRAWINGS			
DESCRIPTION LAB SCROLL 15 HP HEXAPLEX WITH 200 GALLON AIR RECIEVER		DRAWING NUMBER LSHI5A5	REVISION B
		SIZE B	D

REVISION NOTES		
DESCRIPTION	ECN	PR/NOR
PRODUCTION RELEASE	PXECO169	N/A

LSHI5A5

LAB SCROLL 15 HP
HEXAPLEX WITH 200 GALLON
AIR RECIEVER
SYSTEM FLOW DIAGRAM

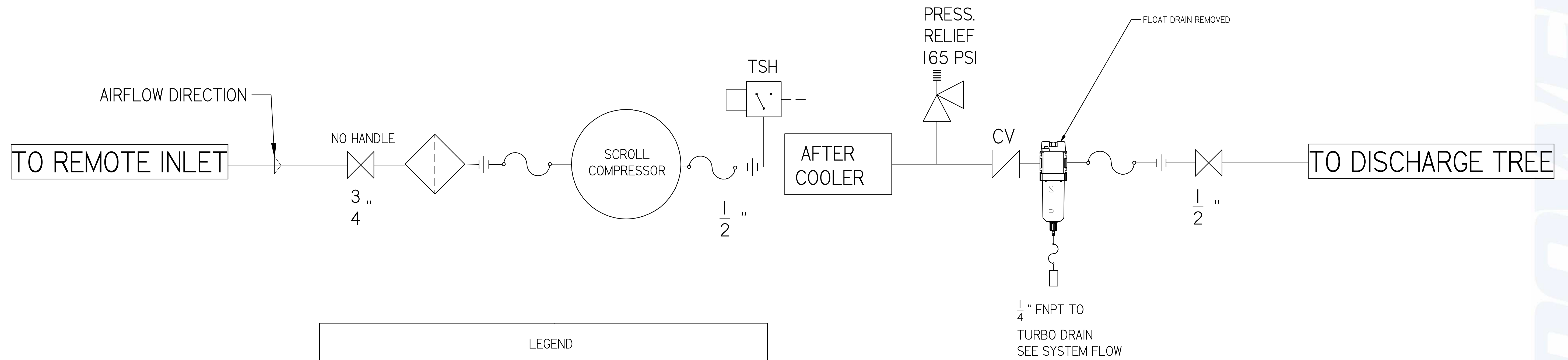


SYMBOL LEGEND		DRAWINGS TO CONFORM TO CURRENT REVISION OF THE FOLLOWING ANSI STANDARDS:	
		Y14.3 MULTI AND SECTIONAL VIEW DWGS	
		Y14.5 DIMENSIONING AND TOLERANCING	
TOLERANCES NOT SPECIFIED	SOLID EDGE DRAWING	DO NOT SCALE DRAWING FOR DIMENSIONS	
0.000 ± .01	INCH	SHEET 2 OF 4	SCALE 1:1
0.000 ± .005			
<small>CONFIDENTIAL DISCLOSURE</small> This drawing is the property of POWEREX of the SCOTT FETTER COMPANY and is subject to return on demand. Its contents are confidential and must not be copied or submitted to outside parties for use or examination.		AUTHOR	ORIGINATION DATE
ITEM # 716632 MATERIAL SEE PART DRAWINGS		ASoulek	10/31/2018
APPROVALS ON FILE IN PLM			
DESCRIPTION LAB SCROLL 15 HP HEXAPLEX WITH 200 GALLON AIR RECIEVER		DRAWING NUMBER LSHI5A5	REVISION B
		SIZE	D

REVISION NOTES		
DESCRIPTION	ECN	PR/NOR
PRODUCTION RELEASE	PXECO169	N/A

LSHI5A5

LAB SCROLL 15 HP
HEXAPLEX WITH 200 GALLON
AIR RECIEVER
LAB COMPRESSOR
FLOW DIAGRAM



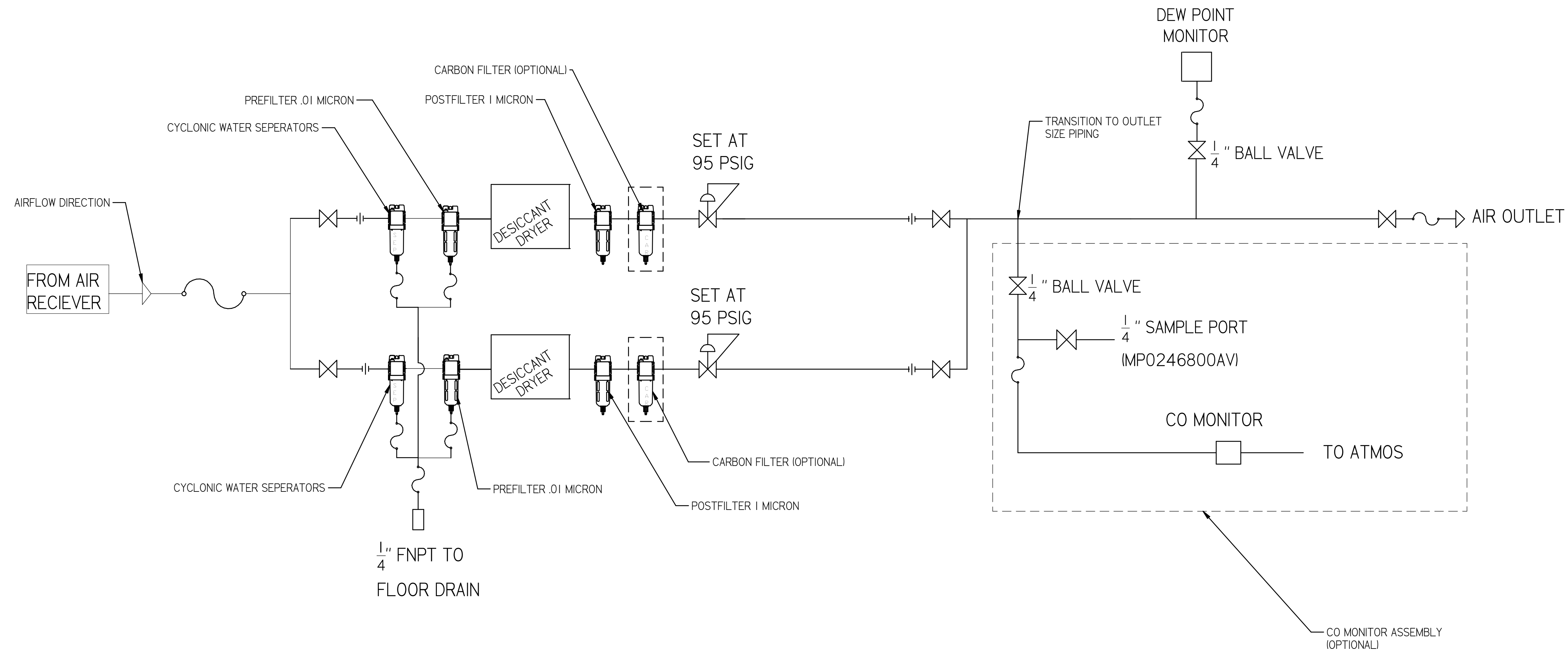
LEGEND	
	RELIEF VALVE
	INTAKE FILTER
	AIR FILTER
	3 WAY VALVE
	CARBON FILTER
	BALL VALVE
	PRESSURE SWITCH
	REGULATOR
	SEPARATOR
	CHECK VALVE
	FLEX LINE
	TSH HIGH TEMP SWITCH

SYMBOL LEGEND		DRAWINGS TO CONFORM TO CURRENT REVISION OF THE FOLLOWING ANSI STANDARDS:	
		Y14.3 MULTI AND SECTIONAL VIEW DWGS Y14.5 DIMENSIONING AND TOLERANCING	
TOLERANCES NOT SPECIFIED	SOLID EDGE DRAWING	DO NOT SCALE DRAWING FOR DIMENSIONS	
0.000 ± .01	INCH	SHEET 3 OF 4	SCALE 1:1
0.000 ± .005			
<small>CONFIDENTIAL DISCLOSURE</small> This drawing is the property of POWEREX of the SCOTT FETTER COMPANY and is subject to return on demand. Its contents are confidential and must not be copied or submitted to outside parties for use or examination.		AUTHOR	ORIGINATION DATE
		ASoulek	10/31/2018
DRAWING NUMBER: LSHI5A5 DESCRIPTION: LAB SCROLL 15 HP HEXAPLEX WITH 200 GALLON AIR RECIEVER		 150 PRODUCTION DRIVE, HARRISON OH 45030 (888) 716-7279	
		REVISION	SIZE
		B	D

REVISION NOTES		
DESCRIPTION	ECN	PR/NOR
PRODUCTION RELEASE	PXECO169	N/A

LSHI5A5

LAB SCROLL 15 HP
HEXAPLEX WITH 200 GALLON
AIR RECIEVER
LAB DRYER
FLOW DIAGRAM



PIPE SIZE CHART		
PUMP COUNT	DRYER PLUMBING SIZE	OUTLET PIPE SIZE
2	1/2"	1/2"
3	1/2"	1"
4	1"	1-1/4"
6	1"	1-1/2"
8	1"	1-1/2"
9	1"	1-1/2"
12	1-1/2"	2"
15	1-1/2"	2"
18	1-1/2"	2"

SYMBOL LEGEND		DRAWINGS TO CONFORM TO CURRENT REVISION OF THE FOLLOWING ANSI STANDARDS: Y14.3 MULTI AND SECTIONAL VIEW DWGS Y14.5 DIMENSIONING AND TOLERANCING	
TOLERANCES NOT SPECIFIED	SOLID EDGE DRAWING	DO NOT SCALE DRAWING FOR DIMENSIONS	
0.XXX ± .01		SHEET 4 OF 4	SCALE 1:1
0.XXX ± .005	INCH		
± .5		APPROVALS ON FILE IN PLM	
<small>CONFIDENTIAL DISCLOSURE</small> This drawing is the property of POWEREX or the SCOTT FETTER COMPANY and is subject to return on demand. Its contents are confidential and must not be copied or submitted to outside parties for use or examination.		Auteur	ORIGINATION DATE
DRAWING NUMBER: 716632 MATERIAL: SEE PART DRAWINGS		ASoulek	10/31/2018
DESCRIPTION: LAB SCROLL 15 HP HEXAPLEX WITH 200 GALLON AIR RECIEVER			
DRAWING NUMBER: LSHI5A5		REVISION: B	SIZE: D

