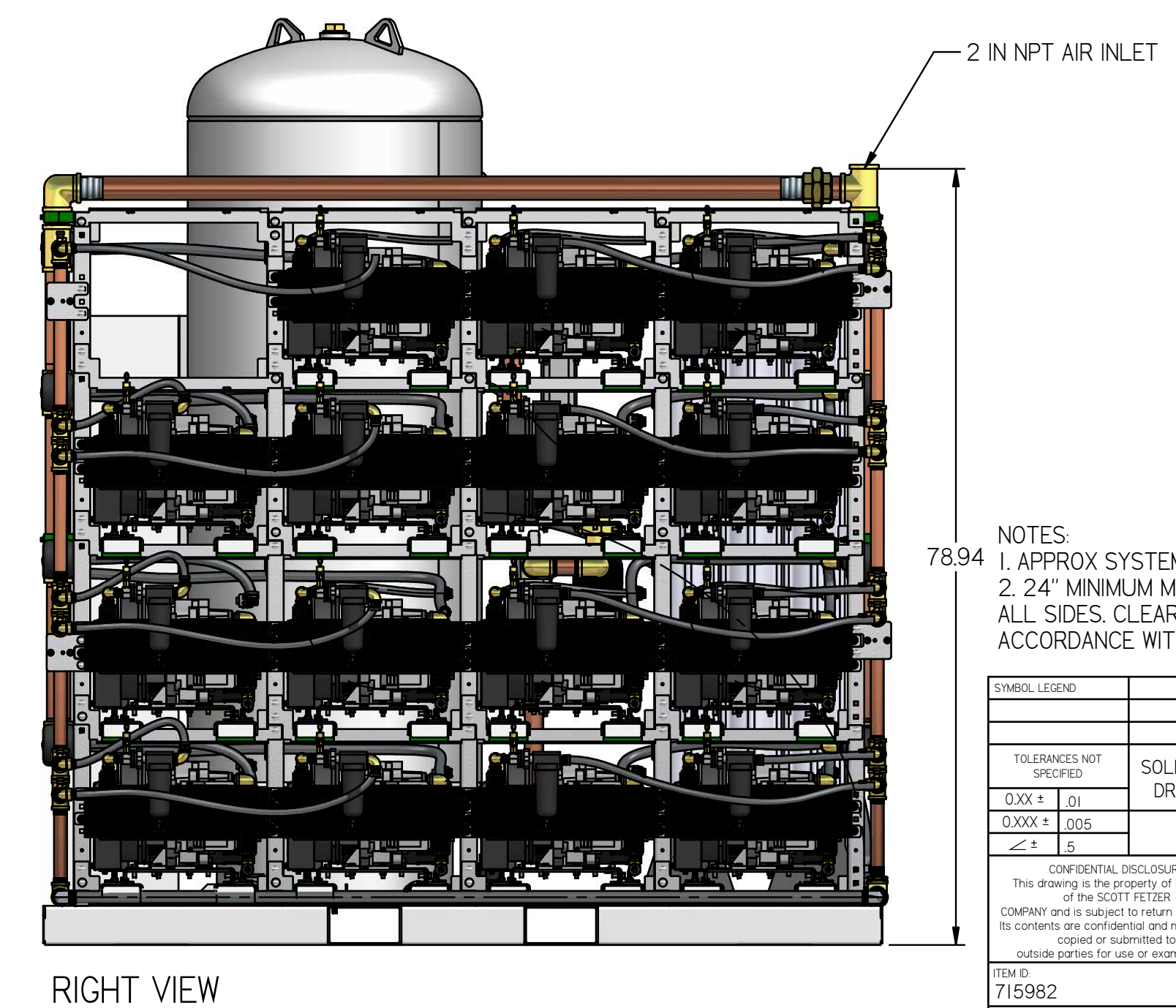
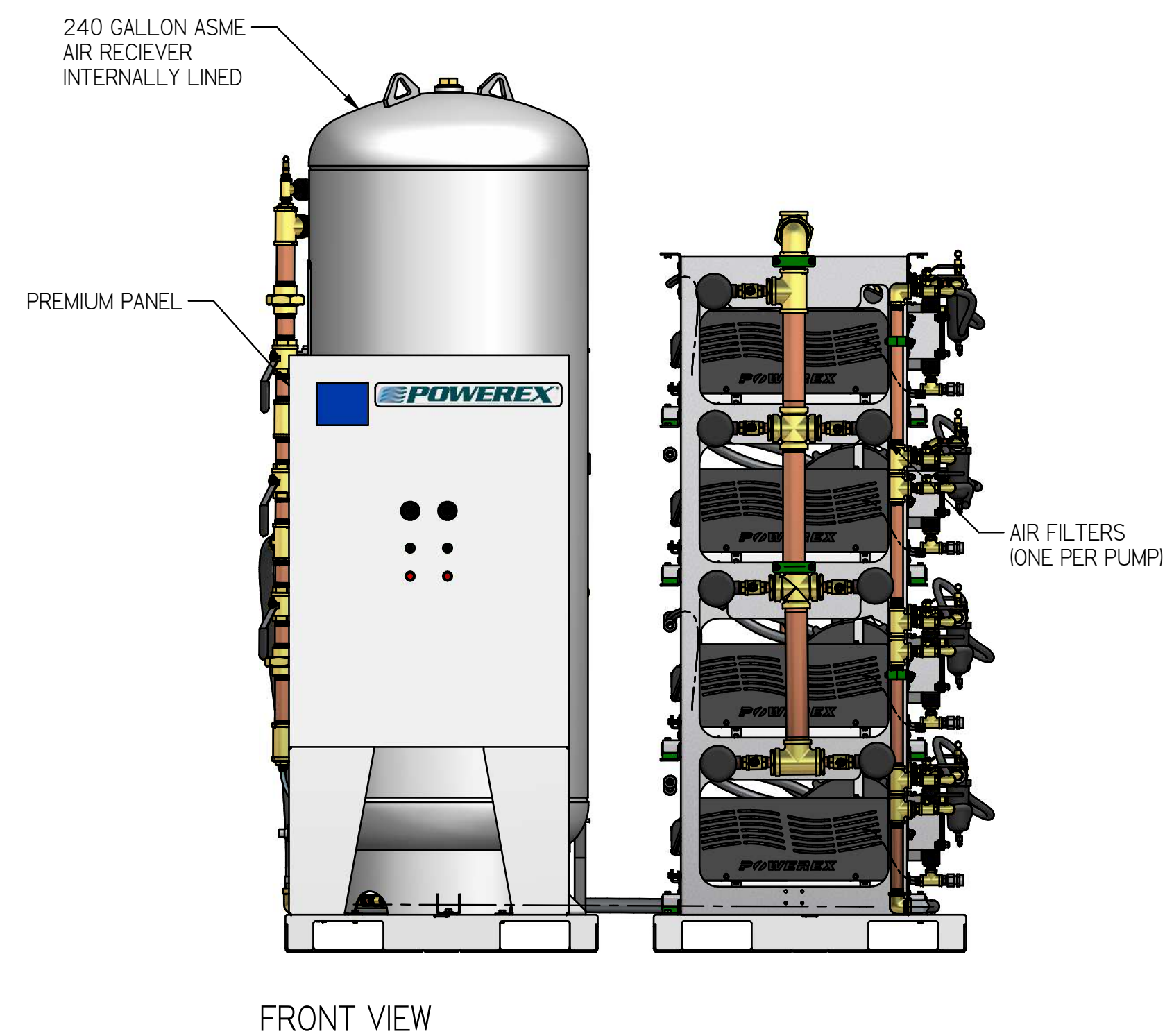
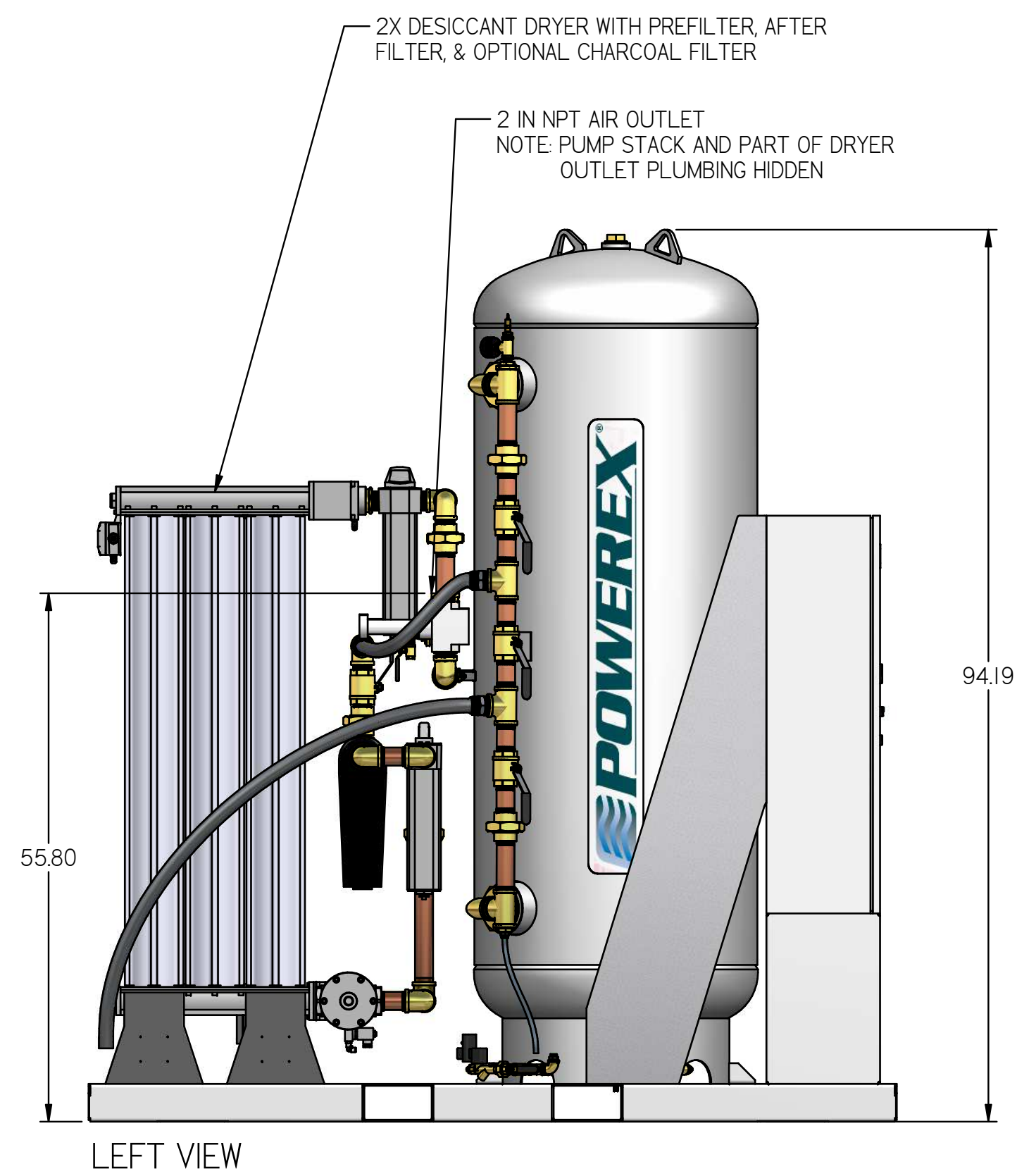
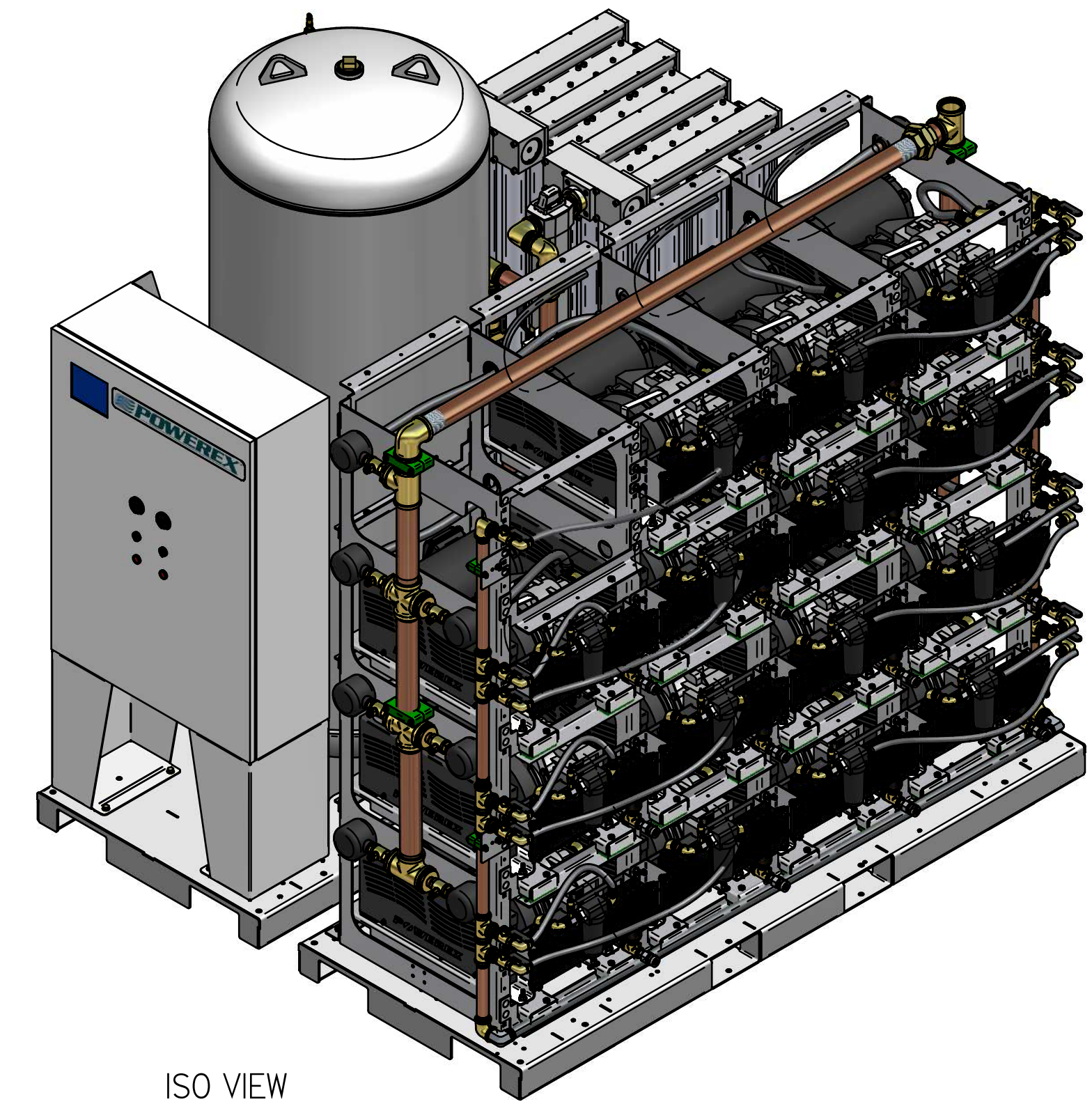
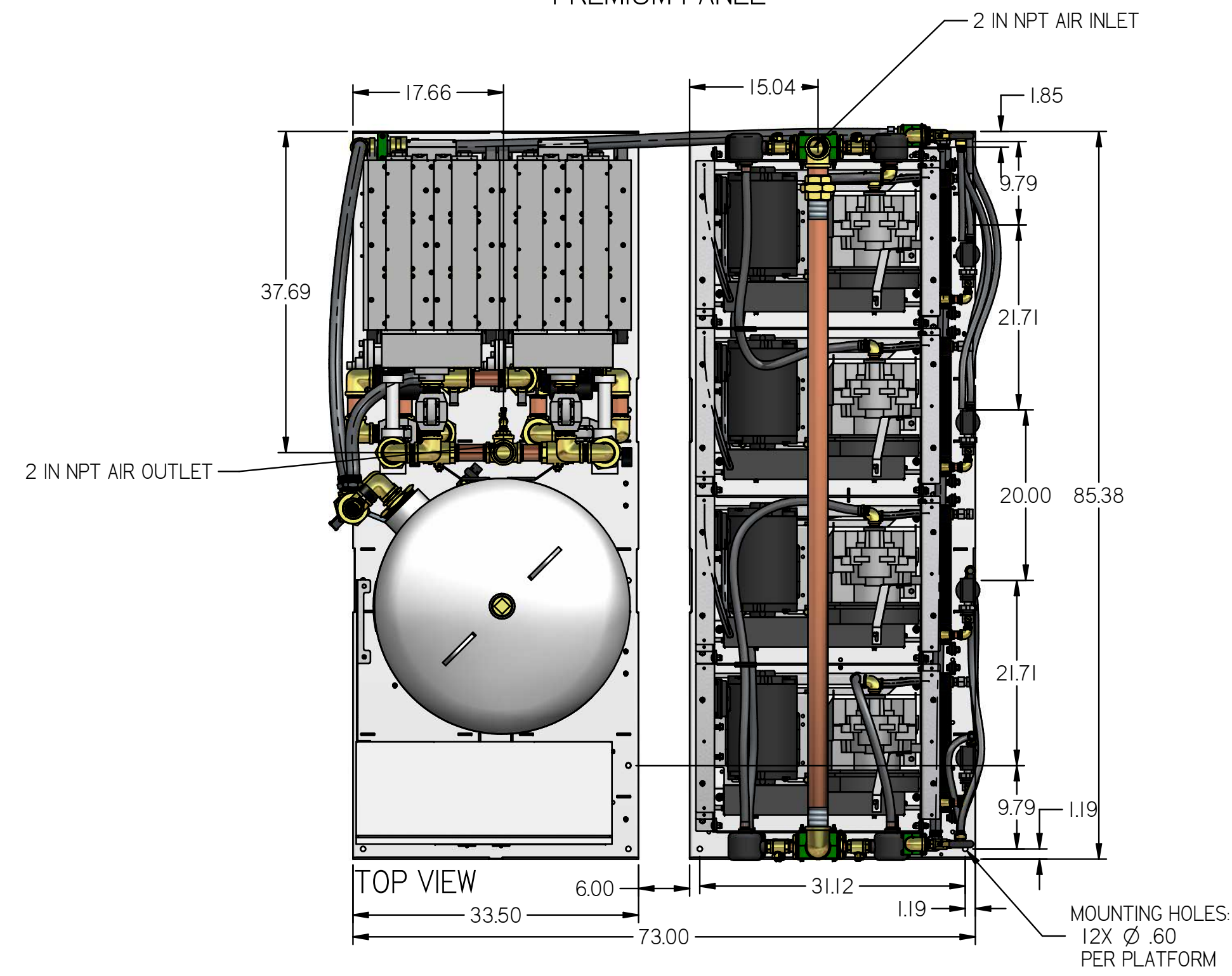


LSP15A6

LAB SCROLL 15 HP
PENTAPLEX WITH 240
GALLON AIR RECIEVER

PREMIUM PANEL

REVISION NOTES		
DESCRIPTION	ECN	PR/NOR
PRODUCTION RELEASE	PXECO169	N/A



- NOTES:
- APPROX SYSTEM WEIGHT: 6830 LB
 - 24" MINIMUM MAINTENANCE CLEARANCE RECOMMENDED ALL SIDES. CLEARANCE FOR CONTROL PANEL SHALL BE IN ACCORDANCE WITH OSHA/NEC REQUIREMENTS

SYMBOL LEGEND		DRAWINGS TO CONFORM TO CURRENT REVISION OF THE FOLLOWING ANSI STANDARDS:		
TOLERANCES NOT SPECIFIED	SOLID EDGE DRAWING	Y14.3 MULTI AND SECTIONAL VIEW DIMS	Y14.5 DIMENSIONING AND TOLERANCING	
0.00X ± .01	DO NOT SCALE DRAWING FOR DIMENSIONS	SHEET 1 OF 4		
0.00X ± .005				SCALE
<small>CONFIDENTIAL DISCLOSURE</small> This drawing is the property of POWEREX of the SCOTT FETTER COMPANY and is subject to return on demand. Its contents are confidential and must not be copied or submitted to outside parties for use or examination.		AUTHOR	ORIGINATION DATE	APPROVALS ON FILE IN PLM
FROM ID: 715982 MATERIAL: SEE PART DRAWINGS		ASoulek	11/5/2018	
DESCRIPTION: LAB SCROLL 15 HP PENTAPLEX WITH 240 GALLON AIR RECIEVER		DRAWING NUMBER: LSP15A6	REVISION: B	SIZE: D

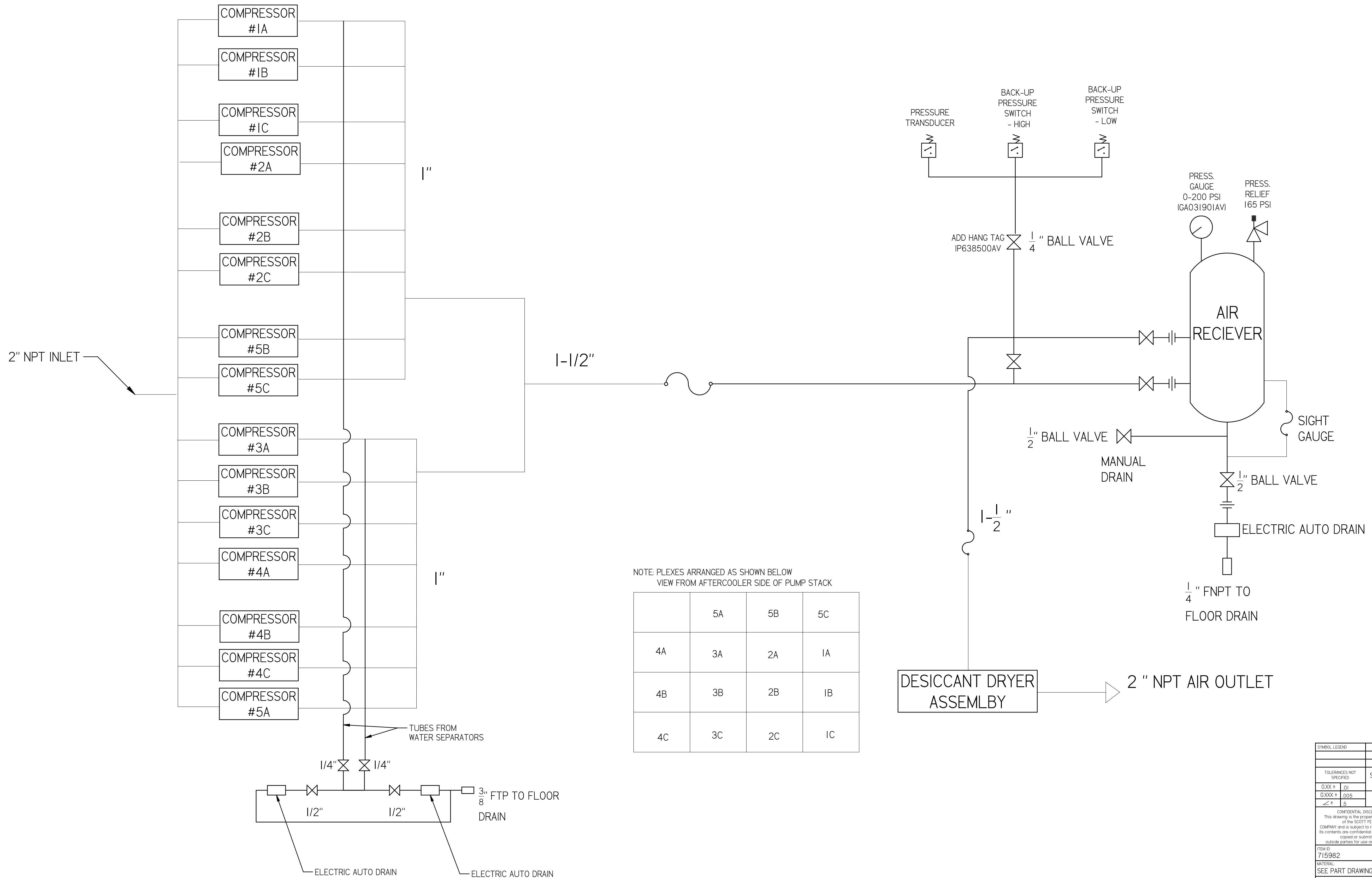


REVISION NOTES		
DESCRIPTION	ECN	PR/NOR
PRODUCTION RELEASE	PXECO169	N/A

LSP15A6

LAB SCROLL 15 HP
PENTAPLEX WITH 240
GALLON AIR RECIEVER

FLOW DIAGRAM



NOTE: PLEXES ARRANGED AS SHOWN BELOW
VIEW FROM AFTERCOOLER SIDE OF PUMP STACK

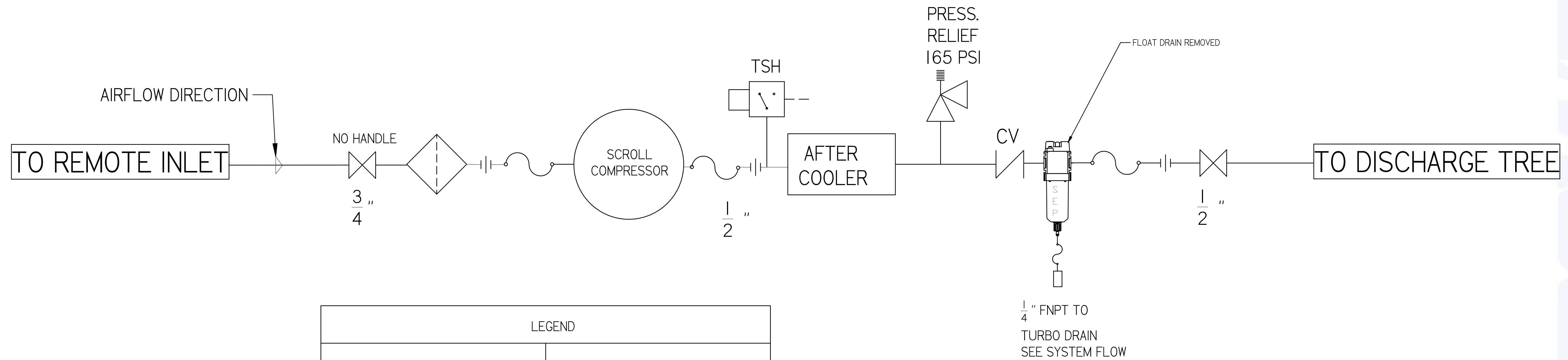
	5A	5B	5C
4A	3A	2A	1A
4B	3B	2B	1B
4C	3C	2C	1C

SYMBOL LEGEND		DRAWINGS TO CONFORM TO CURRENT REVISION OF THE FOLLOWING ANSI STANDARDS:	
TOLERANCES NOT SPECIFIED		1:4:3 MULTI AND SECTIONAL VIEW DIMS	
0.XXX ± .01		1:4:3 DIMENSIONING AND TOLERANCING	
0.XXX ± .005		SHEET 2 OF 4	
± .5		SCALE 1:1	
CONFIDENTIAL DISCLOSURE This drawing is the property of POWEREX of the SCOTT FETTER COMPANY and is subject to return on demand. Its contents are confidential and must not be copied or submitted to outside parties for use or examination.		APPROVALS ON FILE IN PLM	
715982		ASoulek 11/5/2018	
SEE PART DRAWINGS			
LAB SCROLL 15 HP PENTAPLEX WITH 240 GALLON AIR RECIEVER		DRAWING NUMBER LSP15A6	
		REVISION B	
		SIZE D	

REVISION NOTES		
DESCRIPTION	ECN	PR/NOR
PRODUCTION RELEASE	PXECO169	N/A

LSP15A6

LAB SCROLL 15 HP
PENTAPLEX WITH 240
GALLON AIR RECIEVER
LAB COMPRESSOR
FLOW DIAGRAM



LEGEND	
	RELIEF VALVE
	INTAKE FILTER
	AIR FILTER
	3 WAY VALVE
	CARBON FILTER
	BALL VALVE
	PRESSURE SWITCH
	REGULATOR
	SEPARATOR
	CHECK VALVE
	FLEX LINE
	TSH HIGH TEMP SWITCH

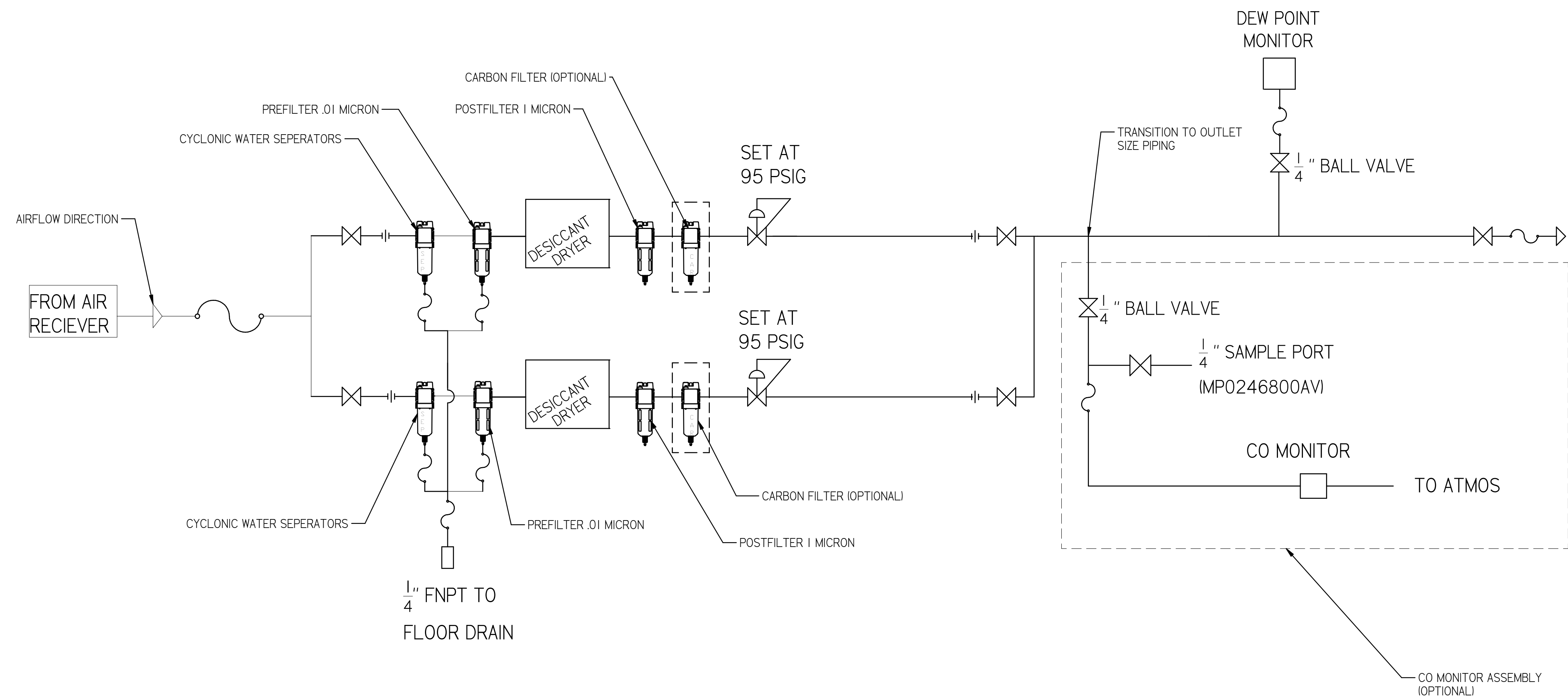
SYMBOL LEGEND		DRAWINGS TO CONFORM TO CURRENT REVISION OF THE FOLLOWING ANSI STANDARDS:	
		Y14.3 MULTI AND SECTIONAL VIEW DIMS	
		Y14.5 DIMENSIONING AND TOLERANCING	
TOLERANCES NOT SPECIFIED	SOLID EDGE DRAWING	DO NOT SCALE DRAWING FOR DIMENSIONS	
0.001 ± .001			
0.005 ± .005			
0.010 ± .010			
	INCH	SHEET 3 OF 4	SCALE 1:1
<small>CONFIDENTIAL DISCLOSURE</small> This drawing is the property of POWEREX of the SCOTT FETTER COMPANY and is subject to return on demand. Its contents are confidential and must not be copied or submitted to outside parties for use or examination.		AUTHOR	APPROVALS ON FILE IN PLM
DRAWER: 715982 MATERIAL: SEE PART DRAWINGS		ASoulek	11/5/2018
DESCRIPTION: LAB SCROLL 15 HP PENTAPLEX WITH 240 GALLON AIR RECIEVER		 150 PRODUCTION DRIVE, HARRISON OH 45030 (888) 768-7079	
DRAWING NUMBER	REVISION	SIZE	
LSP15A6	B	D	

REVISION NOTES		
DESCRIPTION	ECN	PR/NOR
PRODUCTION RELEASE	PXECO169	N/A

LSP15A6

LAB SCROLL 15 HP
PENTAPLEX WITH 240
GALLON AIR RECIEVER

LAB DRYER FLOW DIAGRAM



PIPE SIZE CHART		
PUMP COUNT	DRYER PLUMBING SIZE	OUTLET PIPE SIZE
2	1/2"	1/2"
3	1/2"	1"
4	1"	1-1/4"
6	1"	1-1/2"
8	1"	1-1/2"
9	1"	1-1/2"
12	1-1/2"	2"
15	1-1/2"	2"
18	1-1/2"	2"

SYMBOL LEGEND		DRAWINGS TO CONFORM TO CURRENT REVISION OF THE FOLLOWING ANSI STANDARDS: #14.3 MULTI AND SECTIONAL VIEW DIMS #14.5 DIMENSIONING AND TOLERANCING	
TOLERANCES NOT SPECIFIED	SOLID EDGE DRAWING	DO NOT SCALE DRAWING FOR DIMENSIONS	
0.XXX ± .01 0.XXX ± .005 ± .5		INCH	SHEET 4 OF 4
CONFIDENTIAL DISCLOSURE This drawing is the property of POWEREX of the SCOTT FETTER COMPANY and is subject to return on demand. Its contents are confidential and must not be copied or submitted to outside parties for use or examination.		AUTHOR	ORIGINATION DATE
ITEM NO: 715982		ASoulek	11/5/2018
MATERIAL: SEE PART DRAWINGS		APPROVALS ON FILE IN PLM	
DESCRIPTION: LAB SCROLL 15 HP PENTAPLEX WITH 240 GALLON AIR RECIEVER		DRAWING NUMBER: LSP15A6	REVISION: B
		SIZE: D	

