

REV	ZONE	REVISION	DATE	ECN	NAME	CHKD
B-1	ALL	RELEASE TO PRODUCTION	2/23/15	PXEC0057	JBE	AEK
C-1	ALL	ADDED PRESS GAUGE, NO-LOSS DRAIN, TL DIM, CORR PBM BORDER NAME, LAG ALARM NOTE, CORR OUTLET NOTE & PANEL NOTE SPELLING, CORR DRAIN SCHEMATIC ON FLOW	10/27/15	PXEC0093	GES	KMD
D-1	2 ALL	CORRECTED SEPARATOR DRAIN LINES TO 1/4"	01/04/16	PXEC0167	MJD	GES
	2 ALL	ADDED NOTE TO REMOVE SEPARATOR FLOAT				
	1 ALL	CORRECTED VIEW POSITIONING				
	1 ALL	ADDED OUTLINE FOR RECOMMENDED CLEARANCES				

MINIMUM RECOMMENDED ELECTRICAL PANEL CLEARANCE PER OSHA/NEC REQUIREMENTS

MINIMUM RECOMMENDED MAINTENANCE CLEARANCE

2X DESICCANT DRYER W/ PRE FILTER, AFTER FILTER & DEW POINT MONITOR. CHARCOAL FILTER & CARBON MONOXIDE MONITOR OPTIONAL.

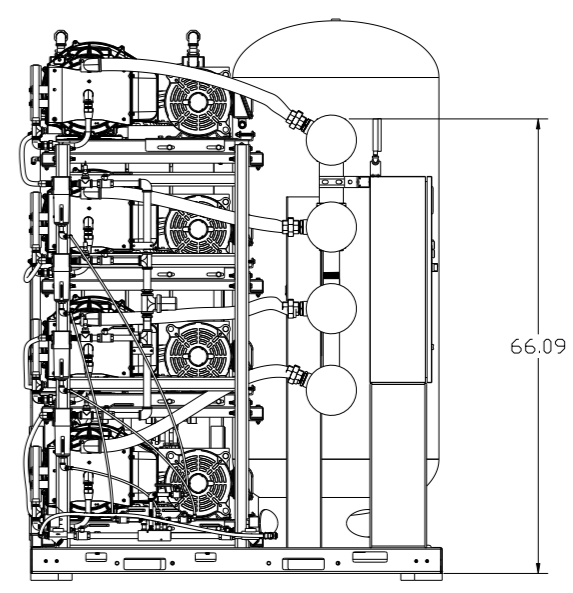
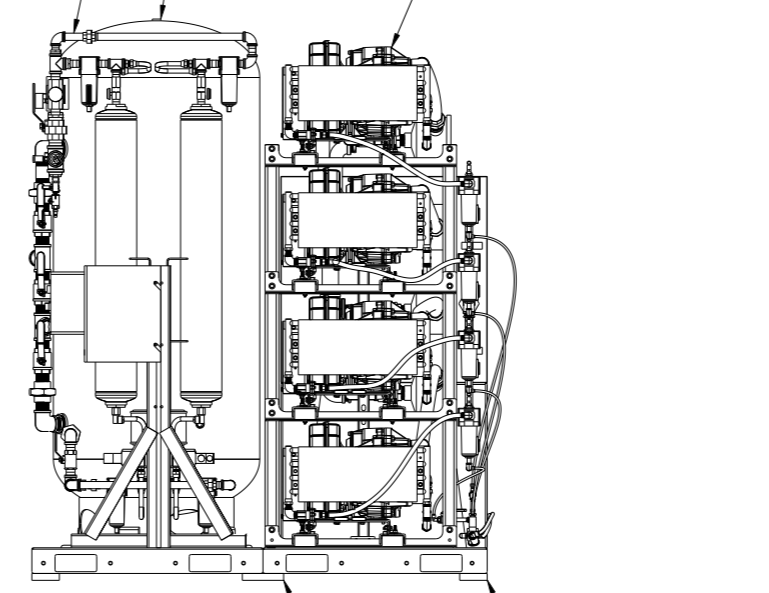
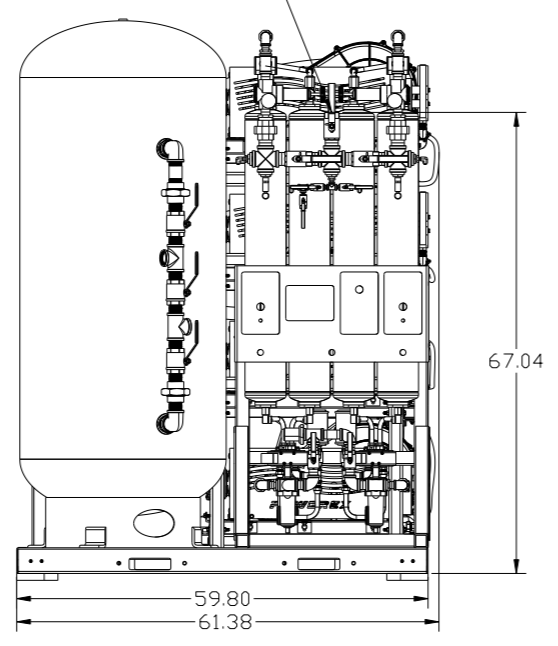
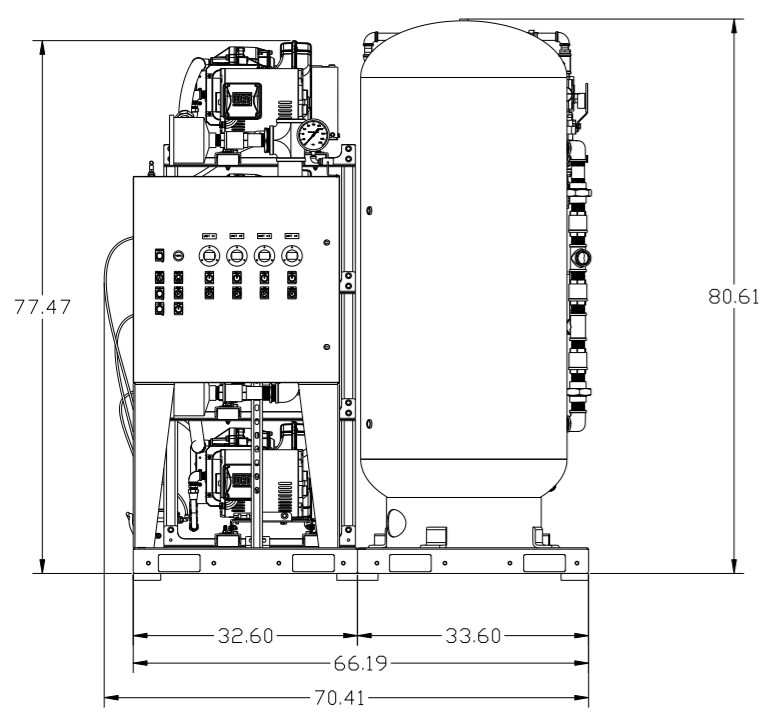
200 GALLON ASME AIR RECEIVER INTERNALLY LINED

4X 7.5HP OILLESS SCROLL AIR END

ISOLATION PADS 4" X 4" X 1"(QTY.4)
ISOLATION PADS 6" X 6" X 1"(QTY.2)

NOTE: SYSTEM DESIGNED IN COMPLIANCE WITH US NFPA'99, LATEST EDITION.

SYMBOL LEGEND ⊖ = MINUS DRAFT ⊕ = PLUS DRAFT TOLERANCES NOT SPECIFIED .XX ± .XXX ± <DEG> ±	⊕ = ADDITIONAL CONTROL REQ'D HRC = BRINELL HARDNESS	Drawings to conform to the current revision of the following ANSI standards: Y14.3 Multi and sectional view dsgs. Y14.5M Dimensioning and tolerancing
AUTOCAD REL2008 LT INCH	DO NOT SCALE DRAWING FOR DIMENSIONS Sheet 1 of 2 SCALE 1:14	
CONFIDENTIAL DISCLOSURE This drawing is the property of POWEREX, INC. of the SCOTT FELTZER COMPANY and subject to return on demand. Its contents are confidential and must not be copied or submitted to outside parties for use or examination.		
MATERIAL N/A	DRAWN BY JBE	CHECKED BY DMS
PART NAME 7.5HP 200 GAL BASEMOUNT BASIC LAB QUAD SCROLL	APPROVED BY ENGINEERING JA	MFG/MKTG CT
DATE 2/23/15	DATE 2/23/15	DATE 2/23/15
POWEREX 150 PRODUCTION DRIVE, HARRISON, OHIO 45030 Ph 888-769-7979 FAX (513) 367-3125	DWG NO LSQ0755	SIZE D

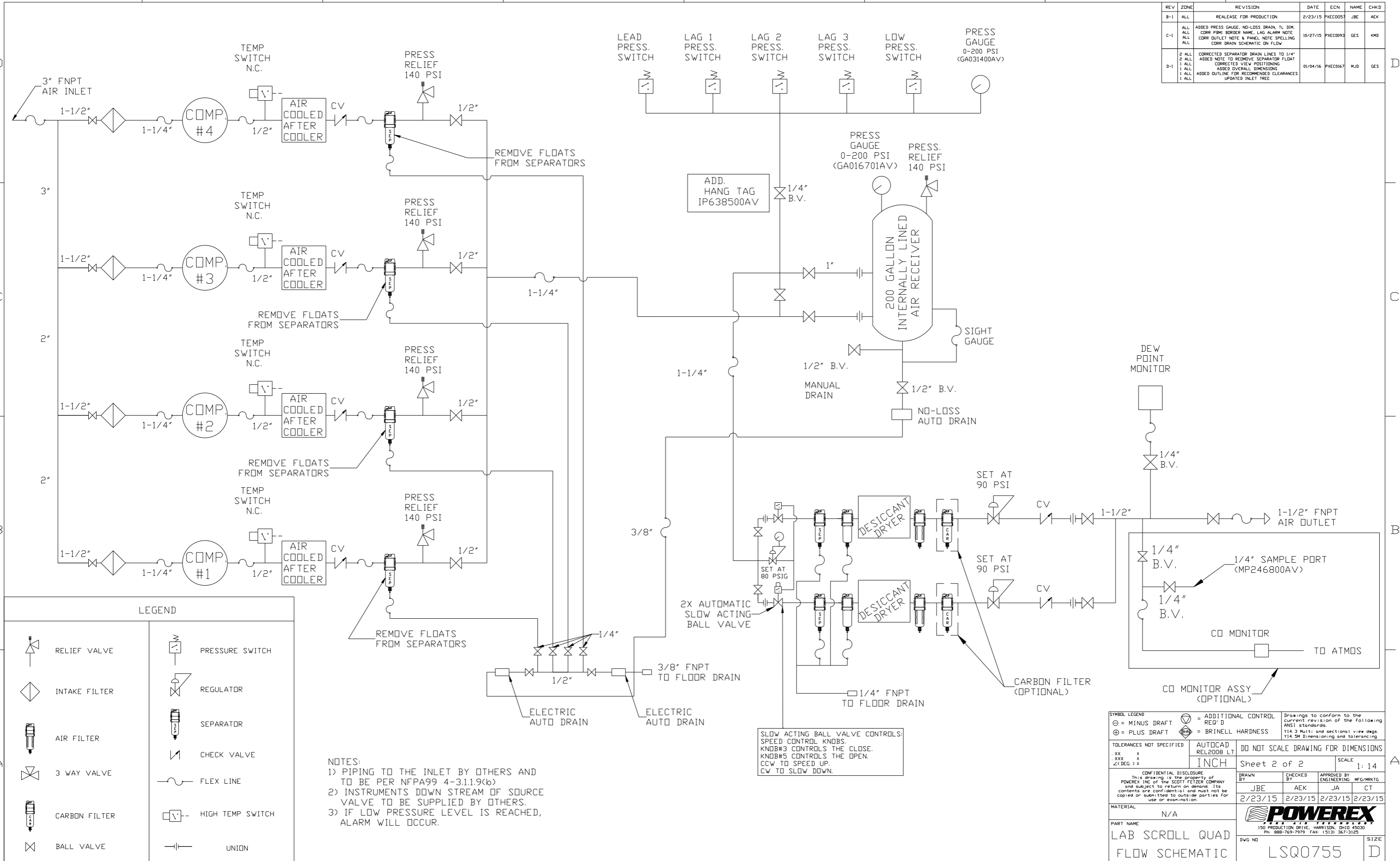


8 7 6 5 4 3 2 1

8 7 6 5 4 3 2 1

LSQ0755

REV	ZONE	REVISION	DATE	ECN	NAME	CHKD
B-1	ALL	RELEASE FOR PRODUCTION	2/23/15	PXEC0057	JBE	AEK
C-1	ALL	ADDED PRESS GAUGE, NO-LOSS DRAIN, TL DIM, CORR PBM BORDER NAME, LAG ALARM NOTE, CORR OUTLET NOTE & PANEL NOTE SPELLING, CORR DRAIN SCHEMATIC ON FLOW	10/27/15	PXEC0093	GES	KMD
D-1	2 ALL	CORRECTED SEPARATOR DRAIN LINES TO 1/4"	01/04/16	PXEC0167	MJD	GES
	2 ALL	ADDED NOTE TO REMOVE SEPARATOR FLOAT				
	1 ALL	CORRECTED VIEW POSITIONING				
	1 ALL	ADDED OUTLINE FOR RECOMMENDED CLEARANCES				
	1 ALL	UPDATED INLET TREE				



LEGEND

	RELIEF VALVE		PRESSURE SWITCH
	INTAKE FILTER		REGULATOR
	AIR FILTER		SEPARATOR
	3 WAY VALVE		CHECK VALVE
	CARBON FILTER		FLEX LINE
	BALL VALVE		HIGH TEMP SWITCH
			UNION

NOTES:
 1) PIPING TO THE INLET BY OTHERS AND TO BE PER NFPA99 4-3.1.1.9(b)
 2) INSTRUMENTS DOWN STREAM OF SOURCE VALVE TO BE SUPPLIED BY OTHERS.
 3) IF LOW PRESSURE LEVEL IS REACHED, ALARM WILL OCCUR.

SLOW ACTING BALL VALVE CONTROLS: SPEED CONTROL KNOBS. KNOB#3 CONTROLS THE CLOSE. KNOB#5 CONTROLS THE OPEN. CCW TO SPEED UP. CW TO SLOW DOWN.

SYMBOL LEGEND		= ADDITIONAL CONTROL REQ'D		Drawings to conform to the current revision of the following ANSI standards	
⊖ = MINUS DRAFT		⊕ = PLUS DRAFT		Y14.3 Multi and sectional view dsgs	
Y14.9 Dimensioning and tolerancing		AUTOCAD REL2008 LT		DO NOT SCALE DRAWING FOR DIMENSIONS	
TOLERANCES NOT SPECIFIED		INCH		Sheet 2 of 2	
SCALE 1:14		CONFIDENTIAL DISCLOSURE		APPROVED BY	
This drawing is the property of POWEREX INC. of the SCOTT FETZER COMPANY and subject to return on demand. Its contents are confidential and must not be copied or submitted to outside parties for use or examination.		DRAWN BY		MFG/MRKTG	
		JBE		CT	
		2/23/15		2/23/15	
MATERIAL		N/A		POWEREX	
PART NAME		LAB SCROLL QUAD		150 PRODUCTION DRIVE, HARRISON, OHIO 45030	
DWG NO		LSQ0755		Ph: 888-769-7979 FAX: (513) 367-3125	
SIZE		D			

REV	ZONE	REVISION	DATE	ECN	NAME	CHKD
B-1	ALL	RELEASE TO PRODUCTION	2/23/15	PXEC0057	JBE	AEK
C-1	ALL	ADDED PRESS GAUGE, NO-LOSS DRAIN, TL DIM, CORR PBM BORDER NAME, LAG ALARM NOTE, CORR OUTLET NOTE & PANEL NOTE SPELLING, CORR DRAIN SCHEMATIC ON FLOW	10/27/15	PXEC0093	GES	KMD
D-1	2 ALL	CORRECTED SEPARATOR DRAIN LINES TO 1/4"	01/04/16	PXEC0167	MJD	GES
	2 ALL	ADDED NOTE TO REMOVE SEPARATOR FLOAT				
	1 ALL	CORRECTED VIEW POSITIONING				
	1 ALL	ADDED OUTLINE FOR RECOMMENDED CLEARANCES				
	1 ALL	ADDED OUTLINE FOR RECOMMENDED CLEARANCES				

MINIMUM RECOMMENDED ELECTRICAL PANEL CLEARANCE PER OSHA/NEC REQUIREMENTS

MINIMUM RECOMMENDED MAINTENANCE CLEARANCE

2X DESICCANT DRYER W/ PRE FILTER & AFTER FILTER CHARCOAL FILTER & CARBON MONOXIDE MONITOR OPTIONAL.

200 GALLON ASME AIR RECEIVER INTERNALLY LINED

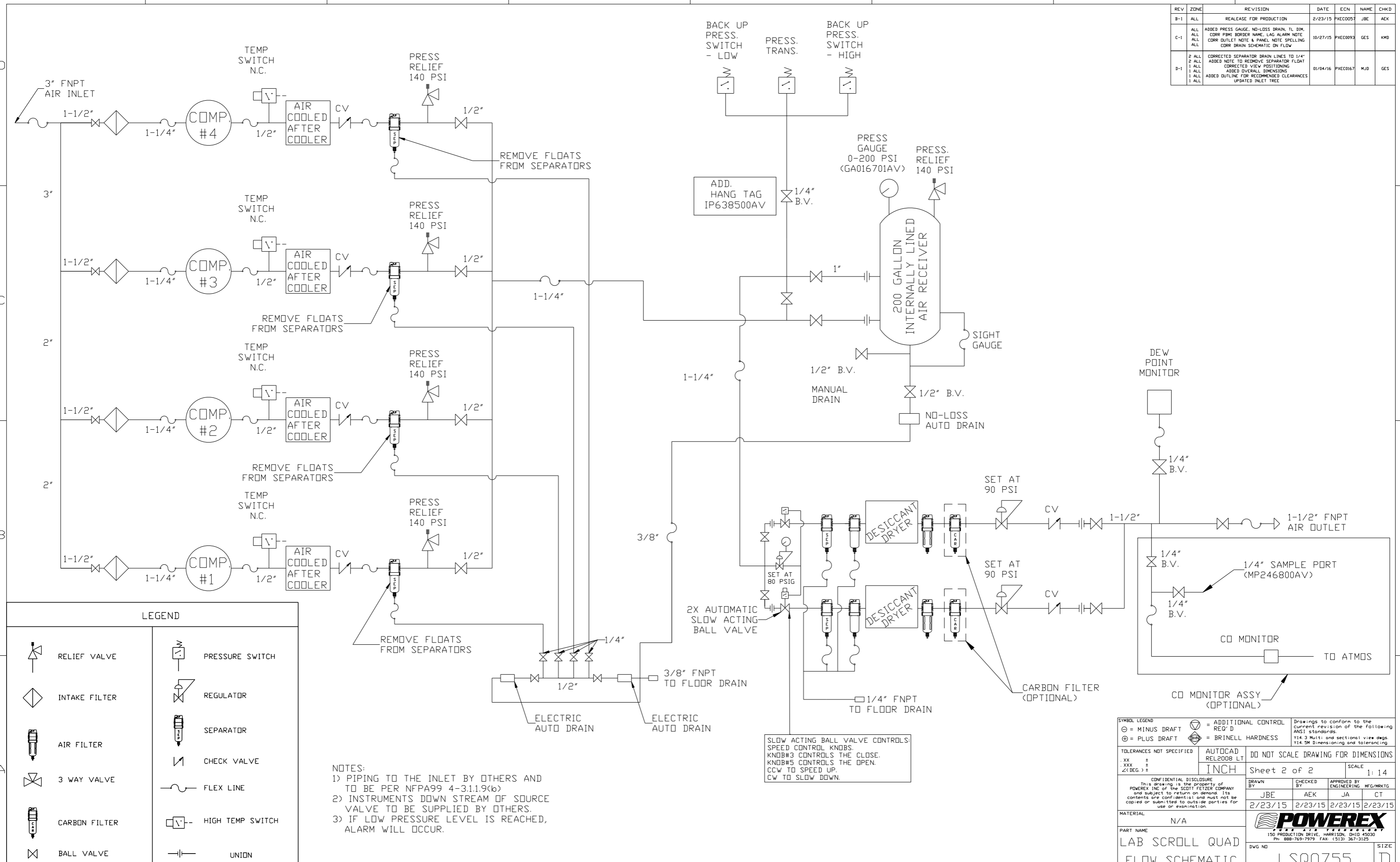
4X 7.5HP OILLESS SCROLL AIR END

ISOLATION PADS 4" X 4" X 1"(QTY.4)
ISOLATION PADS 6" X 6" X 1"(QTY.2)

NOTE: SYSTEM DESIGNED IN COMPLIANCE WITH US NFPA'99, LATEST EDITION.

SYMBOL LEGEND ⊖ = MINUS DRAFT ⊕ = PLUS DRAFT TOLERANCES NOT SPECIFIED .XX ± .XXX ± <DEG> ±	= ADDITIONAL CONTROL REQ'D = BRINELL HARDNESS	Drawings to conform to the current revision of the following ANSI standards: Y14.3 Multi and sectional view dgs. Y14.5M Dimensioning and tolerancing
AUTOCAD REL2008 LT INCH	DO NOT SCALE DRAWING FOR DIMENSIONS Sheet 1 of 2 SCALE 1:14	
CONFIDENTIAL DISCLOSURE This drawing is the property of POWEREX, INC. of the SCOTT FELTZER COMPANY and subject to return on demand. Its contents are confidential and must not be copied or submitted to outside parties for use or examination.		
DRAWN BY JBE	CHECKED BY DMS	APPROVED BY ENGINEERING MFG/MKTG JA CT
MATERIAL N/A	PART NAME 7.5HP 200 GAL BASEMOUNT PXMI LAB QUAD SCROLL	DATE 2/23/15 2/23/15 2/23/15 2/23/15
POWEREX 150 PRODUCTION DRIVE, HARRISON, OHIO 45030 Ph 888-769-7979 FAX (513) 367-3125		DWG NO LSQ0755 SIZE D

REV	ZONE	REVISION	DATE	ECN	NAME	CHKD
B-1	ALL	RELEASE FOR PRODUCTION	2/23/15	PXEC0057	JBE	AEK
C-1	ALL	ADDED PRESS GAUGE, NO-LOSS DRAIN, TL DIM, CORR PBM BORDER NAME, LAG ALARM NOTE, CORR OUTLET NOTE & PANEL NOTE SPELLING, CORR DRAIN SCHEMATIC DN FLOW	10/27/15	PXEC0093	GES	KMD
D-1	ALL	CORRECTED SEPARATOR DRAIN LINES TO 1/4"	01/04/16	PXEC0167	MJD	GES
	ALL	ADDED NOTE TO REMOVE SEPARATOR FLOAT				
	ALL	ADDED OVERALL DIMENSIONS				
	ALL	ADDED OUTLINE FOR RECOMMENDED CLEARANCES				
	ALL	UPDATED INLET TREE				



LEGEND

	RELIEF VALVE		PRESSURE SWITCH
	INTAKE FILTER		REGULATOR
	AIR FILTER		SEPARATOR
	3 WAY VALVE		CHECK VALVE
	CARBON FILTER		FLEX LINE
	BALL VALVE		HIGH TEMP SWITCH
			UNION

NOTES:
 1) PIPING TO THE INLET BY OTHERS AND TO BE PER NFPA99 4-3.1.1.9(b)
 2) INSTRUMENTS DOWN STREAM OF SOURCE VALVE TO BE SUPPLIED BY OTHERS.
 3) IF LOW PRESSURE LEVEL IS REACHED, ALARM WILL OCCUR.

SLOW ACTING BALL VALVE CONTROLS:
 SPEED CONTROL KNOBS.
 KNOB#3 CONTROLS THE CLOSE.
 KNOB#5 CONTROLS THE OPEN.
 CCW TO SPEED UP.
 CW TO SLOW DOWN.

SYMBOL LEGEND		DRAWINGS TO CONFORM TO THE CURRENT REVISION OF THE FOLLOWING ANSI STANDARDS: Y14.3 Multi and sectional view dsgs Y14.5M Dimensioning and tolerancing	
⊖ = MINUS DRAFT	⊕ = PLUS DRAFT	⊕ = ADDITIONAL CONTROL REQ'D	⊕ = BRINELL HARDNESS
TOLERANCES NOT SPECIFIED	AUTOCAD REL2008 LT	DO NOT SCALE DRAWING FOR DIMENSIONS	
	INCH	Sheet 2 of 2	SCALE 1:14
CONFIDENTIAL DISCLOSURE This drawing is the property of POWEREX INC. of the SCOTT FETZER COMPANY and subject to return on demand. Its contents are confidential and must not be copied or submitted to outside parties for use or examination.		DRAWN BY JBE	CHECKED BY AEK
PART NAME LAB SCROLL QUAD FLOW SCHEMATIC		APPROVED BY JBE	DATE 2/23/15
MATERIAL N/A		APPROVED BY JBE	DATE 2/23/15
DWG NO LSQ0755		APPROVED BY JBE	DATE 2/23/15
SIZE D		POWEREX 150 PRODUCTION DRIVE, HARRISON, OHIO 45030 Ph: 888-769-7979 Fax: (513) 367-3129	

8 7 6 5 4 3 2 1

8 7 6 5 4 3 2 1

LSQ0755.dwg