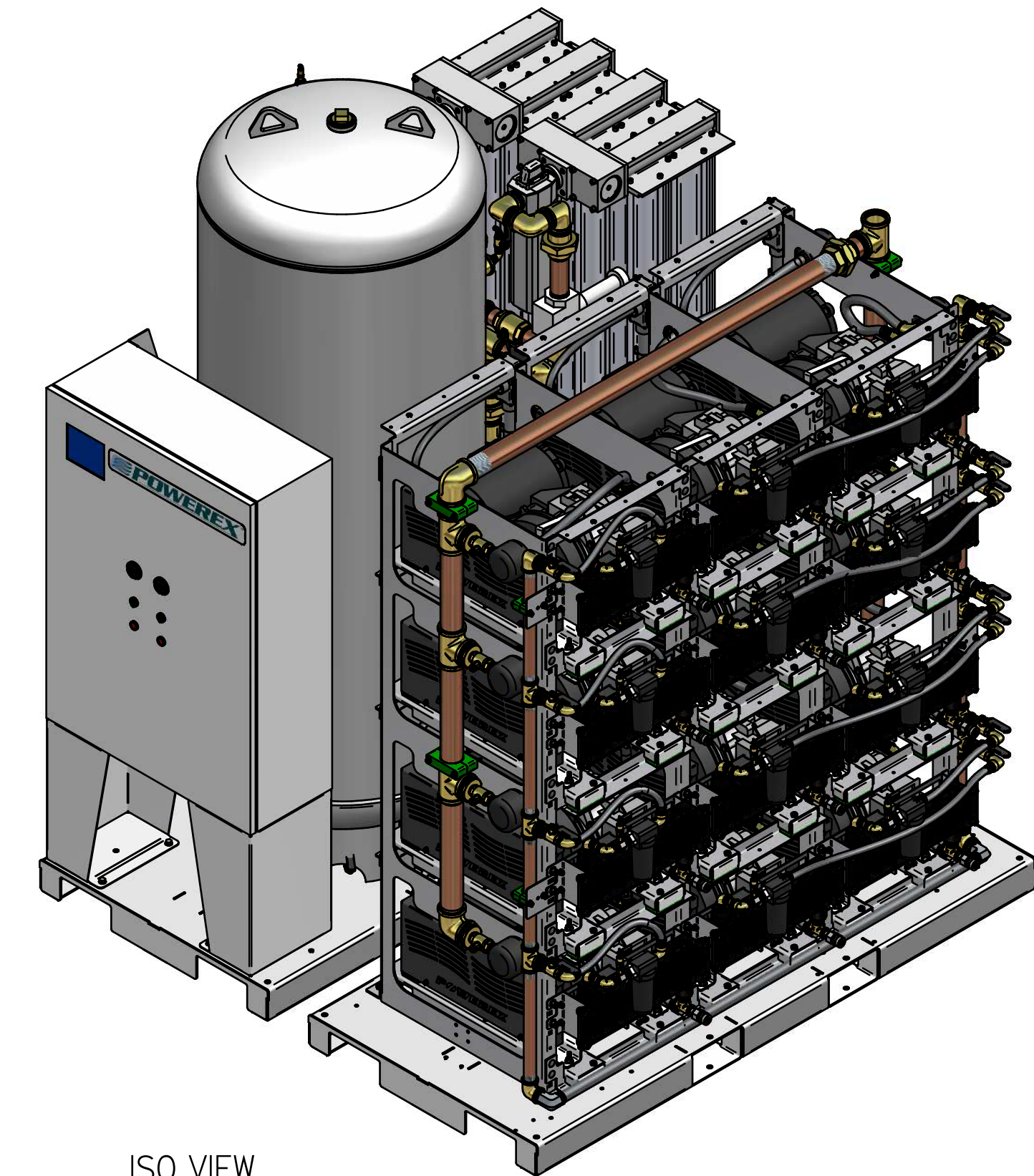
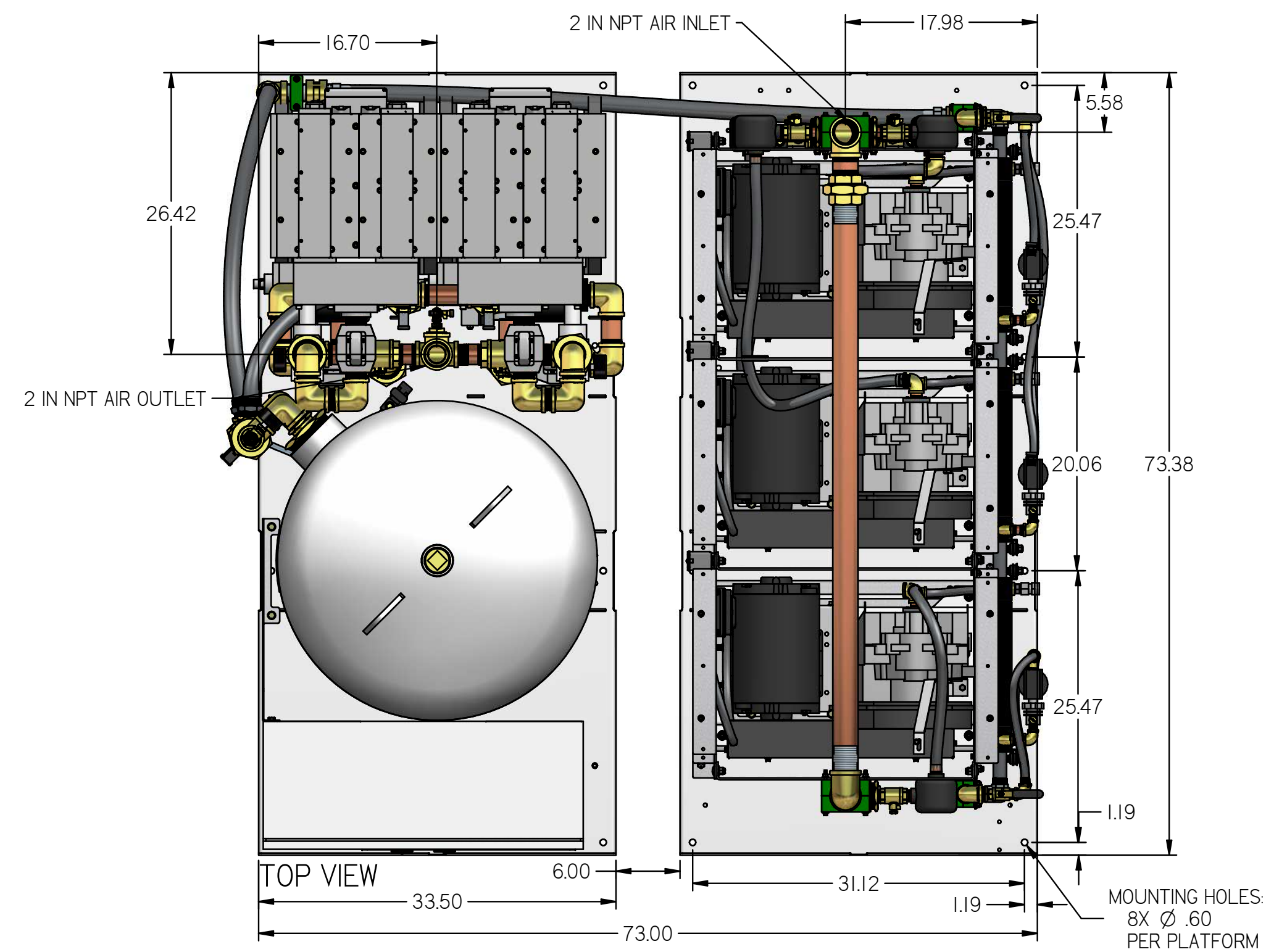


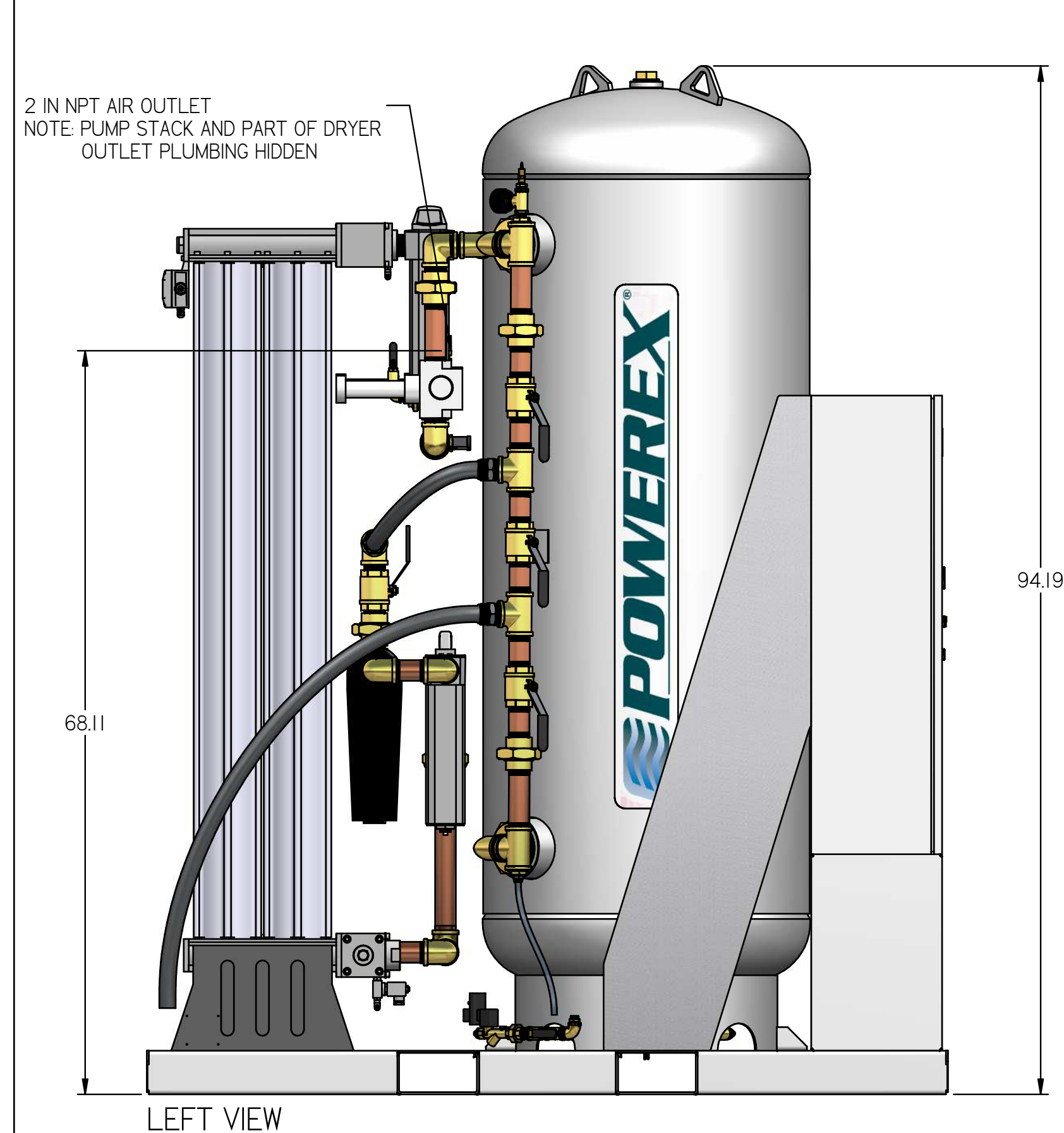
REVISION NOTES		
DESCRIPTION	ECN	PR/NOR
PRODUCTION RELEASE	PXECO169	N/A

LSQI5A6

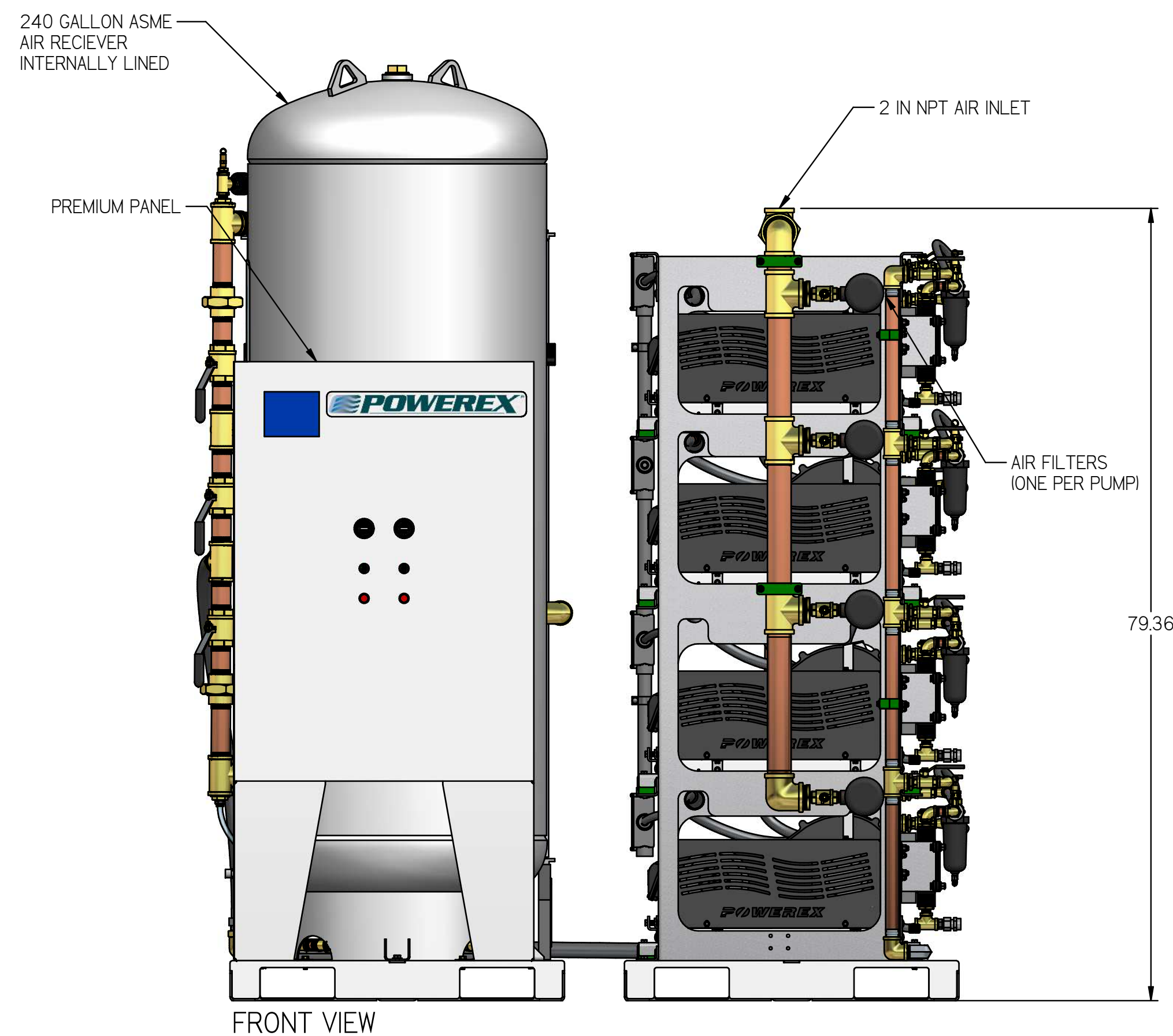
LAB OPEN SCROLL 15HP QUADPLEX WITH 240 GALLON TANK



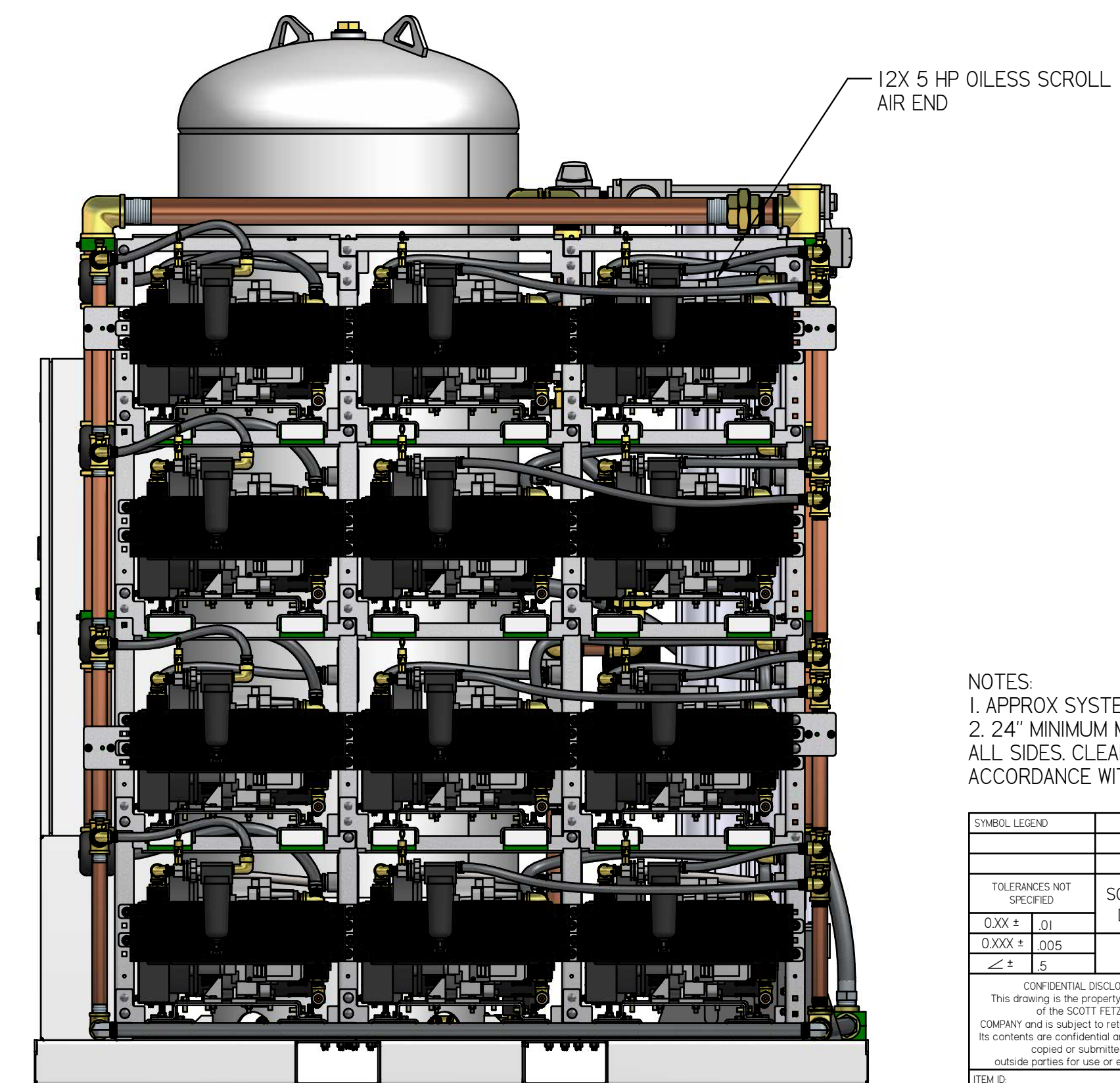
ISO VIEW



LEFT VIEW



FRONT VIEW



RIGHT VIEW

- NOTES:
 1. APPROX SYSTEM WEIGHT: 5775 LB
 2. 24" MINIMUM MAINTENANCE CLEARANCE RECOMMENDED ALL SIDES. CLEARANCE FOR CONTROL PANEL SHALL BE IN ACCORDANCE WITH OSHA/NEC REQUIREMENTS

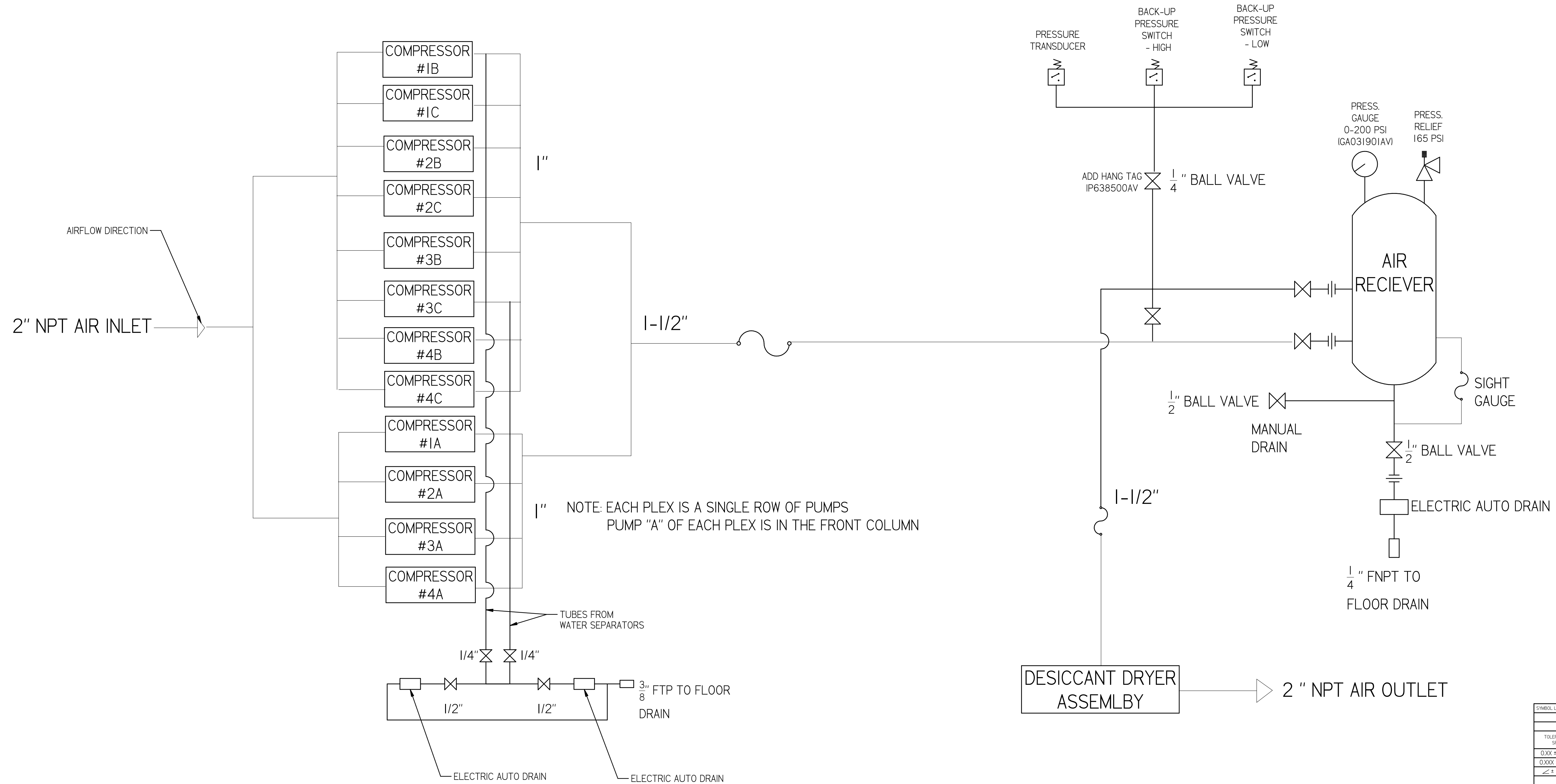
SYMBOL LEGEND		DRAWINGS TO CONFORM TO CURRENT REVISION OF THE FOLLOWING ANSI STANDARDS:		
TOLERANCES NOT SPECIFIED	SOLID EDGE DRAWING	Y14.3 MULTI AND SECTIONAL VIEW DIMS	Y14.5 DIMENSIONING AND TOLERANCING	
0.00X ± .01	DRAWING	DO NOT SCALE DRAWING FOR DIMENSIONS		
0.000X ± .005		SHEET 1 OF 4	SCALE 1:1 (1:1)	
CONFIDENTIAL DISCLOSURE: This drawing is the property of POWEREX of the SCOTT FETTER COMPANY and is subject to return on demand. Its contents are confidential and must not be copied or submitted to outside parties for use or examination.		AUTHOR	ORIGINATION DATE	APPROVALS ON FILE IN PLM
PART NUMBER: 716345		ASoulek	11/5/2018	
MATERIAL: SEE PART NOTES				
DESCRIPTION: LAB OPEN SCROLL 15HP QUADPLEX WITH 240 GALLON TANK		DRAWING NUMBER: LSQI5A6	REVISION: B	SIZE: D

REVISION NOTES		
DESCRIPTION	ECN	PR/NOR
PRODUCTION RELEASE	PXECO169	N/A

LSQI5A6

LAB OPEN SCROLL 15HP
QUADPLEX WITH 240
GALLON TANK

SYSTEM FLOW DIAGRAM



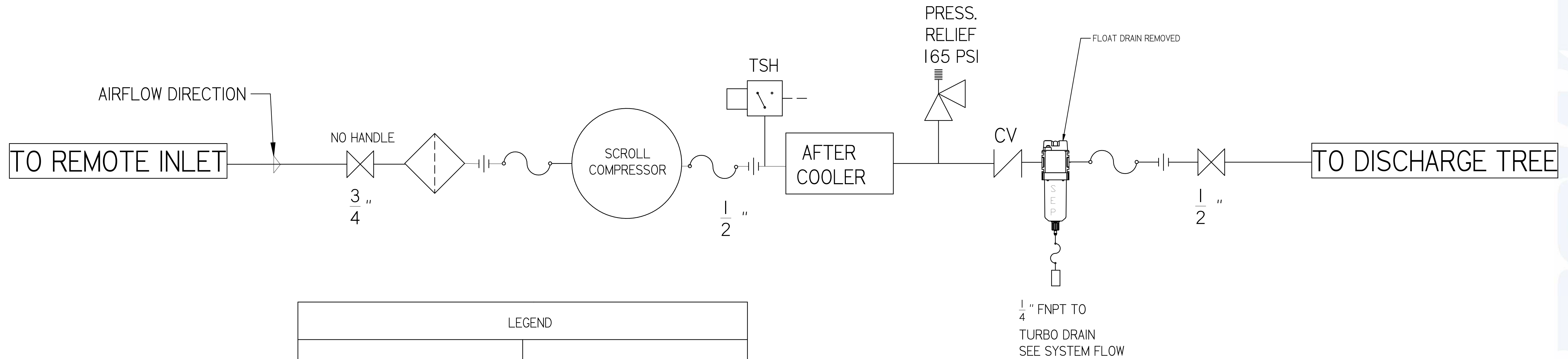
SYMBOL LEGEND		DRAWINGS TO CONFORM TO CURRENT REVISION OF THE FOLLOWING ANSI STANDARDS:	
TOLERANCES NOT SPECIFIED	SOLID EDGE DRAWING	Y14.3 MULTI AND SECTIONAL VIEW DIMS	
0.XXX ± .01	INCH	Y14.5 DIMENSIONING AND TOLERANCING	
0.XXX ± .005		SHEET 2 OF 4	SCALE 1:1
<small>CONFIDENTIAL DISCLOSURE</small> <small>This drawing is the property of POWEREX of the SCOTT FETTER COMPANY and is subject to return on demand. Its contents are confidential and must not be copied or submitted to outside parties for use or examination.</small>		AUTHOR	APPROVALS ON FILE IN PLM
<small>FROM:</small> 716345	<small>ORIGINATION DATE:</small> 11/5/2018		
<small>SEE PART NOTES</small>		<small>DRAWING NUMBER:</small> LSQI5A6	<small>REVISION:</small> B
<small>DESCRIPTION:</small> LAB OPEN SCROLL 15HP QUADPLEX WITH 240 GALLON TANK		<small>SIZE:</small> D	

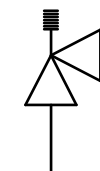
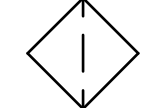
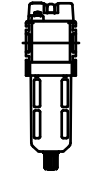
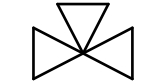
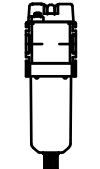

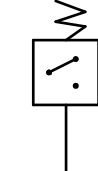
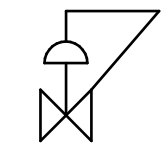
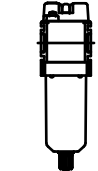


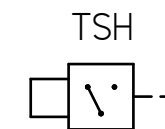
REVISION NOTES		
DESCRIPTION	ECN	PR/NOR
PRODUCTION RELEASE	PXECO169	N/A

LSQ15A6

LAB OPEN SCROLL 15HP
QUADPLEX WITH 240
GALLON TANK

LAB COMPRESSOR
FLOW DIAGRAM



LEGEND	
	RELIEF VALVE
	INTAKE FILTER
	AIR FILTER
	3 WAY VALVE
	CARBON FILTER
	BALL VALVE
	PRESSURE SWITCH
	REGULATOR
	SEPARATOR
	CHECK VALVE
	FLEX LINE
	TSH HIGH TEMP SWITCH

SYMBOL LEGEND		DRAWINGS TO CONFORM TO CURRENT REVISION OF THE FOLLOWING ANSI STANDARDS:	
		Y14.3 MULTI AND SECTIONAL VIEW DWGS	
		Y14.5 DIMENSIONING AND TOLERANCING	
TOLERANCES NOT SPECIFIED	SOLID EDGE DRAWING	DO NOT SCALE DRAWING FOR DIMENSIONS	
0.001 ± .001			
0.005 ± .005			
0.010 ± .010	INCH	SHEET 3 OF 4	SCALE 1:1
<small>CONFIDENTIAL DISCLOSURE</small> This drawing is the property of POWEREX of the SCOTT FETTER COMPANY and is subject to return on demand. Its contents are confidential and must not be copied or submitted to outside parties for use or examination.		AUTHOR	APPROVALS ON FILE IN PLM
TITLE: 716345 MATERIAL: SEE PART NOTES		ASoulek	11/5/2018
DRAWING NUMBER: LSQ15A6 DESCRIPTION: LAB OPEN SCROLL 15HP QUADPLEX WITH 240 GALLON TANK		REVISION: B	SIZE: D

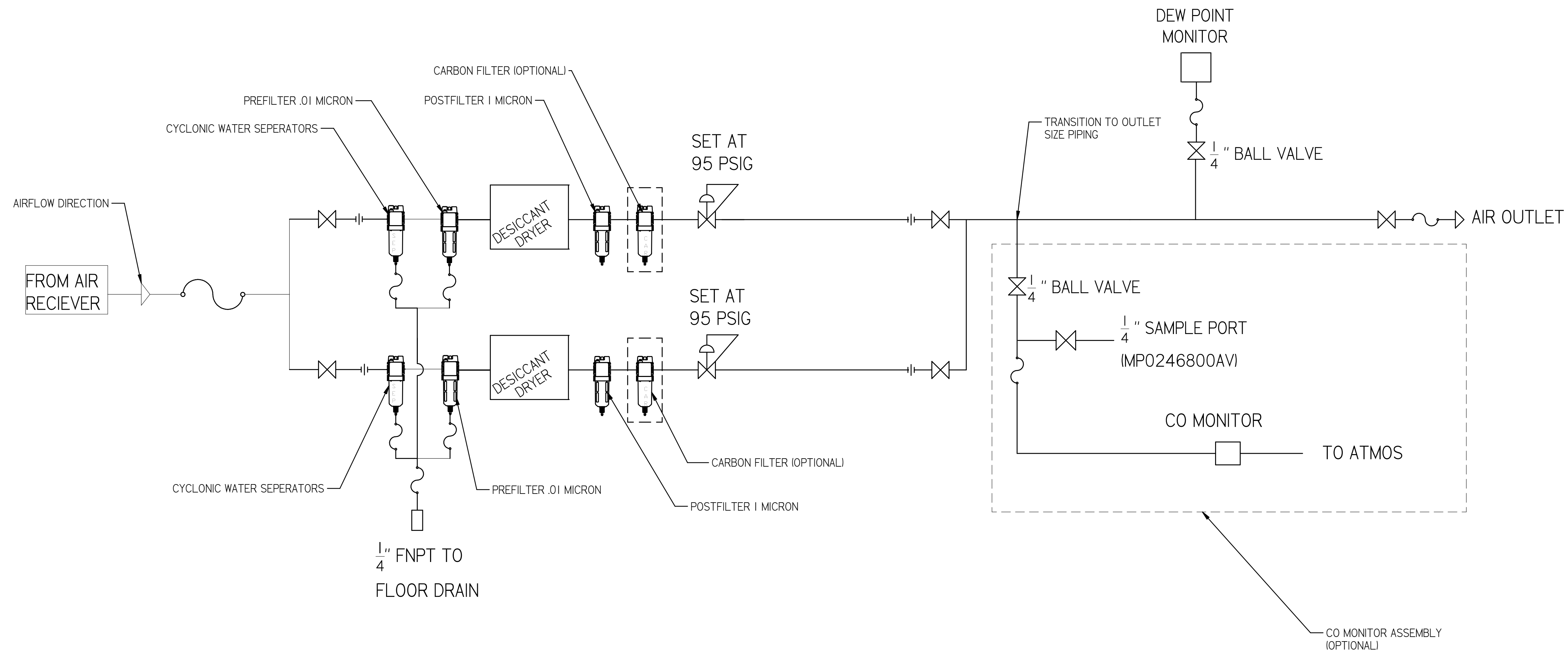


REVISION NOTES		
DESCRIPTION	ECN	PR/NOR
PRODUCTION RELEASE	PXECO169	N/A

LSQI5A6

LAB OPEN SCROLL 15HP QUADPLEX WITH 240 GALLON TANK

LAB DRYER FLOW DIAGRAM



PIPE SIZE CHART		
PUMP COUNT	DRYER PLUMBING SIZE	OUTLET PIPE SIZE
2	1/2"	1/2"
3	1/2"	1"
4	1"	1-1/4"
6	1"	1-1/2"
8	1"	1-1/2"
9	1"	1-1/2"
12	1-1/2"	2"
15	1-1/2"	2"
18	1-1/2"	2"

SYMBOL LEGEND		DRAWINGS TO CONFORM TO CURRENT REVISION OF THE FOLLOWING ANSI STANDARDS: Y14.3 MULTI AND SECTIONAL VIEW DIMS Y14.5 DIMENSIONING AND TOLERANCING	
TOLERANCES NOT SPECIFIED	SOLID EDGE DRAWING	DO NOT SCALE DRAWING FOR DIMENSIONS	
0.XXX ± .01	INCH	SHEET 4 OF 4	SCALE 1:1
0.XXX ± .005			
± .5			
<small>CONFIDENTIAL DISCLOSURE</small> This drawing is the property of POWERLEX of the SCOTT FETTER COMPANY and is subject to return on demand. Its contents are confidential and must not be copied or submitted to outside parties for use or examination.		AUTHOR	APPROVALS ON FILE IN PLM
FROM: 716345 MATERIAL: SEE PART NOTES		ASoulek	11/5/2018
DESCRIPTION: LAB OPEN SCROLL 15HP QUADPLEX WITH 240 GALLON TANK		DRAWING NUMBER: LSQI5A6	REVISION: B
			SIZE: D

