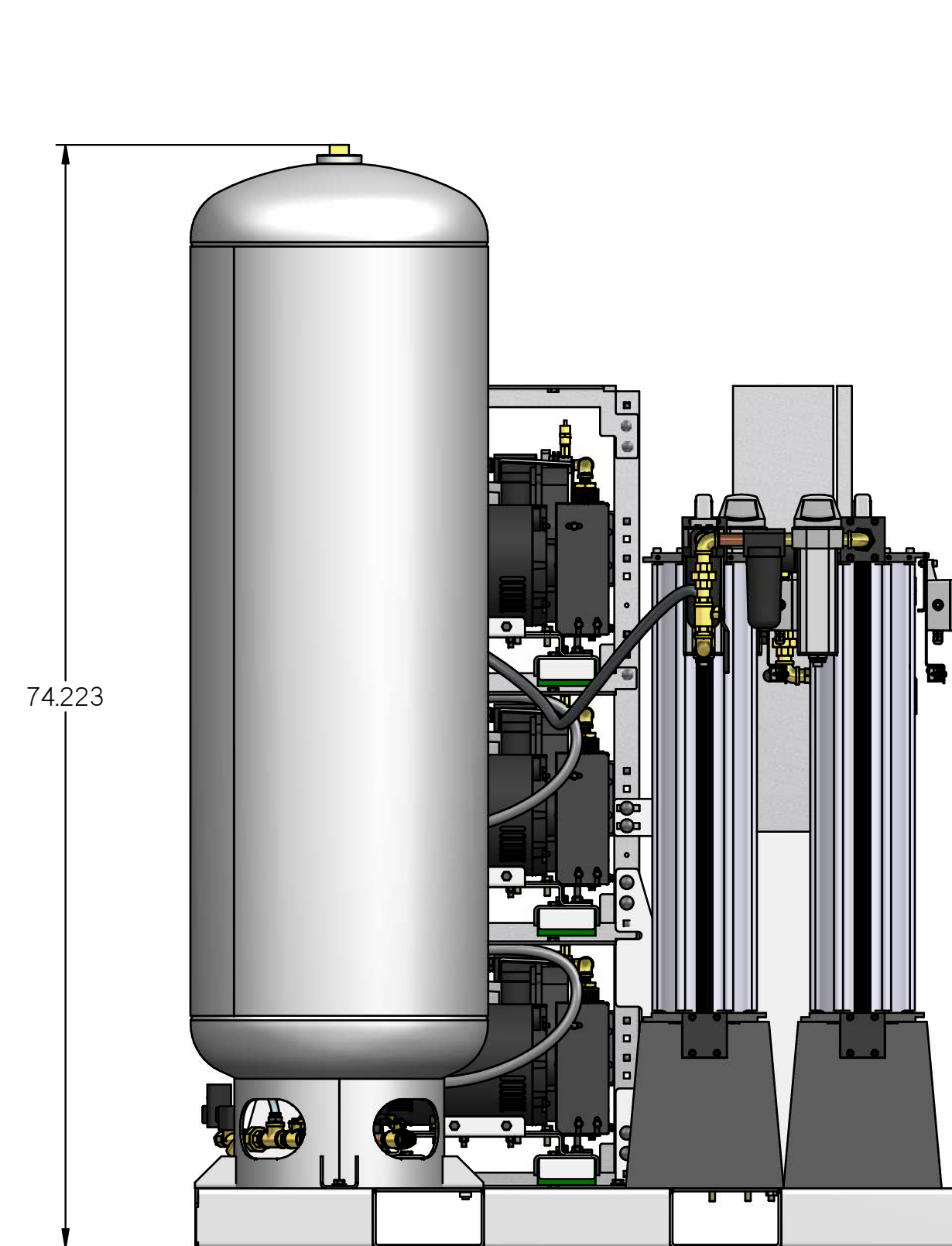
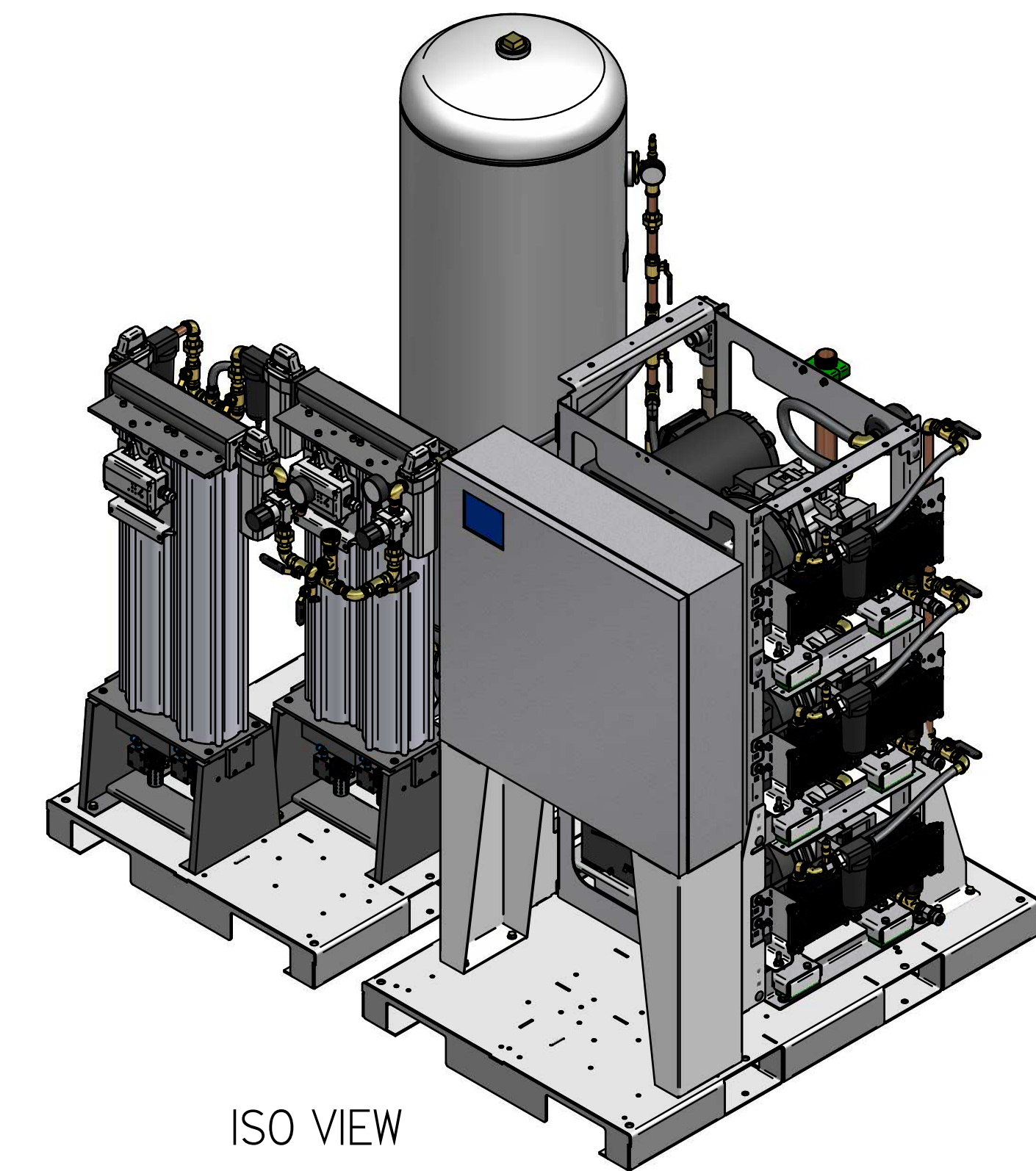
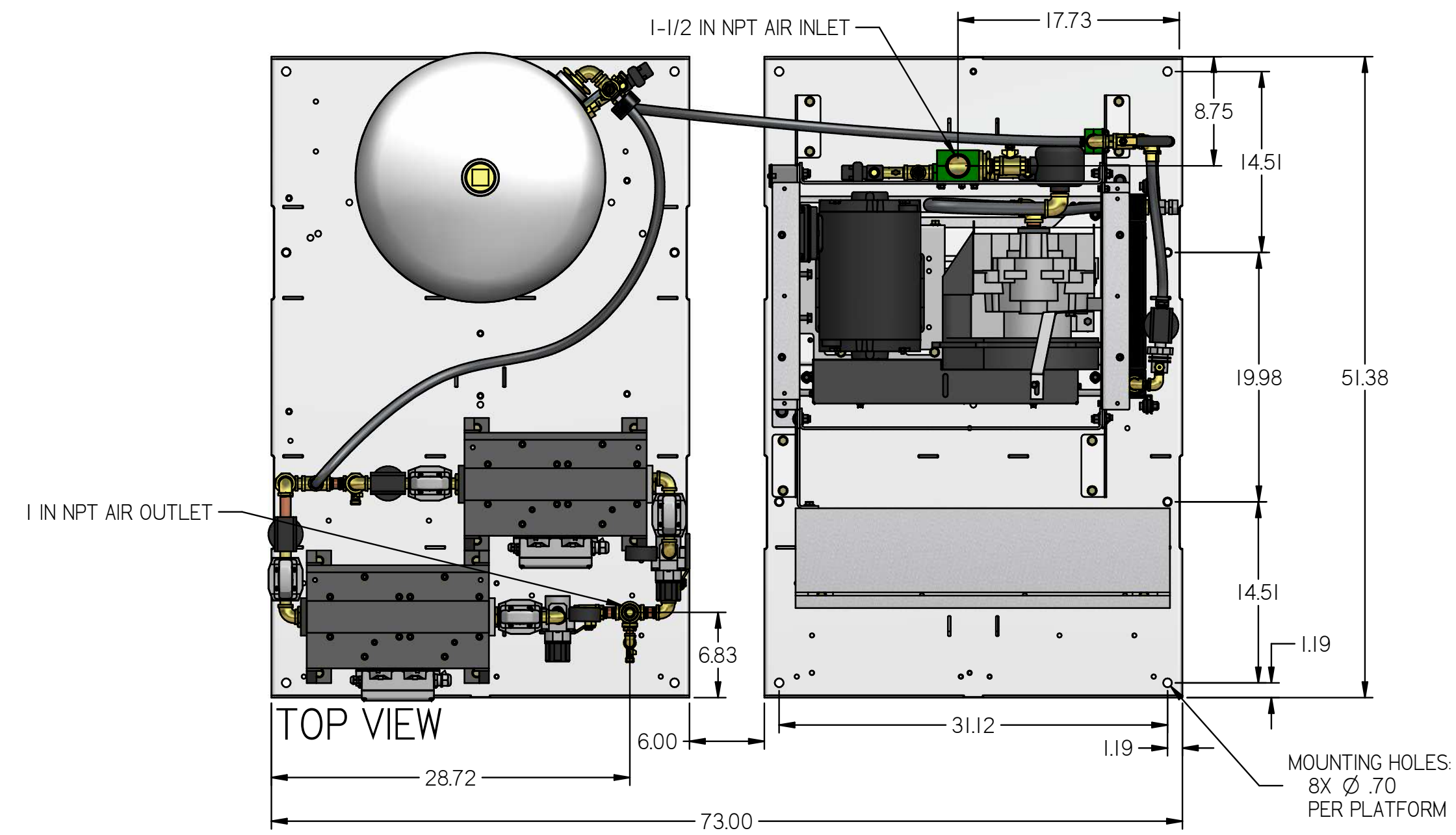


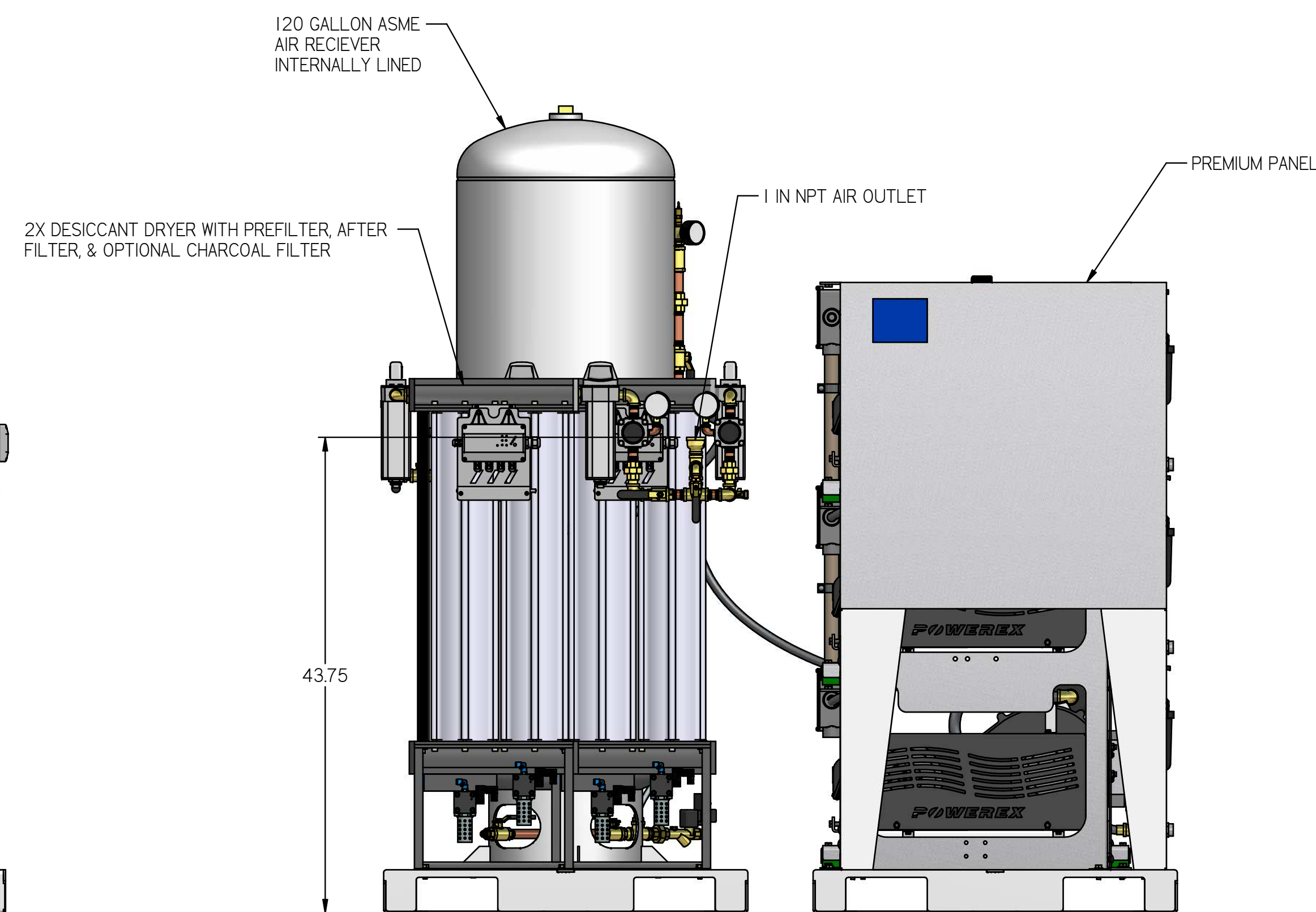
REVISION NOTES		
DESCRIPTION	ECN	PR/NOR
PRODUCTION RELEASE	PXECO169	N/A

LST05A3

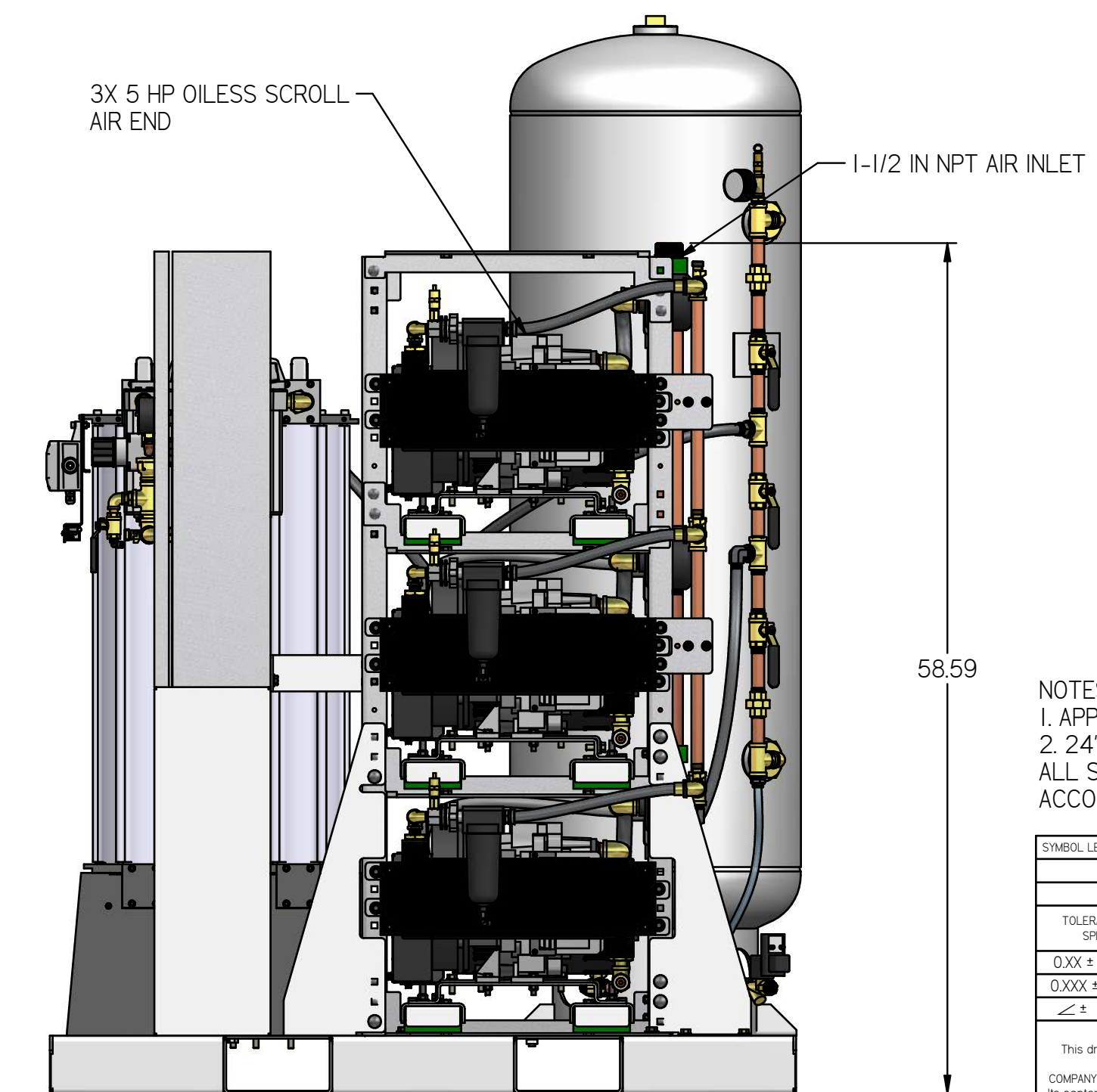
LAB OPEN SCROLL 5 HP
TRIPLEX WITH 80 GALLON
TANK



RIGHT VIEW



FRONT VIEW



LEFT VIEW

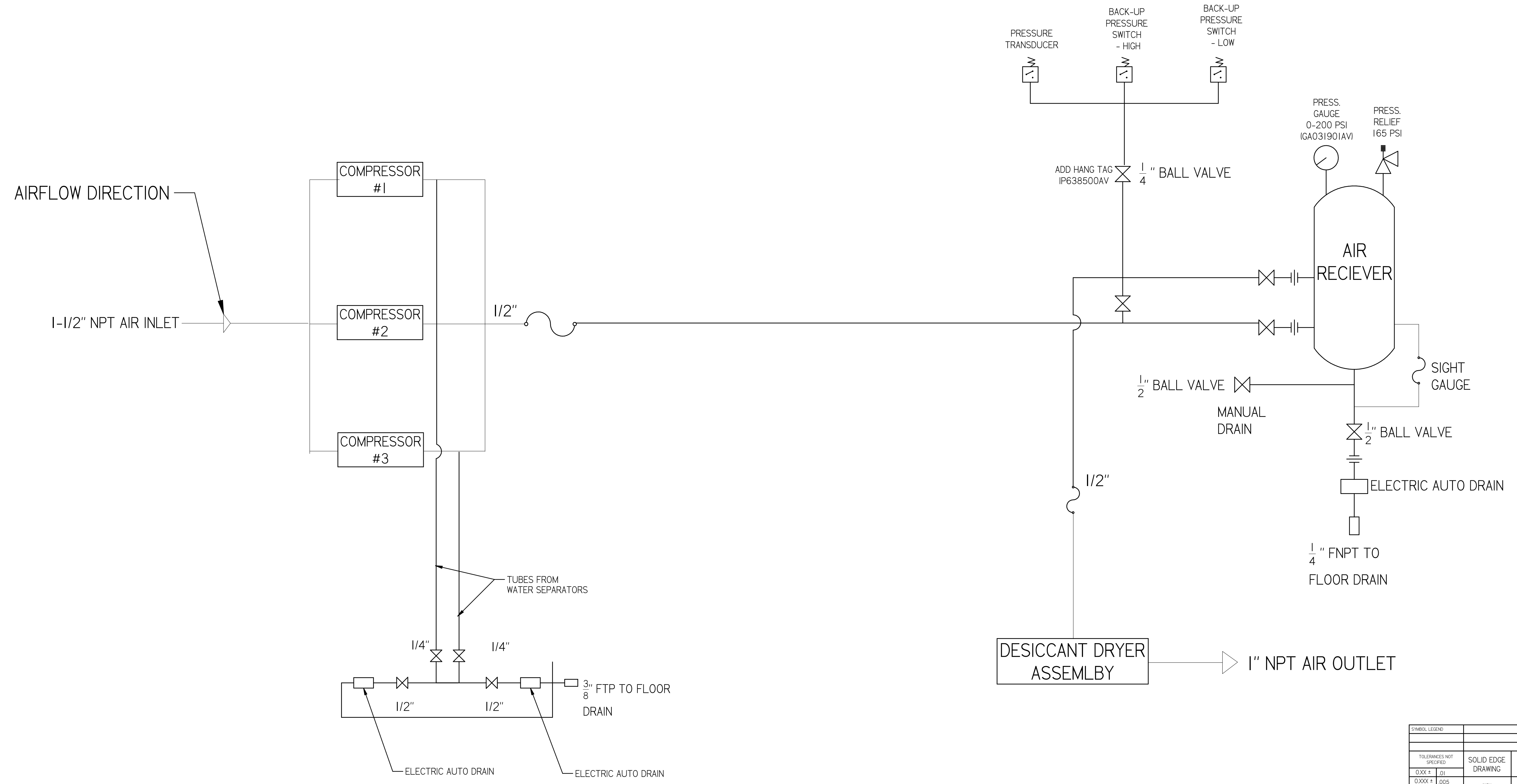
- NOTES:
- APPROX SYSTEM WEIGHT: 1764 LB
 - 24" MINIMUM MAINTENANCE CLEARANCE RECOMMENDED ALL SIDES. CLEARANCE FOR CONTROL PANELS SHALL BE IN ACCORDANCE WITH OSHA/NEC REQUIREMENTS

SYMBOL LEGEND		DRAWINGS TO CONFORM TO CURRENT REVISION OF THE FOLLOWING ANSI STANDARDS:	
TOLERANCES NOT SPECIFIED	SOLID EDGE DRAWING	Y14.3 MULTI AND SECTIONAL VIEW DIMS	Y14.5 DIMENSIONING AND TOLERANCING
0.00X ± .01	DRAWING	DO NOT SCALE DRAWING FOR DIMENSIONS	
0.00X ± .005		SHEET 1 OF 4	SCALE 1:10
CONFIDENTIAL DISCLOSURE: This drawing is the property of POWEREX of the SCOTT FETTER COMPANY and is subject to return on demand. Its contents are confidential and must not be copied or submitted to outside parties for use or examination.		AUTHOR	ORIGINATION DATE
POWEREX		ASoulek	10/11/2018
APPROVALS ON FILE IN PLM			
PART NUMBER		DRAWING NUMBER	
715931		LST05A3	
MATERIAL		REVISION	
SEE PART NOTES		A	
DESCRIPTION		SIZE	
LAB OPEN SCROLL 5 HP TRIPLEX WITH 80 GALLON TANK		D	

REVISION NOTES		
DESCRIPTION	ECN	PR/NOR
PRODUCTION RELEASE	PXECO169	N/A

LST05A3

LAB OPEN SCROLL 5 HP
TRIPLEX WITH 80 GALLON
TANK
SYSTEM
FLOW DIAGRAM

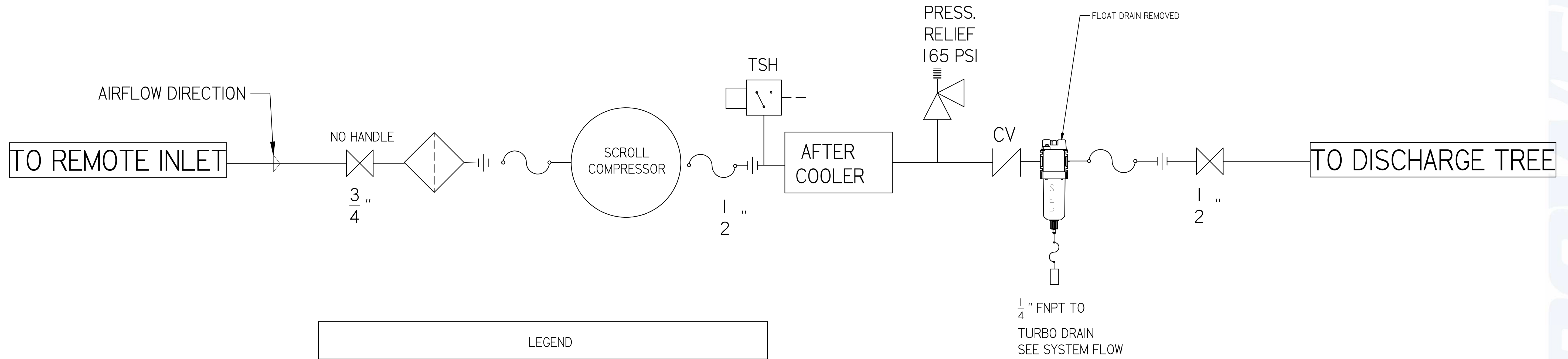


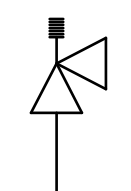
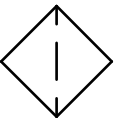
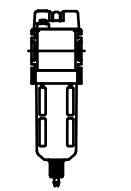

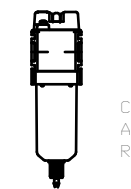

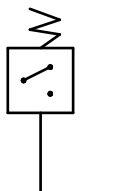
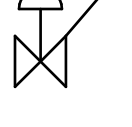
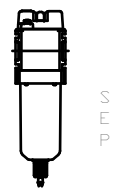

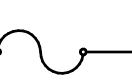
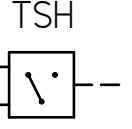
SYMBOL LEGEND		DRAWINGS TO CONFORM TO CURRENT REVISION OF THE FOLLOWING ANSI STANDARDS:	
		Y14.3 MULTI-VIEW AND SECTIONAL VIEW DIMS	
		Y14.5 DIMENSIONING AND TOLERANCING	
TOLERANCES NOT SPECIFIED	SOLID EDGE DRAWING	DO NOT SCALE DRAWING FOR DIMENSIONS	
0.001 ± .01	INCH	SHEET 2 OF 4	SCALE 1:1
0.005 ± .005			
0.010 ± .010			
<small>CONFIDENTIAL DISCLOSURE</small> This drawing is the property of POWEREX of the SCOTT FETTER COMPANY and is subject to return on demand. Its contents are confidential and must not be copied or submitted to outside parties for use or examination.		AUTHOR	ORIGINATION DATE
<small>CONFIDENTIAL DISCLOSURE</small> This drawing is the property of POWEREX of the SCOTT FETTER COMPANY and is subject to return on demand. Its contents are confidential and must not be copied or submitted to outside parties for use or examination.		ASoulek	10/11/2018
<small>CONFIDENTIAL DISCLOSURE</small> This drawing is the property of POWEREX of the SCOTT FETTER COMPANY and is subject to return on demand. Its contents are confidential and must not be copied or submitted to outside parties for use or examination.			
<small>CONFIDENTIAL DISCLOSURE</small> This drawing is the property of POWEREX of the SCOTT FETTER COMPANY and is subject to return on demand. Its contents are confidential and must not be copied or submitted to outside parties for use or examination.		<small>150 PRODUCTION DRIVE, HARRISON OH 45030 888-768-7079</small>	
ITEM NO:	715931	DRAWING NUMBER	LST05A3
MATERIAL:	SEE PART NOTES	REVISION	A
DESCRIPTION:	LAB OPEN SCROLL 5 HP TRIPLEX WITH 80 GALLON TANK	SIZE	D


REVISION NOTES		
DESCRIPTION	ECN	PR/NOR
PRODUCTION RELEASE	PXECO169	N/A

LST05A3

LAB OPEN SCROLL 5 HP
TRIPLEX WITH 80 GALLON
TANK
LAB COMPRESSOR
FLOW DIAGRAM



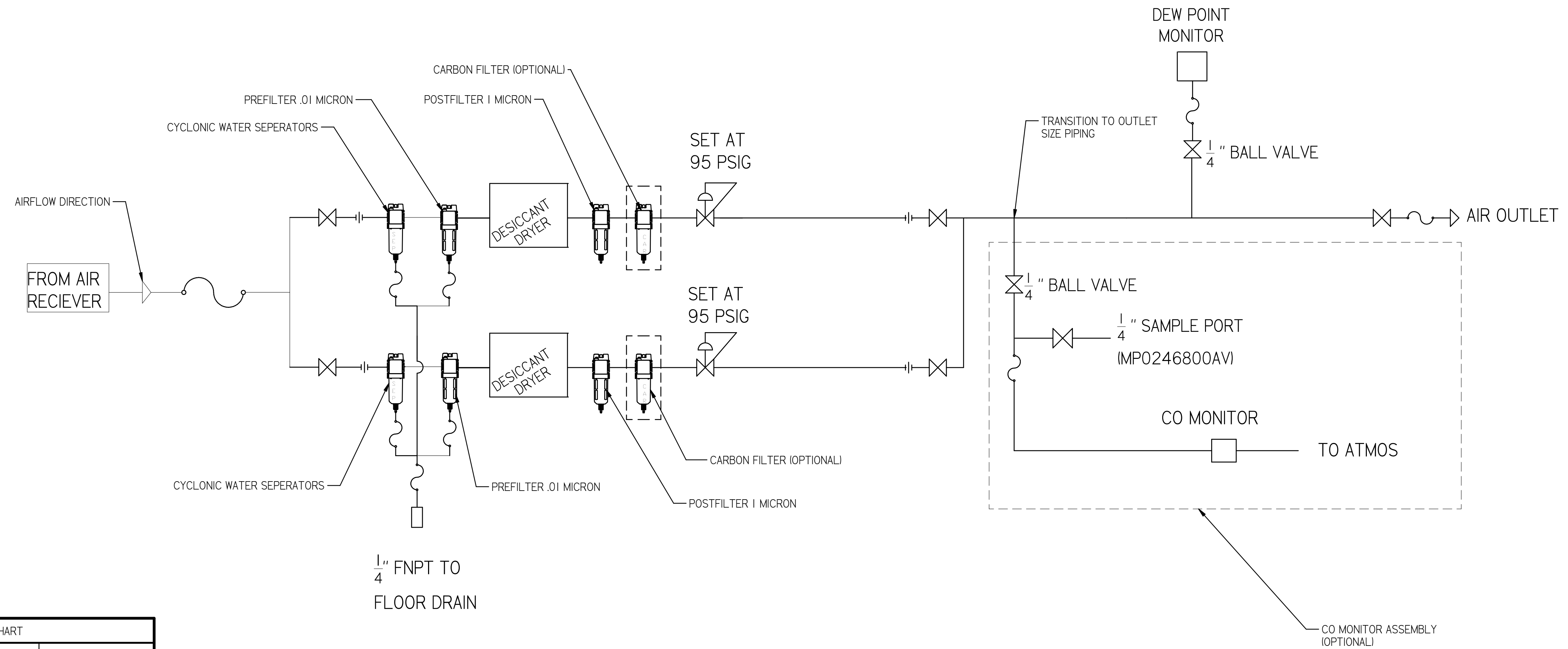
LEGEND	
	RELIEF VALVE
	INTAKE FILTER
	AIR FILTER
	3 WAY VALVE
	CARBON FILTER
	BALL VALVE
	PRESSURE SWITCH
	REGULATOR
	SEPARATOR
	CHECK VALVE
	FLEX LINE
	TSH HIGH TEMP SWITCH

SYMBOL LEGEND		DRAWINGS TO CONFORM TO CURRENT REVISION OF THE FOLLOWING ANSI STANDARDS:	
		Y14.3 MULTI AND SECTIONAL VIEW DWGS Y14.5 DIMENSIONING AND TOLERANCING	
TOLERANCES NOT SPECIFIED:	SOLID EDGE DRAWING	DO NOT SCALE DRAWING FOR DIMENSIONS	
0.001 ± .01	INCH	SHEET 3 OF 4	SCALE 1:1
0.0005 ± .005			
<small>CONFIDENTIAL DISCLOSURE</small> This drawing is the property of POWEREX of the SCOTT FETTER COMPANY and is subject to return on demand. Its contents are confidential and must not be copied or submitted to outside parties for use or examination.		AUTHOR	ORIGINATION DATE
<small>CONFIDENTIAL DISCLOSURE</small> This drawing is the property of POWEREX of the SCOTT FETTER COMPANY and is subject to return on demand. Its contents are confidential and must not be copied or submitted to outside parties for use or examination.		ASoulek	10/11/2018
TITLE: 715931			
MATERIAL: SEE PART NOTES		150 PRODUCTION DRIVE, HARRISON OH 45030 (888) 768-7079	
DESCRIPTION: LAB OPEN SCROLL 5 HP TRIPLEX WITH 80 GALLON TANK	DRAWING NUMBER: LST05A3	REVISION: A	SIZE: D

REVISION NOTES		
DESCRIPTION	ECN	PR/NOR
PRODUCTION RELEASE	PXECO169	N/A

LST05A3

LAB OPEN SCROLL 5 HP
TRIPLEX WITH 80 GALLON
TANK
LAB DRYER
FLOW DIAGRAM



PIPE SIZE CHART		
PUMP COUNT	DRYER PLUMBING SIZE	OUTLET PIPE SIZE
2	1/2"	1/2"
3	1/2"	1"
4	1"	1-1/4"
6	1"	1-1/2"
8	1"	1-1/2"
9	1"	1-1/2"
12	1-1/2"	2"
15	1-1/2"	2"
18	1-1/2"	2"

SYMBOL LEGEND		DRAWINGS TO CONFORM TO CURRENT REVISION OF THE FOLLOWING ANSI STANDARDS: Y14.3 MULTI AND SECTIONAL VIEW DIMS Y14.5 DIMENSIONING AND TOLERANCING	
TOLERANCES NOT SPECIFIED	SOLID EDGE DRAWING	DO NOT SCALE DRAWING FOR DIMENSIONS	
0.XXX ± .01	INCH	SHEET 4 OF 4	SCALE I:1
0.XXX ± .005			
CONFIDENTIAL DISCLOSURE This drawing is the property of POWERLEX of the SCOTT FETTER COMPANY and is subject to return on demand. Its contents are confidential and must not be copied or submitted to outside parties for use or examination.		AUTHOR	APPROVALS ON FILE IN PLM
ITEM NO: 715931		ASoulek	10/11/2018
MATERIAL: SEE PART NOTES			
DESCRIPTION: LAB OPEN SCROLL 5 HP TRIPLEX WITH 80 GALLON TANK		DRAWING NUMBER: LST05A3	REVISION: A SIZE: D

